



US00D787780S

(12) **United States Design Patent** (10) **Patent No.:** **US D787,780 S**  
**Pasko et al.** (45) **Date of Patent:** **\*\* May 30, 2017**

(54) **DISPOSABLE MEDICAL GOWN**

FOREIGN PATENT DOCUMENTS

(71) Applicant: **Medline Industries, Inc.**, Mundelein, IL (US)

CA 2343482 10/2001  
EM 001320857 3/2012

(Continued)

(72) Inventors: **Stephanie Pasko**, Des Plaines, IL (US);  
**Atieno Ouma**, New York, NY (US)

OTHER PUBLICATIONS

(73) Assignee: **Medline Industries, Inc.**, Northfield, IL (US)

Disposable Medical Gown | Elastic Cuffs | Salamint, posted at salamint.com, posting date n/a, © 2015 salamint.com, [online], [site visited Mar. 11, 2016], Available from <http://www.salamint.com/productdetail.aspx?id=358>.\*

(\*\*) Term: **14 Years**

(Continued)

(21) Appl. No.: **29/506,294**

*Primary Examiner* — Susan Bennett Hattan

*Assistant Examiner* — Jennifer Wright

(22) Filed: **Oct. 14, 2014**

(74) *Attorney, Agent, or Firm* — Philip H. Burrus, IV

(57) **CLAIM**

The ornamental design for a disposable medical gown, as shown and described.

**Related U.S. Application Data**

(63) Continuation of application No. 13/276,232, filed on Oct. 18, 2011.

**DESCRIPTION**

(51) **LOC (10) Cl.** ..... **02-01**

FIG. 1 is a rear elevation view of a disposable medical gown illustrating our new design;

(52) **U.S. Cl.**

FIG. 2 is a front, elevation view thereof;

USPC ..... **D2/720**

FIG. 3 is a rear elevation view of a user wearing the disposable medical gown in an untied configuration;

(58) **Field of Classification Search**

USPC ..... D2/601, 700-727, 728-741, 749, 755, D2/759, 760, 828-839, 840-850, 861, D2/921; D9/631

FIG. 4 is a rear elevation view of the user wearing the disposable medical gown in a tied configuration;

CPC ..... A41D 1/002; A41D 13/1281; A41D 13/1236; A41D 13/1209; A41D 13/12

FIG. 5 is a perspective view of another user wearing the disposable medical gown in a tied configuration; and,

See application file for complete search history.

FIG. 6 is another perspective view of the user of FIG. 5 wearing the disposable medical gown in the tied configuration.

(56) **References Cited**

The broken lines showing the human form depict environment only and form no part of the claimed design, while the remaining broken lines depict parts of the disposable medical gown that form no part of the claimed design. The broken lines immediately adjacent to the claimed areas represents the bounds of the claimed design.

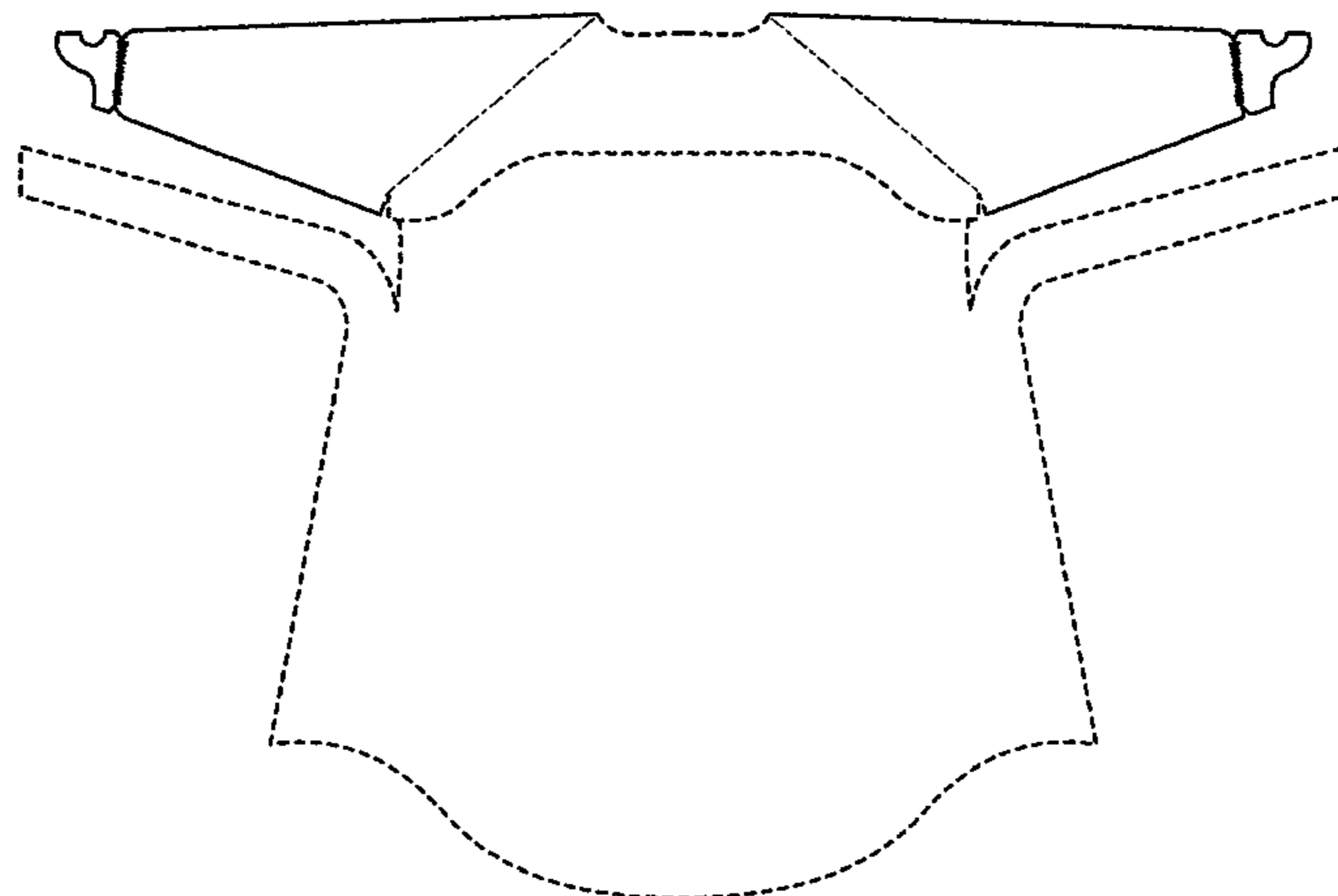
**U.S. PATENT DOCUMENTS**

371,353 A 10/1887 Perry  
842,224 A \* 1/1907 Mills ..... A41B 9/06 2/1

850,960 A 4/1907 O'Connor

(Continued)

**1 Claim, 6 Drawing Sheets**



(56)

References Cited

U.S. PATENT DOCUMENTS

884,063 A *	4/1908	Baldwin	.....	A41D 13/04	4,653,120 A	3/1987	Leaf	
				2/51	4,674,132 A	6/1987	Stein et al.	
1,506,332 A	8/1924	Bloom			4,686,715 A	8/1987	Price	
1,980,435 A	11/1934	Reagan			4,705,171 A	11/1987	Eldridge	
D108,151 S	1/1938	Cairns			4,718,124 A	1/1988	Sawicki et al.	
2,172,162 A	8/1939	Gillette			4,736,467 A	4/1988	Schwarze et al.	
2,292,347 A	8/1942	Bailey			4,783,854 A	11/1988	Bjorklund	
D136,385 S	9/1943	Pons			4,829,602 A	5/1989	Harreld et al.	
D136,386 S	9/1943	Pons			D305,376 S	1/1990	Russell	
2,374,643 A	5/1945	Boettcher			D305,575 S	1/1990	Gordon et al.	
D146,506 S	3/1947	Kenny			4,905,710 A	3/1990	Jones	
2,430,941 A	11/1947	Long			4,920,578 A	5/1990	Janzen et al.	
2,431,466 A	11/1947	Barri			4,942,987 A	7/1990	Stackhouse	
2,556,931 A	6/1951	Miller			4,951,317 A	8/1990	Gray et al.	
2,653,324 A	8/1953	McMahon			4,951,318 A	8/1990	Harreld et al.	
2,668,294 A	2/1954	Gilpin			4,964,173 A	10/1990	Gordon	
2,673,347 A	3/1954	Weiss			4,969,215 A	11/1990	Burkett	
2,825,902 A	3/1958	Breier			5,010,592 A	4/1991	Skiles, Jr.	
D193,132 S	7/1962	Rhoads et al.			5,027,438 A	7/1991	Schwarze et al.	
3,129,432 A	4/1964	Belkin			5,029,344 A	7/1991	Shannon et al.	
3,130,416 A	4/1964	Mitchell			5,033,115 A	7/1991	Bowling et al.	
3,130,462 A	4/1964	Mitchell			5,042,507 A	8/1991	Dowdy	
3,144,661 A	8/1964	Buser			5,061,246 A	10/1991	Anapliotis	
3,229,305 A	1/1966	Nevitt			5,063,919 A	11/1991	Silverberg	
3,276,036 A	10/1966	Carter et al.			5,074,316 A	12/1991	Dowdy	
D208,527 S *	9/1967	Grengg	.....	2/48	5,088,116 A	2/1992	Gould	
3,359,569 A	12/1967	Scrivens			5,097,534 A	3/1992	Viemeister et al.	
3,397,406 A	8/1968	Leach			5,109,873 A	5/1992	Marshall	
3,399,406 A	9/1968	Bradley			5,135,188 A	8/1992	Anderson et al.	
3,429,433 A	2/1969	Holt			5,136,758 A	8/1992	Wilcox et al.	
3,451,062 A	6/1969	Bradley			5,184,351 A	2/1993	Benstock	
3,540,441 A	11/1970	Collins			5,271,100 A	12/1993	Holt	
3,625,206 A	12/1971	Charnley			D348,974 S *	7/1994	Whitwill	..... D2/720
3,696,443 A	10/1972	Taylor			D351,712 S *	10/1994	Jackson	..... D2/720
3,707,964 A	1/1973	Patience et al.			5,362,306 A	11/1994	McCarver et al.	
3,721,997 A	3/1973	Mundt			5,372,589 A	12/1994	Davis	
3,721,999 A	3/1973	Goya et al.			5,377,387 A	1/1995	Freed	
3,803,640 A	4/1974	Ericson			D356,204 S *	3/1995	Derrickson	..... D2/720
3,824,625 A	7/1974	Green			5,410,758 A	5/1995	Dupont et al.	
D233,634 S	11/1974	Snider			5,414,867 A	5/1995	Bowling et al.	
3,858,243 A	1/1975	Pierron et al.			5,444,872 A	8/1995	Johnson	
3,868,728 A	3/1975	Krzewinski			5,444,873 A	8/1995	Levin	
3,881,476 A	5/1975	Bolker et al.			D362,331 S	9/1995	Berger, II	
D236,293 S *	8/1975	Banks	.....	2/114	5,454,119 A	10/1995	Thomm	
3,921,221 A	11/1975	Zoepfel			5,533,209 A	7/1996	Davis	
3,935,596 A	2/1976	Allen, Jr. et al.			D374,113 S	10/1996	Console	
3,952,373 A	4/1976	Noorily			5,561,861 A	10/1996	Lopez et al.	
3,968,792 A	7/1976	Small			5,575,006 A	11/1996	Wolfe	
3,989,040 A	11/1976	Lofgren et al.			5,605,534 A	2/1997	Hutchison	
4,000,521 A	1/1977	Zoepfel et al.			5,611,356 A	3/1997	Rothrum	
4,017,909 A	4/1977	Brandriff			5,674,189 A	10/1997	McDowell et al.	
4,040,124 A	8/1977	Zoepfel			5,694,643 A	12/1997	Fujiwara	
4,119,093 A	10/1978	Goodman			5,707,703 A	1/1998	Rothrum et al.	
4,119,095 A	10/1978	Lewis			5,765,566 A	6/1998	Rothrum	
4,153,054 A	5/1979	Boone			5,768,707 A	6/1998	Lederer	
4,171,542 A	10/1979	Cox et al.			5,784,718 A	7/1998	Finnegan	
D254,276 S	2/1980	Behrmann			5,806,094 A	9/1998	Kasun et al.	
4,214,320 A	7/1980	Belkin			5,813,051 A	9/1998	Counter	
RE30,520 E	2/1981	Pierron			5,813,052 A	9/1998	Taylor	
4,290,148 A	9/1981	Roberts			5,862,525 A	1/1999	Tankersley et al.	
4,308,864 A	1/1982	Small et al.			5,867,825 A	2/1999	Scheerer	
D267,830 S	2/1983	Arnseth et al.			5,975,082 A	11/1999	Dowdy	
4,384,573 A	5/1983	Elliott			5,985,395 A	11/1999	Comstock et al.	
4,476,587 A	10/1984	Itoi			D419,748 S	2/2000	Sartori	
4,476,860 A	10/1984	Collins et al.			6,049,907 A	4/2000	Palomo	
4,479,492 A	10/1984	Singer			6,062,444 A	5/2000	Tankersley et al.	
4,504,977 A	3/1985	King et al.			6,115,840 A	9/2000	Hastings	
4,523,335 A	6/1985	Scrivens			D431,344 S	10/2000	Briceno	
4,535,481 A	8/1985	Ruth-Larson et al.			6,138,278 A	10/2000	Taylor	
4,561,126 A	12/1985	Truman			6,196,033 B1	3/2001	Dowdle	
4,569,341 A	2/1986	Morris			6,216,270 B1	4/2001	Moquin et al.	
4,570,268 A	2/1986	Freeman			6,235,659 B1	5/2001	McAmish et al.	
4,622,699 A	11/1986	Spriggs			6,272,685 B1	8/2001	Kumar	
4,627,427 A	12/1986	Arco			6,378,136 B2	4/2002	Matsushita	
4,631,756 A	12/1986	Scrivens			D463,093 S	9/2002	Murray	
					D469,945 S	2/2003	Mayer	
					6,536,636 B1	3/2003	McDonniel	
					6,564,386 B2	5/2003	Fujikawa et al.	
					6,601,239 B2	8/2003	Drake	

(56)

References Cited

U.S. PATENT DOCUMENTS

6,665,880 B2 12/2003 Poppe  
 6,694,981 B2 2/2004 Gingles et al.  
 6,990,686 B2 1/2006 Palmer  
 7,114,500 B2 10/2006 Bonutti  
 D533,982 S \* 12/2006 Graneto, III ..... D2/720  
 7,181,773 B1 2/2007 Piraka  
 7,237,271 B1 7/2007 McLandrich  
 7,290,547 B2 11/2007 Hare et al.  
 D563,627 S 3/2008 Warren  
 D565,279 S 4/2008 Farrell  
 7,370,369 B2 5/2008 Cheung  
 7,412,728 B2 8/2008 Alesina et al.  
 D575,936 S 9/2008 Fenderson et al.  
 D579,178 S 10/2008 Snyder et al.  
 7,454,798 B2 11/2008 Feodoroff  
 D584,483 S 1/2009 Glynn  
 7,549,179 B1 6/2009 Saied  
 D598,638 S \* 8/2009 Graneto, III ..... D2/720  
 7,594,279 B2 9/2009 Roy  
 D608,980 S 2/2010 Brady  
 7,654,266 B2 2/2010 Corbitt, Jr.  
 D612,126 S 3/2010 Milgrom  
 D618,884 S 7/2010 Zhu  
 D622,479 S 8/2010 Herzog  
 D622,934 S \* 9/2010 Graneto, III ..... D2/720  
 7,819,911 B2 10/2010 Anderson et al.  
 7,841,020 B2 11/2010 Mayfield et al.  
 7,971,274 B2 7/2011 Graneto, III  
 8,006,836 B2 8/2011 Trombetta  
 D646,463 S 10/2011 Petrovskis et al.  
 D647,688 S 11/2011 Hilgart  
 8,056,146 B2 11/2011 Porowski  
 8,069,495 B2 12/2011 Kemper  
 D653,019 S 1/2012 Bond  
 D655,479 S 3/2012 Umbach et al.  
 D657,530 S 4/2012 Farris et al.  
 8,162,137 B2 4/2012 Vellutato, Jr. et al.  
 8,286,263 B2 10/2012 Sampson-Howlett  
 8,332,965 B1 12/2012 Ryer  
 8,343,182 B2 1/2013 Kirkham  
 8,375,466 B2 2/2013 Tasezen et al.  
 D680,709 S 4/2013 Blood  
 8,464,374 B1 6/2013 Thayer  
 D687,209 S 8/2013 Levine  
 D690,078 S \* 9/2013 Anderson ..... D2/720  
 D698,529 S 2/2014 Vanneste  
 8,677,513 B2 3/2014 Mathis et al.  
 D719,721 S 12/2014 Bonfiglio  
 D721,870 S 2/2015 Levine  
 D736,493 S \* 8/2015 Pasko ..... D2/720  
 D737,546 S \* 9/2015 Sewall ..... D2/861  
 D741,044 S \* 10/2015 Pasko ..... D2/720  
 2001/0032346 A1 10/2001 Matsushita et al.  
 2002/0095709 A1 7/2002 Fujikawa et al.  
 2003/0121522 A1 7/2003 Gingles et al.  
 2003/0131401 A1 7/2003 Dilworth  
 2004/0019951 A1 2/2004 Cioffi  
 2004/0103904 A1 6/2004 Auerbach et al.  
 2004/0123366 A1 7/2004 Schorr et al.  
 2005/0044608 A1 3/2005 Ambrose et al.  
 2005/0132465 A1 6/2005 Kathumbi-Jackson et al.  
 2005/0223468 A1 10/2005 Hatton  
 2006/0000002 A1 1/2006 Bergkvist  
 2006/0064797 A1 3/2006 Pyeatt Rowe  
 2006/0107434 A1 5/2006 Rowe  
 2006/0117452 A1 6/2006 Ambrose  
 2006/0117456 A1 6/2006 Griesbach  
 2006/0177655 A1 8/2006 Mizohata et al.  
 2006/0236440 A1 10/2006 Zahler  
 2006/0277655 A1 12/2006 Kerr  
 2006/0286334 A1 12/2006 Harpole  
 2007/0130668 A1 6/2007 Berman et al.  
 2008/0006279 A1 1/2008 Bodenham et al.  
 2008/0115253 A1 5/2008 Gorman  
 2008/0155728 A1 7/2008 Hafer et al.

2008/0178365 A1 7/2008 Furgerson et al.  
 2009/0165186 A1 7/2009 Mijares et al.  
 2009/0320177 A1 12/2009 Lin et al.  
 2010/0031966 A1 2/2010 Allen  
 2010/0064408 A1 3/2010 Kemper  
 2010/0138975 A1 6/2010 Jordan et al.  
 2010/0212063 A1 8/2010 Baucom et al.  
 2010/0299805 A1 12/2010 Graneto, III  
 2010/0300459 A1 12/2010 Lair  
 2011/0024485 A1 2/2011 Porowski  
 2011/0154554 A1 6/2011 Furlong  
 2011/0167534 A1 7/2011 Wong et al.  
 2011/0231981 A1 9/2011 Appel et al.  
 2011/0315150 A1 12/2011 Bream, Jr.  
 2012/0047623 A1 3/2012 can Oudenallen et al.  
 2012/0054940 A1 3/2012 Halseth  
 2012/0060257 A1 3/2012 Herzog  
 2012/0124722 A1 5/2012 Yadav et al.  
 2012/0305541 A1 12/2012 Giles  
 2012/0312308 A1 12/2012 Allen  
 2013/0091615 A1 \* 4/2013 Pasko ..... A41D 13/12  
 2/114  
 2013/0091616 A1 4/2013 Muche et al.  
 2013/0191960 A1 \* 8/2013 Pasko ..... A41D 13/12  
 2/114  
 2013/0198930 A1 8/2013 Levine  
 2013/0276204 A1 10/2013 Pasko et al.  
 2013/0318682 A1 \* 12/2013 Graneto, III ..... A41D 13/1236  
 2/114  
 2014/0007316 A1 1/2014 Tommarello et al.  
 2014/0082816 A1 3/2014 Christopher  
 2014/0173814 A1 6/2014 Yadav et al.  
 2014/0182043 A1 7/2014 Moore  
 2014/0189931 A1 7/2014 Fredrickson  
 2014/0215681 A1 8/2014 Goodman  
 2015/0089712 A1 4/2015 Gamble  
 2015/0096099 A1 4/2015 Vanneste  
 2015/0113698 A1 4/2015 Gregersen-Brown  
 2015/0135397 A1 \* 5/2015 Levine ..... A41D 13/1236  
 2/114  
 2015/0135398 A1 \* 5/2015 Czajka ..... A41D 13/12  
 2/114  
 2015/0208741 A1 7/2015 Pasko  
 2015/0213215 A1 \* 7/2015 Kobayashi ..... A61B 6/548  
 705/2

FOREIGN PATENT DOCUMENTS

EP 143204 6/1985  
 EP 0335041 10/1989  
 EP 335041 10/1989  
 EP 1407324-0001 5/2014  
 EP 1407324-0002 5/2014  
 EP 1407324-0003 5/2014  
 EP 1407324-0004 5/2014  
 KR 101116311 3/2012  
 WO WO-2008/146138 12/2008

OTHER PUBLICATIONS

Disposable Medical Gown | Thumb Loop Plastic Disposable Medical Surgical Gown, posted at alibaba.com, posting date n/a, © 1999-2016 alibaba.com, [online], [site visited Mar. 11, 2016, Available from [http://www.alibaba.com/product-detail/CPE-Gown-Thumb-loop-White-color\\_60043196775.html](http://www.alibaba.com/product-detail/CPE-Gown-Thumb-loop-White-color_60043196775.html).\*  
 Vanatta, Amy "Non-Final Office Action", U.S. Appl. No. 12/720,360, filed Mar. 9, 2010; Mailed Oct. 11, 2011.  
 Harris, Raymond E., "Non-Final Office Action", U.S. Appl. No. 12/537,961, filed Aug. 7, 2009; Mailed Nov. 9, 2011.  
 Vanatta, Amy B., "Notice of Allowance", U.S. Appl. No. 12/720,360, filed Mar. 9, 2012; Mailed Feb. 9, 2012.  
 Harris, Raymond E., "Final Office Action", U.S. Appl. No. 12/537,961, filed Aug. 7, 2009; Mailed Apr. 11, 2012.  
 Harris, Raymond E., "NonFinal OA", U.S. Appl. No. 12/537,961, filed Aug. 17, 2009; Mailed Jul. 17, 2012.

(56)

## References Cited

## OTHER PUBLICATIONS

- Lee, Cheol Soo "International Search Report", PCT/US2012/032122; Filed Apr. 4, 2012; Mailed Nov. 1, 2012.
- Harris, Raymond E., "Final OA", U.S. Appl. No. 12/537,961, filed Aug. 7, 2009; Mailed Nov. 21, 2012.
- Byun, Sung C., "PCT Search Report", PCT No. PCT/US2012/052079; Filed Aug. 23, 2012; Mailed Dec. 26, 2012.
- Chang, Bong Ho "PCT Search Report and Written Opinion", PCT/US2012/054659; Filed Sep. 11, 2012; Mailed Feb. 26, 2013.
- Haden, Sally C., "NonFinal OA", U.S. Appl. No. 13/276,232, filed Oct. 18, 2011; Mailed Apr. 8, 2013.
- Hicks, Victoria "NonFinal OA", U.S. Appl. No. 13/116,473, filed May 26, 2011; Mailed May 16, 2013.
- Haden, Sally C., "Final OA", U.S. Appl. No. 13/276,232, filed Oct. 18, 2011; Mailed Jul. 17, 2013.
- Haden, Sally C., "NonFinal OA", U.S. Appl. No. 13/925,617, filed Jun. 24, 2013; Mailed Aug. 14, 2013.
- Hicks, Victoria "Final OA", U.S. Appl. No. 13/116,473, filed May 26, 2011; Mailed Nov. 22, 2013.
- Haden, Sally C., "Final OA", U.S. Appl. No. 13/925,617, filed Jun. 24, 2013; Mailed Dec. 3, 2013.
- Haden, Sally C., "Final OA", U.S. Appl. No. 13/925,617, filed Jun. 24, 2007; Mailed Dec. 3, 2013.
- Hicks, Victoria "NonFinal OA", U.S. Appl. No. 13/229,743, filed Sep. 11, 2011; Mailed Feb. 10, 2014.
- Hicks, Victoria "NonFinal OA", U.S. Appl. No. 13/589,640, filed Aug. 20, 2012; Mailed Jun. 13, 2014.
- Fitts, Carissa "NonFinal OA", U.S. Appl. No. 29/404,295, filed Oct. 18, 2011; Mailed Jul. 1, 2014.
- Lee, Jong Kyung "PCT Search Report and Written Opinion", PCT/US2014/023432, filed Mar. 11, 2014; Mailed Jul. 10, 2014.
- Hicks, Victoria "Final OA", U.S. Appl. No. 13/229,743, filed Sep. 11, 2011; Mailed Aug. 7, 2014.
- Haden, Sally C., "NonFinal OA", U.S. Appl. No. 13/925,617, filed Jun. 24, 2013; Mailed Aug. 13, 2014.
- Fitts, Carissa "NonFinal OA", U.S. Appl. No. 29/404,296, filed Oct. 8, 2011; Mailed Oct. 9, 2014.
- Blue Medical Gown; Manufactured by Medline Industries, Inc.; Unknown availability date but believed to be prior to 1999.
- Fitts, Carissa "Final OA", U.S. Appl. No. 29/404,295, filed Oct. 18, 2011; Mailed Feb. 19, 2015.
- McVey, Lauren "NonFinal OA", U.S. Appl. No. 29/459,047, filed Jun. 25, 2013; Mailed Apr. 23, 2015.
- McVey, Lauren "Notice of Allowance", U.S. Appl. No. 29/459,060, filed Jun. 25, 2013; Mailed Apr. 23, 2015.
- McVey, Lauren D., "NonFinal OA", U.S. Appl. No. 29/467,619, filed Sep. 20, 2013; Mailed May 20, 2015.
- "Publication", *Fashion Flats by Garment Element; By Art Design Projects Inc.*; www.fashioncroquis.com; visited May 21, 2015; types of raglan sleeves.
- Fashion Flats*, <URL: [http://fashion-flats.com/images/1\\_details\\_set\\_in\\_sleeves.jpg](http://fashion-flats.com/images/1_details_set_in_sleeves.jpg)> Visited by Examiner May 21, 2015; Types of set-in sleeves.
- The visual dictionary*. <RURL: [http://www.infovisual.info/06/049\\_en.html](http://www.infovisual.info/06/049_en.html)> Jun. 1, 2013. types of cuffs.
- McVey, Lauren "NonFinal OA", U.S. Appl. No. 29/467,612, filed Sep. 20, 2013; Mailed Jun. 5, 2015.
- McVey, Lauren "Notice of Allowance", U.S. Appl. No. 29/467,620, filed Sep. 20, 2015; Mailed Jun. 23, 2015.
- McVey, Lauren "NonFinal OA", U.S. Appl. No. 29/467,603, filed Sep. 30, 2015; Mailed Jun. 30, 2015.
- Fitts, Carissa "Final OA", U.S. Appl. No. 29/404,296, filed Oct. 18, 2011; Mailed Jul. 2, 2015.
- McVey, Lauren "NonFinal OA", U.S. Appl. No. 29/467,625, filed Sep. 20, 2013; Mailed Jul. 29, 2015.
- McVey, Lauren "NonFinal OA", U.S. Appl. No. 29/467,616, filed Sep. 20, 2013; Mailed Jun. 17, 2015.
- Cline, Sally "Restriction Req", U.S. Appl. No. 13/804,565, filed Mar. 14, 2013; Mailed Aug. 13, 2015.
- McVey, Lauren "NonFinal OA", U.S. Appl. No. 29/467,621, filed Sep. 20, 2013; Mailed Aug. 26, 2015.
- Wu, Jocelyn Mary "NonFinal OA", U.S. Appl. No. 14/086,798, filed Nov. 21, 2013; Mailed Sep. 24, 2015.
- McVey, Lauren "Final OA", U.S. Appl. No. 29/459,047, filed Jun. 25, 2013; Mailed Sep. 24, 2015.
- McVey, Lauren "Final OA", U.S. Appl. No. 29/467,619, filed Sep. 20, 2013; Mailed Oct. 20, 2015.
- Haden, Sally C., "NonFinal OA", U.S. Appl. No. 13/804,565, filed Mar. 14, 2013; Mailed Oct. 29, 2015.
- McVey, Lauren "Final OA", U.S. Appl. No. 29/467,616, filed Sep. 20, 2013; Mailed Nov. 3, 2015.
- Haden, Sally "NonFinal OA", U.S. Appl. No. 13/925,598, filed Jun. 24, 2013; Mailed Dec. 15, 2015.
- Fitts, Carissa "NonFinal OA", U.S. Appl. No. 29/467,622, filed Sep. 20, 2013; Mailed Dec. 30, 2015.
- Haden, Sally "NonFinal OA", U.S. Appl. No. 13/925,532, filed Jun. 24, 2013; Mailed Jan. 8, 2016.
- Fitts, Carissa "NonFinal OA", U.S. Appl. No. 29/467,623, filed Sep. 20, 2013; Mailed Jan. 13, 2016.
- Walshon, Rashida "NonFinal OA", U.S. Appl. No. 29/506,290, filed Oct. 14, 2014; Mailed Jan. 20, 2016.
- "Final OA", U.S. Appl. No. 14/086,798, filed Nov. 21, 2013; Mailed Feb. 1, 2016.
- Rakuten. <URL: [http://global.rakuten.com/en/store/753ya/item/100131328/\[2/4/2016%201:51:48%20PM\]](http://global.rakuten.com/en/store/753ya/item/100131328/[2/4/2016%201:51:48%20PM])>. Visited Feb. 4, 2016.
- Hada-Juban.
- Vintage Patterns Wikia. <URL: [https://vintagepatterns.wikia.com/wiki/Butterick\\_5374](https://vintagepatterns.wikia.com/wiki/Butterick_5374)> visited Dec. 9, 2015. Butterick 5374—Vintage Sewing Blouse Pattern.
- Jendela Sastra. <URL: <http://www.jendelasatra.com/karya/puisi/hadajuban-dalam-kimono>>. Poem with picture published Jan. 10, 2014. Hadajuban (first layer of kimono).
- Sakura-San. <URL: <http://www.sakura-san.de/Juban.htm>> Saved Jul. 12, 2013. Juban Furisode and Hada-Juban layers for kimono.
- Go Japan Go. <URL: [http://www.gojapangp.com/fashion/hadajuban\\_kimono.html](http://www.gojapangp.com/fashion/hadajuban_kimono.html)>. Visited Feb. 4, 2016. Hadajuban.
- McVey, Lauren "Final OA", U.S. Appl. No. 29/467,603, filed Sep. 20, 2013; Mailed Feb. 10, 2016.
- McVey, Lauren "Final OA", U.S. Appl. No. 29/467,621, filed Sep. 20, 2013; Mailed Apr. 11, 2016.
- Fitts, Carissa "NonFinal OA", U.S. Appl. No. 29/404,296, filed Oct. 18, 2011; Mailed Apr. 22, 2016.
- Definition of Progressive. Merriam-Webster. Merriam-Webster, n.d. Web. May 17, 2016.
- Haden, Sally C., "Final OA", U.S. Appl. No. 13/804,565, filed Mar. 14, 2013; Mailed May 19, 2016.
- Haden, Sally Cline "NonFinal OA", U.S. Appl. No. 13/925,532, filed Jun. 24, 2013; Mailed May 23, 2016.
- Haden, Sally Cline "NonFinal OA", U.S. Appl. No. 13/925,598, filed Jun. 24, 2013; Mailed May 24, 2016.
- Haden, Sally Cline "Final OA", U.S. Appl. No. 13/925,532, filed Jun. 24, 2013; Mailed Sep. 26, 2016.
- Fitts, Carissa "Notice of Allowance", U.S. Appl. No. 29/404,296, filed Oct. 18, 2011; Mailed Oct. 7, 2016.
- McVey, Lauren "Notice of Allowance", U.S. Appl. No. 29/459,047, filed Jun. 25, 2013; Mailed Oct. 19, 2016.
- McVey, Lauren "Notice of Allowance", U.S. Appl. No. 29/467,621, filed Sep. 20, 2013; Mailed Oct. 20, 2016.
- "Appeal Decision", U.S. Appl. No. 13/276,232, filed Oct. 18, 2011; Mailed May 31, 2016.
- "Final OA", U.S. Appl. No. 29/467,622, filed Sep. 20, 2013; Mailed Jul. 12, 2016.
- Walshon, Rashida "Final OA", U.S. Appl. No. 29/506,290, filed Oct. 14, 2014; Mailed Jul. 28, 2016.
- McVey, Lauren "Notice of Allowance", U.S. Appl. No. 29/467,616, filed Sep. 20, 2013; Mailed Aug. 10, 2016.
- McVey, Lauren "Notice of Allowance", U.S. Appl. No. 29/459,047, filed Jun. 25, 2013; Mailed Nov. 11, 2016.
- Haden, Sally "NonFinal OA", U.S. Appl. No. 13/276,232, filed Oct. 18, 2011; Mailed Aug. 11, 2016.
- McVey, Lauren "Notice of Allowance", U.S. Appl. No. 29/467,623, filed Sep. 20, 2013; Mailed Aug. 30, 2016.

(56)

**References Cited**

OTHER PUBLICATIONS

Haden, Sally "Final OA", U.S. Appl. No. 13/925,598, filed Jun. 24, 2013; Mailed Sep. 6, 2016.

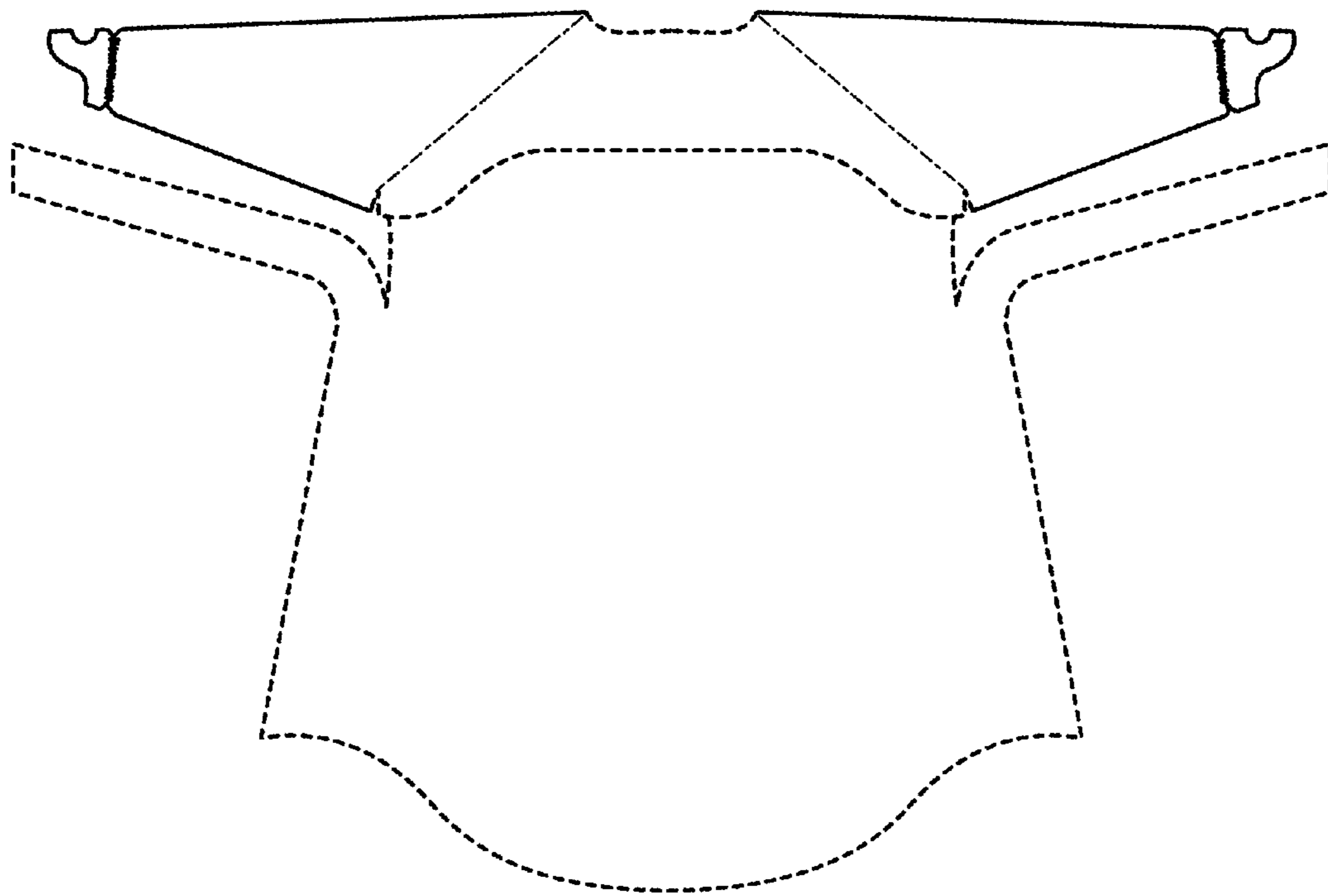
Fitts, Carissa C "Notice of Allowance", U.S. Appl. No. 29/467,623, filed Sep. 20, 2013; Mailed Jan. 13, 2017.

Haden, Sally Cline "NonFinal OA", U.S. Appl. No. 13/804,565, filed Mar. 14, 2013; Mailed Jan. 19, 2017.

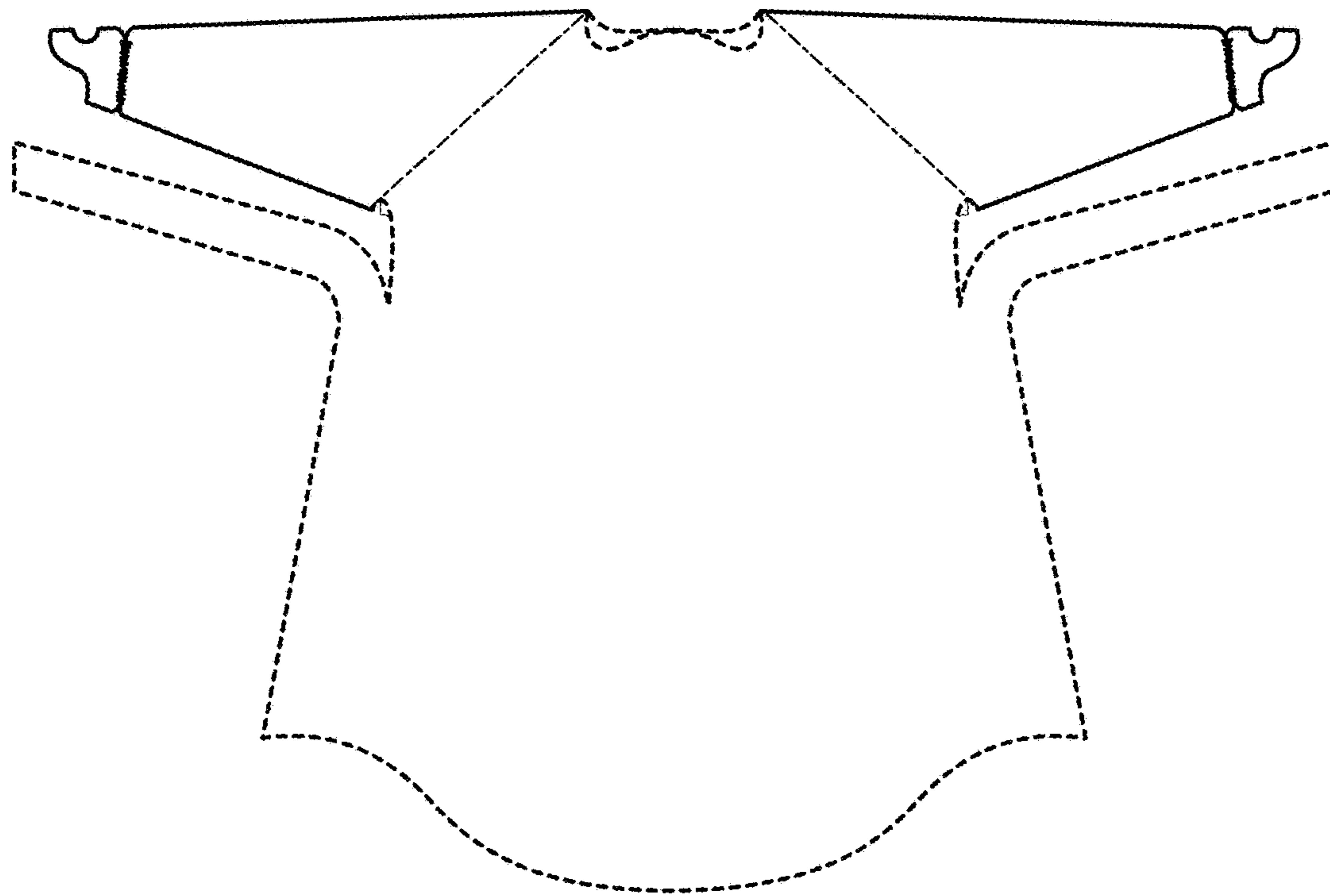
Mcvey, Lauren "Final Office Action", U.S. Appl. No. 29/467,603, filed Sep. 20, 2013; Mailed Feb. 8, 2017.

Haden, Sally C., "Final Office Action", U.S. Appl. No. 13/276,232, filed Oct. 18, 2011; Mailed Jan. 13, 2017.

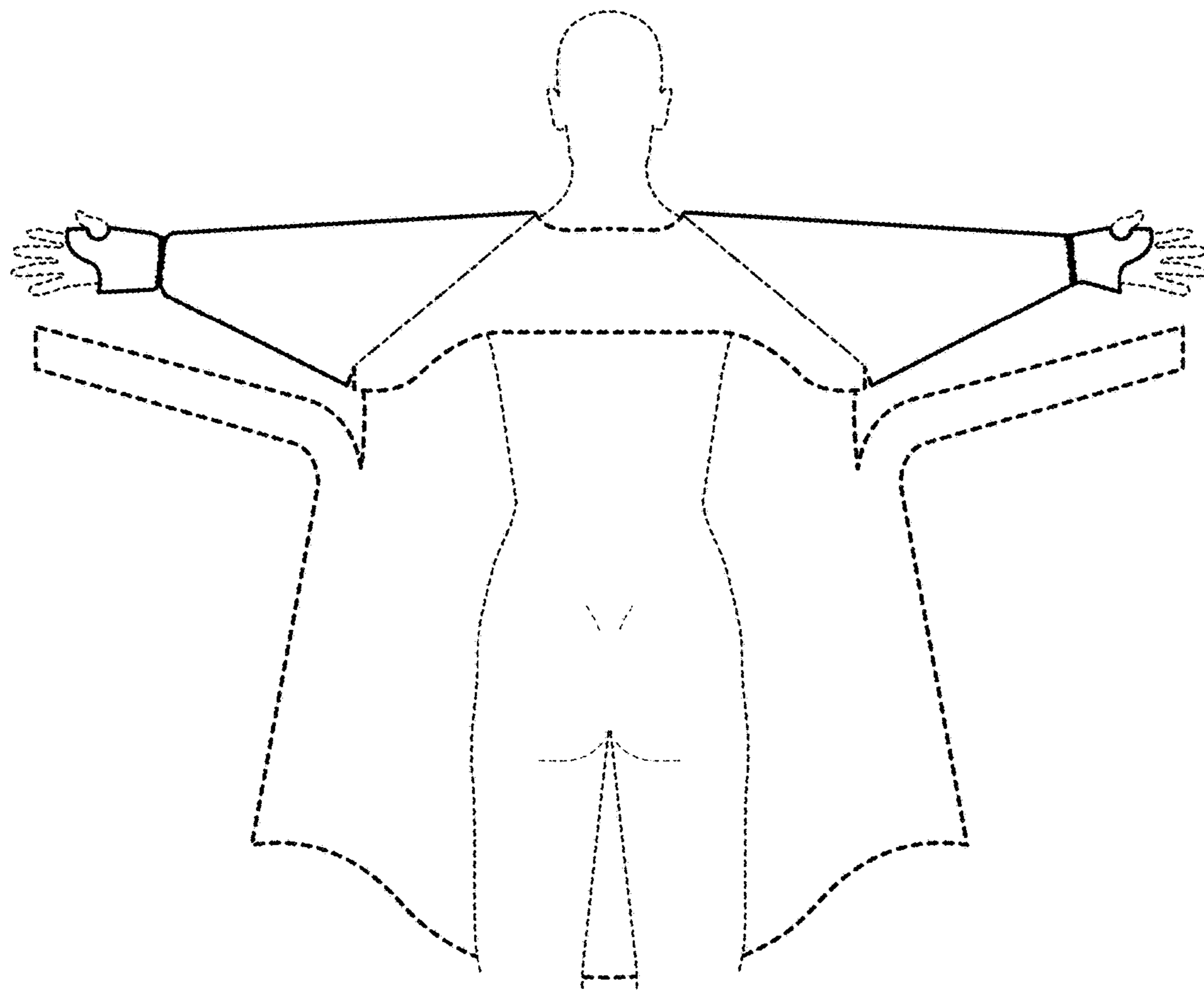
\* cited by examiner



***FIG. 1***

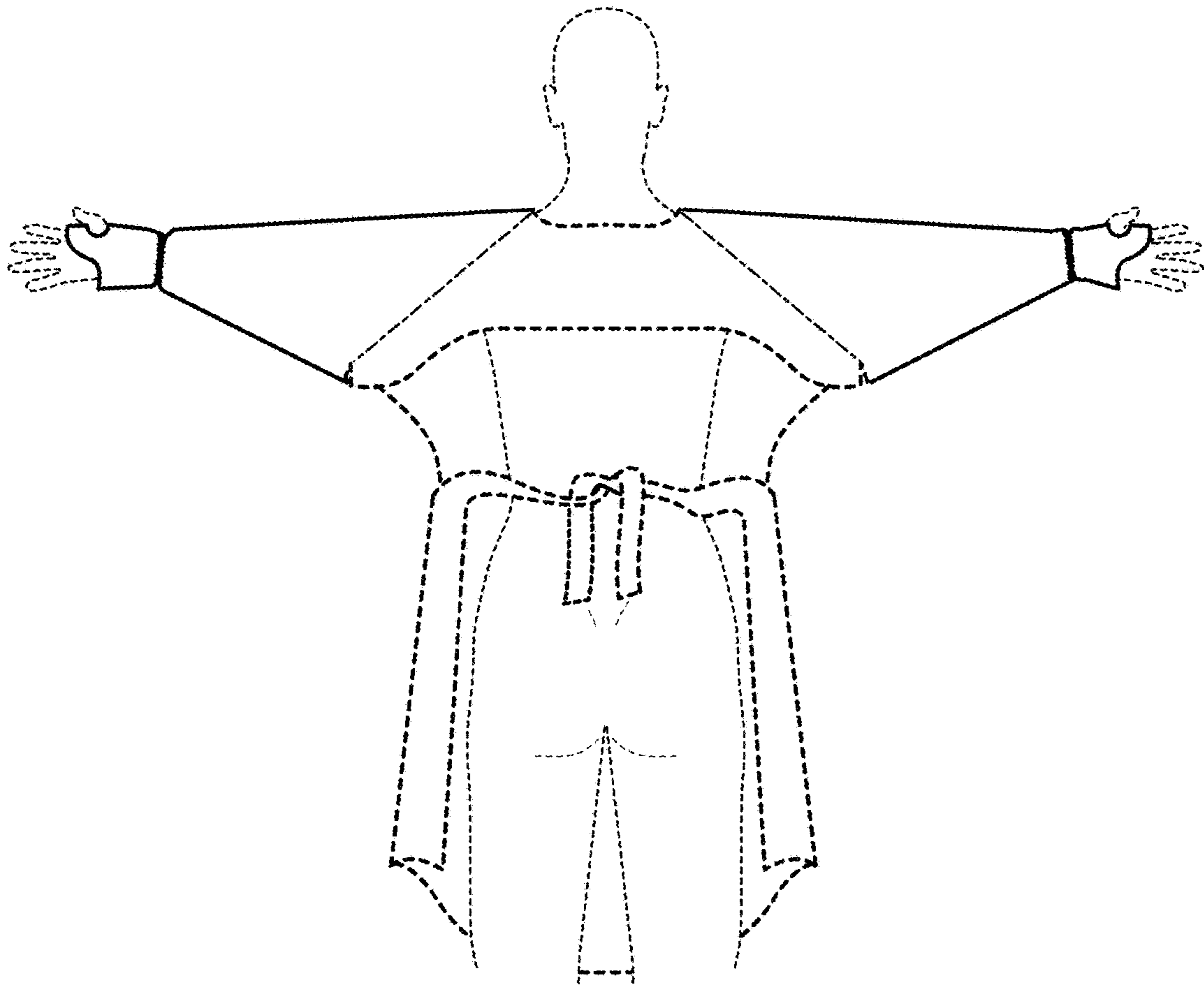


**FIG. 2**

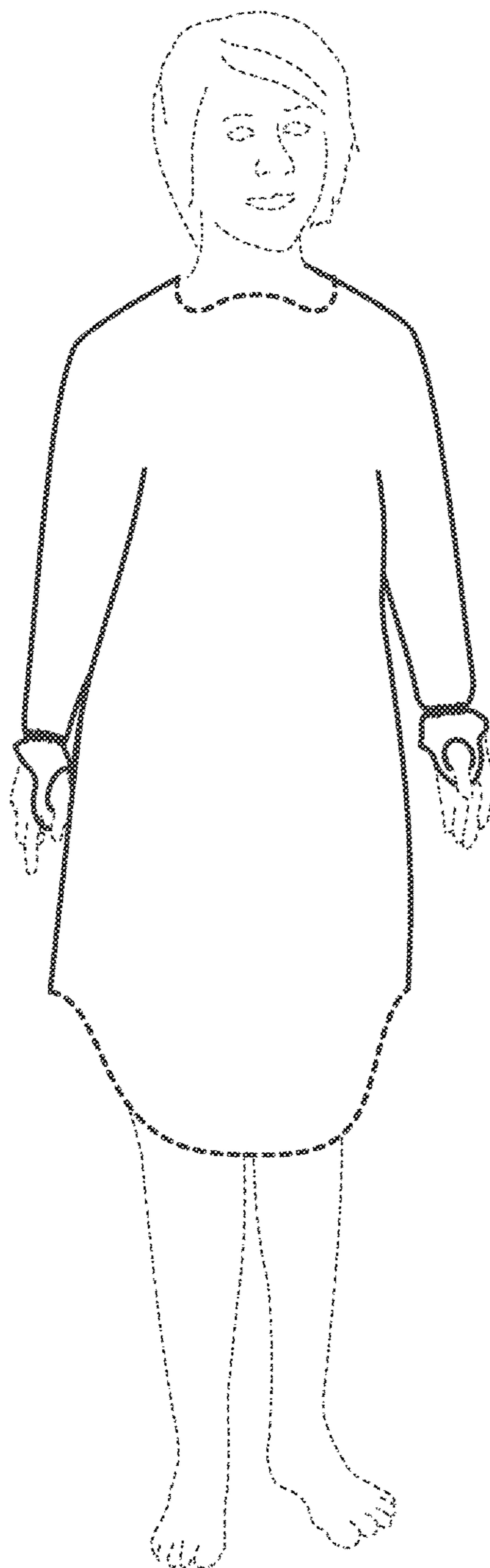


***FIG. 3***

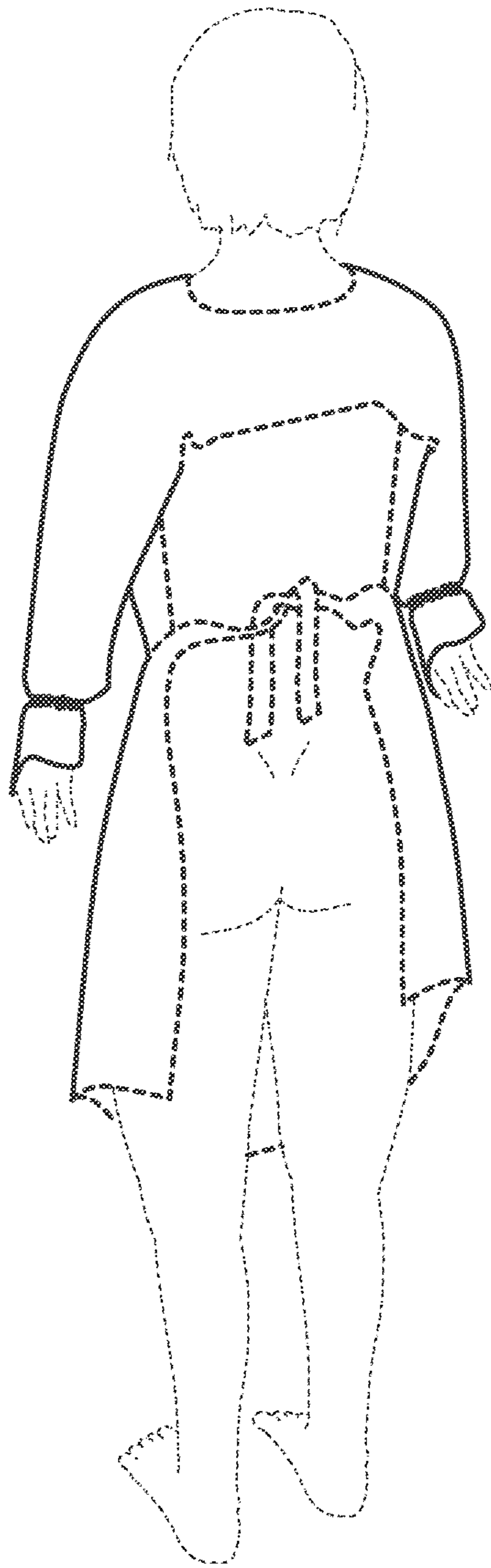




**FIG. 4**



**FIG. 5**



**FIG. 6**