



US00D787775S

(12) **United States Design Patent**  
**Petersen**

(10) **Patent No.:** **US D787,775 S**

(45) **Date of Patent:** **\*\* May 30, 2017**

- (54) **PET TREAT**
- (71) Applicant: **Royal Pet Incorporated**, Inver Grove Heights, MN (US)
- (72) Inventor: **Troy Petersen**, Rosemount, MN (US)
- (73) Assignee: **Royal Pet Incorporated**, Inver Grove Heights, MN (US)
- (\*\*) Term: **15 Years**
- (21) Appl. No.: **29/555,235**
- (22) Filed: **Feb. 19, 2016**
- (51) **LOC (10) Cl.** ..... **01-01**
- (52) **U.S. Cl.**  
USPC ..... **D1/199**
- (58) **Field of Classification Search**  
USPC ..... D1/100-130, 199; 426/5, 76, 87, 92, 94, 426/95, 99, 101, 103, 104, 108, 134, 426/138-139, 143, 144, 279, 282, 283, 426/391, 514, 549, 559, 560, 660, 808; D9/439, 669; D24/130; D6/597, 598, D6/601; D21/488-490, 493, 680; D23/366, 386, 415; 239/44; D8/83  
CPC . A23G 3/50; A23G 3/54; A23G 9/282; A23G 3/28; A23J 3/26; A23L 1/0067  
See application file for complete search history.

- 3,142,935 A \* 8/1964 Campos ..... A01G 29/00 222/481
- 4,824,687 A \* 4/1989 Yasuno ..... A23L 17/70 426/104
- D387,633 S \* 12/1997 Whalen ..... D11/149
- 5,867,938 A \* 2/1999 DiLernia ..... A01G 9/02 47/65.5
- D428,220 S \* 7/2000 Veits ..... D30/160
- 6,360,693 B1 \* 3/2002 Long, III ..... A01K 15/026 119/707
- D461,025 S \* 7/2002 Pentland ..... D1/199
- D552,189 S \* 10/2007 Orzeck ..... D21/483
- D607,618 S \* 1/2010 Rutherford ..... D30/160
- D636,540 S \* 4/2011 McCann ..... D30/160
- D640,065 S \* 6/2011 Wang ..... D5/99

\* cited by examiner

*Primary Examiner* — Garth Rademaker

*Assistant Examiner* — Katie Stofko Mroczka

(74) *Attorney, Agent, or Firm* — Peter J. Ims; Westman, Champlin & Koehler, P.A.

(57) **CLAIM**

The ornamental design for a pet treat, as shown and described.

**DESCRIPTION**

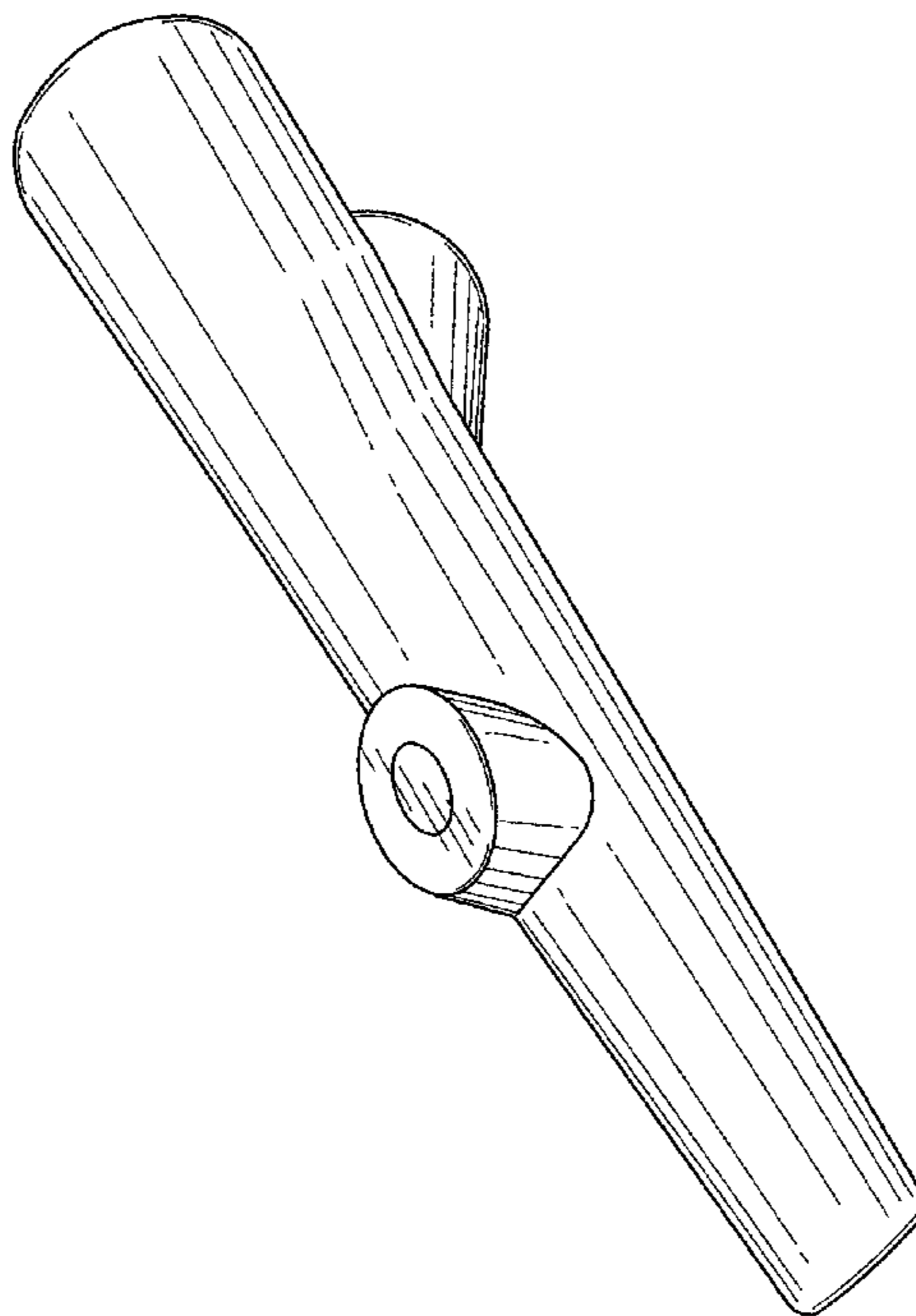
FIG. 1 is a perspective view of a pet treat;  
FIG. 2 is a right end view of the pet treat;  
FIG. 3 is a left end view of the pet treat;  
FIG. 4 is a top view of the pet treat;  
FIG. 5 is a bottom side view of the pet treat;  
FIG. 6 is a left side view of the pet treat; and,  
FIG. 7 is a right side view of the pet treat.

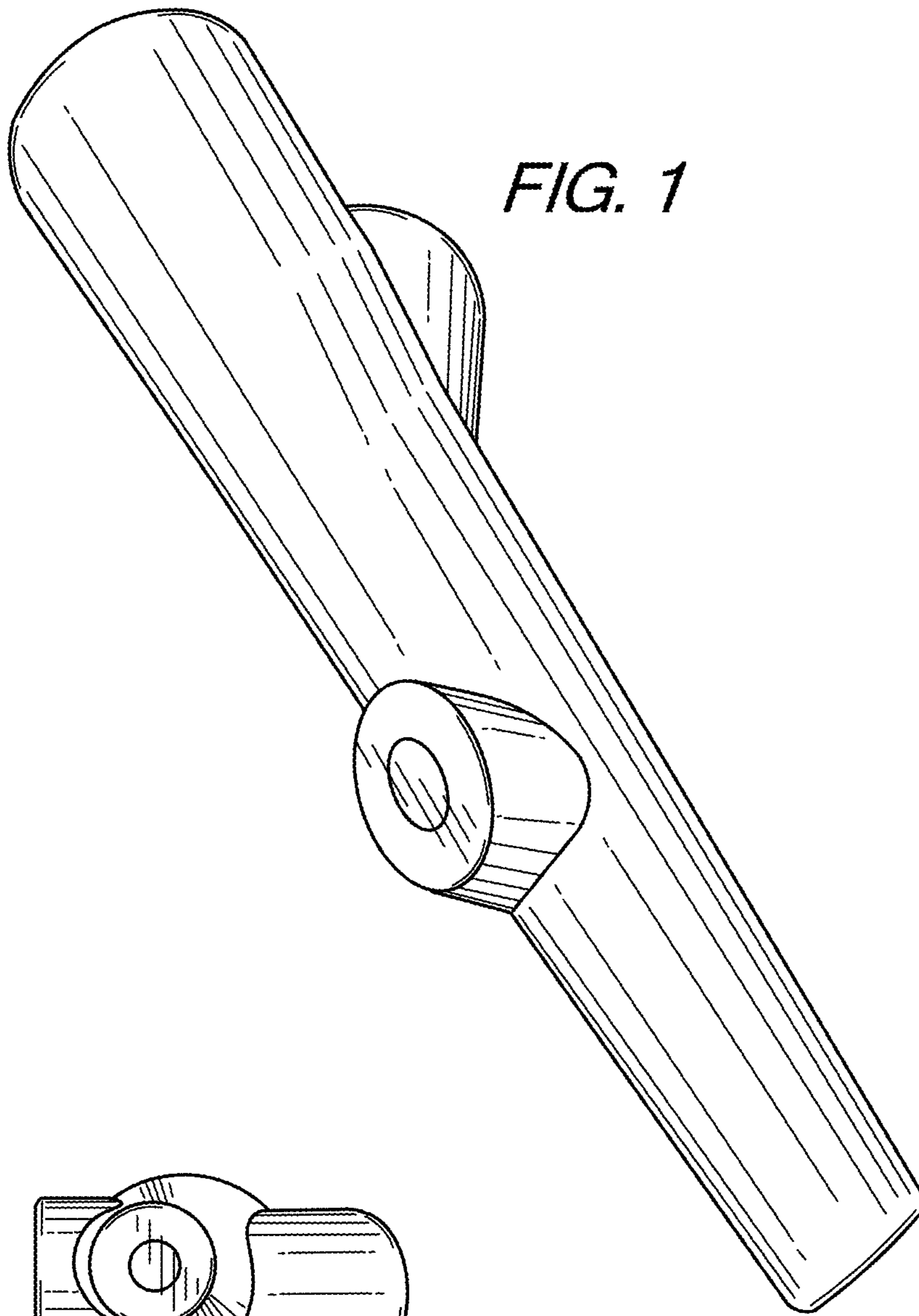
**1 Claim, 2 Drawing Sheets**

(56) **References Cited**

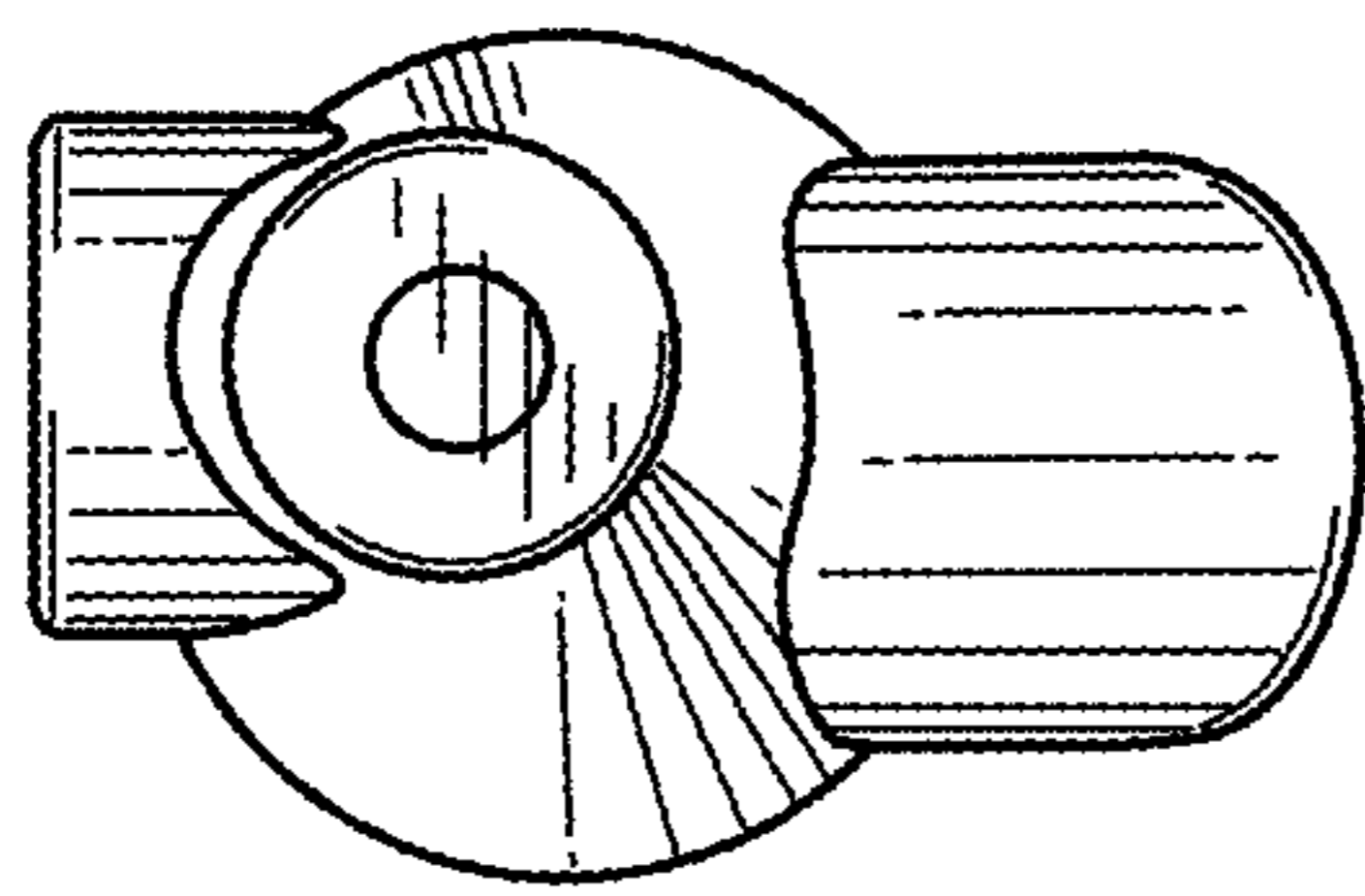
U.S. PATENT DOCUMENTS

- 1,727,342 A \* 9/1929 Goodwin ..... A21D 13/0025 426/94
- 3,123,047 A \* 3/1964 Fisher ..... A01K 15/026 119/709

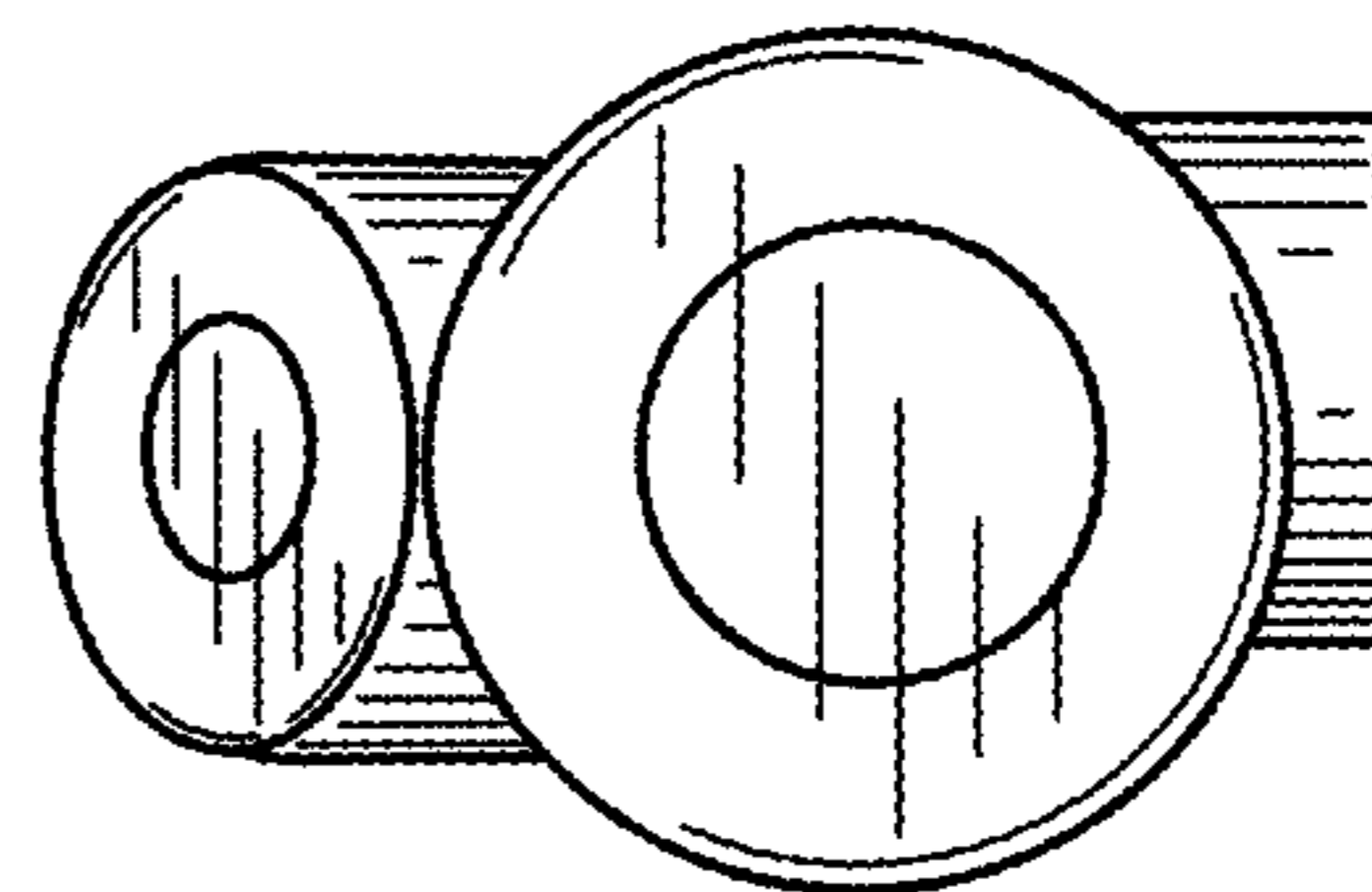




*FIG. 1*



*FIG. 2*



*FIG. 3*

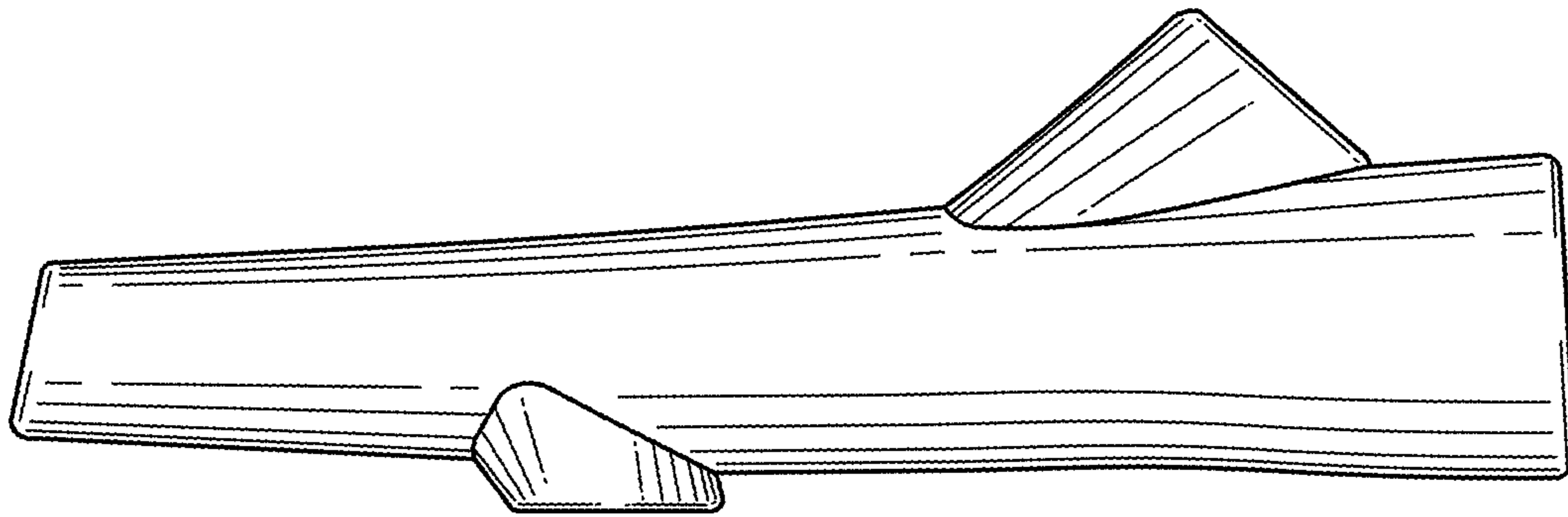


FIG. 4

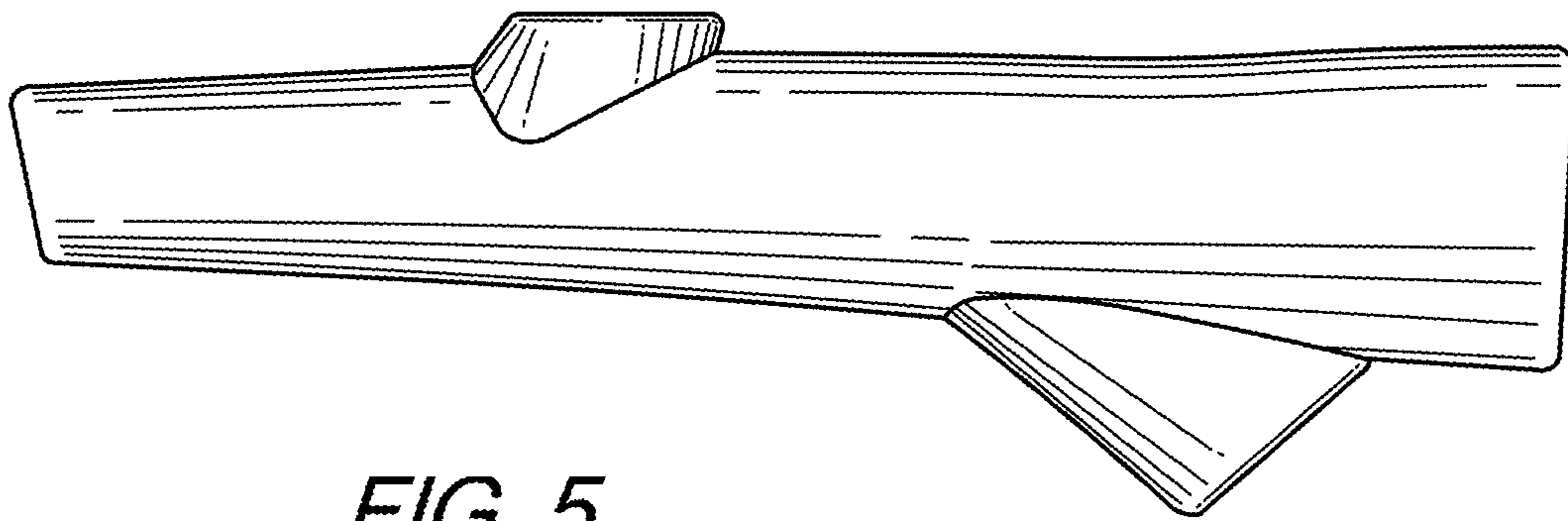


FIG. 5

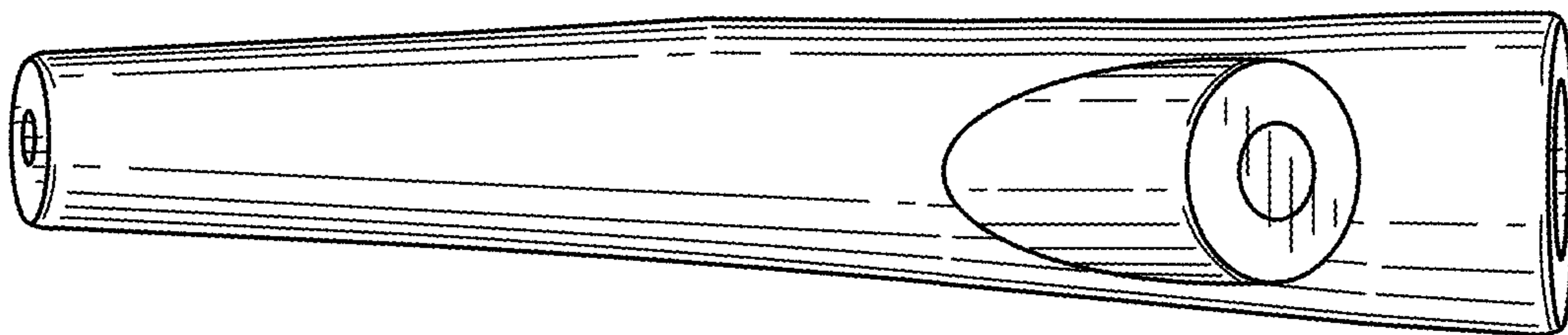


FIG. 6

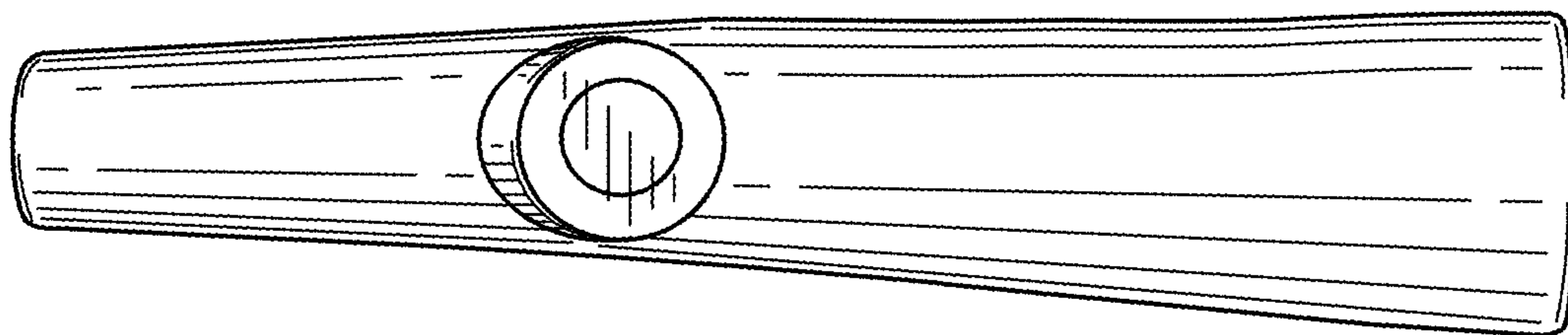


FIG. 7