



US00D787771S

(12) **United States Design Patent**  
**Shugen**

(10) **Patent No.:** **US D787,771 S**

(45) **Date of Patent:** **\*\* May 23, 2017**

(54) **MATERIAL FETCHING MACHINE**

(71) Applicant: **ZHEJIANG DINGLI MACHINERY CO., LTD**, Huzhou (CN)

(72) Inventor: **Xu Shugen**, Huzhou (CN)

(73) Assignee: **ZHEJIANG DINGLI MACHINERY CO., LTD.**, Huzhou (CN)

(\*\*) Term: **15 Years**

(21) Appl. No.: **29/545,707**

(22) Filed: **Nov. 16, 2015**

(51) **LOC (10) Cl.** ..... **12-05**

(52) **U.S. Cl.**  
USPC ..... **D34/28**

(58) **Field of Classification Search**  
USPC ..... D34/28; 414/664; 187/390  
CPC ..... B66F 17/006; B66B 5/021; B66B 5/0025  
See application file for complete search history.

(56) **References Cited**

**U.S. PATENT DOCUMENTS**

- 3,806,092 A \* 4/1974 Richards ..... B66F 7/0625  
254/122
- D288,498 S \* 2/1987 Jarnum ..... D34/28
- D331,995 S \* 12/1992 Curtin ..... D34/28
- 5,211,259 A \* 5/1993 Kishi ..... B66F 11/046  
182/2.11
- 5,322,408 A \* 6/1994 Wooden ..... A61G 3/063  
187/200
- D373,880 S \* 9/1996 Wrobel ..... D34/28

- D399,628 S \* 10/1998 Smith ..... D34/28
- 6,112,612 A \* 9/2000 Seksaria ..... B66F 9/20  
180/333
- D518,269 S \* 3/2006 Henshaw ..... D34/28
- D570,071 S \* 5/2008 Campbell ..... D34/28
- D653,833 S \* 2/2012 Thompson ..... D34/28
- D724,808 S \* 3/2015 Blehm ..... D25/62
- 9,051,156 B2 \* 6/2015 Zuercher ..... B66B 9/04
- 2013/0075203 A1 \* 3/2013 Sayles ..... B66F 17/006  
187/390
- 2014/0332317 A1 \* 11/2014 Campbell ..... E04G 1/22  
182/141
- 2015/0144426 A1 \* 5/2015 Hao ..... B66F 11/04  
182/113

**FOREIGN PATENT DOCUMENTS**

EP 2347989 A1 \* 7/2011 ..... B66F 11/04

\* cited by examiner

*Primary Examiner* — Cynthia Ramirez

(74) *Attorney, Agent, or Firm* — NK Patent Law, PLLC

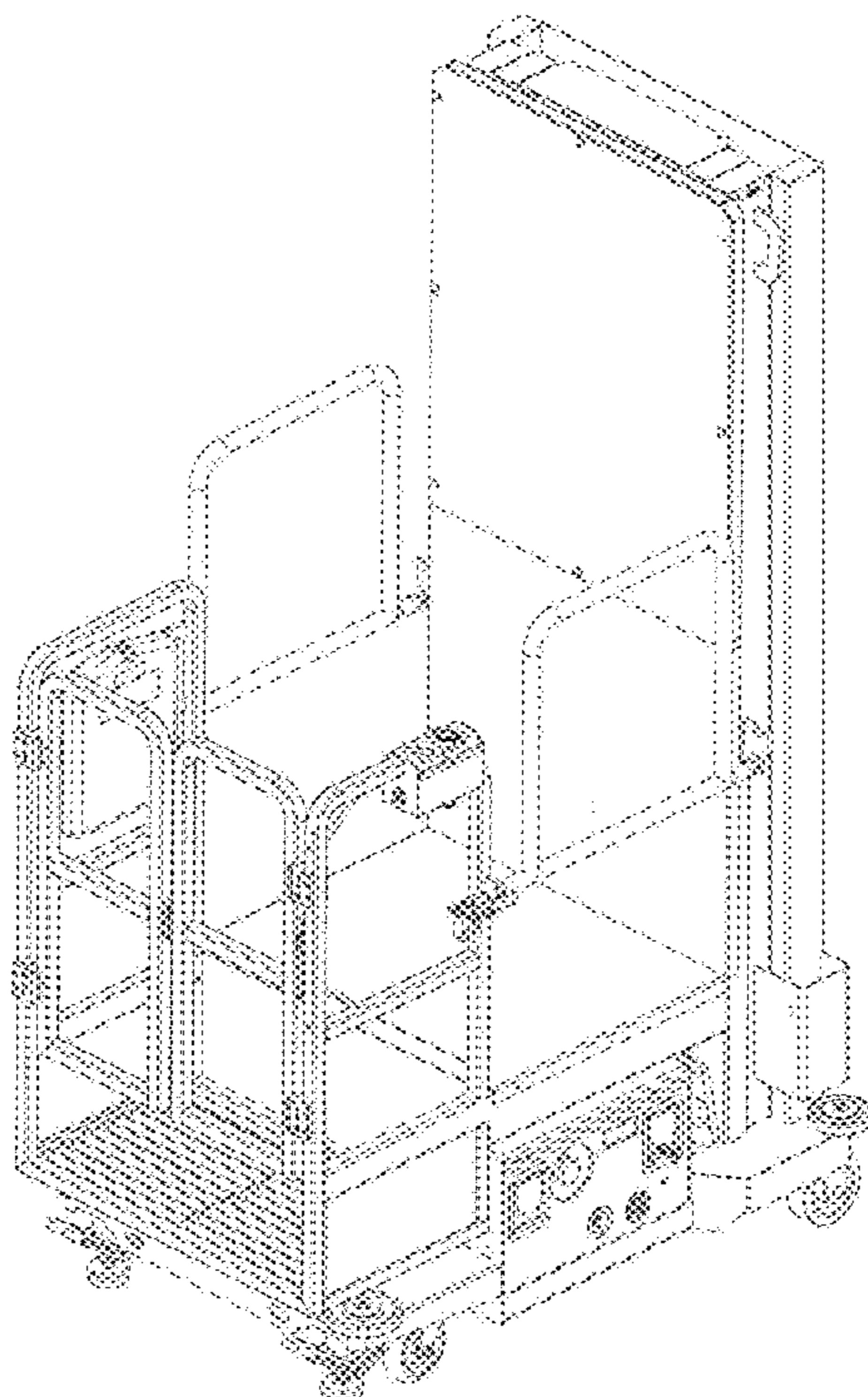
(57) **CLAIM**

The ornamental design for a material fetching machine, as shown and described.

**DESCRIPTION**

FIG. 1 is a front view of a material fetching machine showing my new design;  
FIG. 2 is a rear view thereof;  
FIG. 3 is a left side view thereof;  
FIG. 4 is a right side view thereof;  
FIG. 5 is a top view thereof; and,  
FIG. 6 is a perspective view thereof.

**1 Claim, 6 Drawing Sheets**



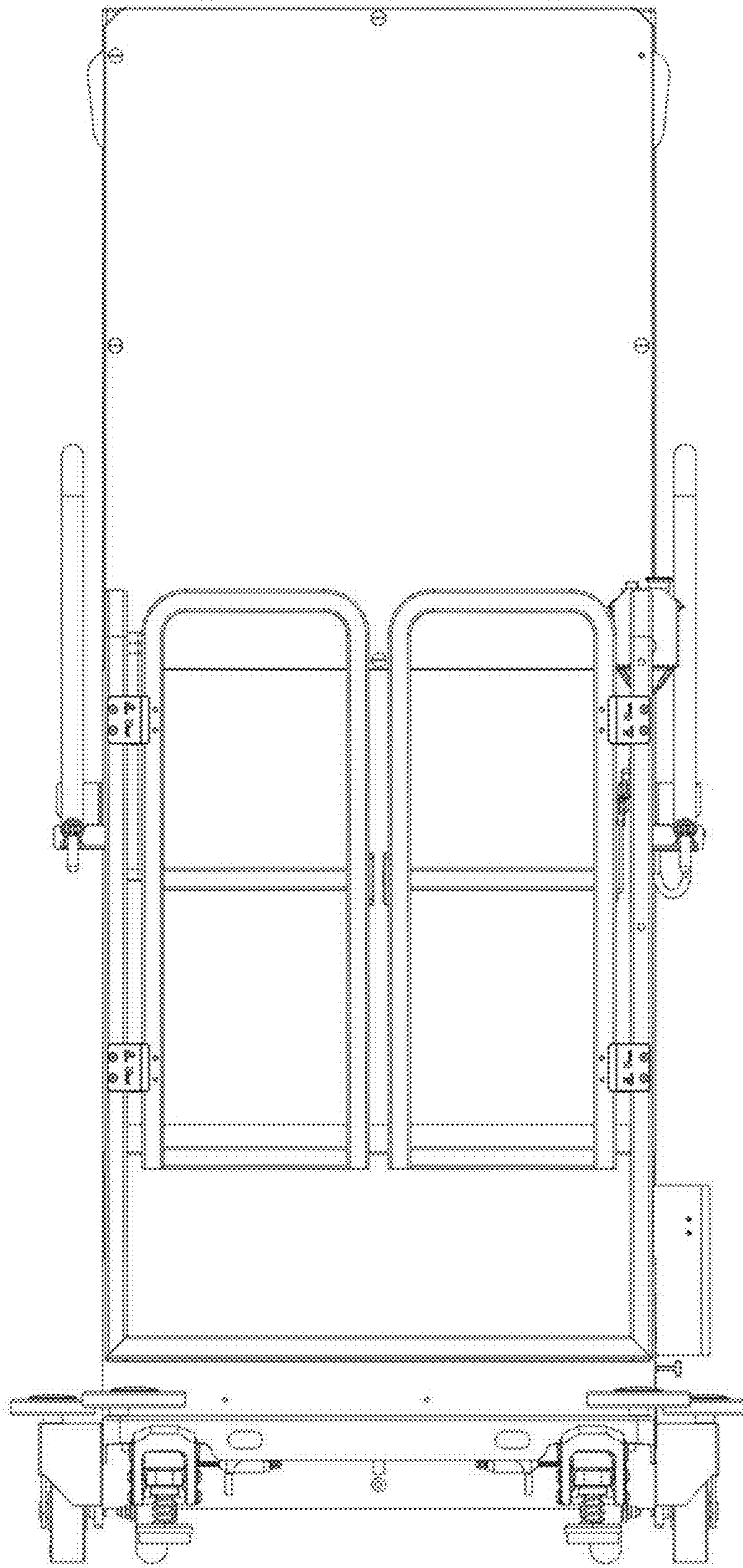


FIG. 1

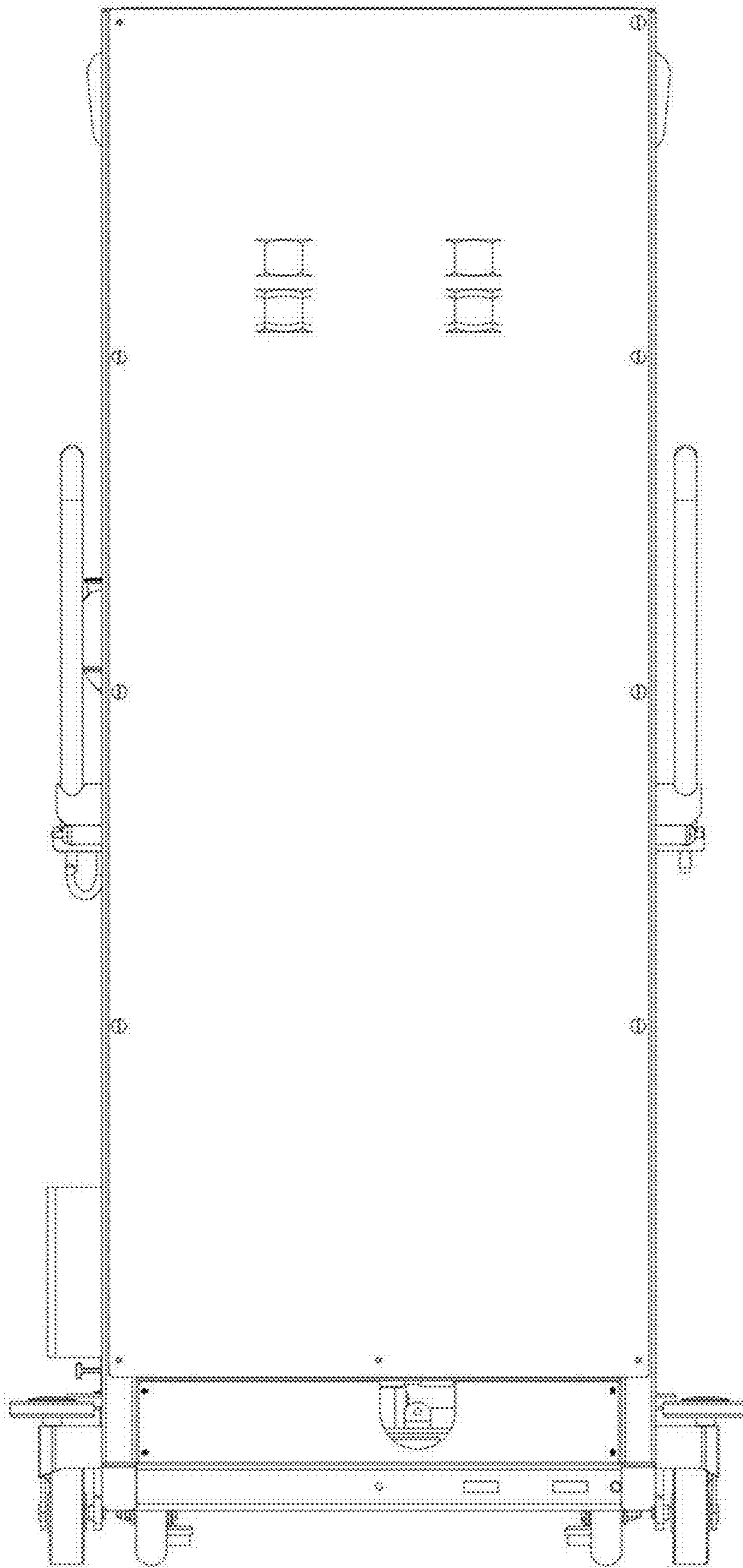


FIG. 2

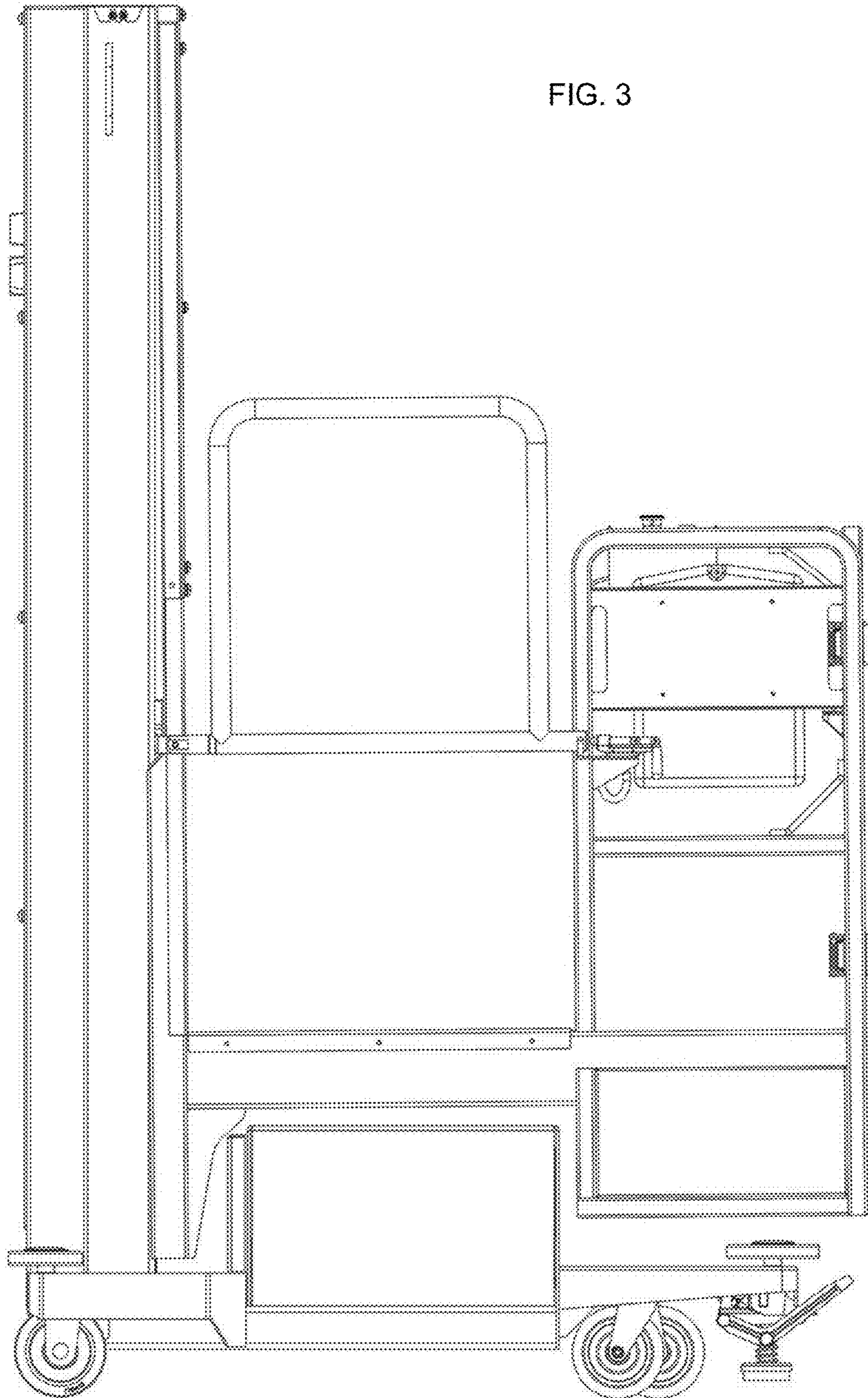
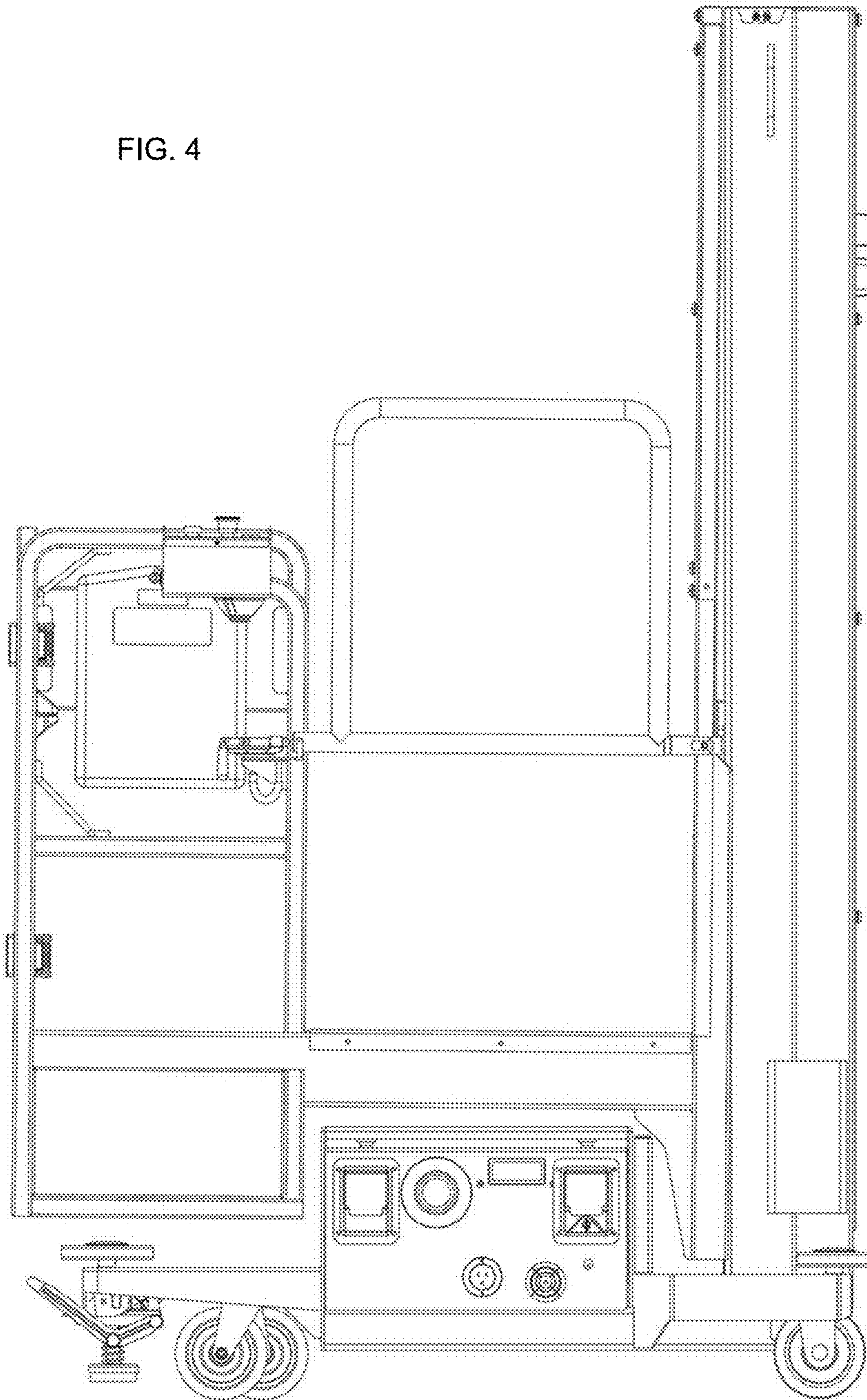


FIG. 3

FIG. 4



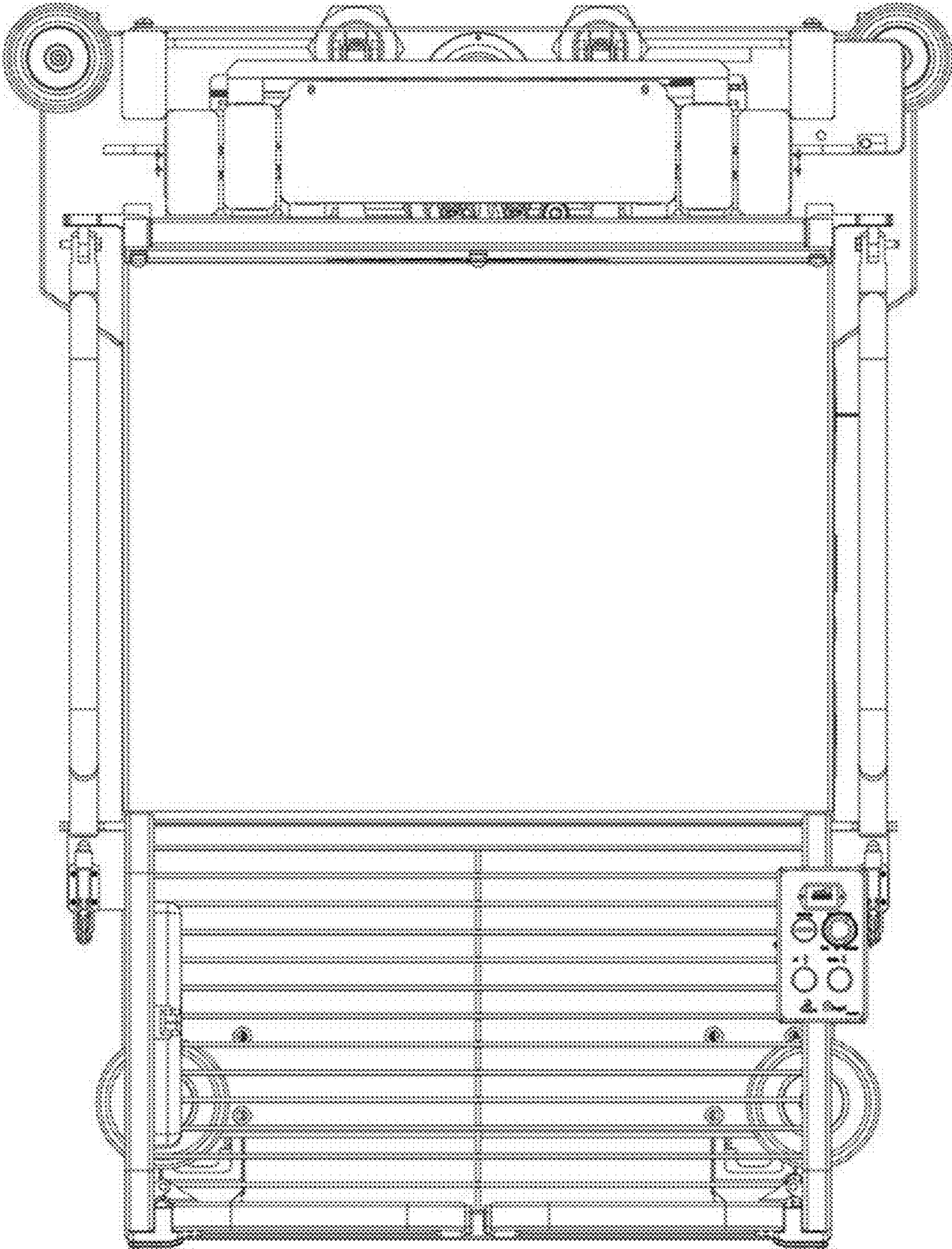


FIG. 5

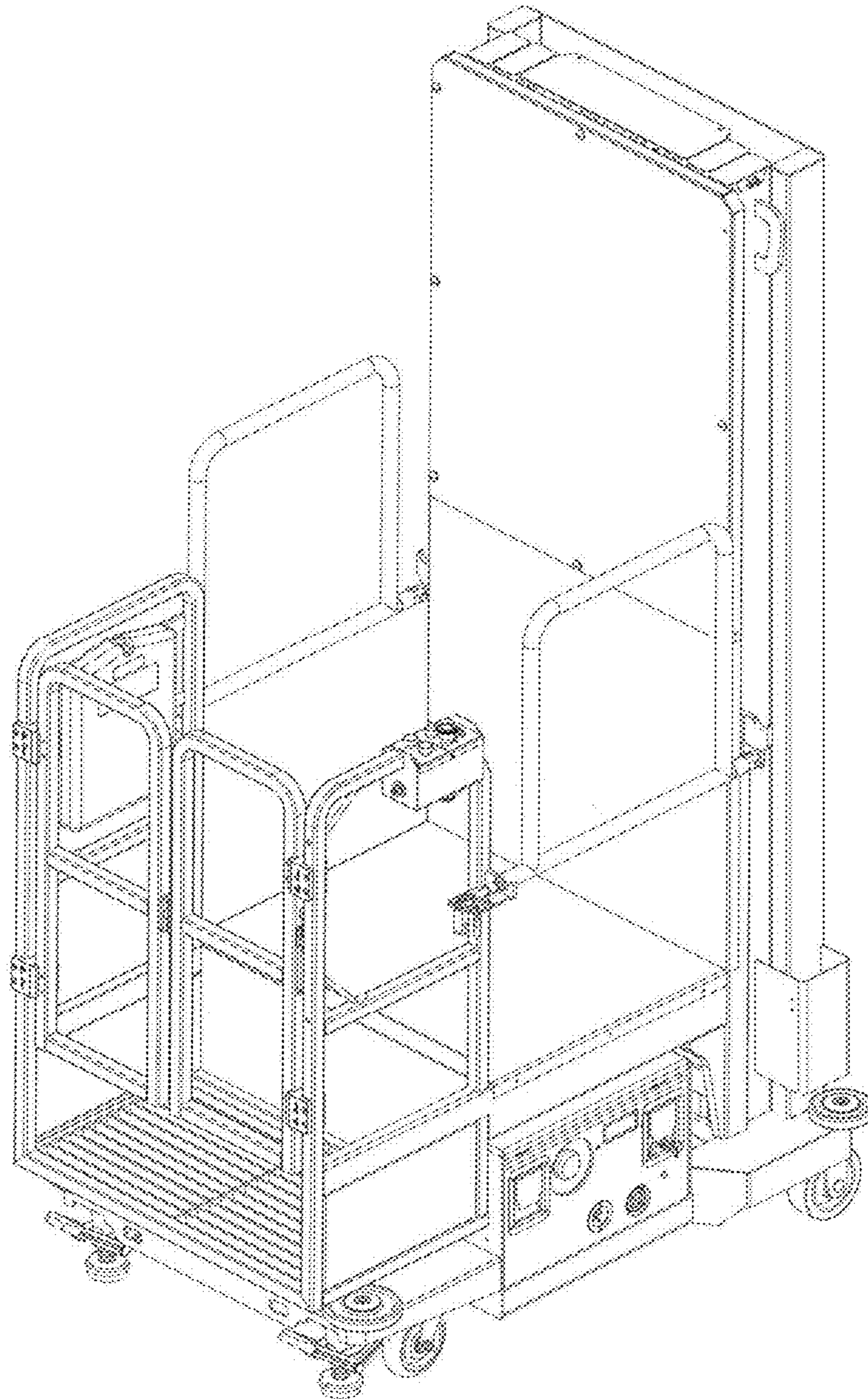


FIG. 6