



US00D787770S

(12) **United States Design Patent**
Thuma et al.

(10) **Patent No.:** **US D787,770 S**
(45) **Date of Patent:** **** May 23, 2017**

(54) PLATFORM CART	4,274,644 A *	6/1981	Taylor	B62B 3/02 280/39
(71) Applicant: Suncast Technologies, LLC , Palm Beach Gardens, FL (US)	4,458,906 A *	7/1984	Lamson	B62B 3/00 280/47.34
(72) Inventors: Michael Thuma , La Grange, IL (US); Robert G. Kopp , Elburn, IL (US); Michael R. Vogler , Oswego, IL (US)	D312,716 S *	12/1990	Stephens, III	D34/12
	D337,410 S *	7/1993	Jones	D12/14
	D340,334 S *	10/1993	Kean	D34/17
	D340,335 S *	10/1993	Kean	D34/17
	D404,871 S *	1/1999	Golichowski	D34/17
	6,024,376 A *	2/2000	Golichowski	B62B 3/022 16/35 R
(73) Assignee: Suncast Technologies, LLC , Palm Beach Gardens, FL (US)	D523,201 S *	6/2006	Widmer	D34/12
	D570,068 S *	5/2008	Dukes	D34/17
	D618,422 S *	6/2010	Catron	D34/27
(**) Term: 15 Years	2003/0205873 A1 *	11/2003	Orozco	B60B 33/0002 280/33.991

(21) Appl. No.: **29/539,534**

(22) Filed: **Sep. 15, 2015**

(51) **LOC (10) Cl.** **12-02**

(52) **U.S. Cl.**
USPC **D34/17**

(58) **Field of Classification Search**
USPC D34/12-27; 280/47.2, 47.18, 47.27,
280/47.34, 651, 33.996, 33.991, 33.994
CPC B62B 3/02; B62B 3/005; B62B 3/1404;
B62B 3/002; B62B 3/00; B62B 3/04;
B62B 3/14; B62B 3/001; B62B 3/022;
B62B 3/027; B62B 3/12
See application file for complete search history.

(56) **References Cited**

U.S. PATENT DOCUMENTS

2,610,751 A *	9/1952	Bevan	B66F 9/12 108/52.1
2,763,389 A *	9/1956	Heidenrich	B62D 49/007 280/43.24

* cited by examiner

Primary Examiner — Cynthia Ramirez

(74) *Attorney, Agent, or Firm* — McHale & Slavin, P.A.

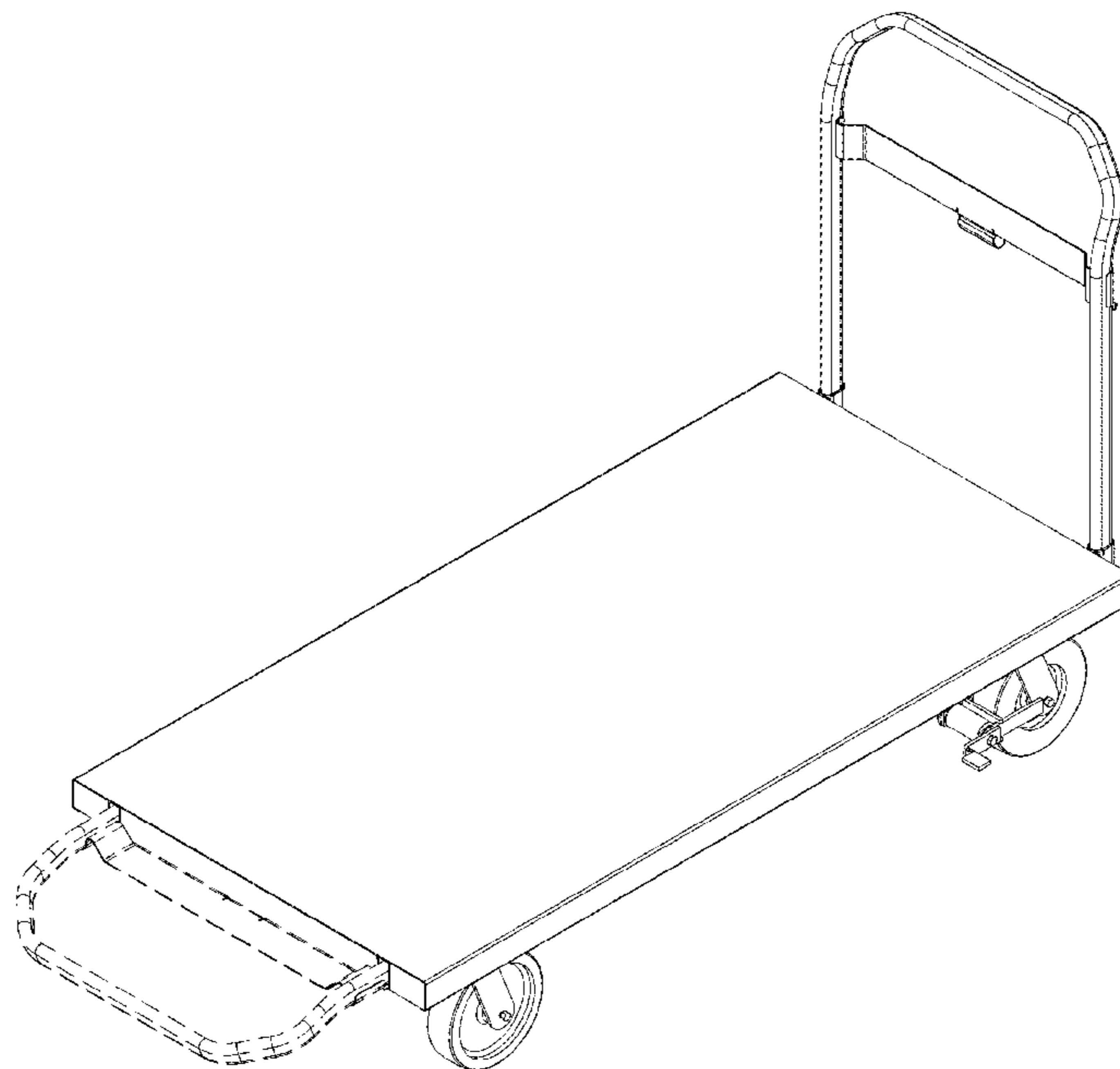
(57) **CLAIM**

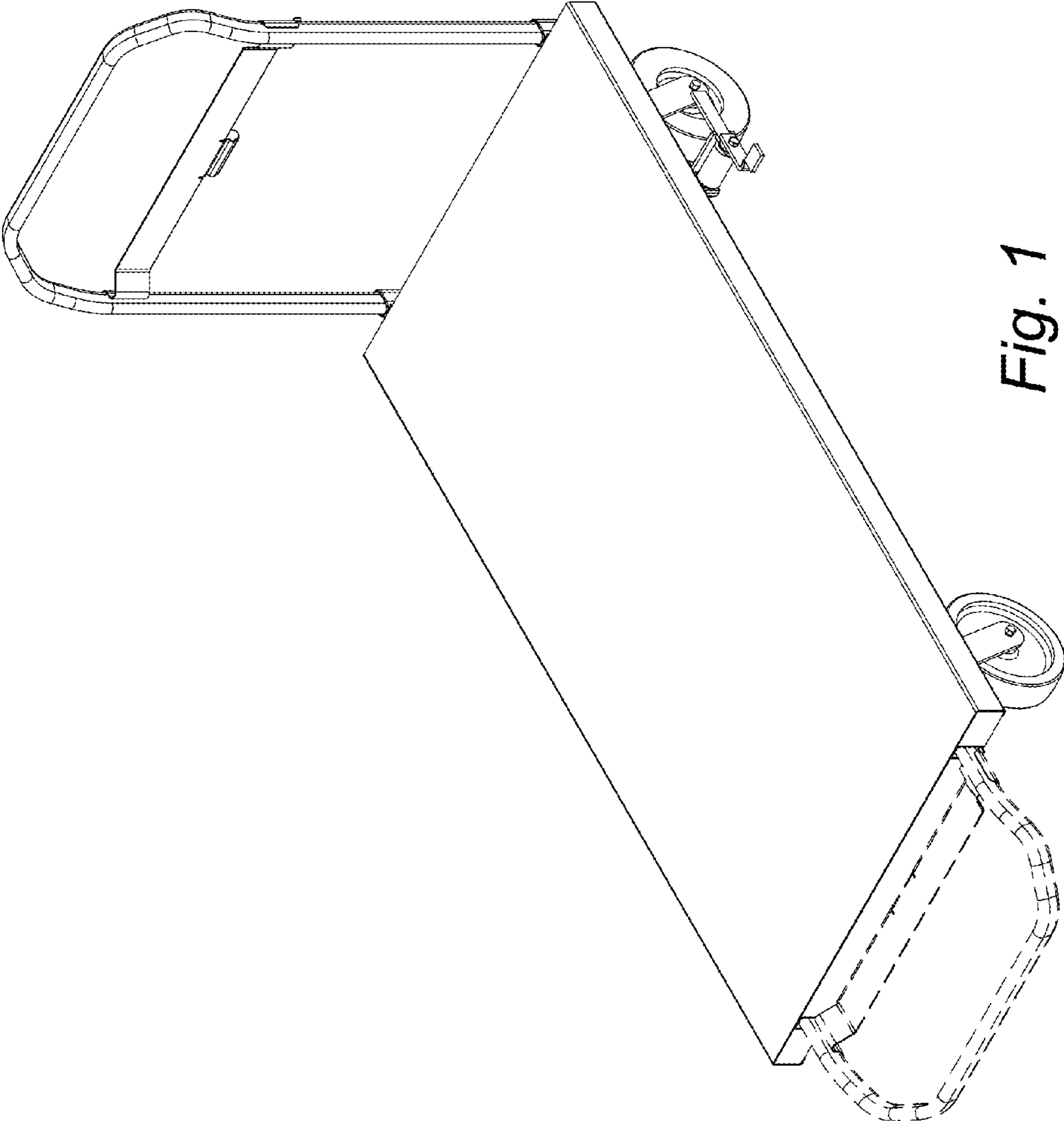
The ornamental design for a platform cart, as shown and described.

DESCRIPTION

FIG. 1 is a top, right perspective view of a platform cart showing our new design;
FIG. 2 is a rear view thereof;
FIG. 3 is a front view thereof;
FIG. 4 is a left side view thereof;
FIG. 5 is a right side view thereof; and,
FIG. 6 is a top view thereof.
The broken lines shown in the figures are included for the purpose of illustrating portions of the platform cart and form no part of the claimed design.

1 Claim, 6 Drawing Sheets





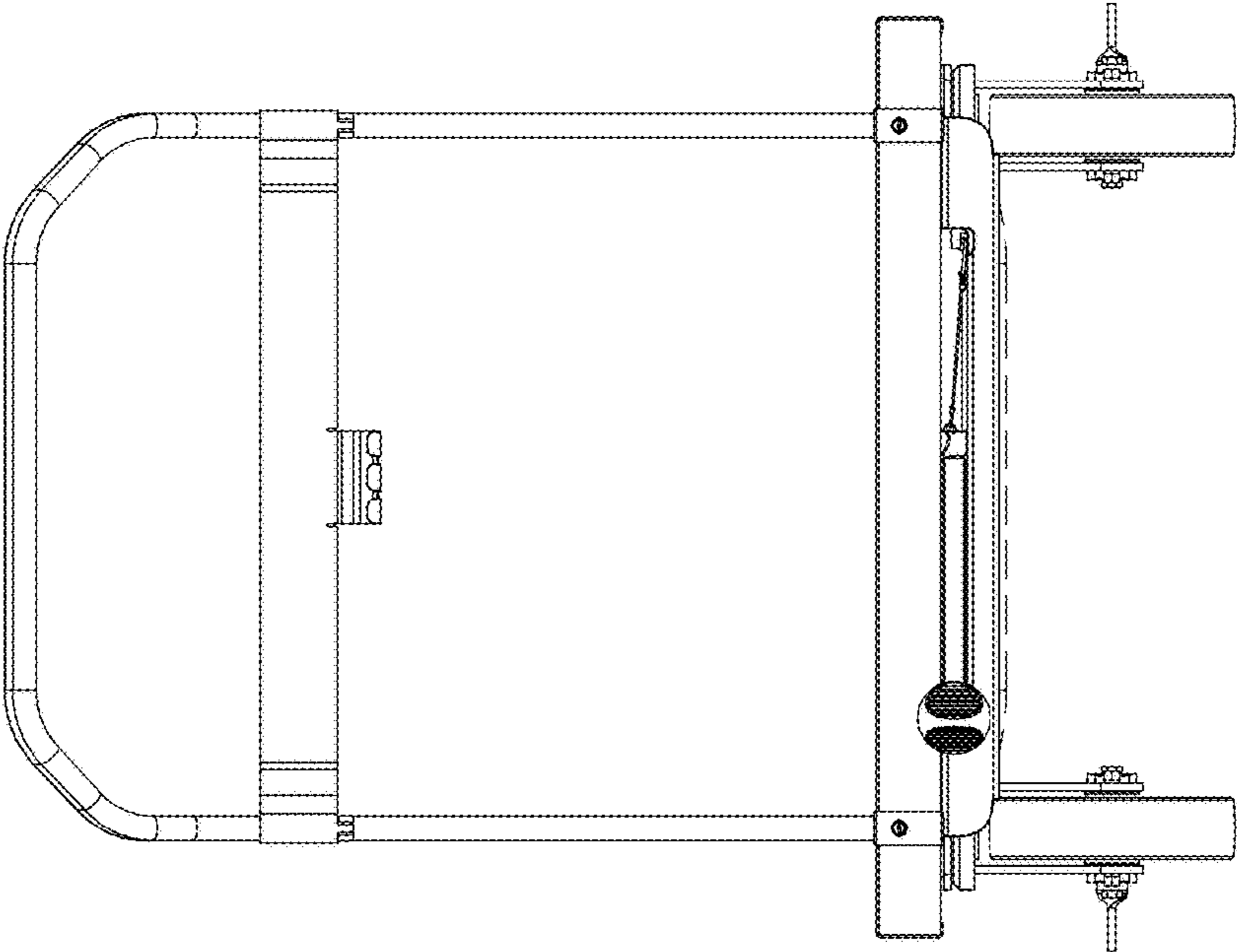


Fig. 2

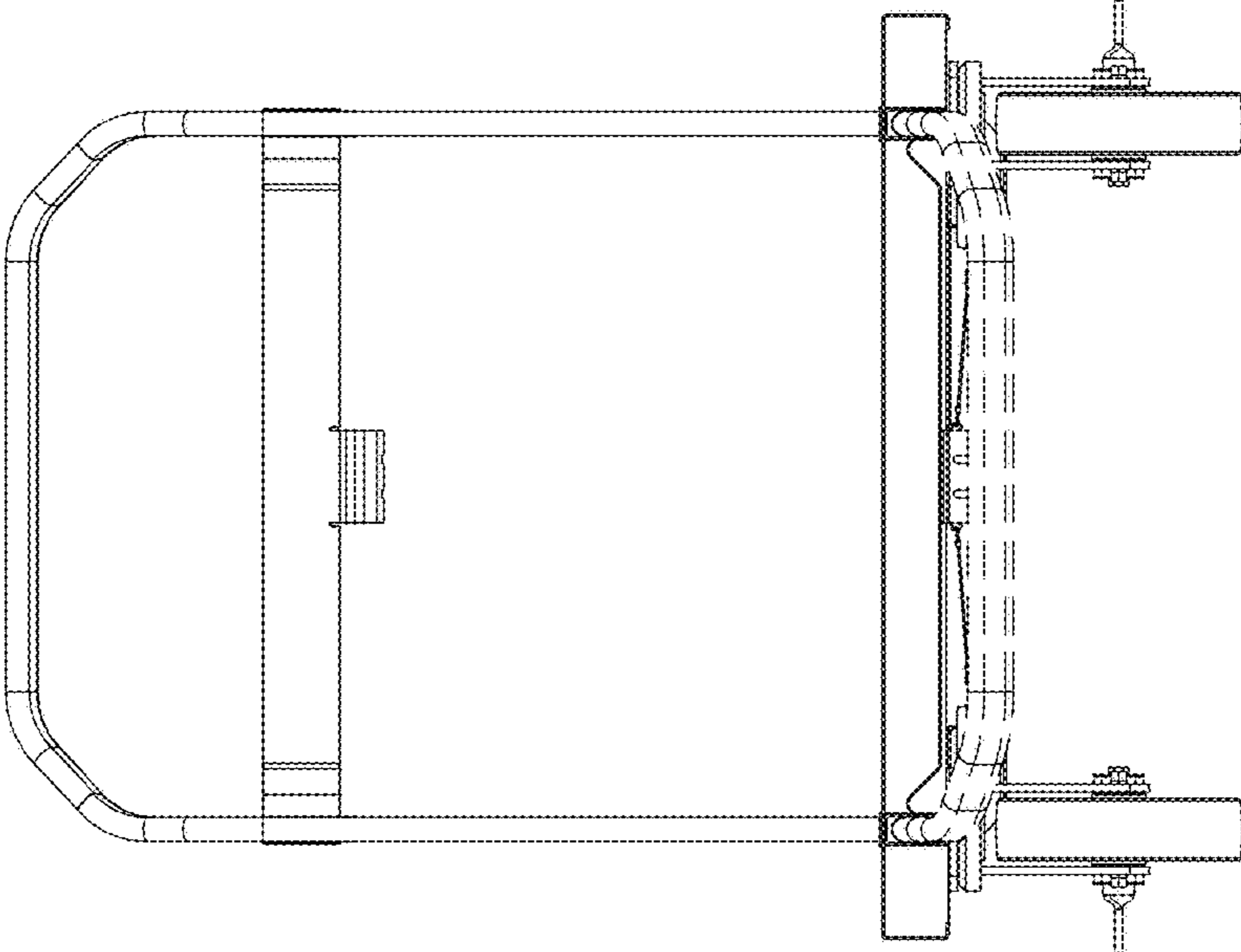


Fig. 3

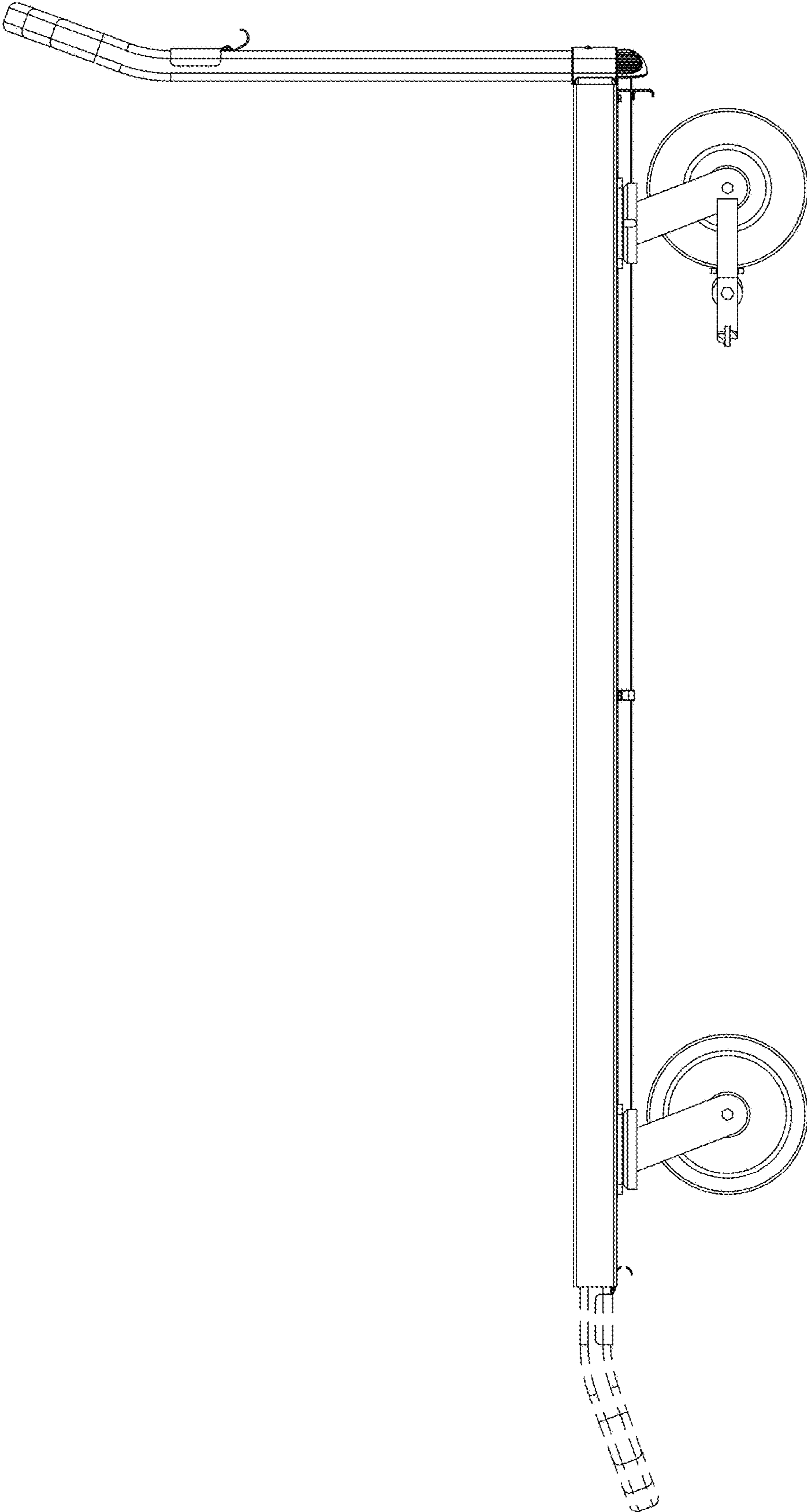


Fig. 4

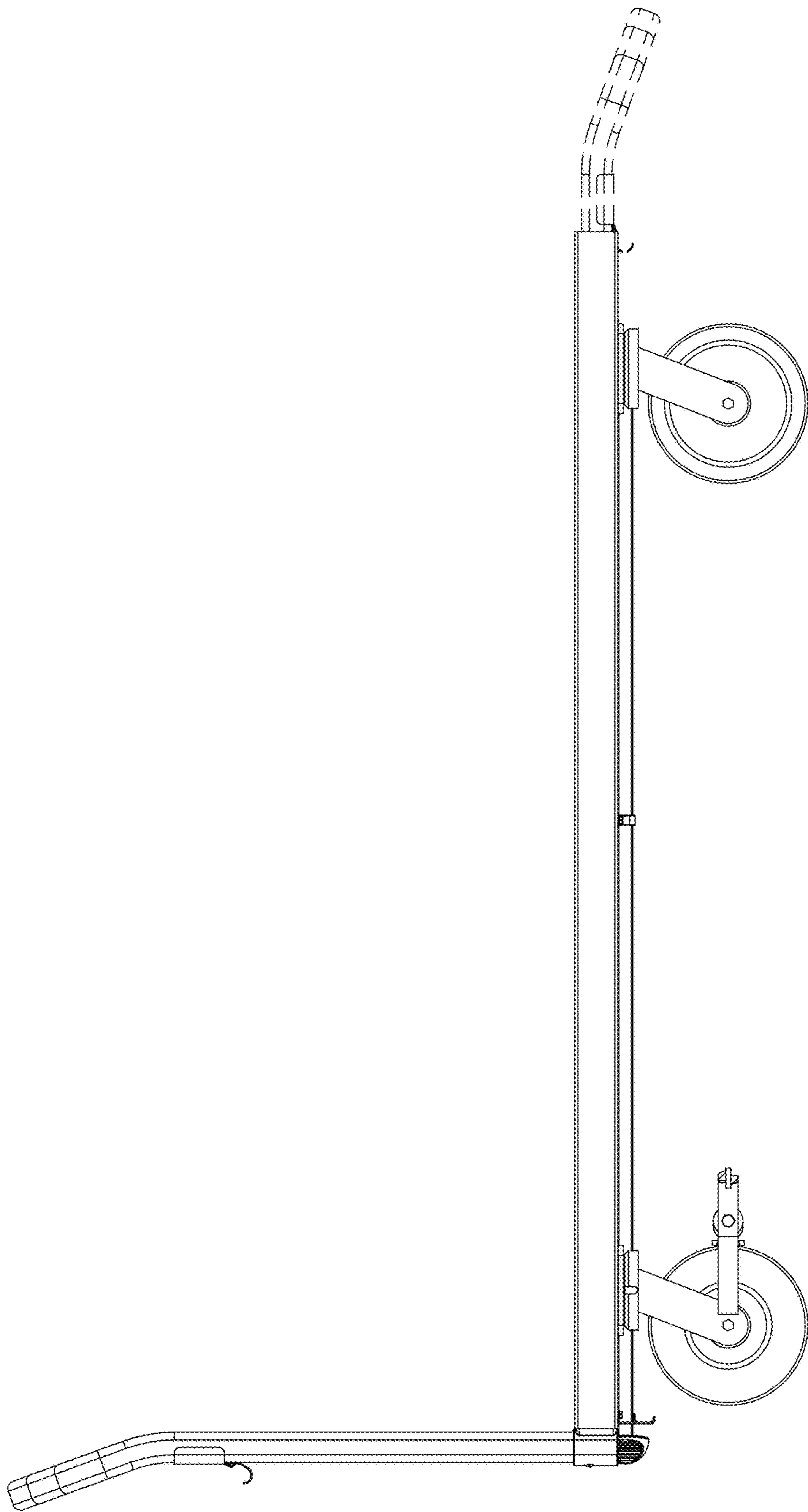


Fig. 5

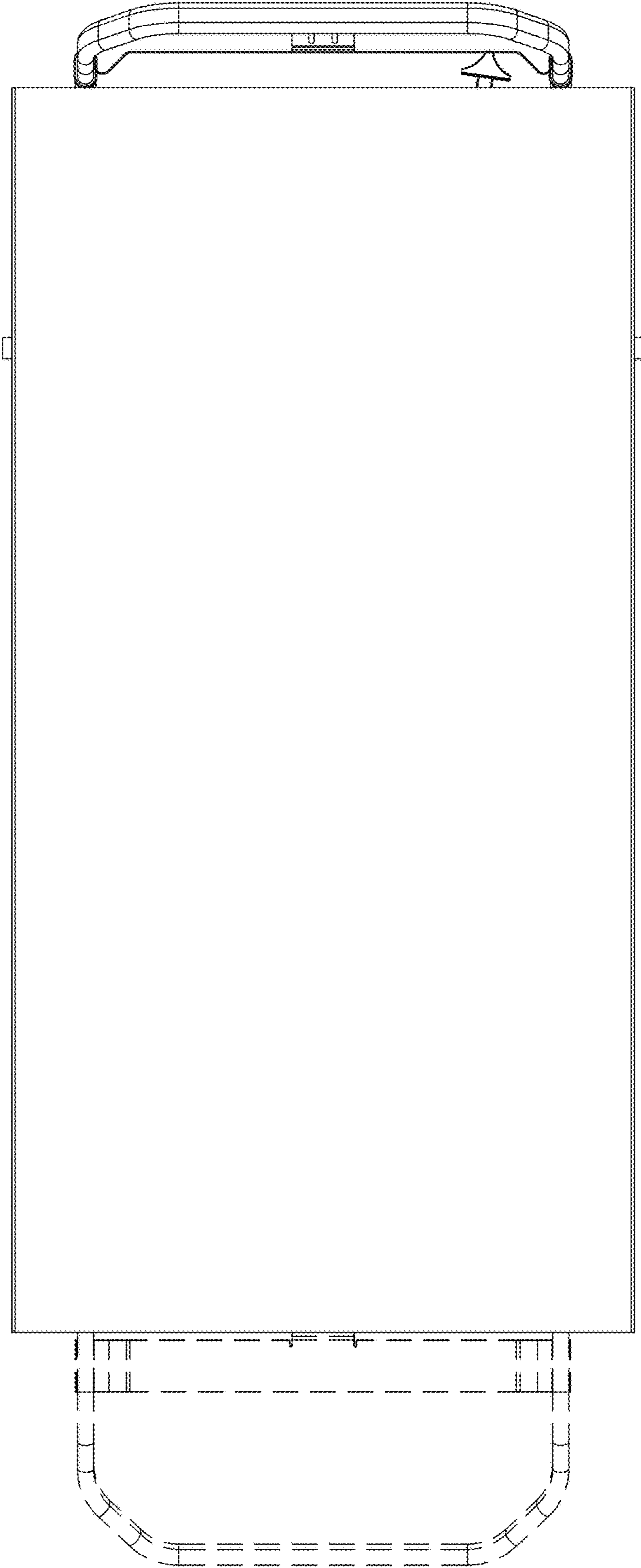


Fig. 6