



US00D787769S

(12) **United States Design Patent**  
**Evans et al.**

(10) **Patent No.:** **US D787,769 S**

(45) **Date of Patent:** **\*\* May 23, 2017**

(54) **RACK**

(71) Applicant: **JOSEPH JOSEPH LTD**, London (GB)

(72) Inventors: **David Evans**, Cambridge (GB); **Ashley May**, Cambridge (GB)

(73) Assignee: **Joseph Joseph Ltd.**, London (GB)

(\*\*) Term: **15 Years**

(21) Appl. No.: **29/562,429**

(22) Filed: **Apr. 26, 2016**

(30) **Foreign Application Priority Data**

Nov. 2, 2015 (EM) ..... 002844456-0001

(51) **LOC (10) Cl.** ..... **07-05**

(52) **U.S. Cl.**  
USPC ..... **D32/55; D32/58**

(58) **Field of Classification Search**  
USPC ..... D32/55, 276, 3; D6/510, 525; D30/133;  
211/41.5, 41.4, 41.3, 41.8; 361/679.4;  
312/311, 333, 334.4; D7/354, 629  
CPC .. A47L 15/505; A47L 15/503; A47L 15/0013;  
A47L 19/02; A47L 19/04; A47J 47/20  
See application file for complete search history.

(56) **References Cited**

**U.S. PATENT DOCUMENTS**

D377,552 S \* 1/1997 Papadea ..... D32/58  
D417,536 S \* 12/1999 Sum ..... D32/58

D429,863 S \* 8/2000 Lenney ..... D32/55  
D432,750 S \* 10/2000 Rashid ..... D32/55  
D465,891 S \* 11/2002 Brown ..... D32/55  
D532,948 S \* 11/2006 Gillisie ..... D32/55  
D692,199 S \* 10/2013 Huang ..... D32/55  
D695,482 S \* 12/2013 Huang ..... D32/55  
D732,256 S \* 6/2015 Huang ..... D32/55  
D741,563 S \* 10/2015 Ouyang ..... D32/58  
D765,335 S \* 8/2016 Cooper ..... D32/58

\* cited by examiner

*Primary Examiner* — Austin Murphy

(74) *Attorney, Agent, or Firm* — Millen White Zelano & Branigan, P.C.

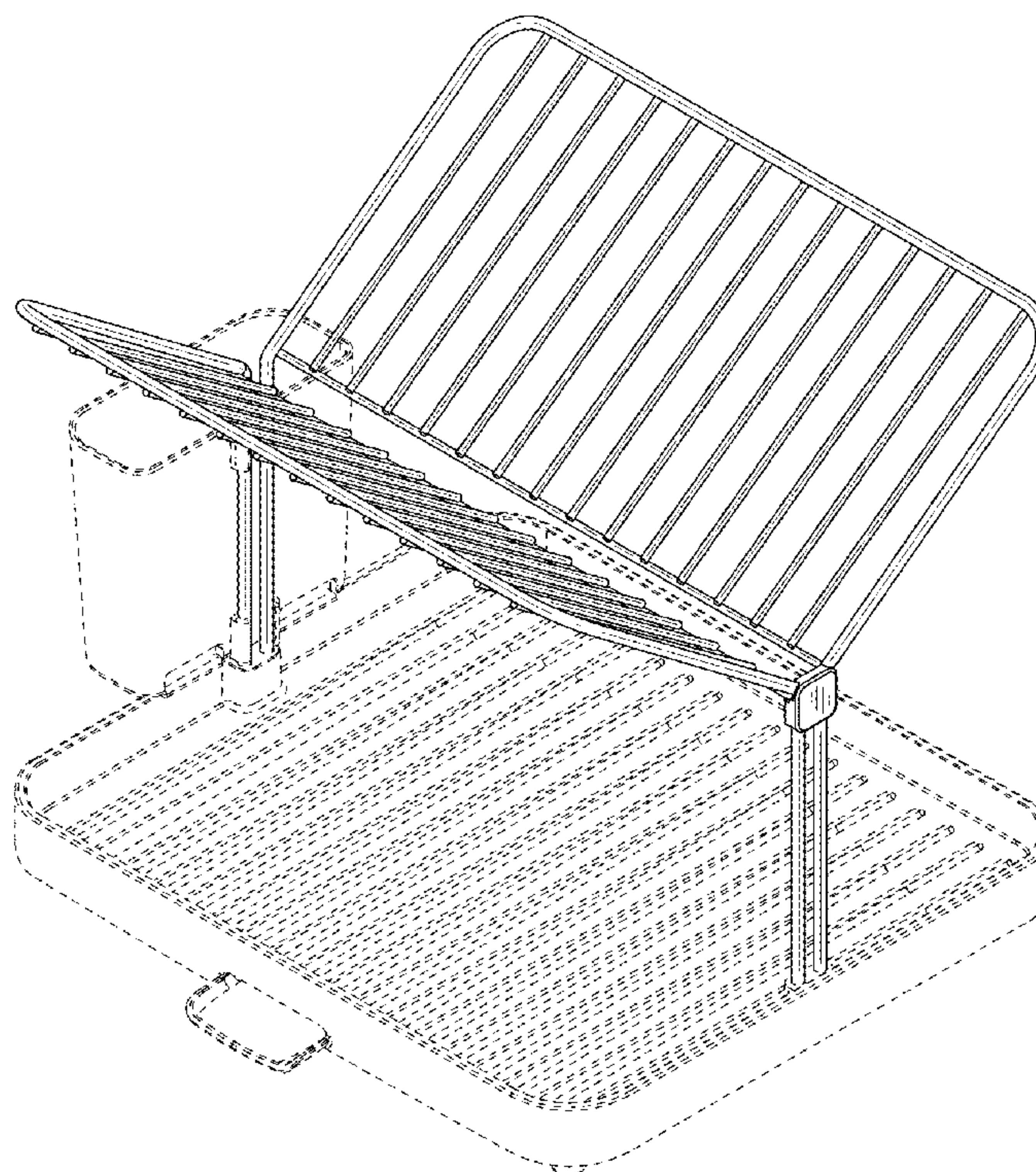
(57) **CLAIM**

The ornamental design for a rack, as shown and described.

**DESCRIPTION**

FIG. 1 is a top perspective view of the rack showing my new design.  
FIG. 2 is a bottom perspective view thereof.  
FIG. 3 is a side view thereof.  
FIG. 4 is another side view thereof.  
FIG. 5 is another side view thereof.  
FIG. 6 is another side view thereof.  
FIG. 7 is a top view thereof; and,  
FIG. 8 is a bottom view thereof.  
The broken lines in the drawings illustrate portions of the rack which form no part of the claimed design.

**1 Claim, 8 Drawing Sheets**



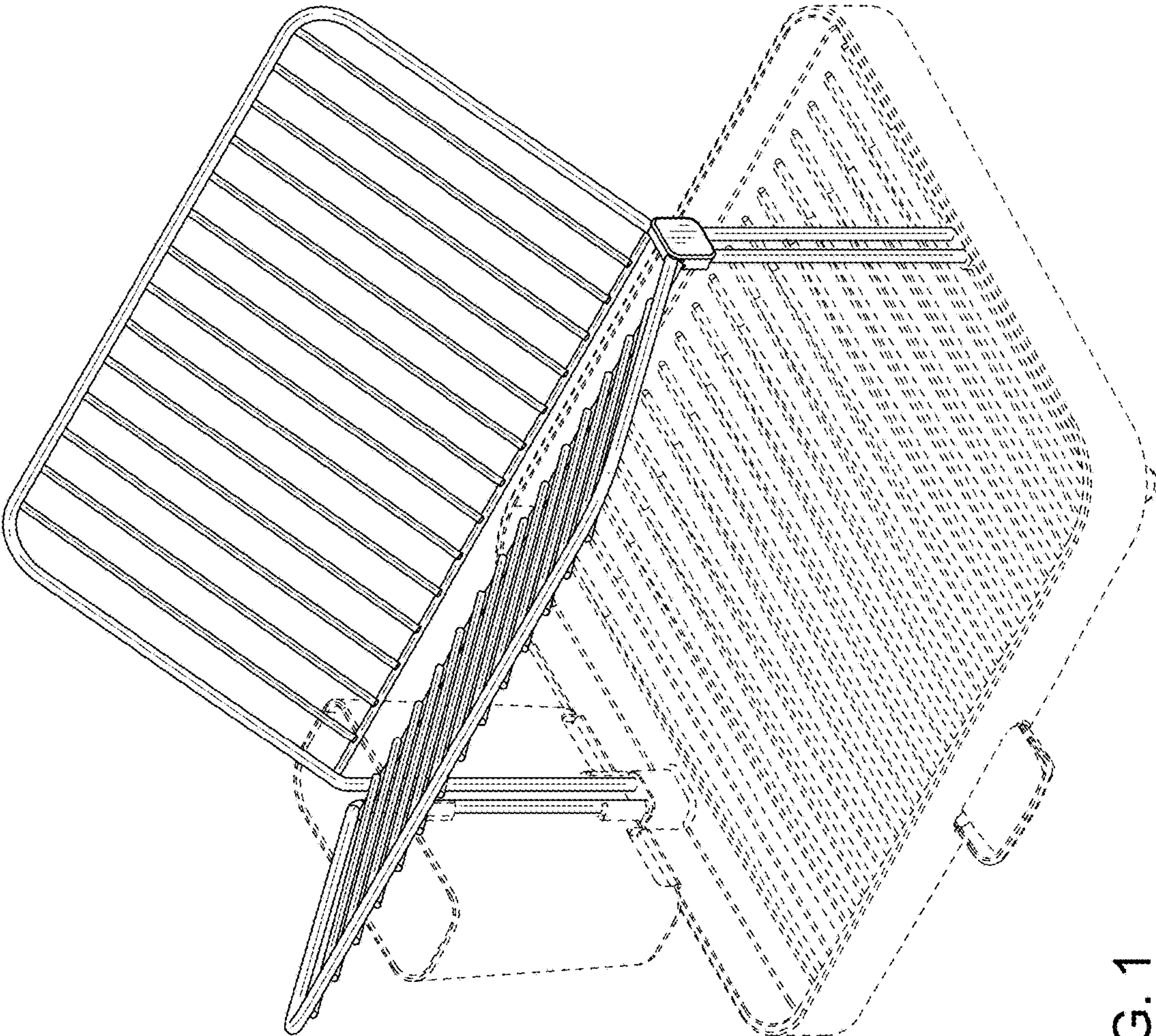


FIG. 1



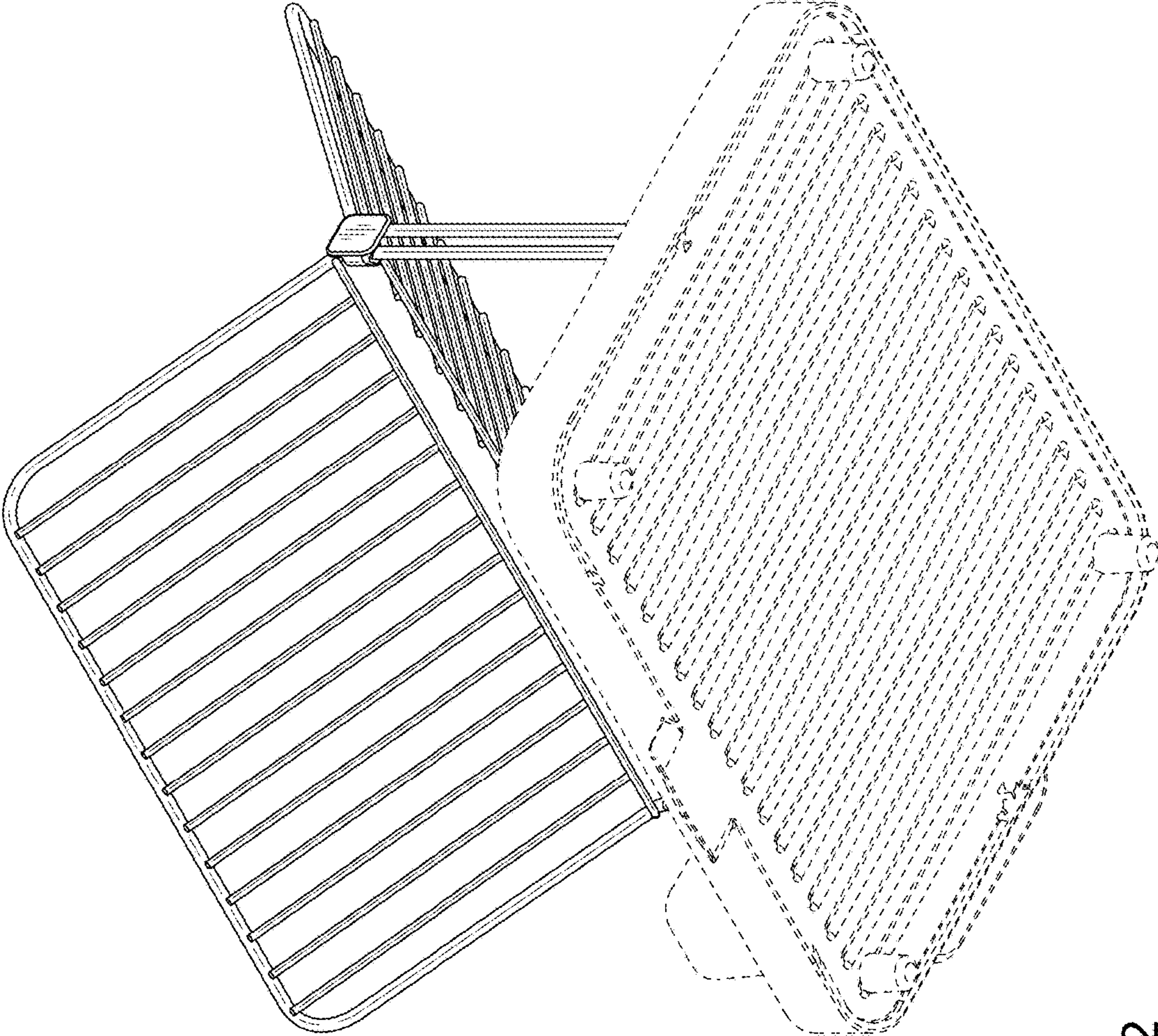


FIG. 2

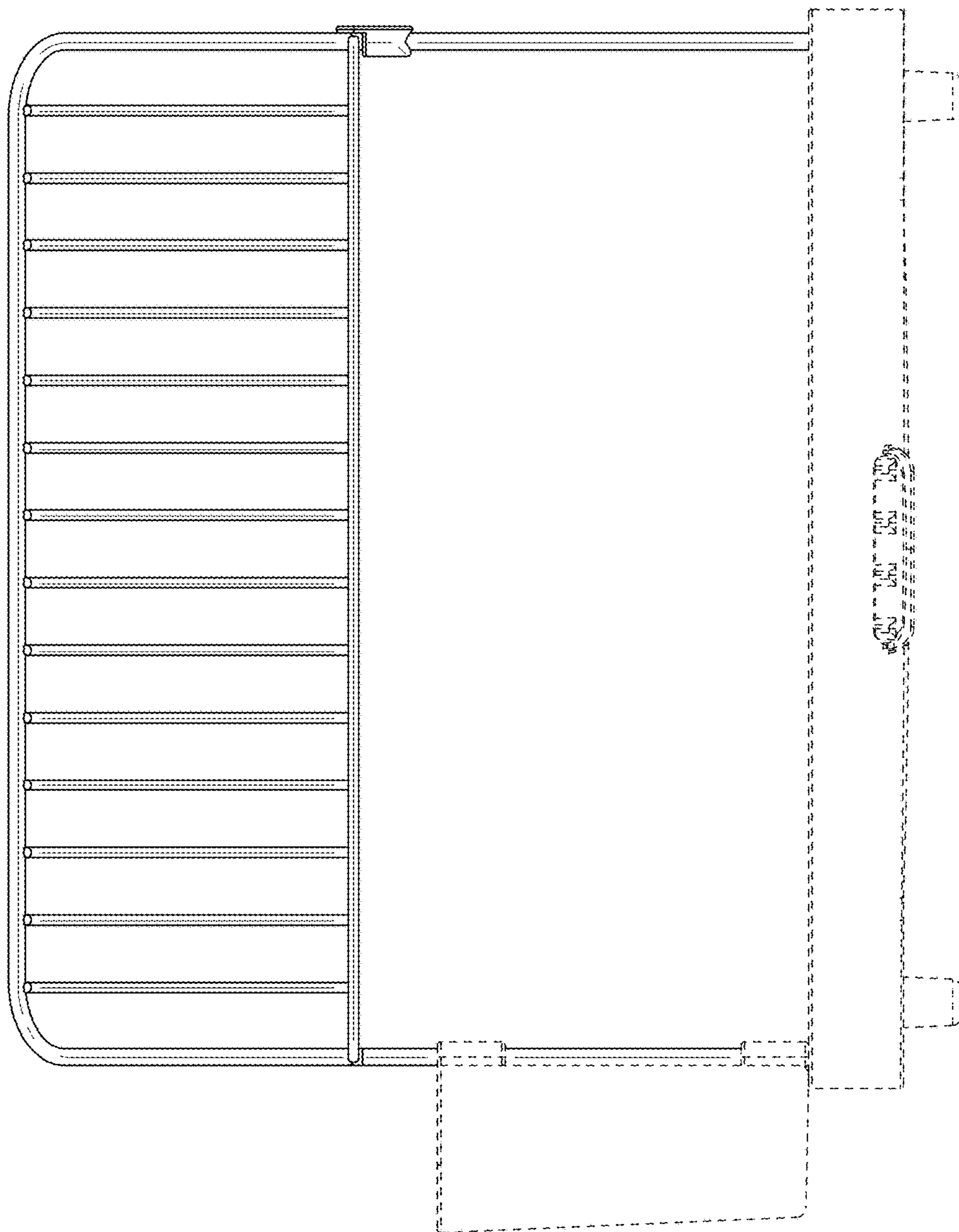


FIG. 3

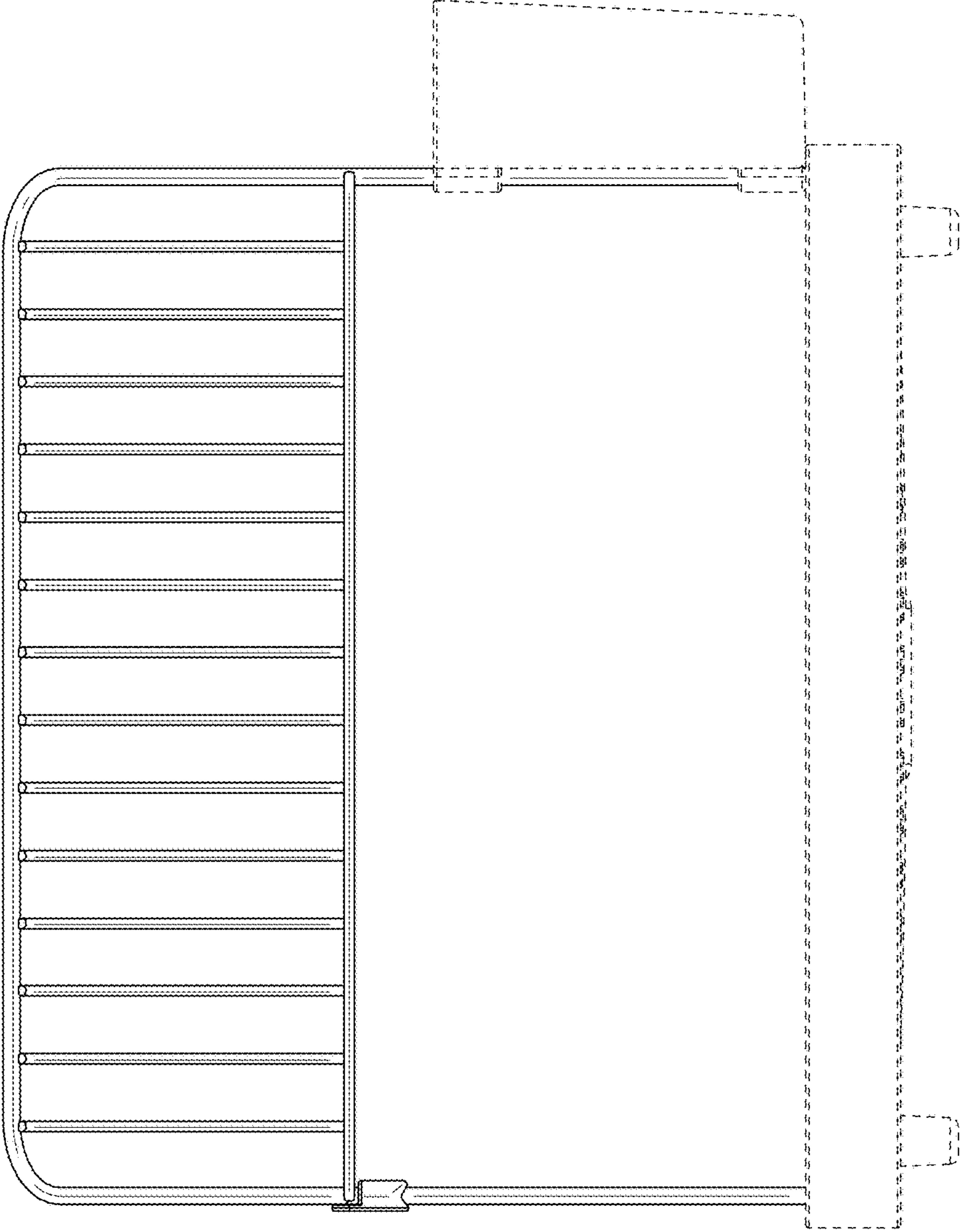


FIG. 4

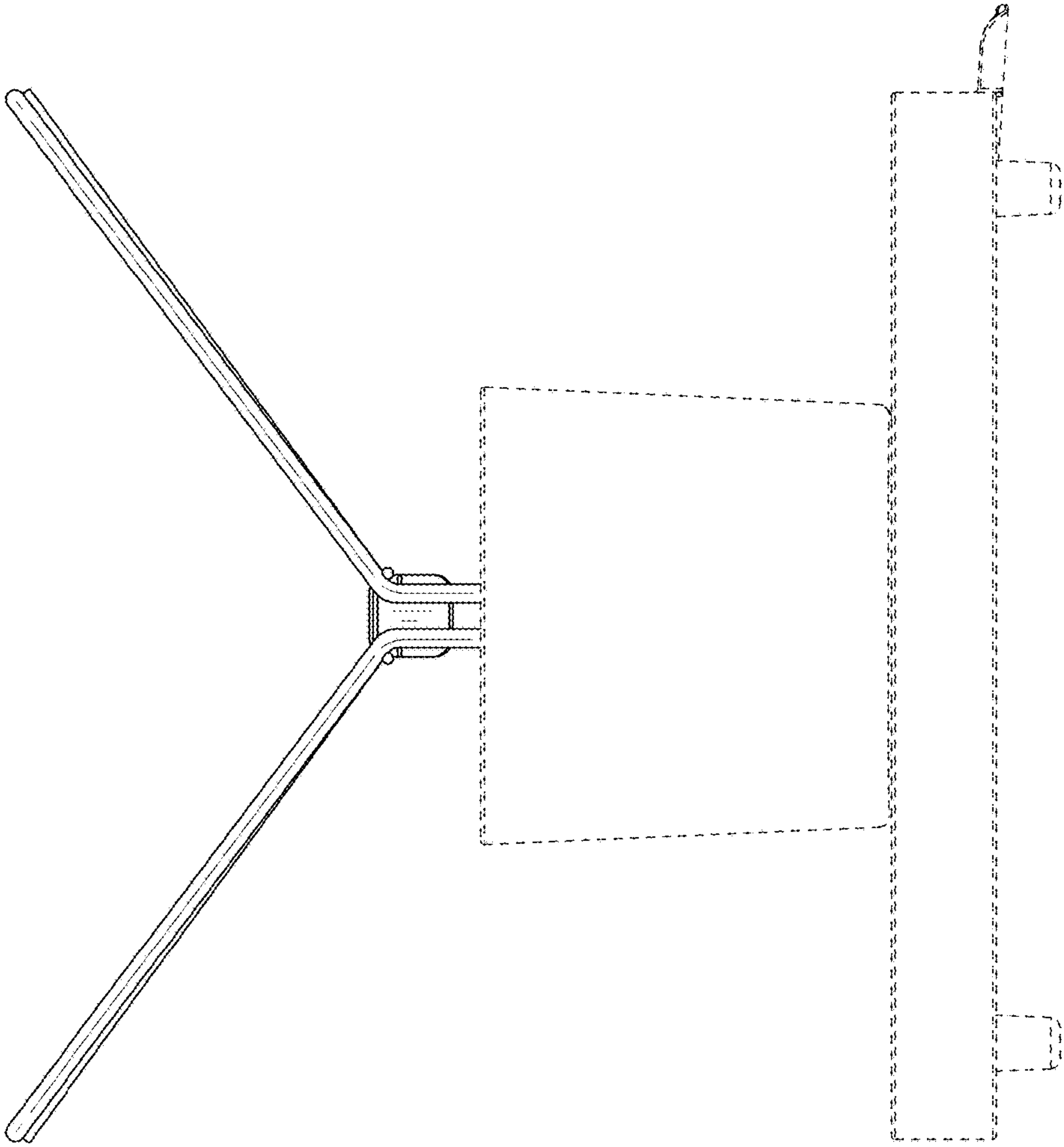


FIG. 5

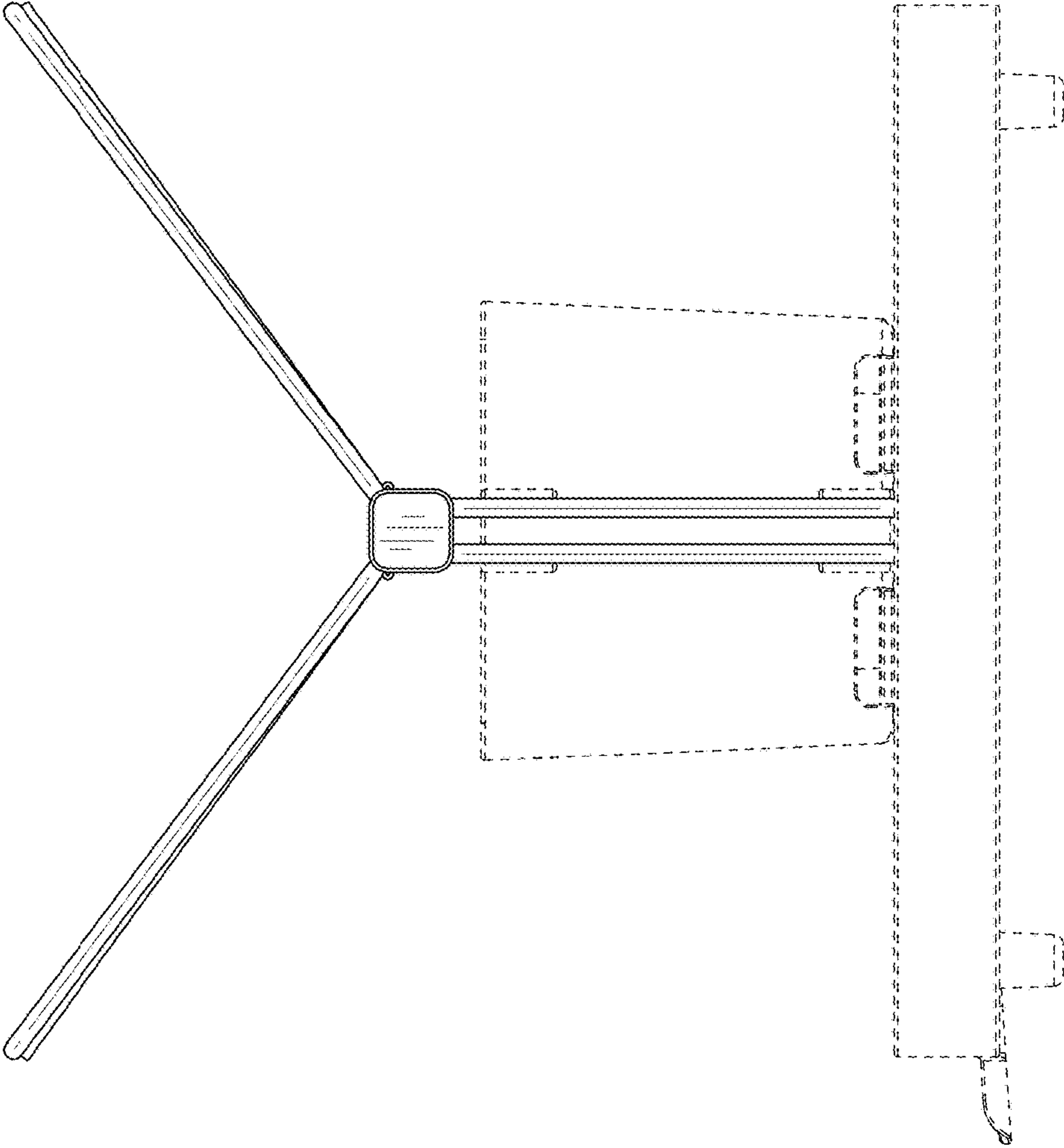


FIG. 6



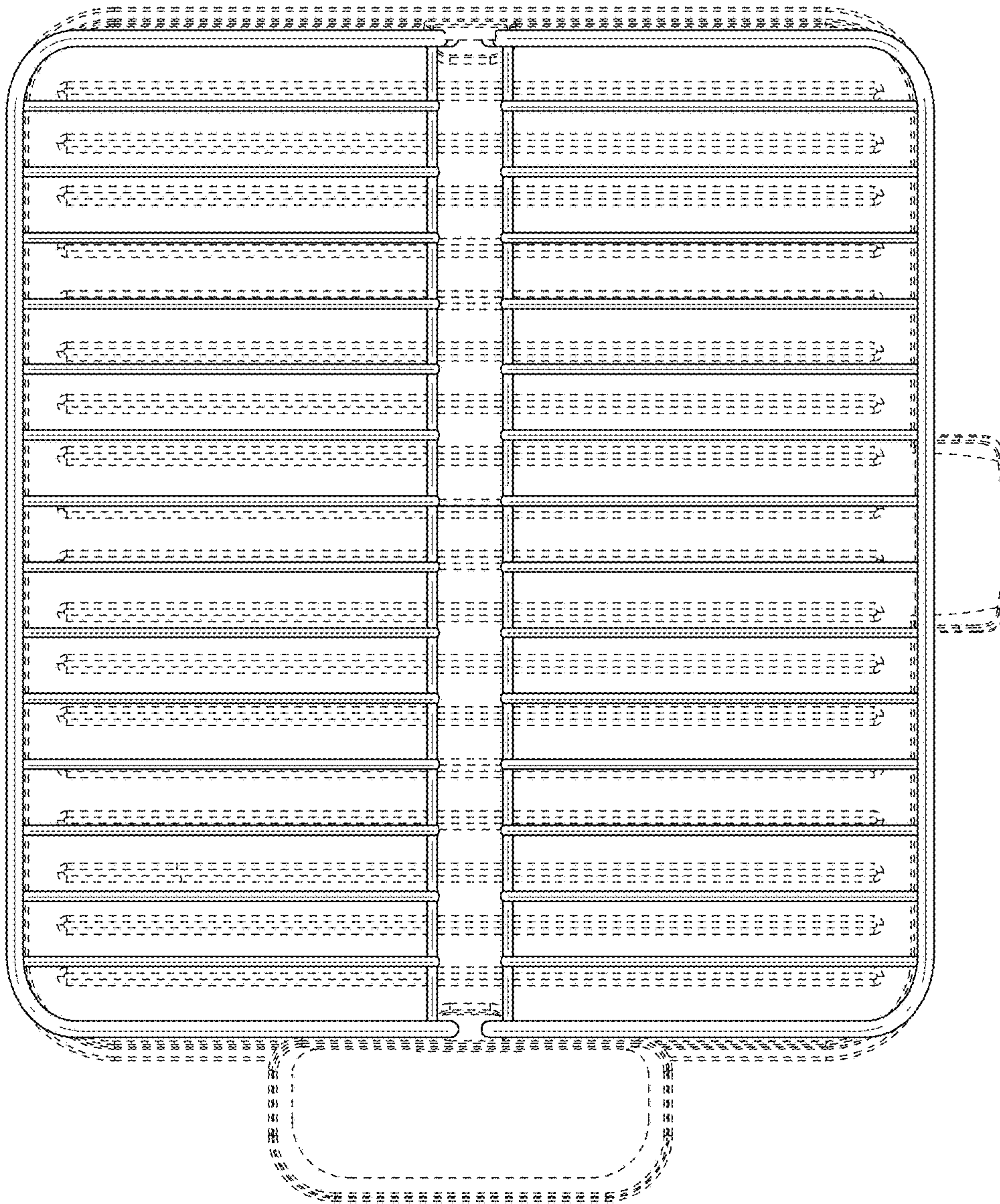


FIG. 7



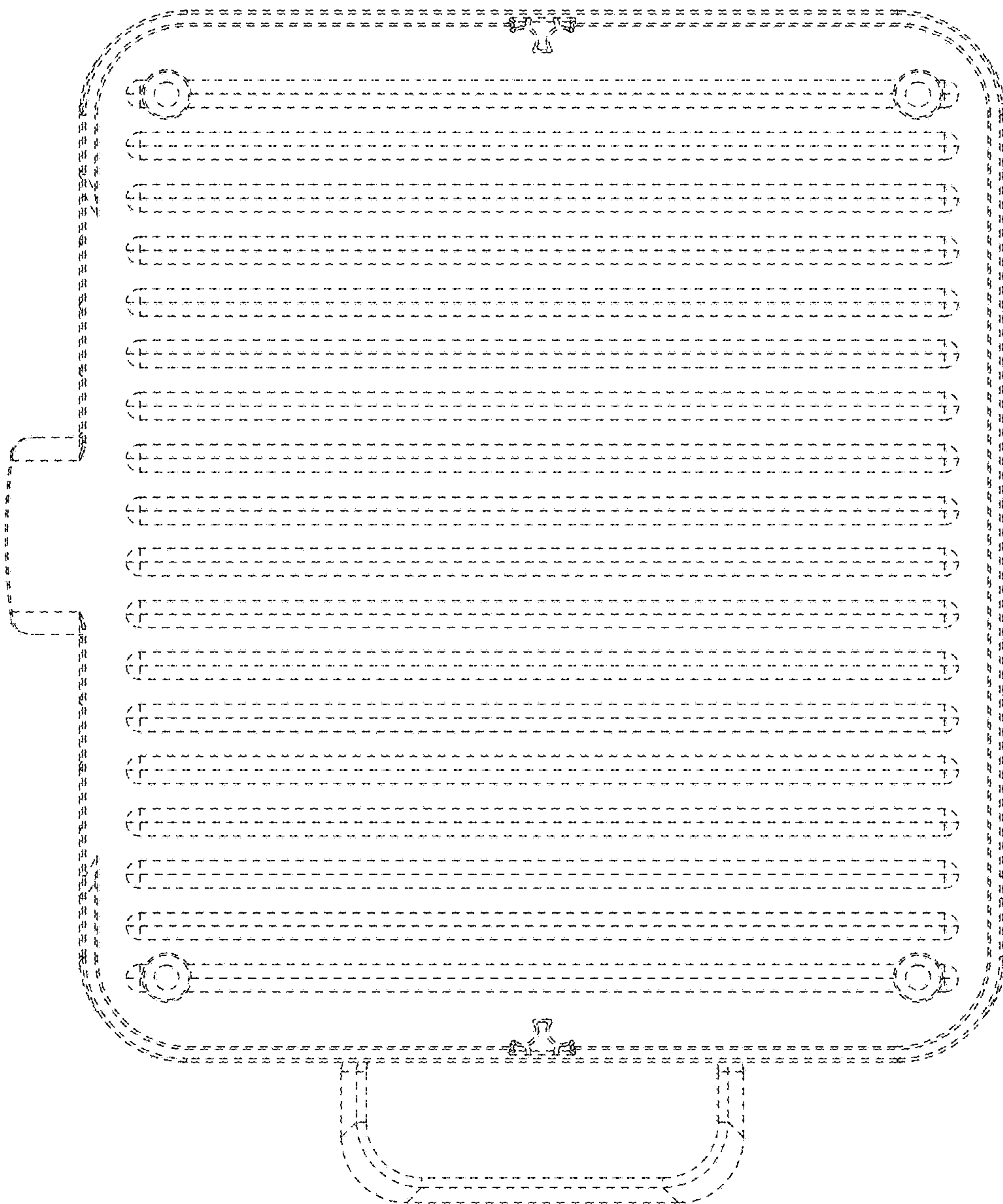


FIG. 8