



US00D787767S

(12) **United States Design Patent** (10) **Patent No.:** **US D787,767 S**
Wall (45) **Date of Patent:** **** May 23, 2017**

(54) **FOLDABLE LAUNDRY HAMPER**
(71) Applicant: **Test Rite Products Corp.**, Ontario, CA (US)
(72) Inventor: **Joseph Wall**, Thatcher, AZ (US)
(**) Term: **14 Years**
(21) Appl. No.: **29/507,746**
(22) Filed: **Oct. 30, 2014**
(51) **LOC (10) Cl.** **07-07**
(52) **U.S. Cl.**
USPC **D32/37**
(58) **Field of Classification Search**
USPC D32/37, 35, 53, 53.1; D4/304-314;
D9/721, 722, 720; 220/9.3, 9.2, 9.4, 9.1,
220/23.83
CPC A45C 7/00; A45C 7/0045; A45C 7/005;
A45C 7/0077; A45C 13/04; D06F 95/002;
D06F 5/004; B65B 67/1244
See application file for complete search history.

Primary Examiner — Susan Bennett Hattan
Assistant Examiner — Rebecca Tsehaye
(74) *Attorney, Agent, or Firm* — Treasure IP Group, LLC

(57) **CLAIM**

The ornamental design for a foldable laundry hamper, as shown and described.

DESCRIPTION

FIG. 1 is a perspective view of a foldable laundry hamper, in an open state;
FIG. 2 is a front view of the foldable laundry hamper of FIG. 1;
FIG. 3 is a top view of the foldable laundry hamper of FIG. 1;
FIG. 4 is a left side view of the foldable laundry hamper of FIG. 1, wherein the right side view is the same as the left side of view;
FIG. 5 is a perspective view of the foldable laundry hamper of FIG. 1, wherein the laundry bags are de-attached from the supporting frame;
FIG. 6 is a perspective view of the foldable laundry hamper of FIG. 1, wherein one of the laundry bags is removed away from the supporting frame;
FIG. 7 is a front view of the supporting frame of the foldable laundry hamper in FIG. 6, wherein the front view is the same as the back view;
FIG. 8 is a top view of the supporting frame of the foldable laundry hamper in FIG. 6;
FIG. 9 is a left side view of the supporting frame of the foldable laundry hamper of FIG. 6, wherein the left side view is the same as the right side of view;
FIG. 10 is a perspective view of the supporting frame of the foldable laundry hamper of FIG. 6, when the supporting frame is in its collapsed state;
FIG. 11 is a front view of the of the supporting frame of the foldable laundry hamper in its collapsed state of FIG. 6, wherein the front view is the same as the back view; and,
FIG. 12 is a top view of the supporting frame of the foldable laundry hamper of FIG. 6 in its collapsed state.

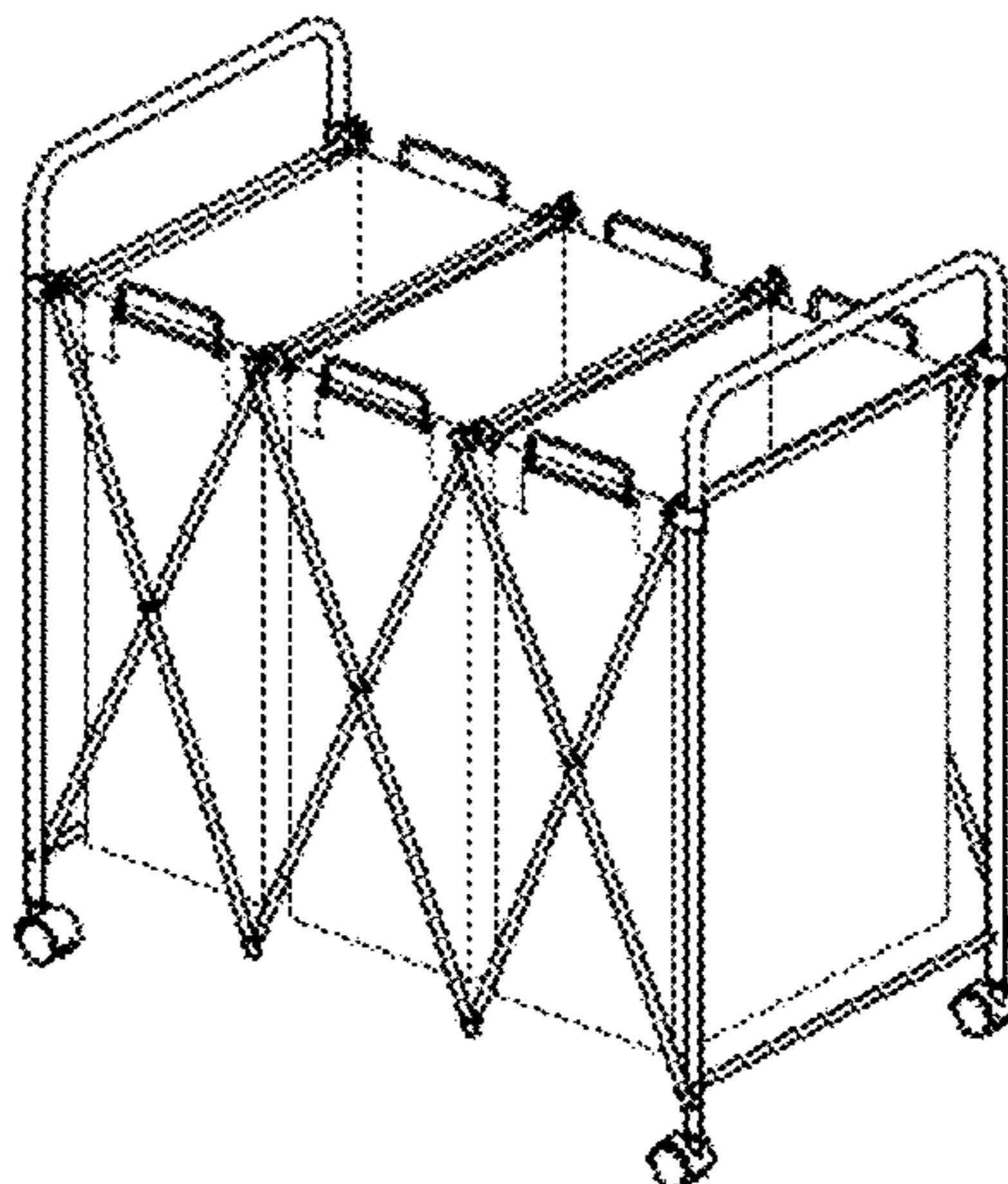
(56) **References Cited**

U.S. PATENT DOCUMENTS

2,020,766 A * 11/1935 Brown B62B 3/106
220/9.3
3,286,752 A * 11/1966 Duryee, Jr. A47G 29/06
220/9.3
3,633,932 A * 1/1972 Holden B62B 3/106
220/9.3
4,354,543 A * 10/1982 Bogner D06F 95/004
220/283
4,646,802 A * 3/1987 Basore B65B 67/1244
220/495.11
5,667,066 A * 9/1997 Simpson D06F 95/002
206/278
D404,861 S * 1/1999 Balensiefer, II D32/37
8,201,702 B2 * 6/2012 Harleman B65F 1/1415
206/223
8,910,813 B1 * 12/2014 Barre D06F 95/002
220/23.83
D732,779 S * 6/2015 Bittle D32/37

* cited by examiner

1 Claim, 12 Drawing Sheets



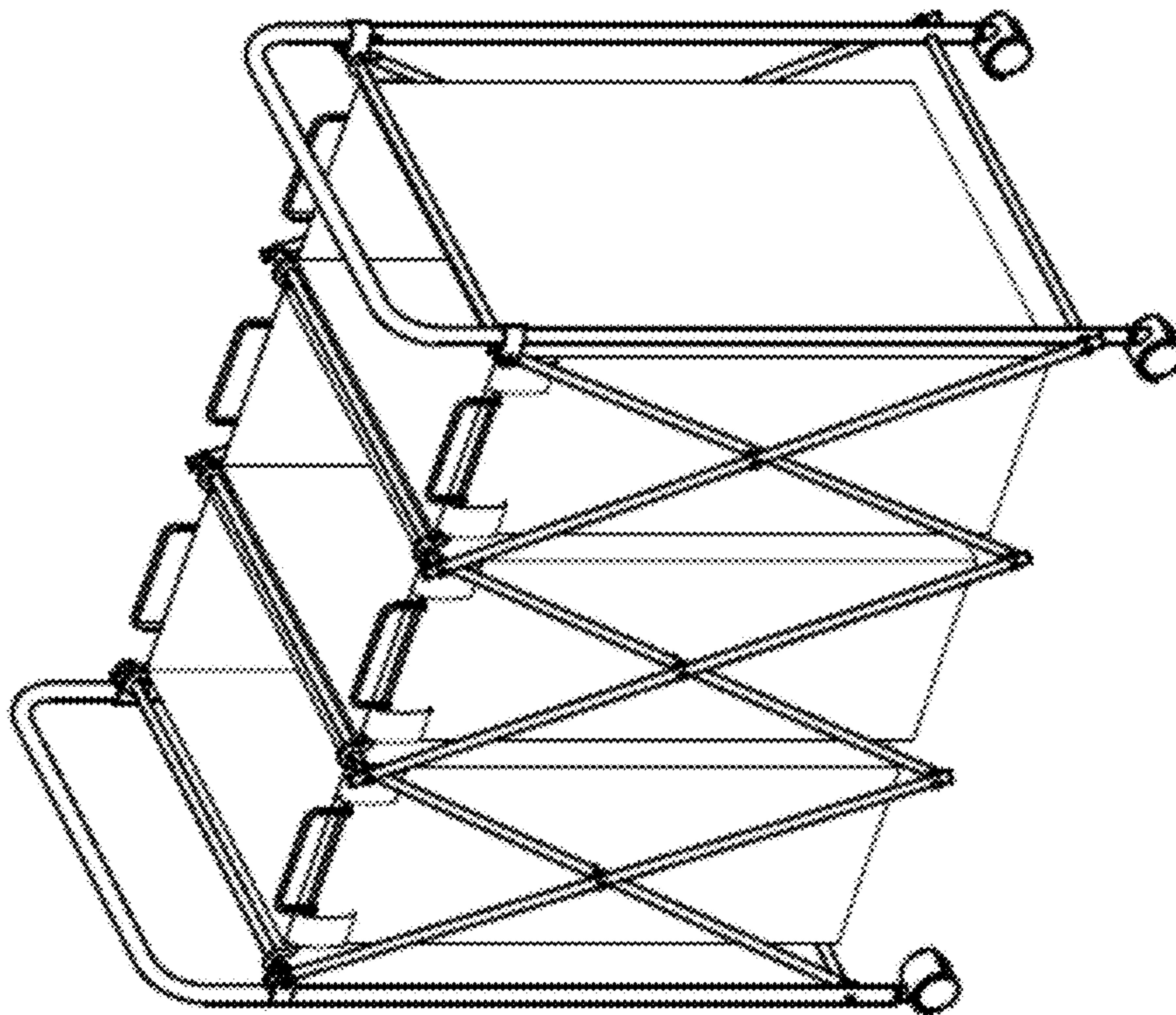


FIG. 1

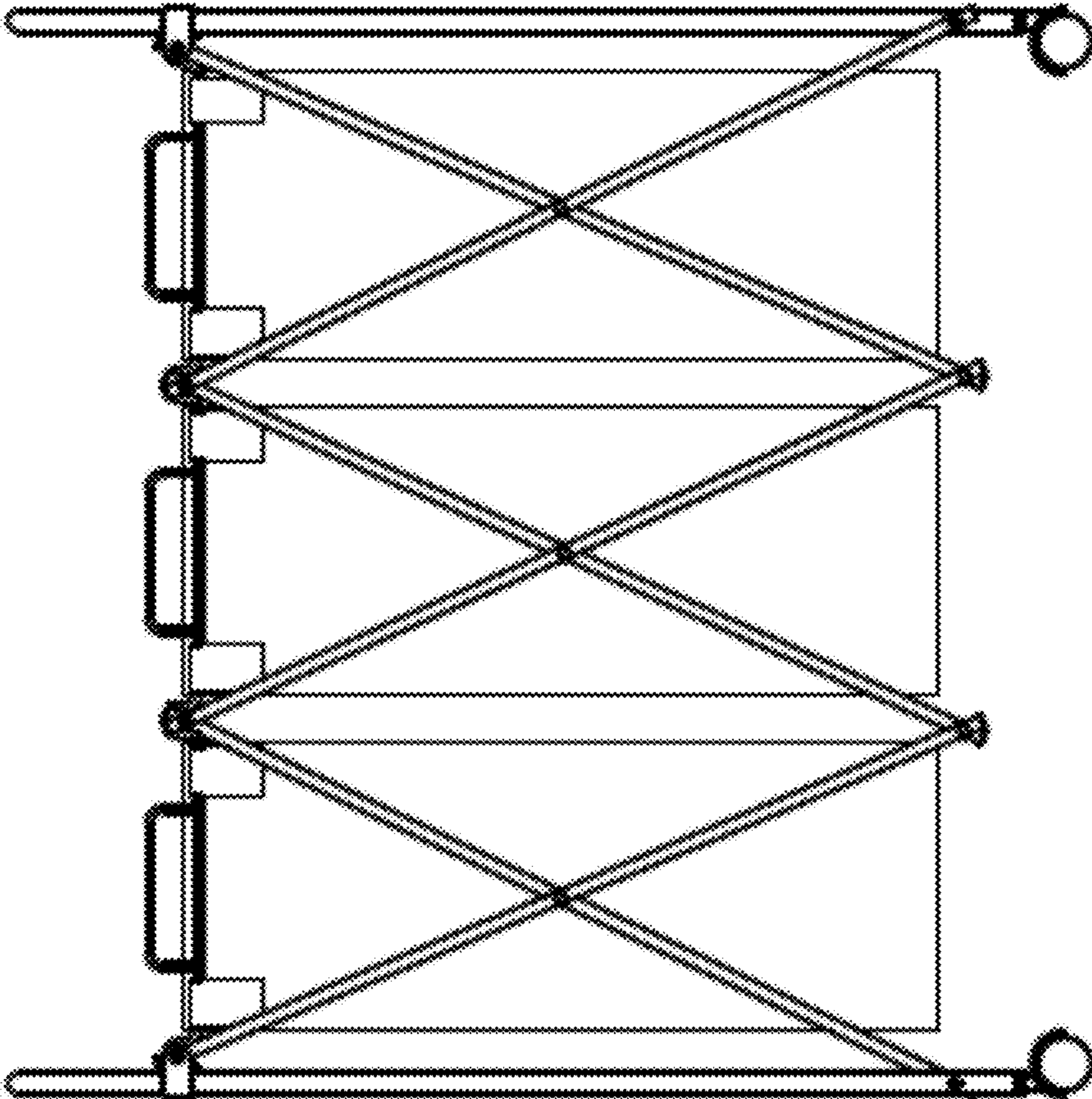


FIG. 2

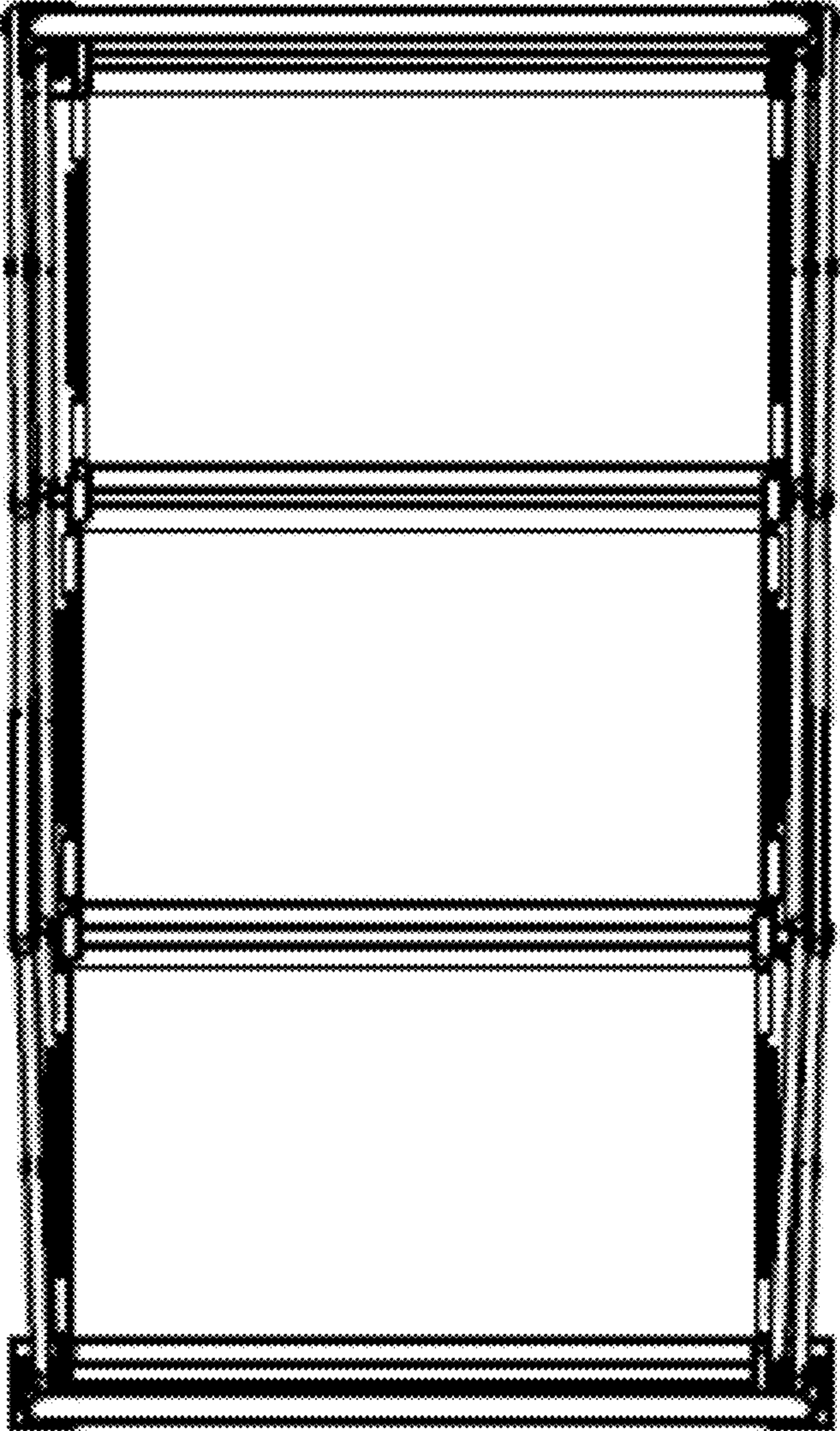


FIG. 3

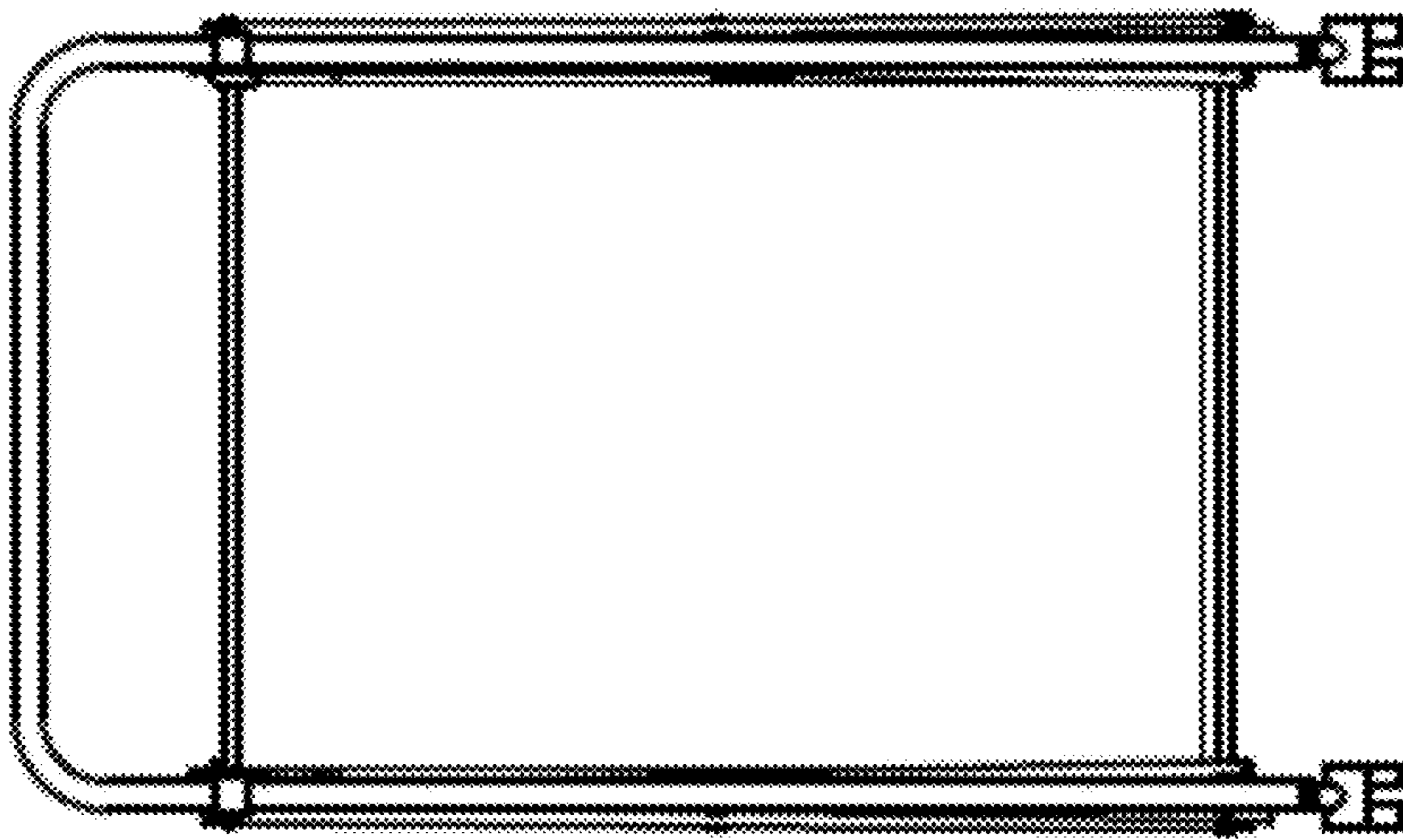


FIG. 4

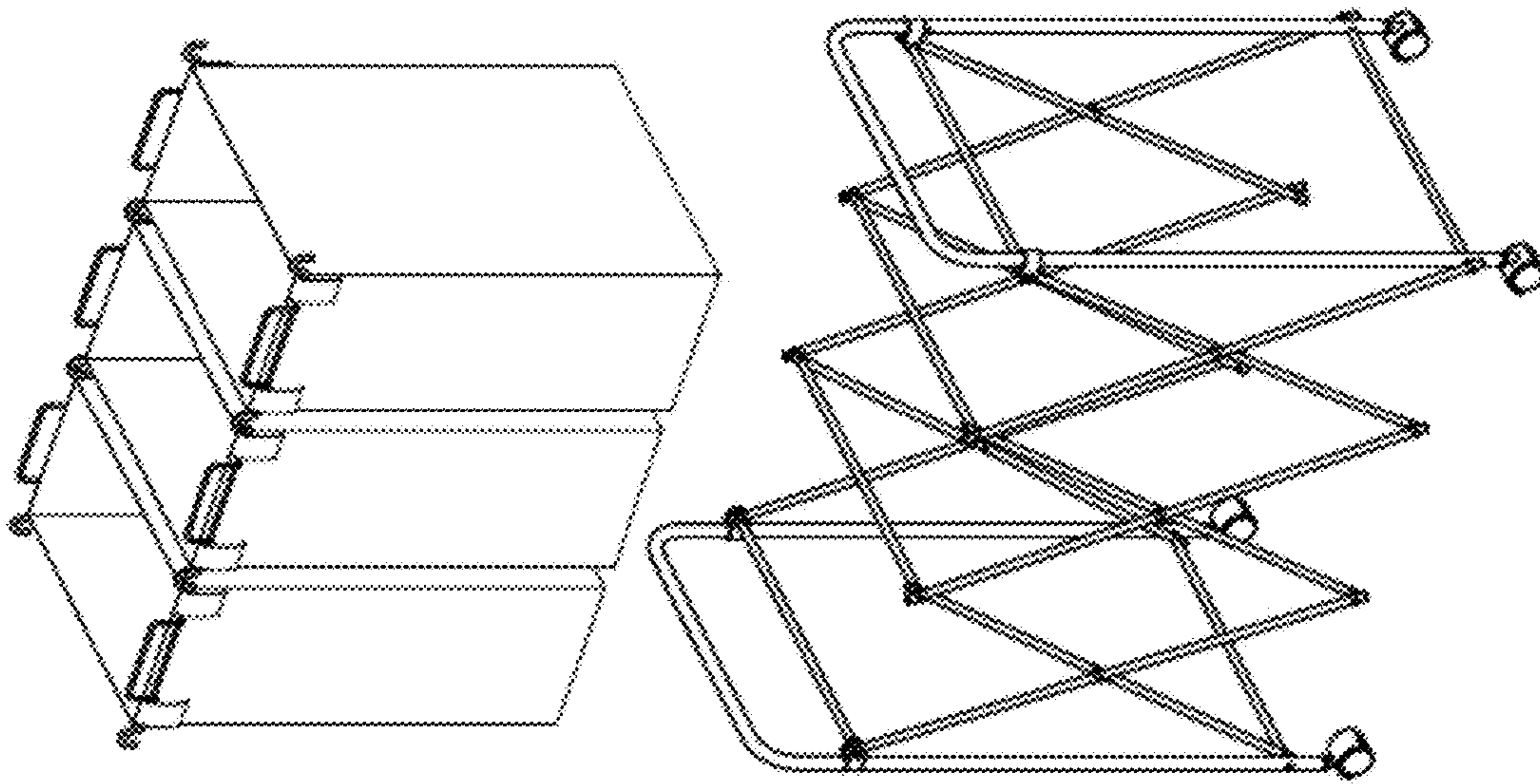


FIG. 5

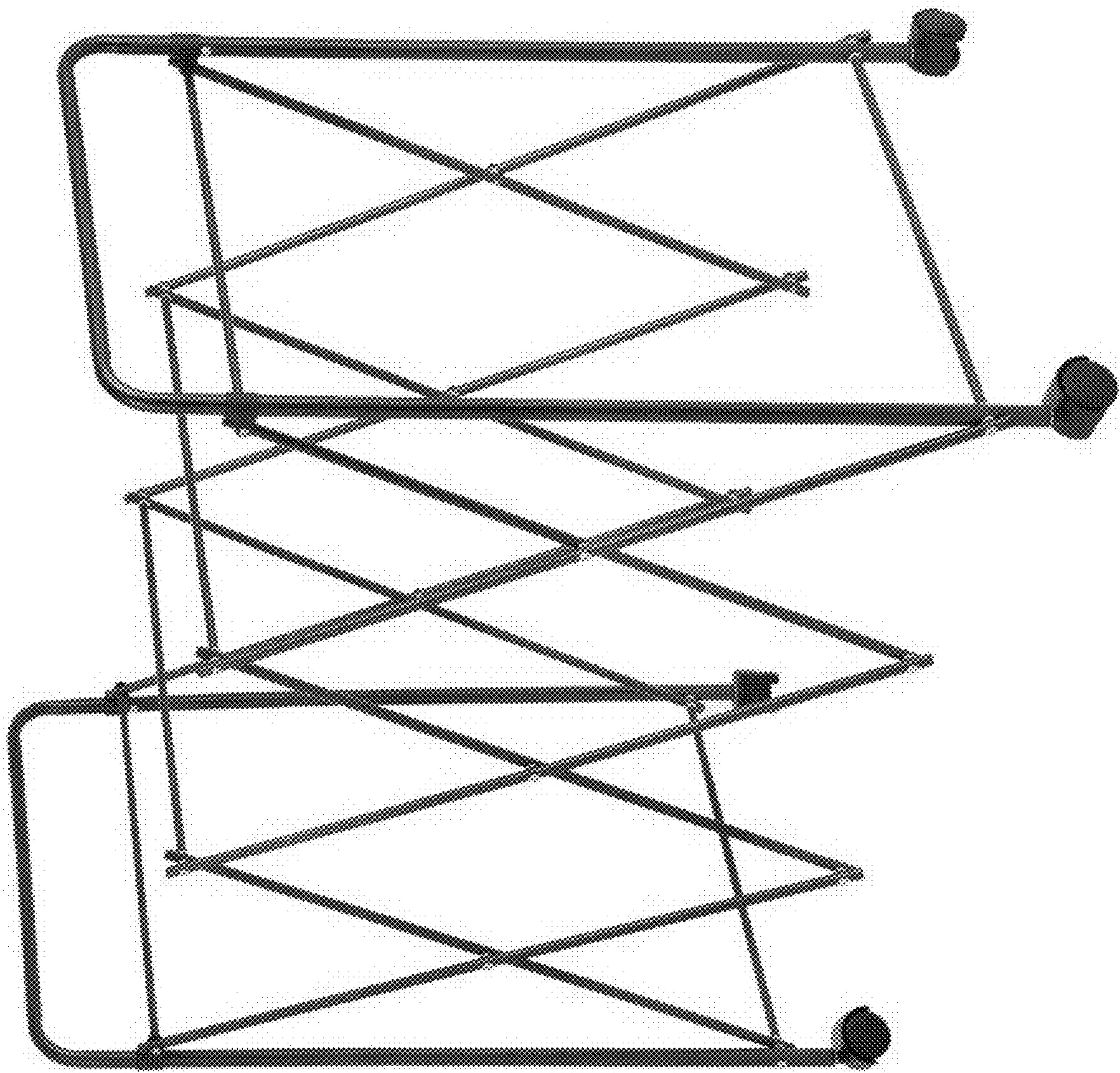


Fig. 6

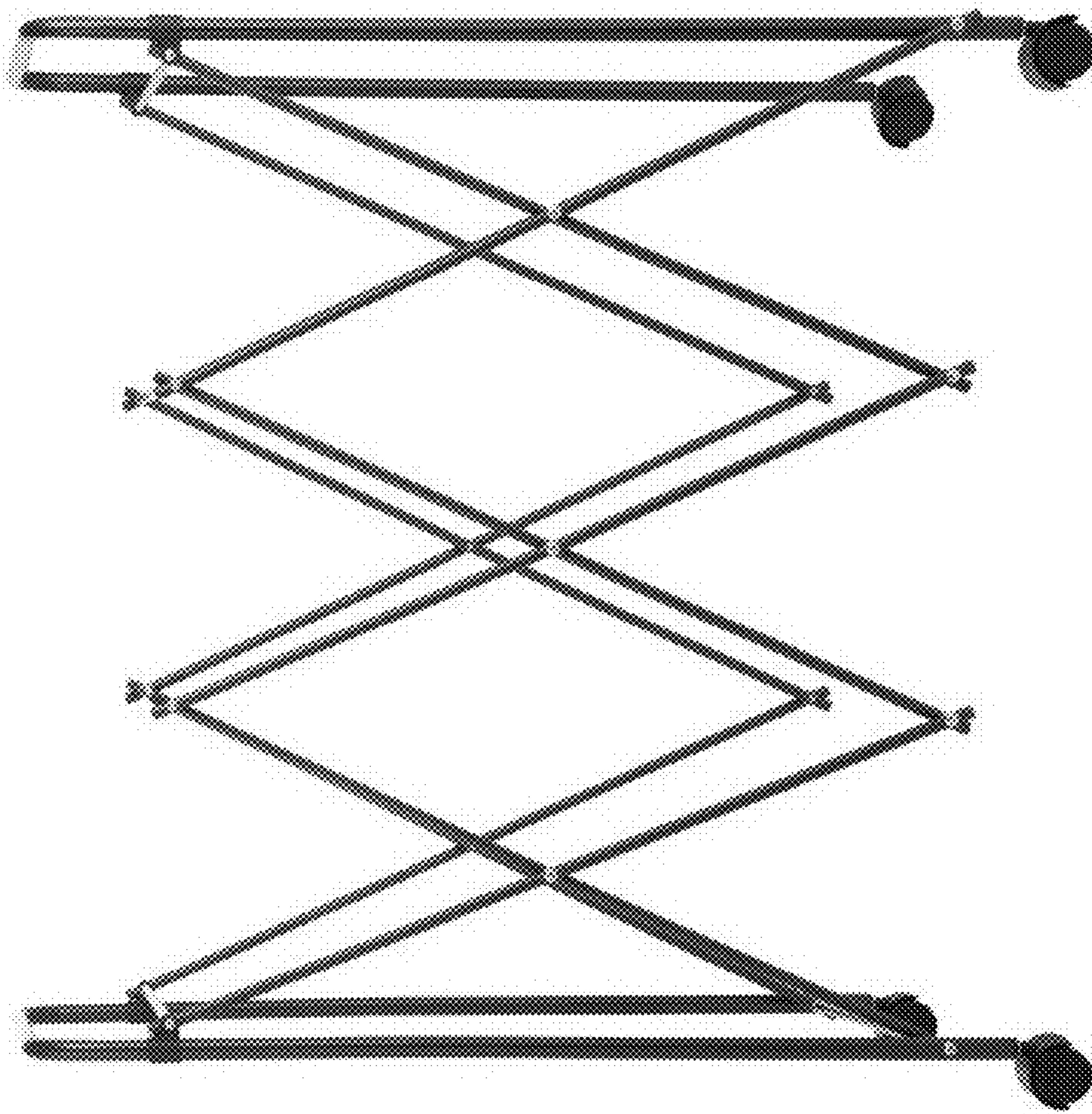
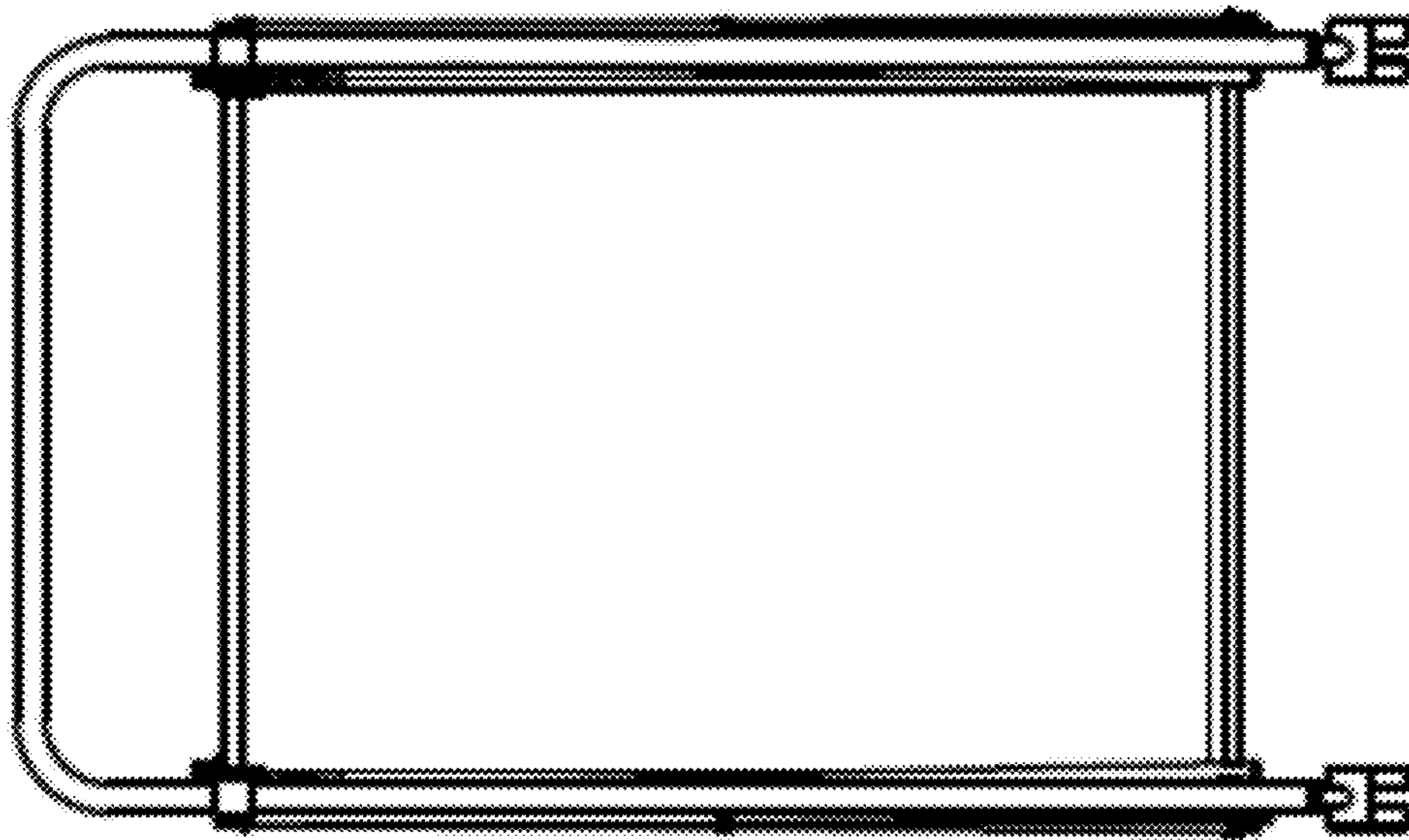


Fig. 7



Fig. 8

FIG. 9



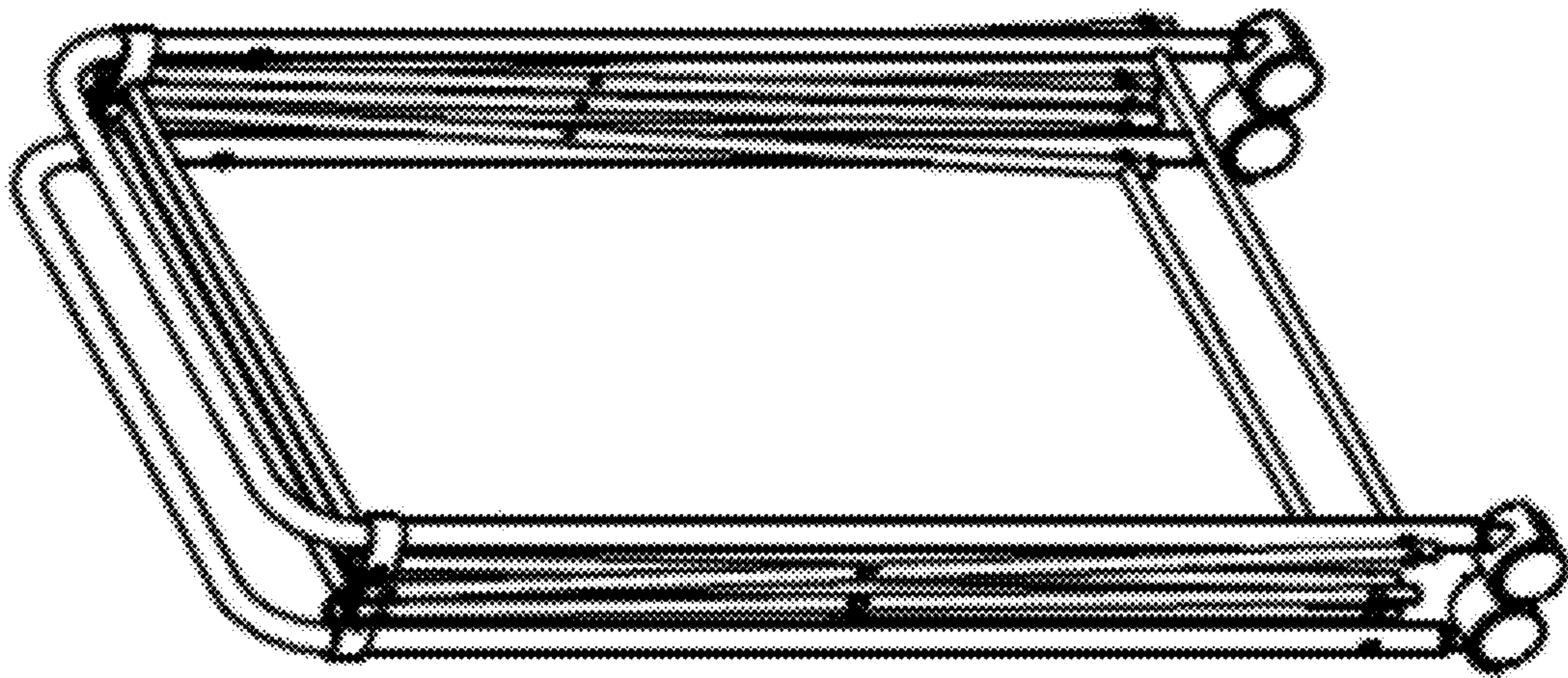


FIG.10

FIG.11



FIG. 12

