



US00D787766S

(12) **United States Design Patent**
Nam et al.

(10) **Patent No.:** **US D787,766 S**
(45) **Date of Patent:** **** May 23, 2017**

(54) **NOZZLE FOR VACUUM CLEANER**

(71) Applicant: **LG ELECTRONICS INC.**, Seoul (KR)

(72) Inventors: **Bohyun Nam**, Seoul (KR); **Hyosung Kim**, Seoul (KR); **Namhee Kim**, Seoul (KR); **Hyeonjeong An**, Seoul (KR)

(73) Assignee: **LG ELECTRONICS INC.**, Seoul (KR)

(**) Term: **15 Years**

(21) Appl. No.: **29/534,119**

(22) Filed: **Jul. 27, 2015**

(30) **Foreign Application Priority Data**

Feb. 23, 2015 (KR) 30-2015-0009121

(51) **LOC (10) Cl.** **15-05**

(52) **U.S. Cl.**
USPC **D32/32**

(58) **Field of Classification Search**
USPC D32/31-33, 17
CPC .. D06F 87/00; A47L 5/24; A47L 11/34; A47L 11/4044; A47L 11/4086; A47L 9/02; A47L 9/0461; A47L 9/0693; A47L 9/06; A47L 7/009

See application file for complete search history.

(56) **References Cited**

U.S. PATENT DOCUMENTS

D333,539 S *	2/1993	Kramer	D32/32
D507,854 S *	7/2005	Kim	D32/32
D518,932 S *	4/2006	Maruyama	D32/32
D556,963 S *	12/2007	Houghton	D32/32
D643,168 S *	8/2011	Dyson	D32/32
D649,725 S *	11/2011	Fjellman	D32/32
D698,510 S *	1/2014	Chu	D32/32
D706,504 S *	6/2014	Park	D32/33
D740,507 S *	10/2015	Chu	D32/32
D741,559 S *	10/2015	Marsden	D32/32

* cited by examiner

Primary Examiner — Ruth McNroy

(74) *Attorney, Agent, or Firm* — Ked & Associates LLP

(57) **CLAIM**

We claim the ornamental design for a nozzle for vacuum cleaner, as shown and described.

DESCRIPTION

FIG. 1 is a perspective view of a nozzle for vacuum cleaner showing our new design;

FIG. 2 is a front elevation view thereof;

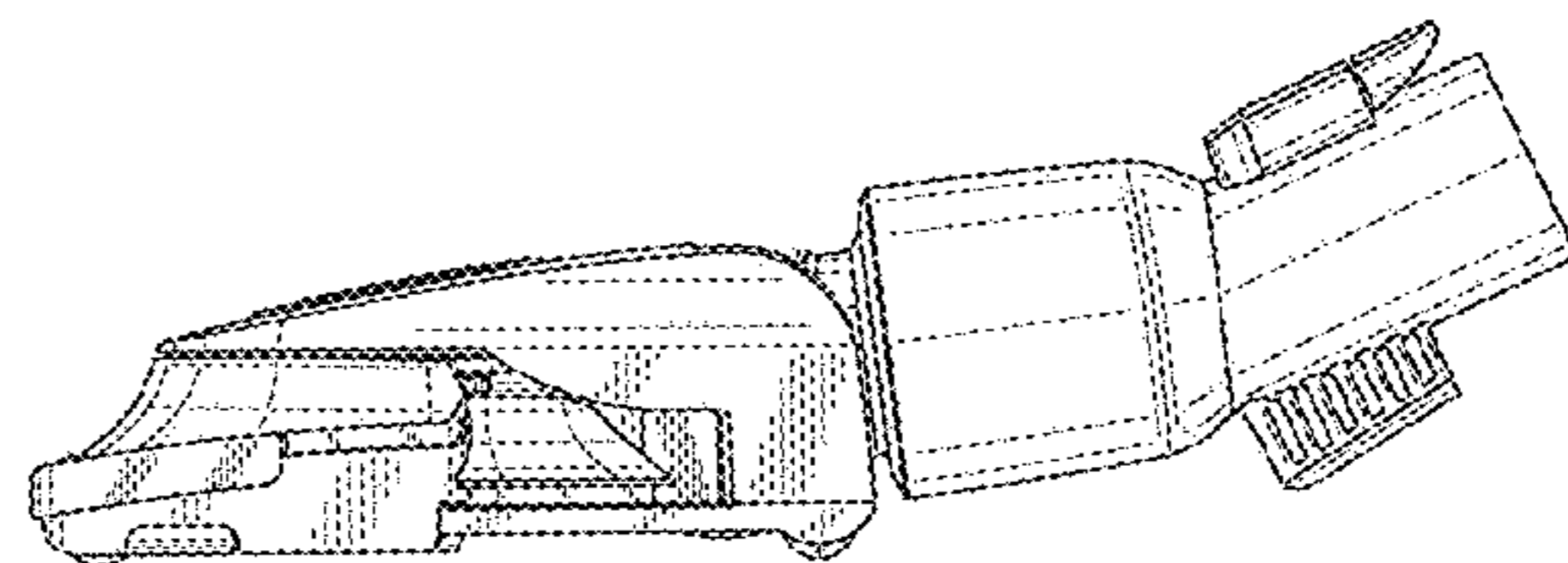
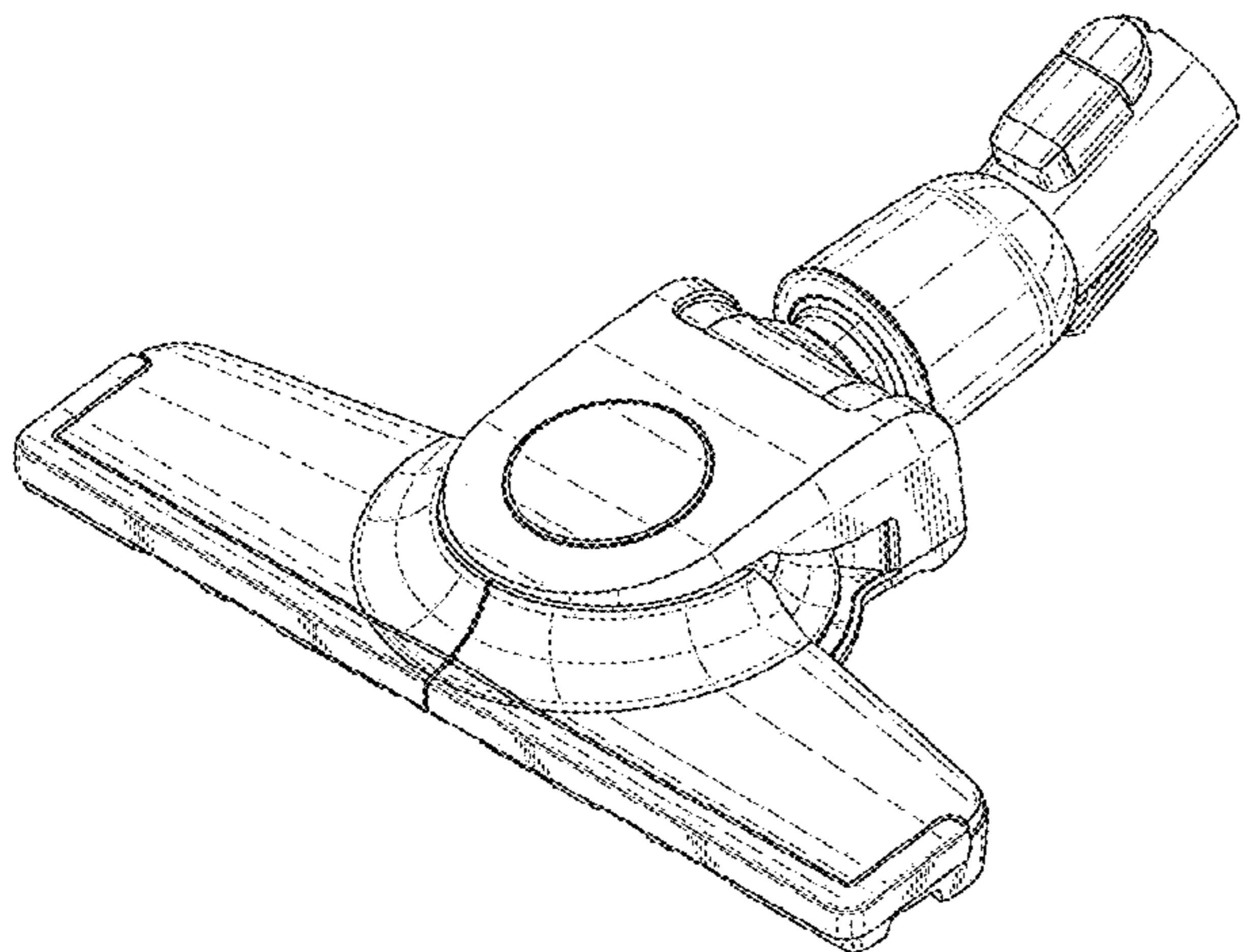
FIG. 3 is a rear elevation view thereof;

FIG. 4 is a left-side elevation view thereof;

FIG. 5 is a right-side elevation view thereof; and,

FIG. 6 is a top plan view thereof.

1 Claim, 6 Drawing Sheets



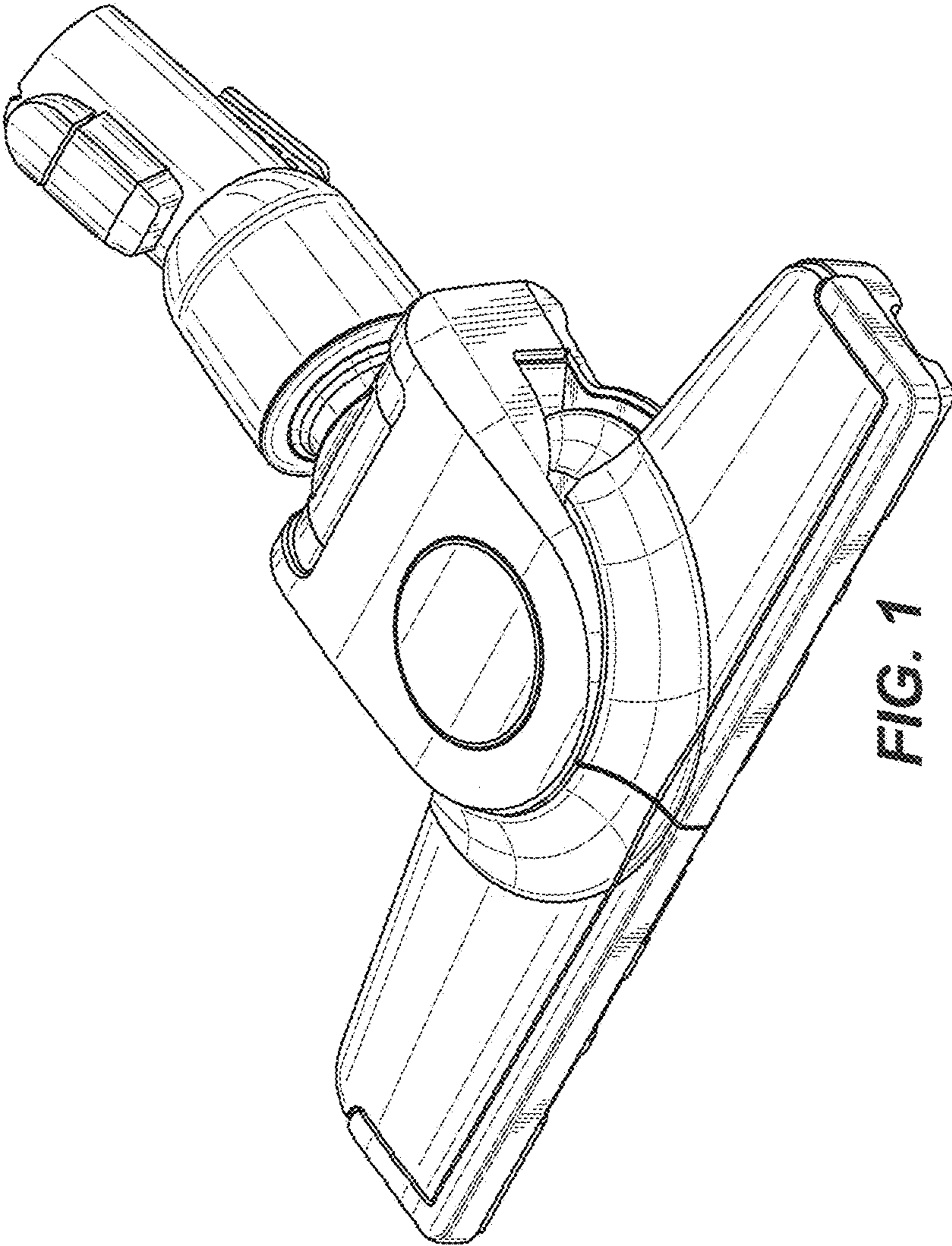


FIG. 1

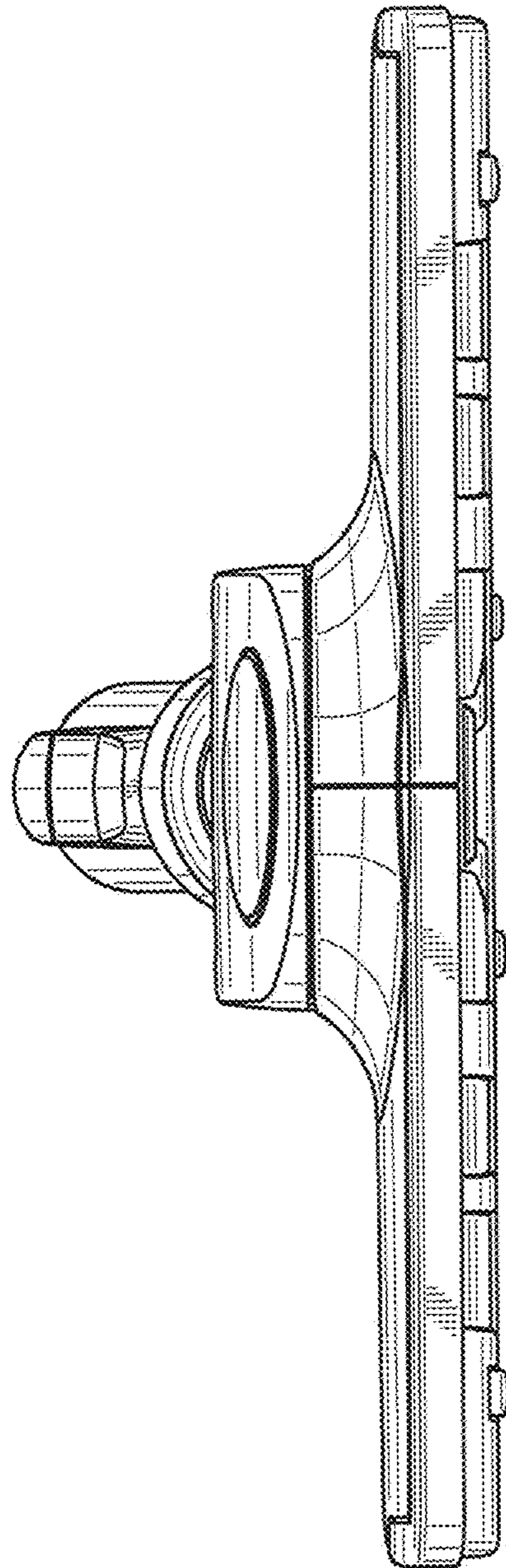


FIG. 2

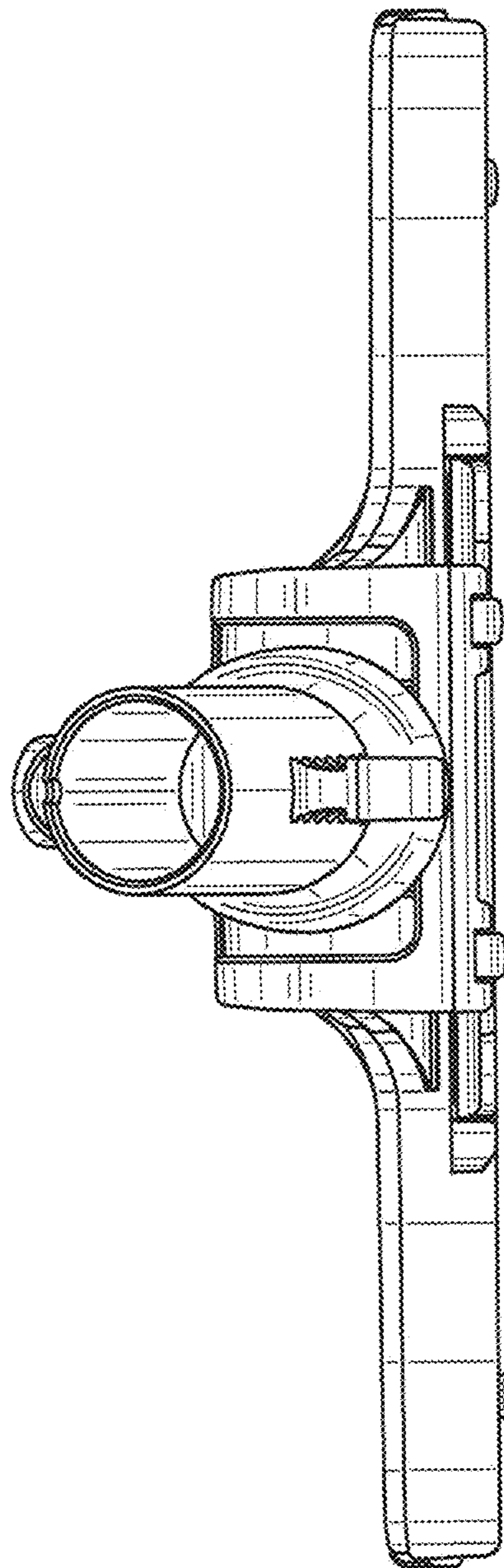


FIG. 3

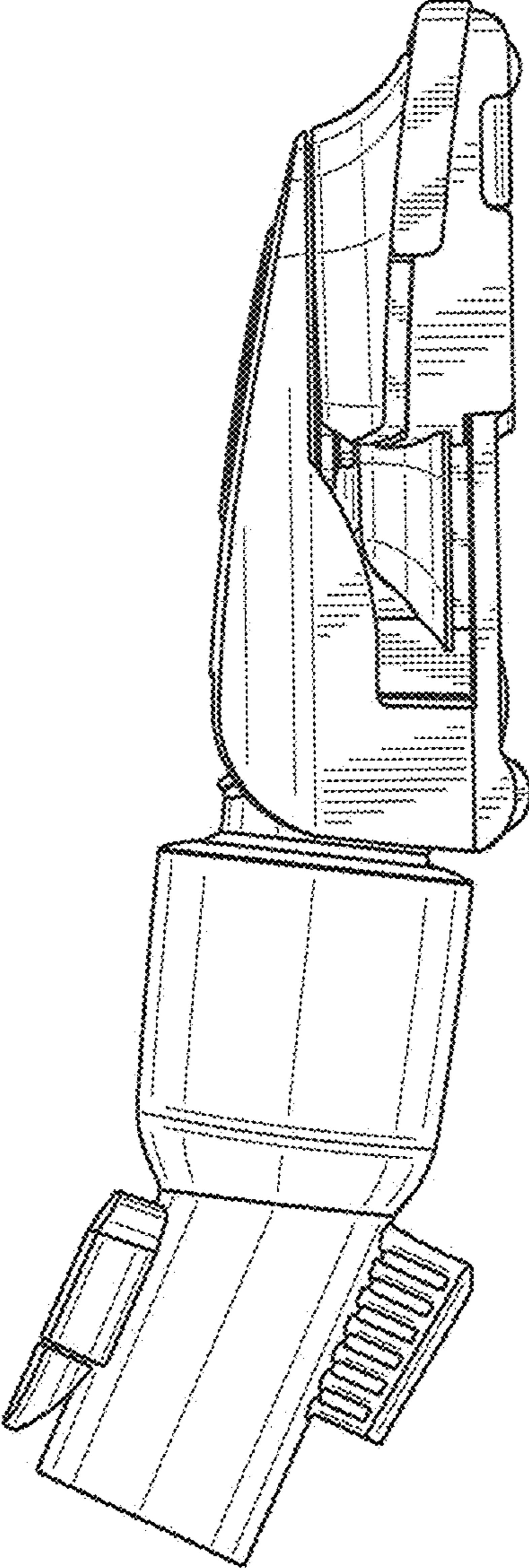


FIG. 4

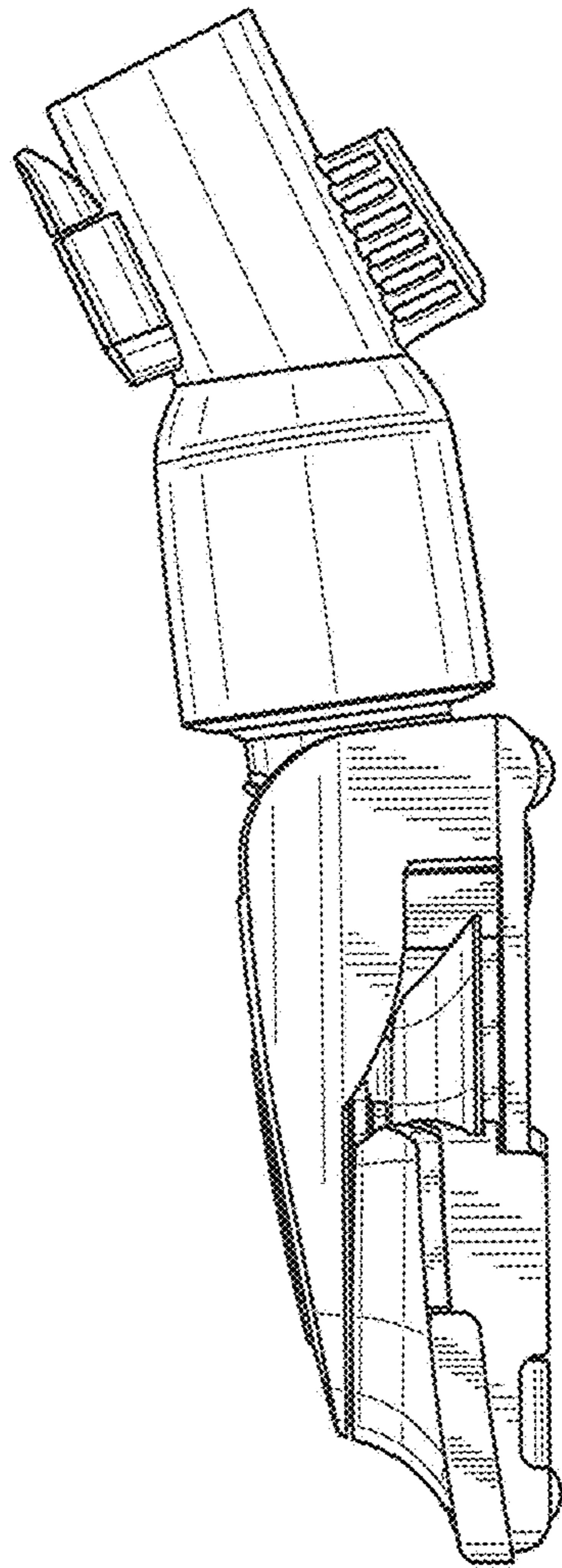


FIG. 5

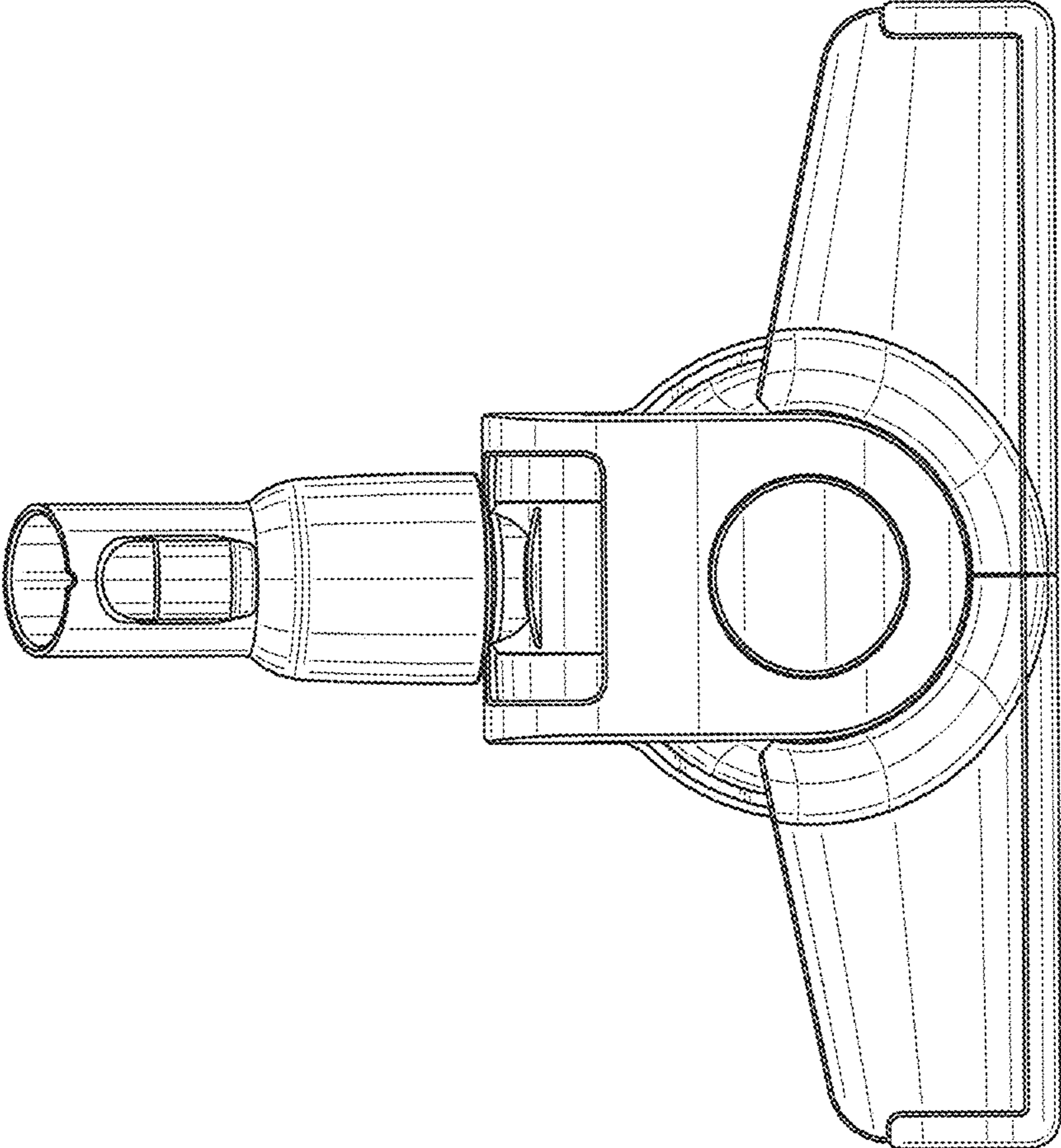


FIG. 6