



US00D787765S

(12) **United States Design Patent** (10) **Patent No.:** **US D787,765 S**
Seasholtz et al. (45) **Date of Patent:** **** May 23, 2017**

(54) **VACUUM CLEANER**
(71) Applicant: **SHOP VAC CORPORATION**,
Williamsport, PA (US)
(72) Inventors: **Craig A. Seasholtz**, Avis, PA (US);
John Griffin, Phoenix, AZ (US)
(73) Assignee: **SHOP VAC CORPORATION**,
Williamsport, PA (US)
(**) Term: **15 Years**
(21) Appl. No.: **29/544,116**
(22) Filed: **Oct. 30, 2015**
(51) **LOC (10) Cl.** **15-05**
(52) **U.S. Cl.**
USPC **D32/31**
(58) **Field of Classification Search**
USPC D32/21-23, 31, 34
CPC G06N 3/008; A47L 9/2857; A47L 9/2842;
A47L 9/2852; A47L 9/00; A47L 9/325;
A47L 5/36-5/367; A47L 7/0019; A47L
7/0004; A47L 11/34; A47L 11/29; A47L
11/30; E04H 4/1654
See application file for complete search history.

D588,761 S * 3/2009 Griffin D32/31
D615,718 S * 5/2010 Crevling, Jr. D32/23
D623,813 S * 9/2010 Seasholtz D32/31
D634,084 S * 3/2011 Griffin D32/31
D644,800 S * 9/2011 Seasholtz D32/31
D683,090 S 5/2013 Griffin et al.
D717,507 S * 11/2014 Fry D32/31
D728,875 S * 5/2015 Fry D32/23

FOREIGN PATENT DOCUMENTS

JP 1400371 11/2010

* cited by examiner

Primary Examiner — Ruth McInroy

(74) *Attorney, Agent, or Firm* — Marshall, Gerstein & Borun LLP

(57) **CLAIM**

The ornamental design for a vacuum cleaner, as shown and described.

DESCRIPTION

FIG. 1 is a top, right-side, and front view of a vacuum cleaner, showing the new design.

FIG. 2 is a front elevation view of the vacuum cleaner.

FIG. 3 is a right-side elevation view of the vacuum cleaner.

FIG. 4 is a rear elevation view of the vacuum cleaner.

FIG. 5 is a left-side elevation view of the vacuum cleaner; and,

FIG. 6 is a top plan view of the vacuum cleaner.

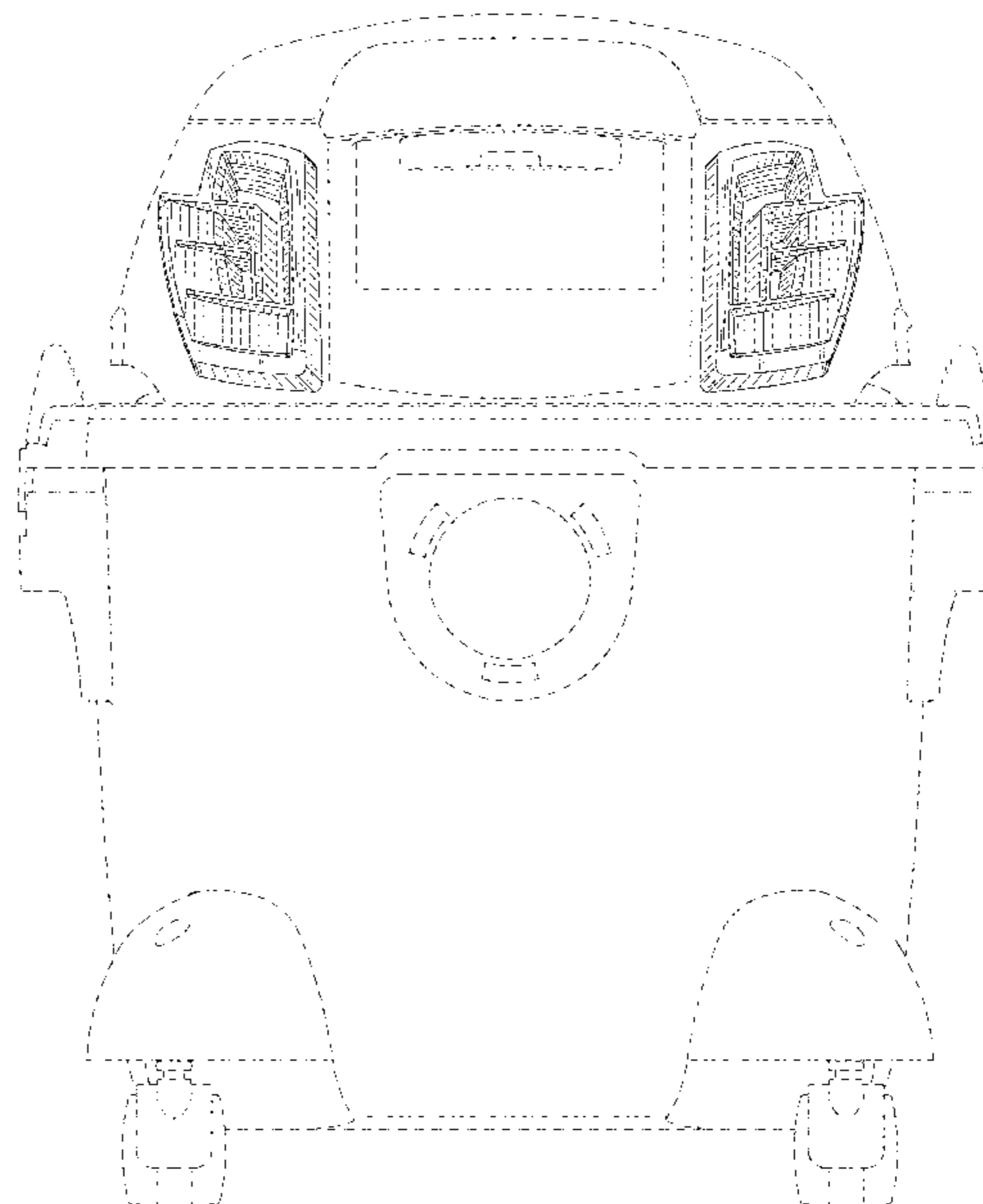
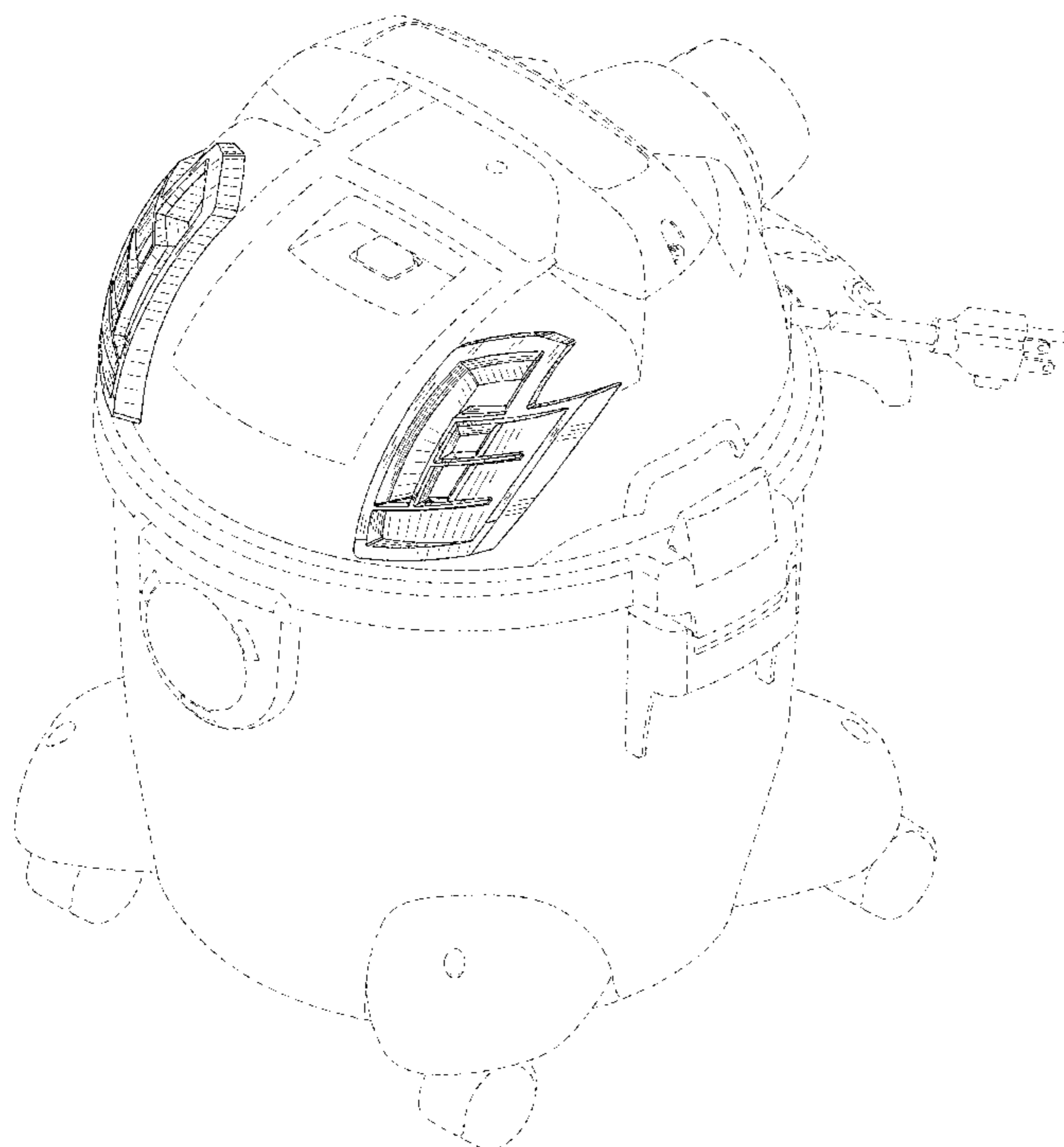
The broken lines represent portions of the vacuum cleaner that form no part of the claimed design.

1 Claim, 6 Drawing Sheets

(56) **References Cited**

U.S. PATENT DOCUMENTS

D479,372 S * 9/2003 Griffin D32/23
D587,414 S * 2/2009 Griffin D32/31
D588,316 S * 3/2009 Griffin D32/31



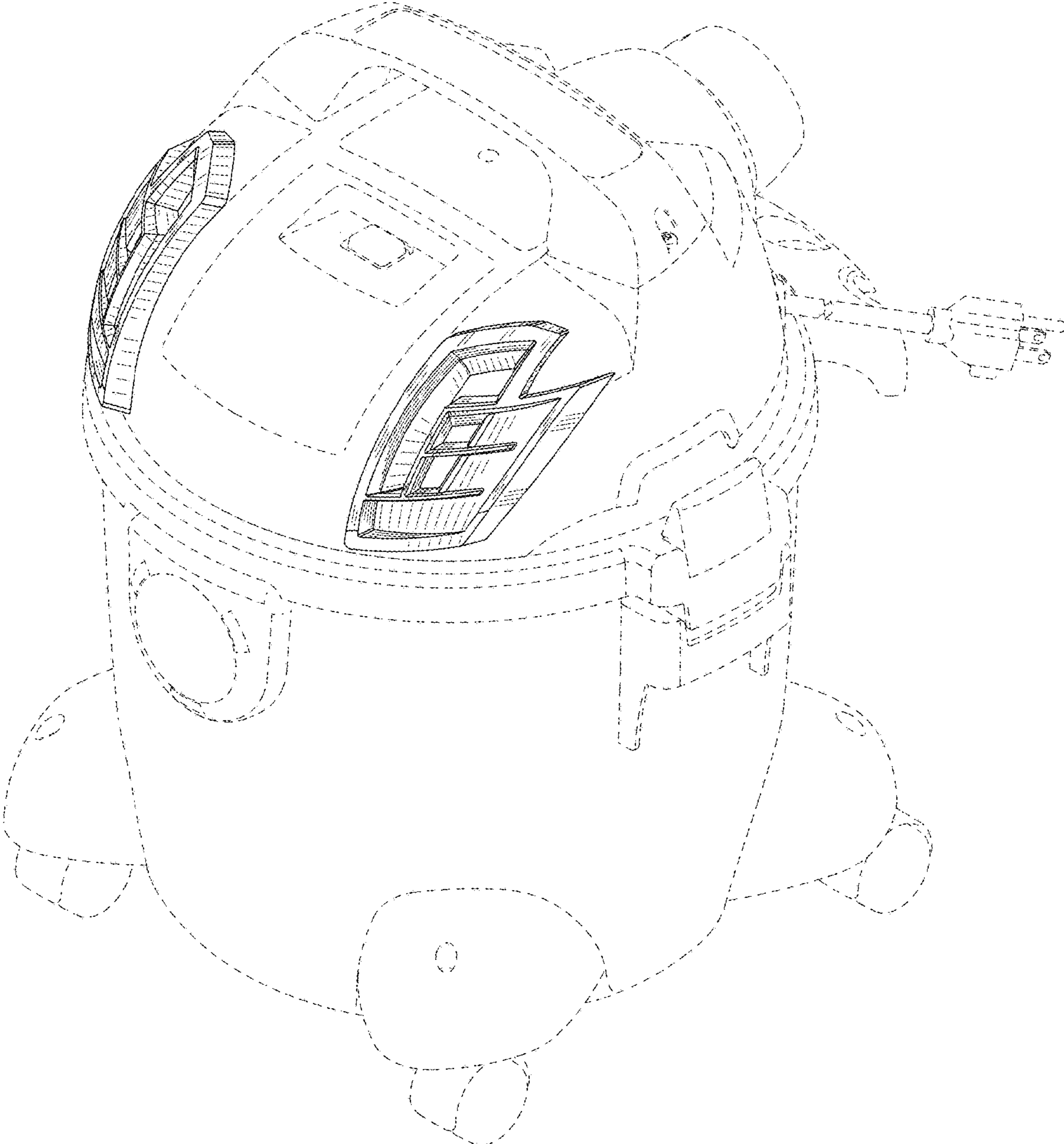


FIG. 1

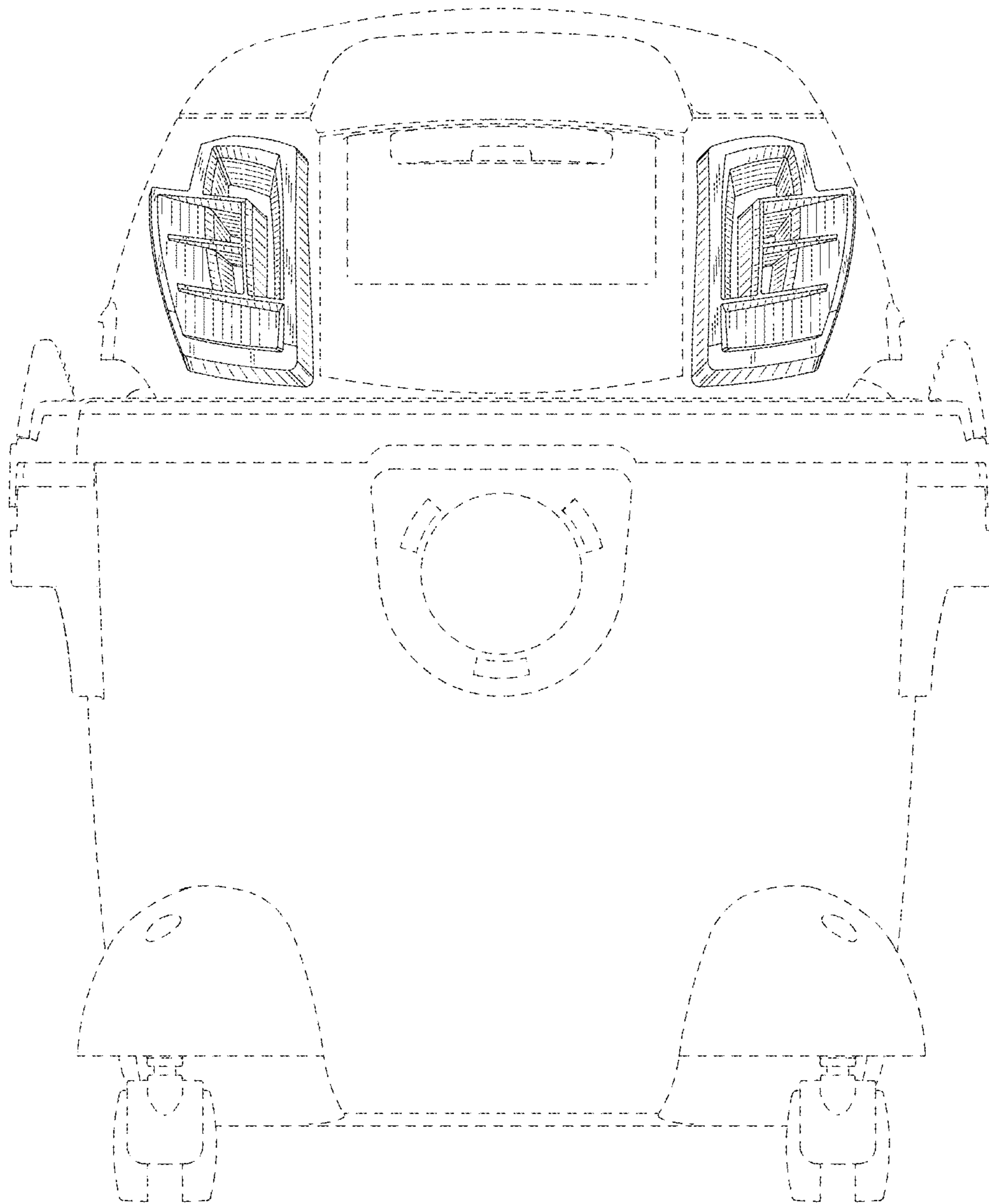


FIG. 2

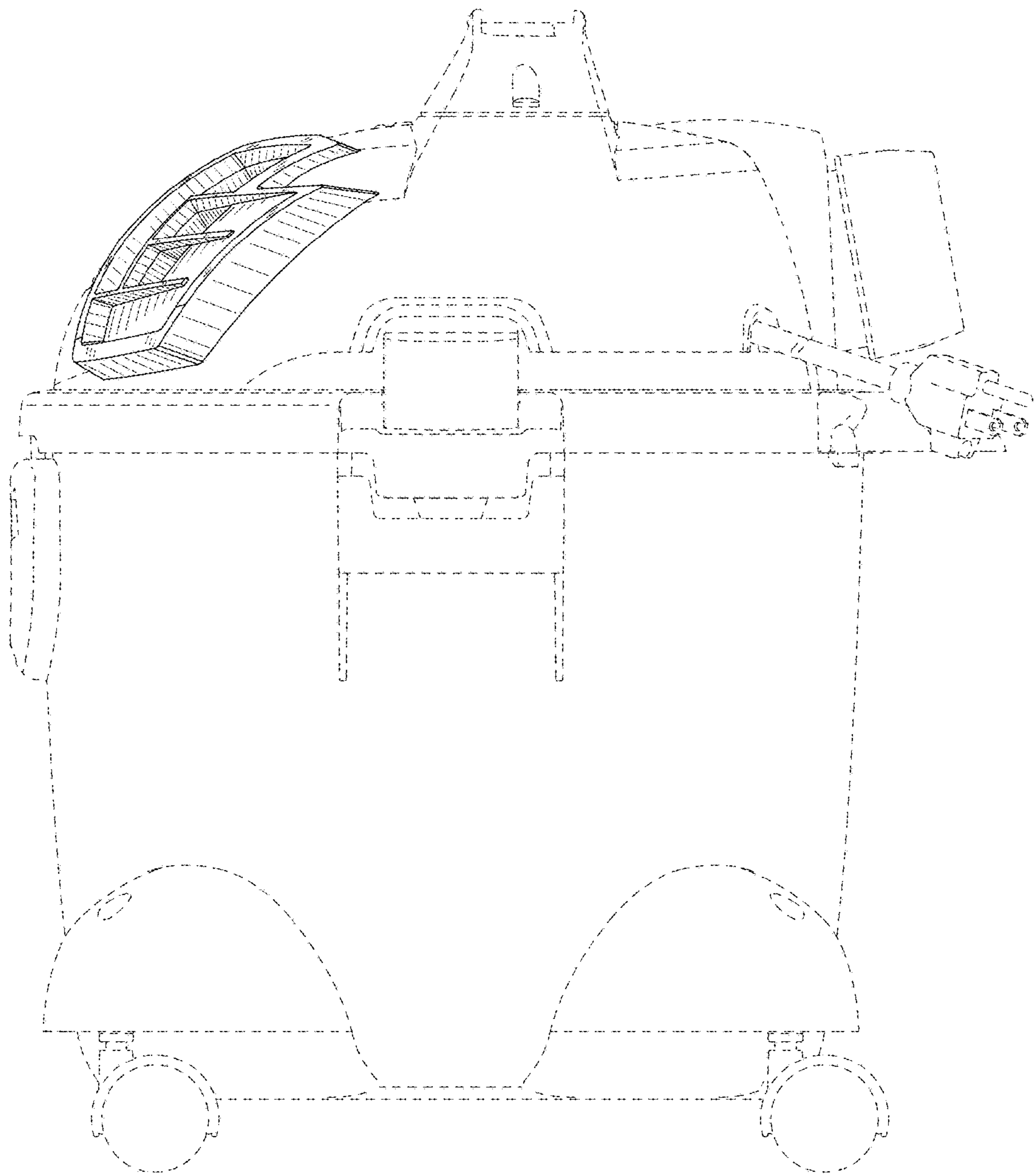


FIG. 3

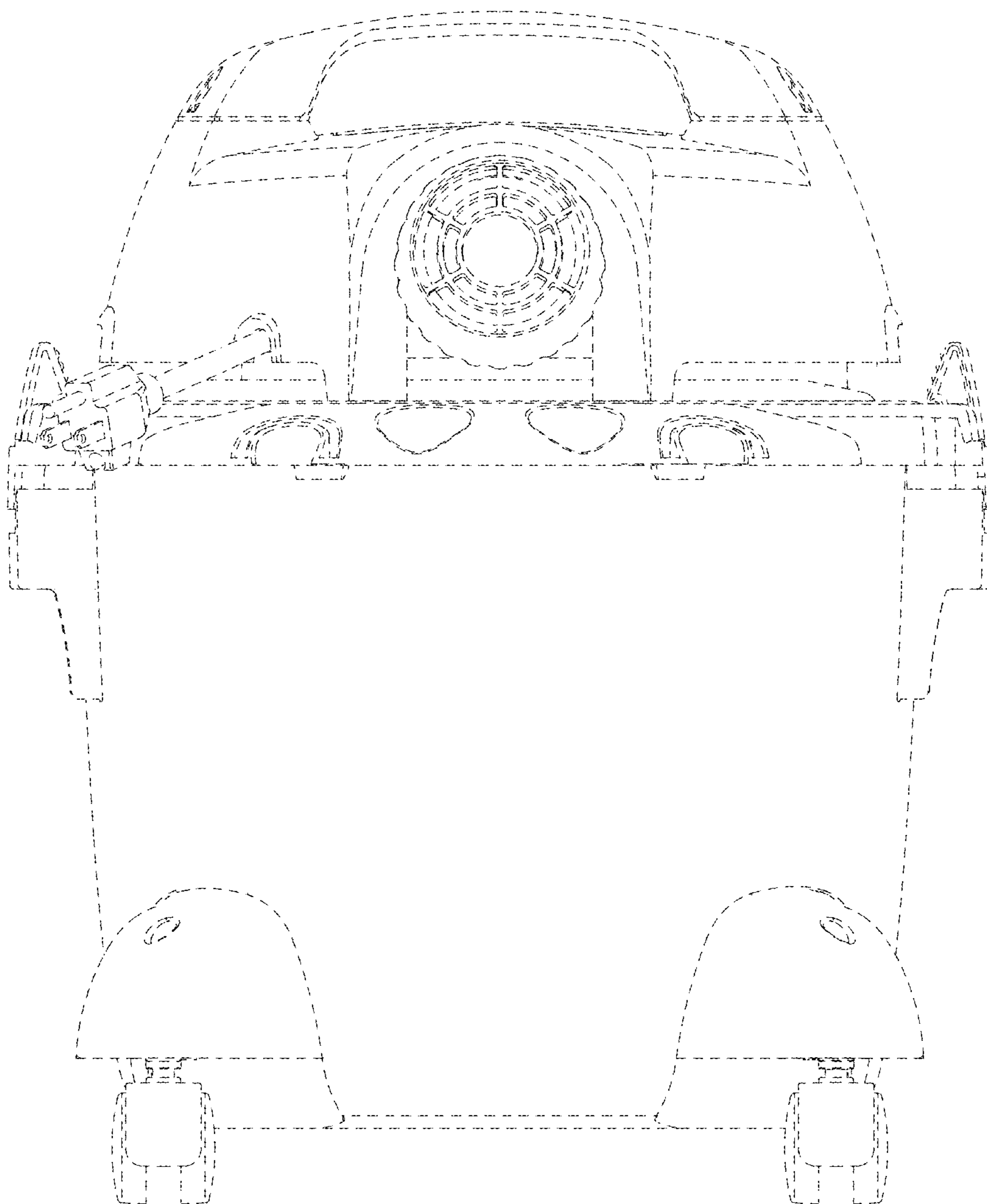


FIG. 4

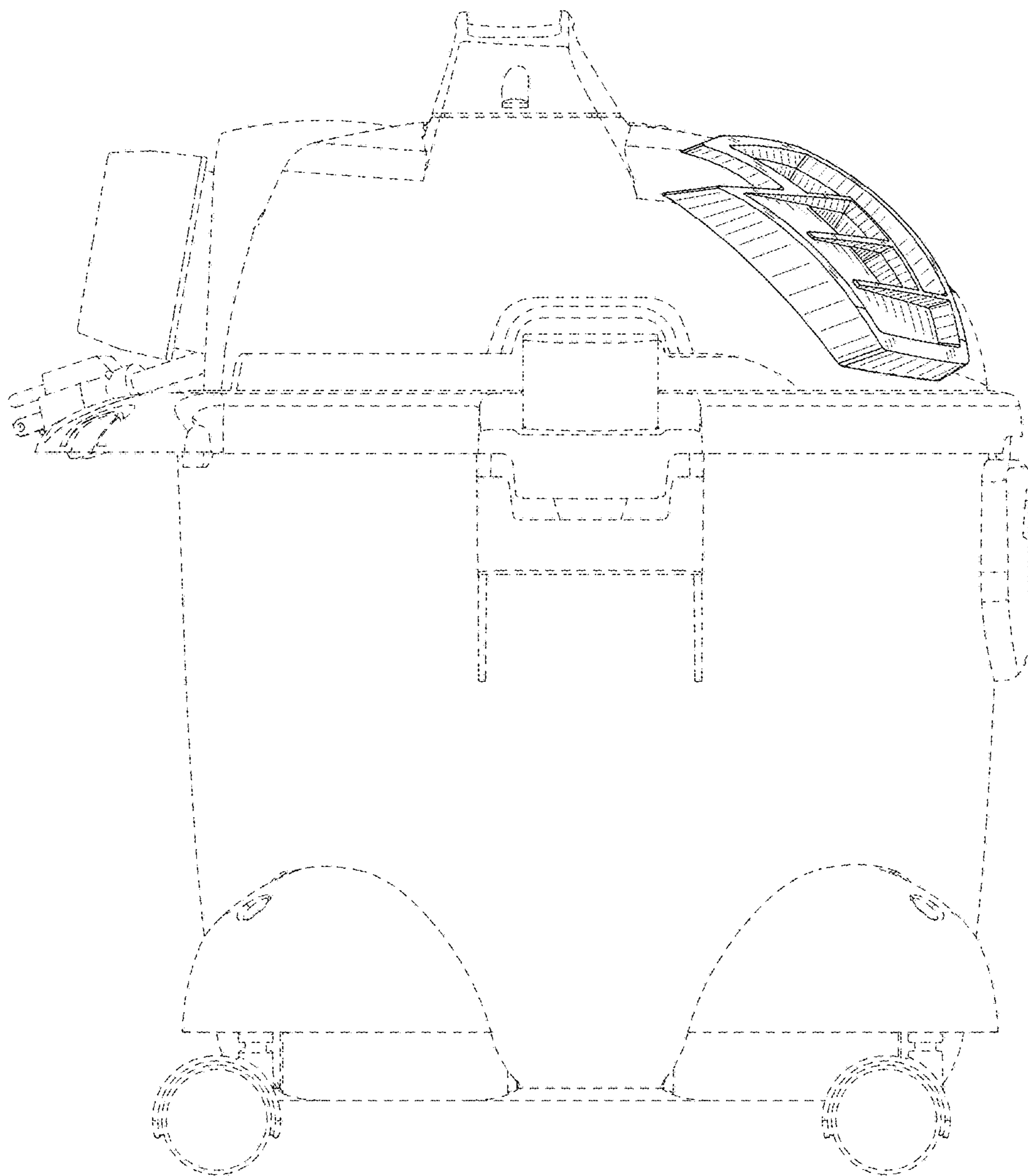


FIG. 5

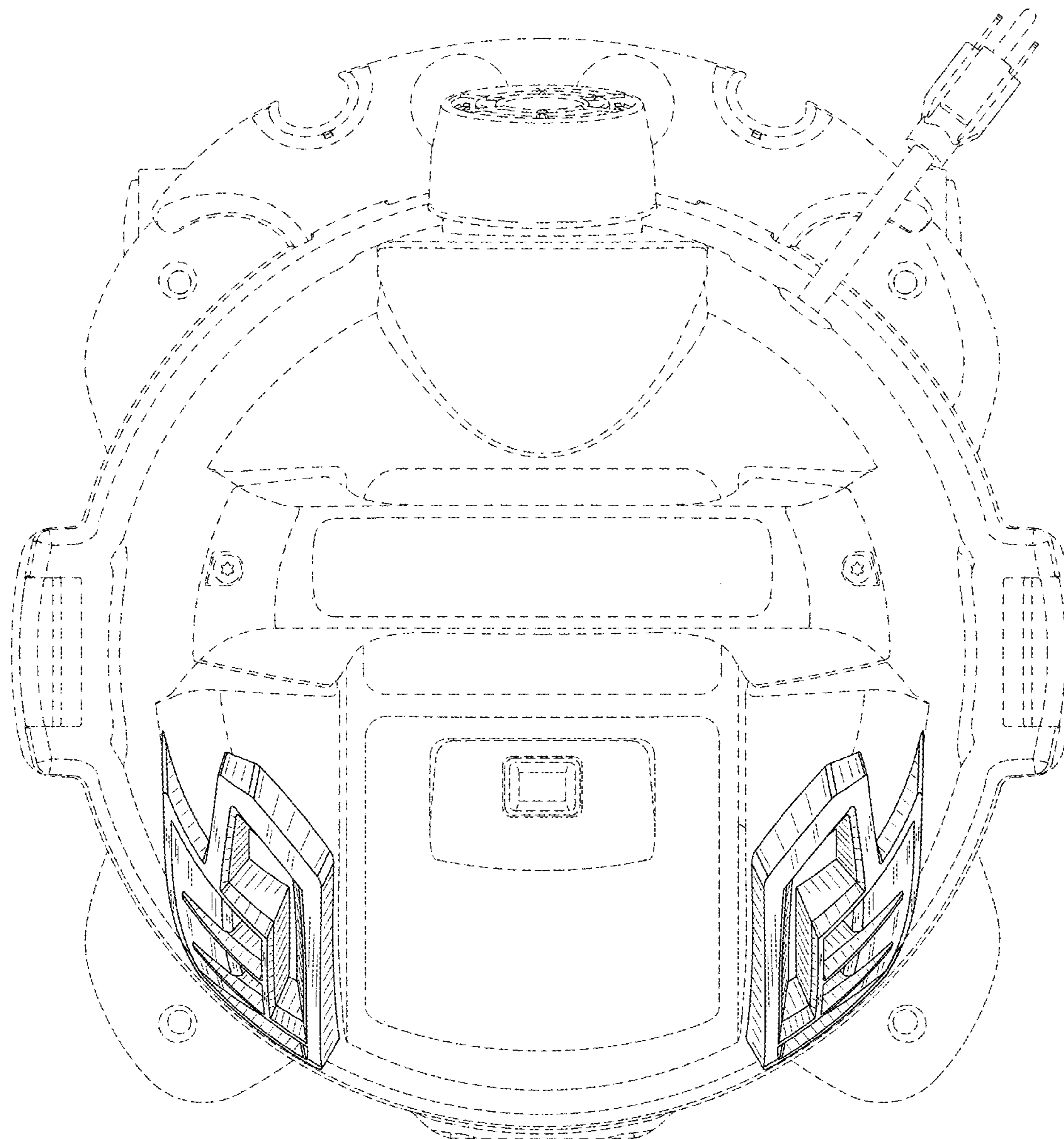


FIG. 6