



US00D787762S

(12) **United States Design Patent**
Thackray et al.

(10) **Patent No.:** **US D787,762 S**

(45) **Date of Patent:** **** May 23, 2017**

(54) **VACUUM CLEANER**

(71) Applicant: **KONINKLIJKE PHILIPS N.V.**,
Eindhoven (NL)

(72) Inventors: **Donald Thackray**, Drente (NL);
Patrick Doulobakas, Amsterdam (NL)

(73) Assignee: **KONINKLIJKE PHILIPS N.V.**,
Eindhoven (NL)

(**) Term: **14 Years**

(21) Appl. No.: **29/524,641**

(22) Filed: **Apr. 22, 2015**

(30) **Foreign Application Priority Data**

Oct. 27, 2014 (CN) 2014 3 0410923.5

Oct. 27, 2014 (EM) 002564526-0001

(51) **LOC (10) Cl.** **15-05**

(52) **U.S. Cl.**
USPC **D32/21**

(58) **Field of Classification Search**

USPC D32/21-22, 31, 34, 25

CPC A47L 11/34; A47L 11/29; A47L 11/30;

A47L 7/0019; A47L 7/0004; A47L

7/0023; A47L 9/00; A47L 9/1409; A47L

5/36-5/367

See application file for complete search history.

(56) **References Cited**

U.S. PATENT DOCUMENTS

D520,198 S *	5/2006	Sung	D32/21
D523,194 S *	6/2006	Choi	D32/21
D539,492 S *	3/2007	Konno	D32/21
D556,398 S *	11/2007	Shin	D32/21
D556,399 S *	11/2007	Shin	D32/21
D559,482 S *	1/2008	Jansson	D32/21
D626,709 S *	11/2010	Fjellman	D32/21
D642,344 S *	7/2011	Fjellman	D32/21
D643,166 S *	8/2011	Lee	D32/21
D762,026 S *	7/2016	Tyler	D32/21

* cited by examiner

Primary Examiner — Ruth McInroy

(57) **CLAIM**

The ornamental design for a vacuum cleaner, as shown and described.

DESCRIPTION

FIG. 1 is a perspective view showing the vacuum cleaner of my design;

FIG. 2 is a front elevational view thereof;

FIG. 3 is a rear elevational view thereof;

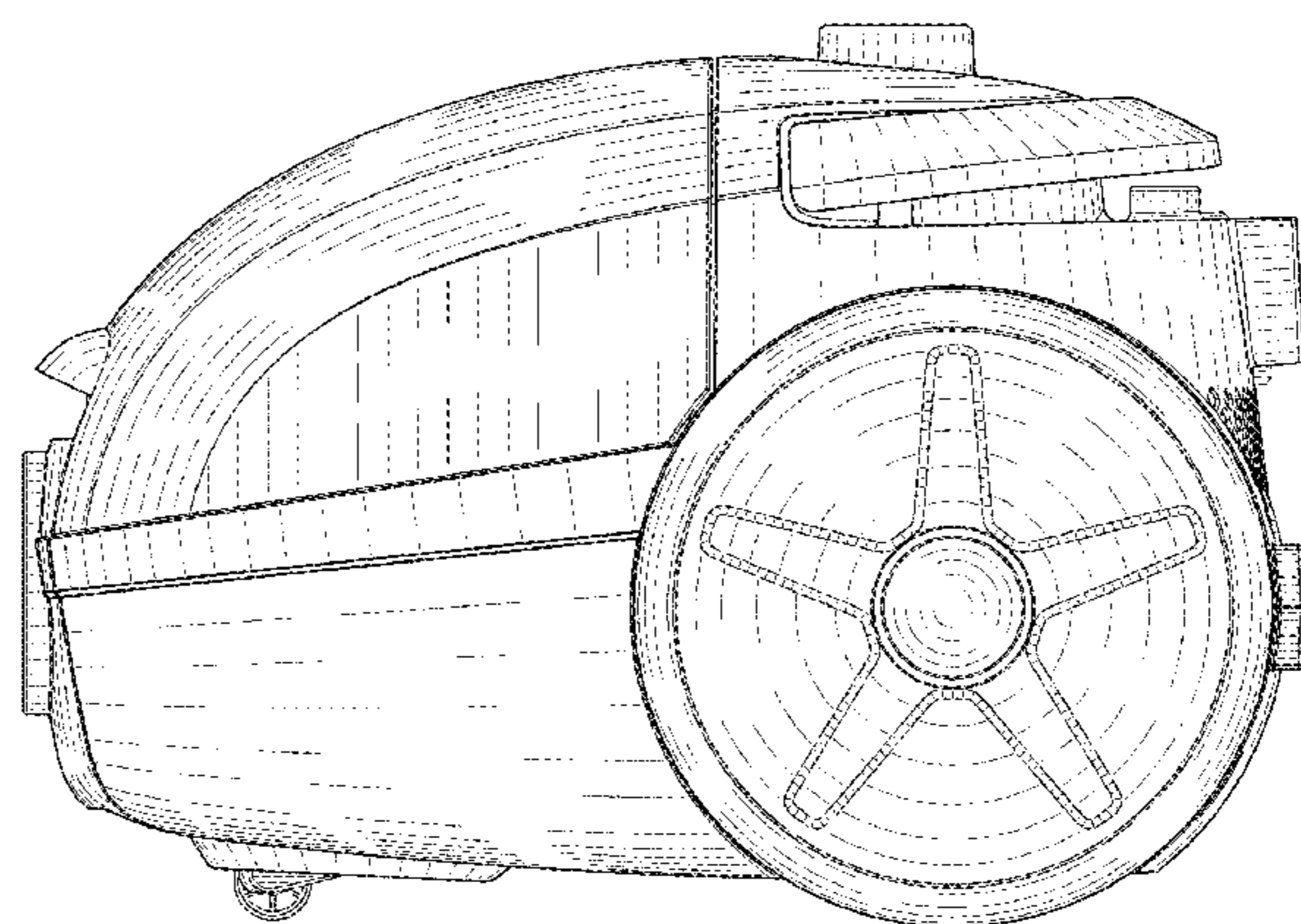
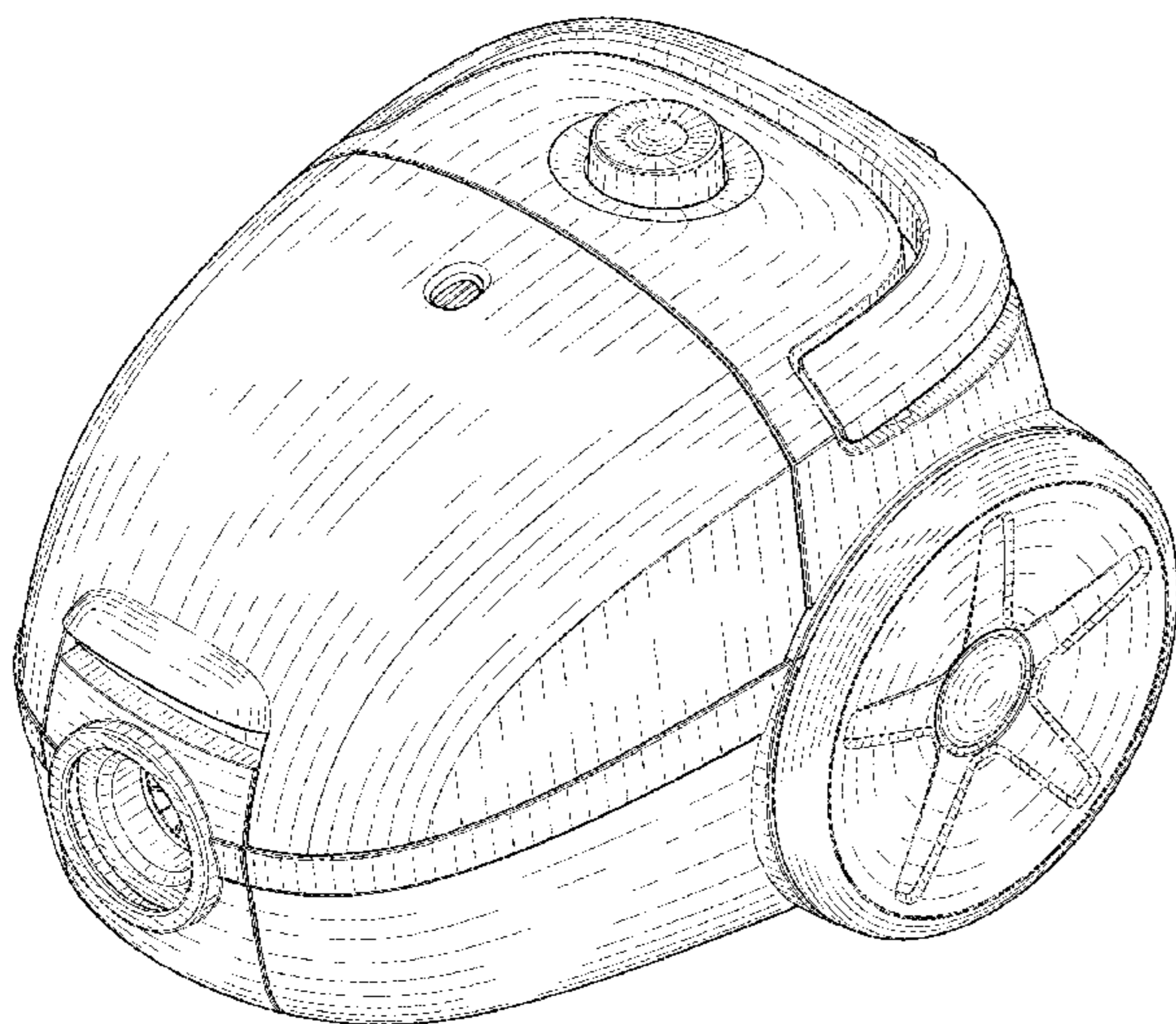
FIG. 4 is a right side elevational view thereof;

FIG. 5 is a left side elevational view thereof; and,

FIG. 6 is a top plan view thereof.

The dashed broken lines shown therein illustrate portions of the vacuum cleaner that form no part of the claimed design.

1 Claim, 4 Drawing Sheets



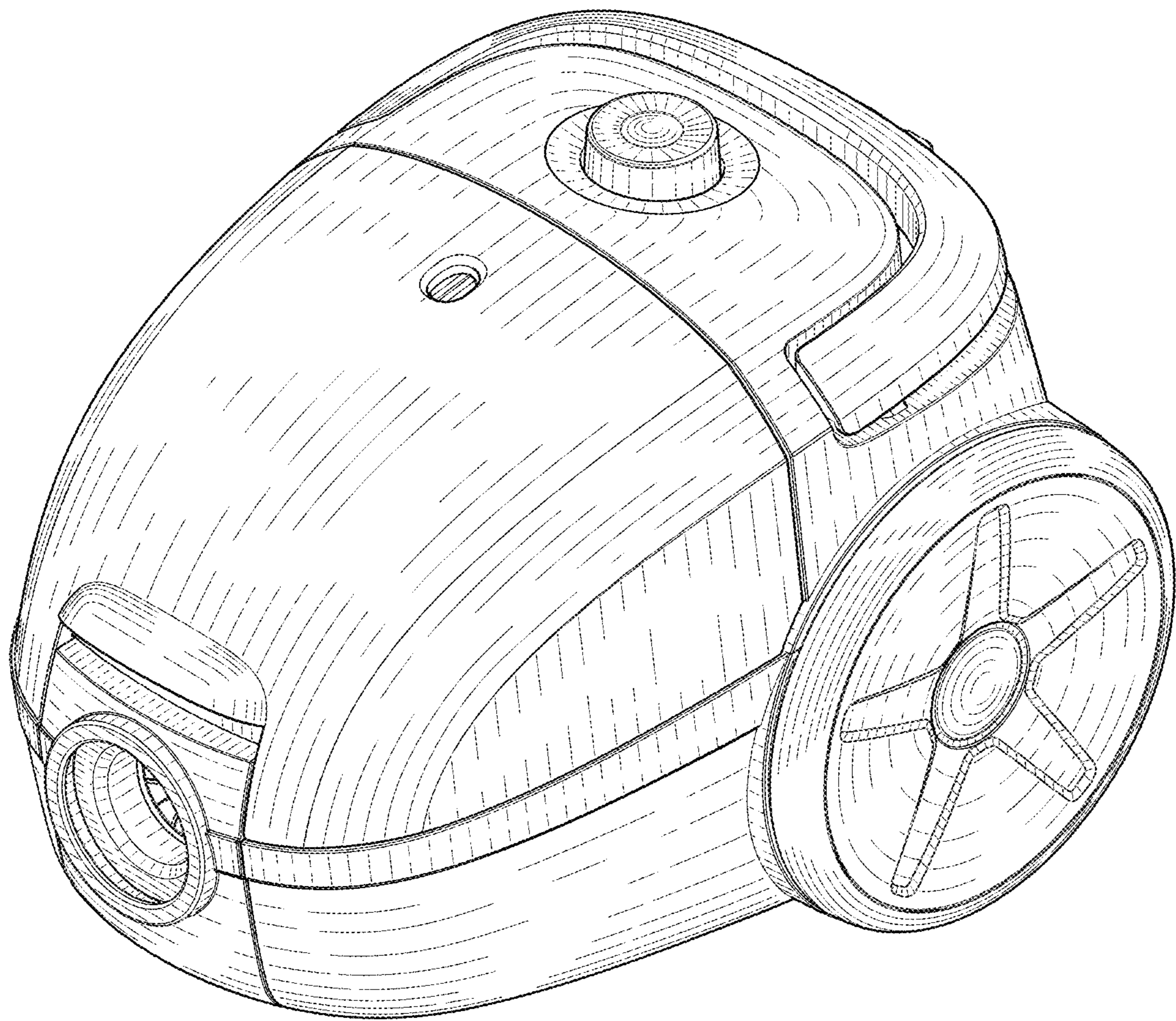


FIG. 1

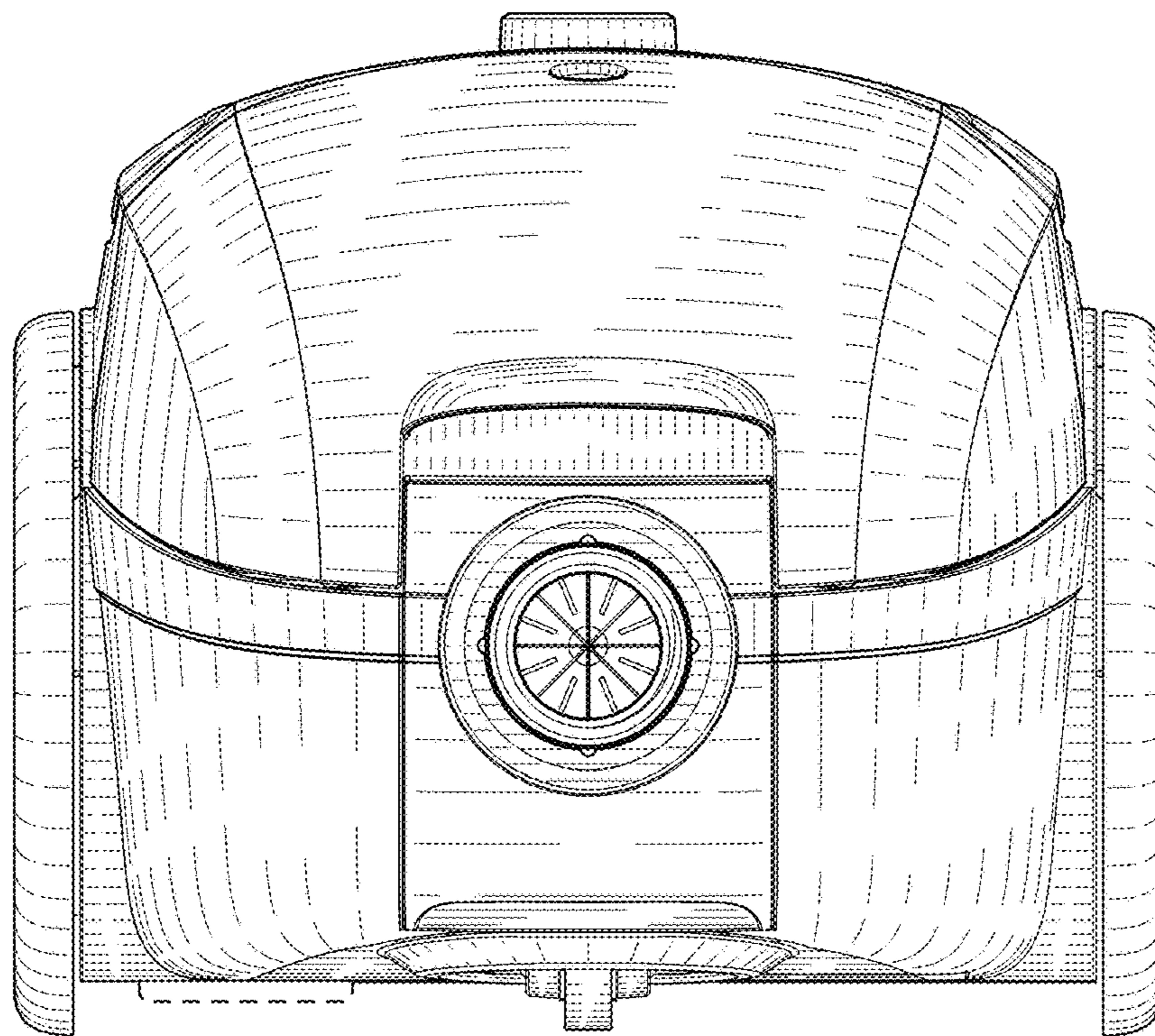


FIG. 2

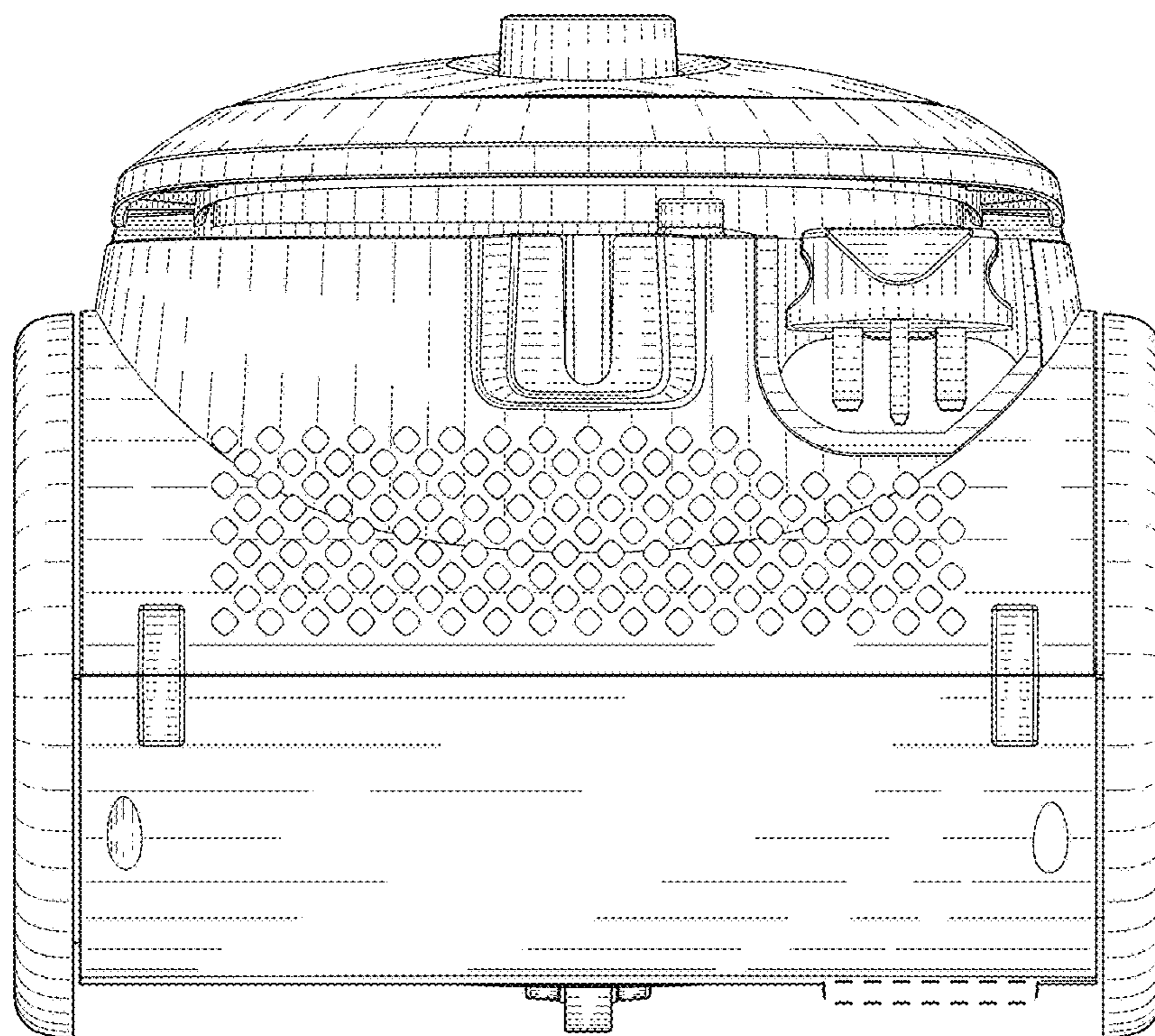


FIG. 3

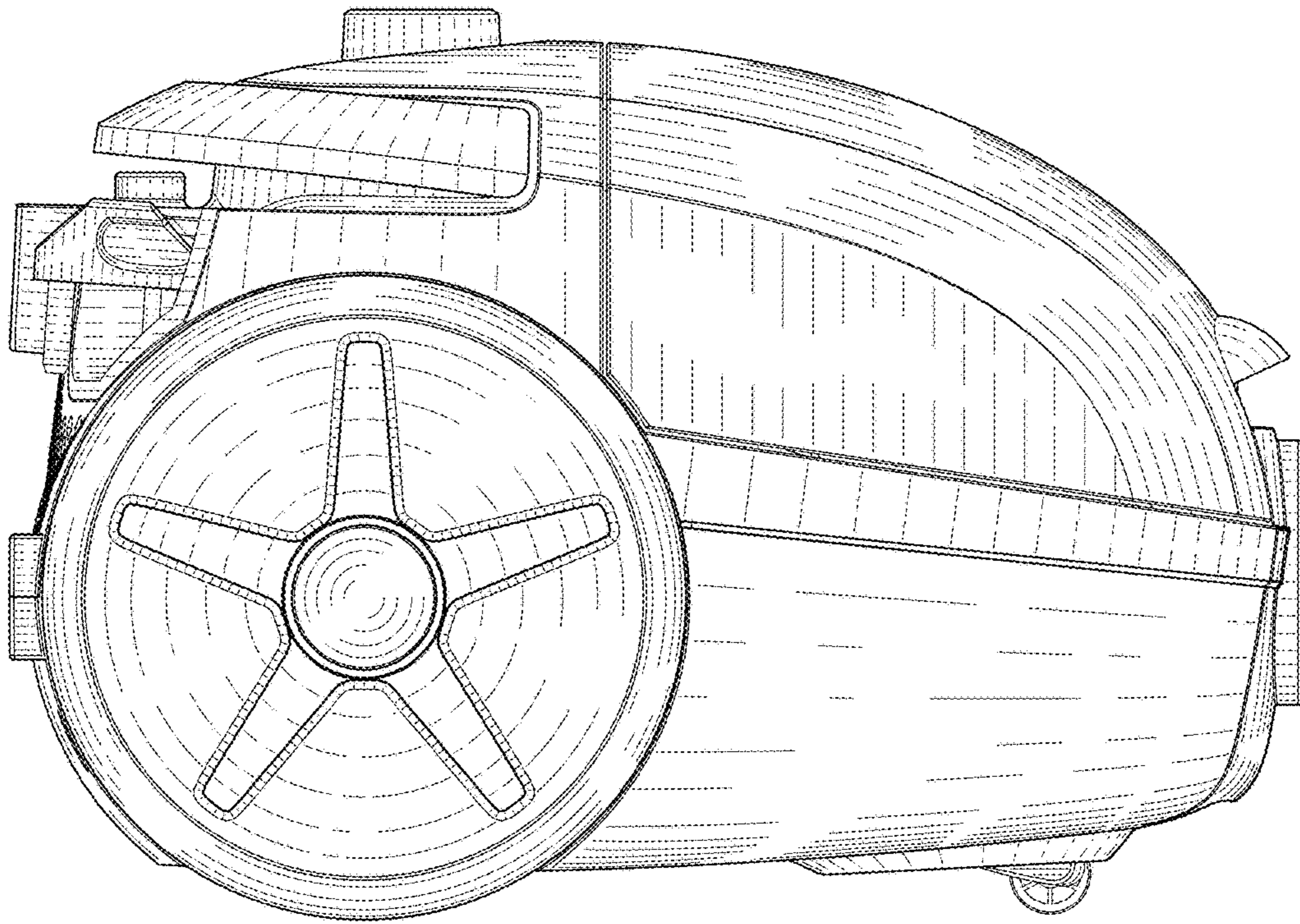


FIG. 4

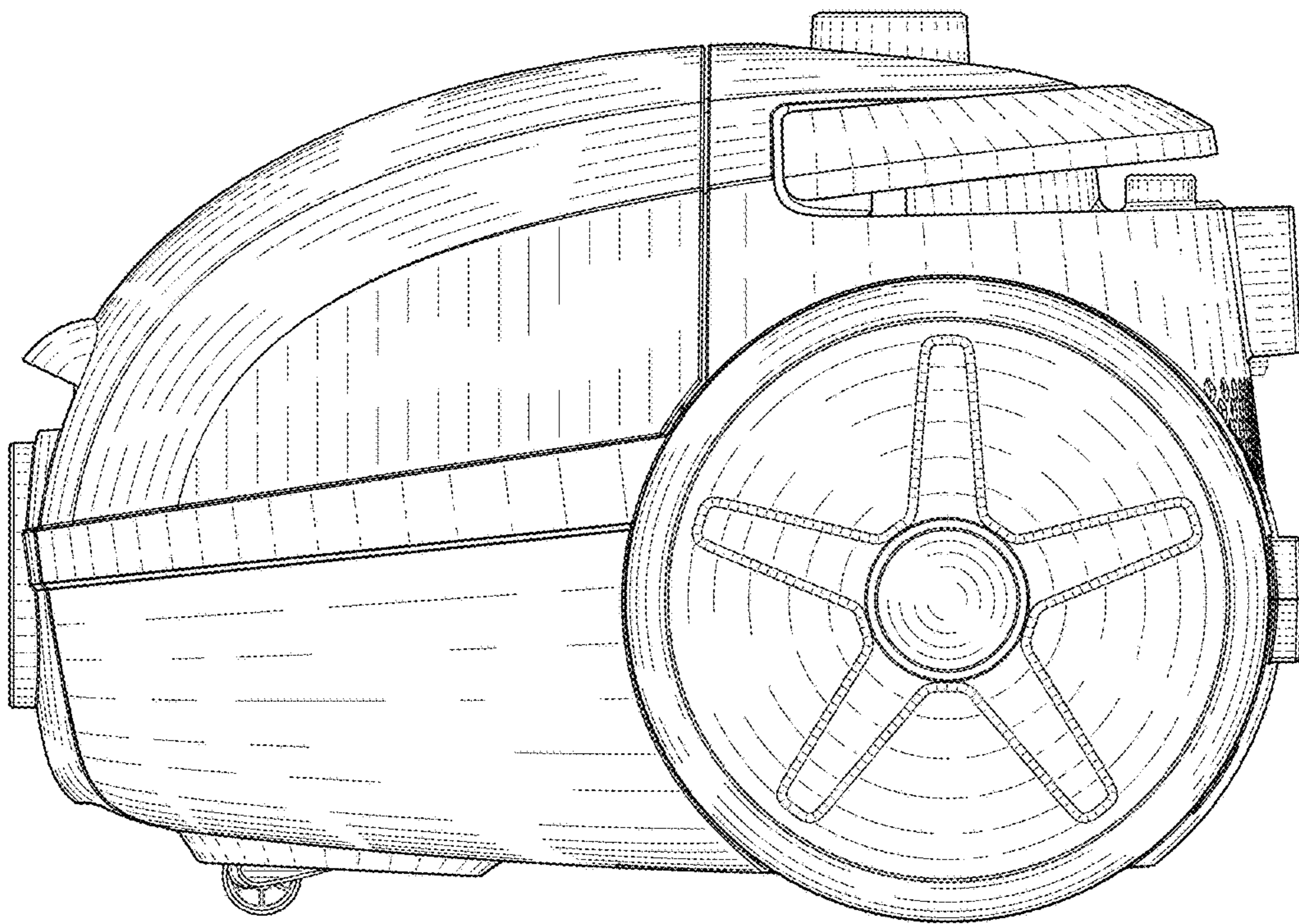


FIG. 5

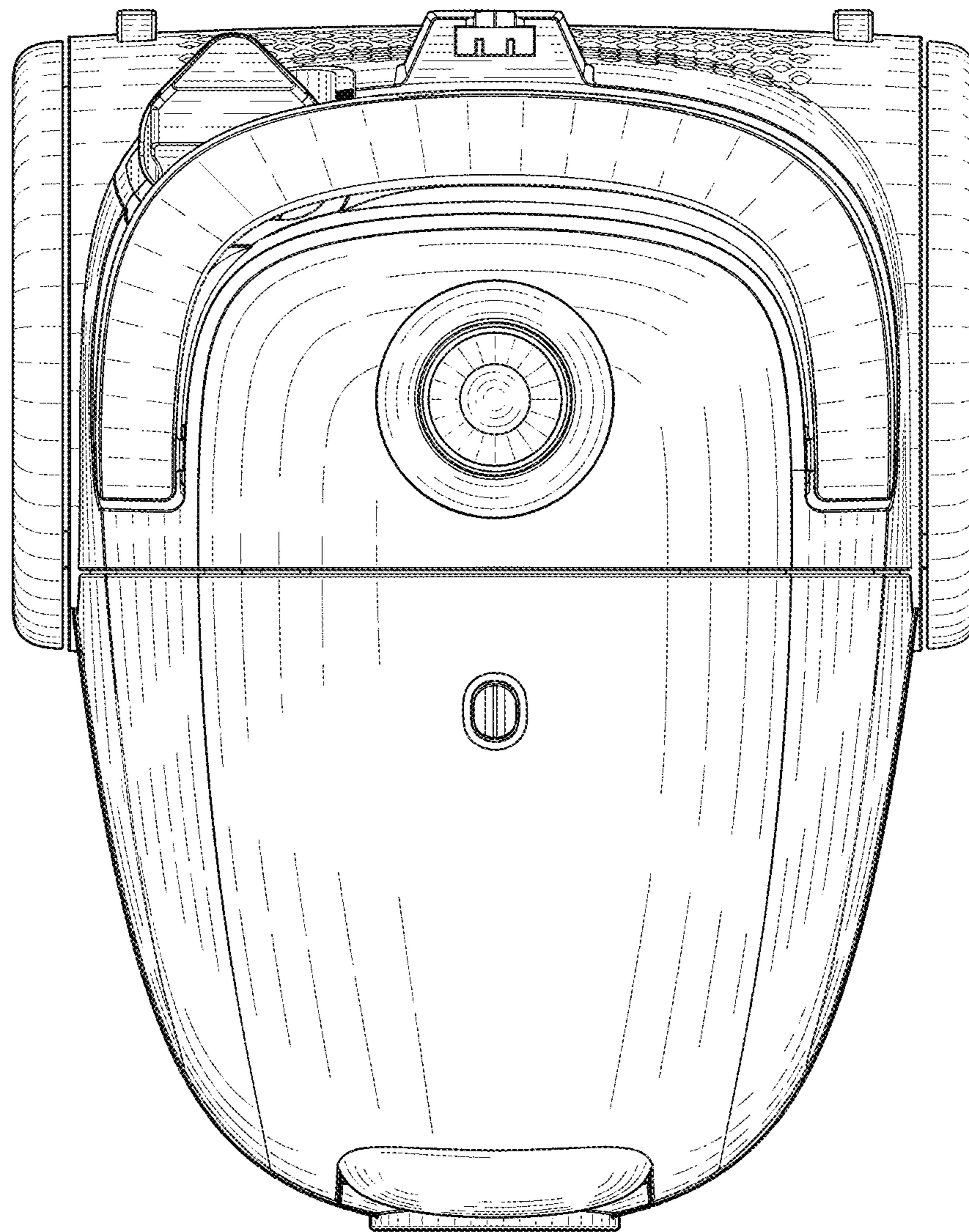


FIG. 6