



US00D787758S

(12) **United States Design Patent** (10) **Patent No.:** **US D787,758 S**
DeBaker (45) **Date of Patent:** **** May 23, 2017**

(54) **BICYCLE WASH STATION** 7,180,015 B2 * 2/2007 Hudson G01G 19/14
177/131
(71) Applicant: **Saris Cycling Group, Inc.**, Madison, WI (US) D595,618 S * 7/2009 Dallaire D12/115
7,628,363 B2 * 12/2009 Goldstein A47H 1/022
248/200.1
(72) Inventor: **Chad DeBaker**, Minneapolis, MN (US) 7,854,564 B1 * 12/2010 Erickson E04H 12/08
248/529
(73) Assignee: **Saris Cycling Group, Inc.**, Madison, WI (US) D680,914 S * 4/2013 Greenblatt D12/115
D717,214 S * 11/2014 Greenblatt D12/115
2003/0102343 A1 * 6/2003 Anderson B60R 9/06
224/536
(**) Term: **15 Years** 2012/0007298 A1 * 1/2012 Proietti B25H 1/0014
269/59

(Continued)

(21) Appl. No.: **29/546,850**
(22) Filed: **Nov. 25, 2015**
(51) **LOC (10) Cl.** **15-05**
(52) **U.S. Cl.**
USPC **D32/4**
(58) **Field of Classification Search**
USPC D32/4; D12/115, 126, 114, 179;
D34/31; D23/205, 206; D25/131
CPC F16M 11/20; B25H 1/0014; B25H 1/16;
Y10T 29/52
See application file for complete search history.

Primary Examiner — Michael A. Pratt
Assistant Examiner — Michelle E Wilson
(74) *Attorney, Agent, or Firm* — Boyle Fredrickson, S.C.

(57) **CLAIM**

The ornamental design for a bicycle wash station, as shown and described.

DESCRIPTION

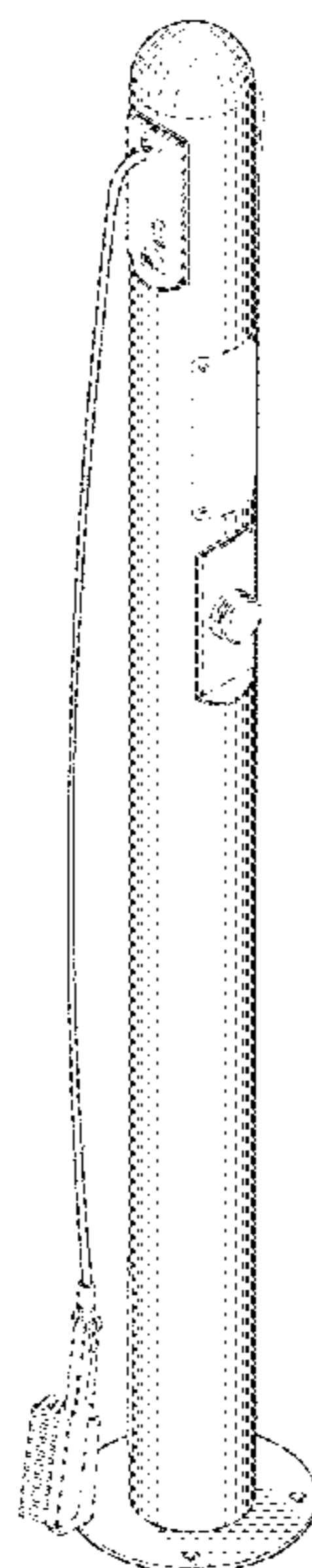
FIG. 1 is a first perspective view of the bicycle wash station, showing the new design.
FIG. 2 is a second perspective view of the bicycle wash station of FIG. 1.
FIG. 3 is a front view of the bicycle wash station of FIG. 1.
FIG. 4 is a back view of the bicycle wash station of FIG. 1.
FIG. 5 is a top view of the bicycle wash station of FIG. 1.
FIG. 6 is a bottom view of the bicycle wash station of FIG. 1.
FIG. 7 is a first side view of the bicycle wash station of FIG. 1; and,
FIG. 8 is a second side view of the bicycle wash station of FIG. 1.
The broken lines depict environmental subject matter only and form no part of the claimed design.

(56) **References Cited**

U.S. PATENT DOCUMENTS

3,827,773 A * 8/1974 Aiello B62H 5/08
211/5
D263,039 S * 2/1982 Richard, Jr. D12/115
D280,088 S * 8/1985 Shedden D12/115
D330,695 S * 11/1992 Simmons D12/115
D331,950 S * 12/1992 Baker D21/526
D356,901 S * 4/1995 Schoenig D6/681.1
5,634,482 A * 6/1997 Martin E04H 12/2269
135/114
D435,811 S * 1/2001 Smith D12/114
D447,251 S * 8/2001 Tsai D25/131
D483,131 S * 12/2003 Tsai D25/131

1 Claim, 4 Drawing Sheets



(56)

References Cited

U.S. PATENT DOCUMENTS

2012/0193502 A1* 8/2012 Gatti E04B 2/7435
248/514
2013/0219705 A1* 8/2013 Scholtz B25H 1/0014
29/650
2014/0041180 A1* 2/2014 Williams F16M 11/20
29/402.01

* cited by examiner

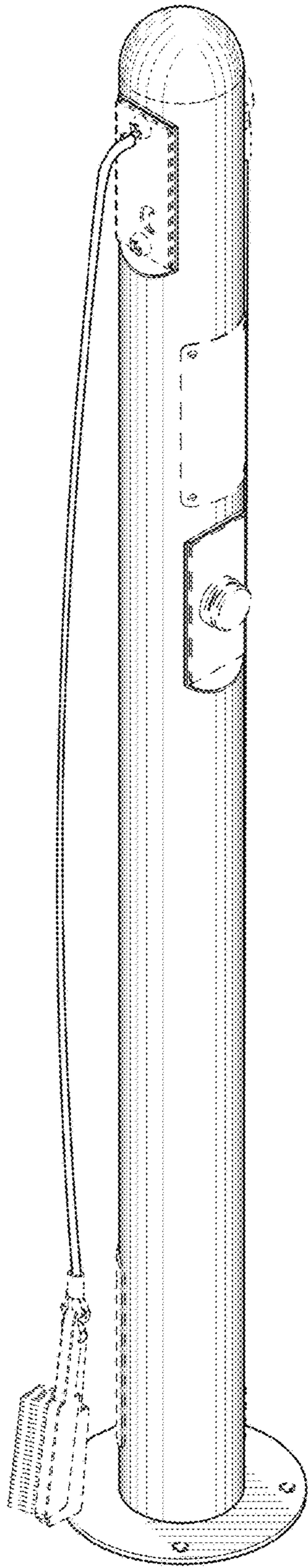


FIG. 1

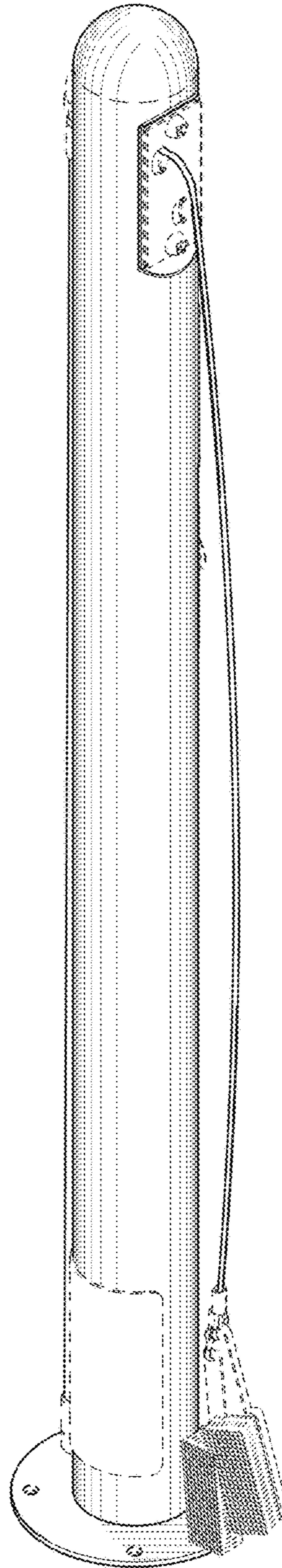


FIG. 2

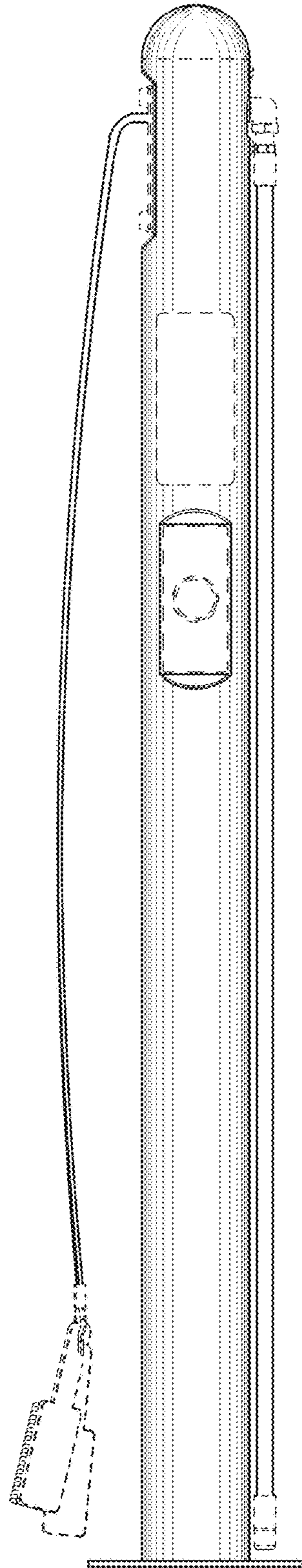


FIG. 3

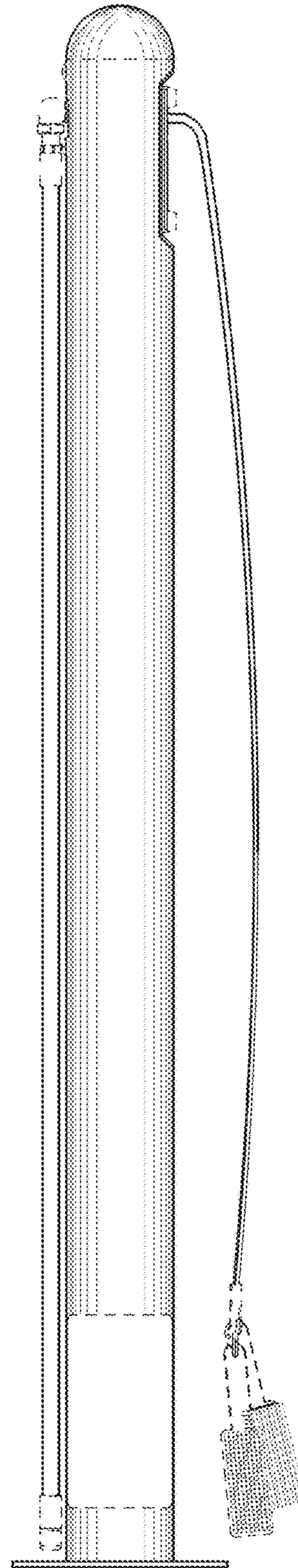


FIG. 4

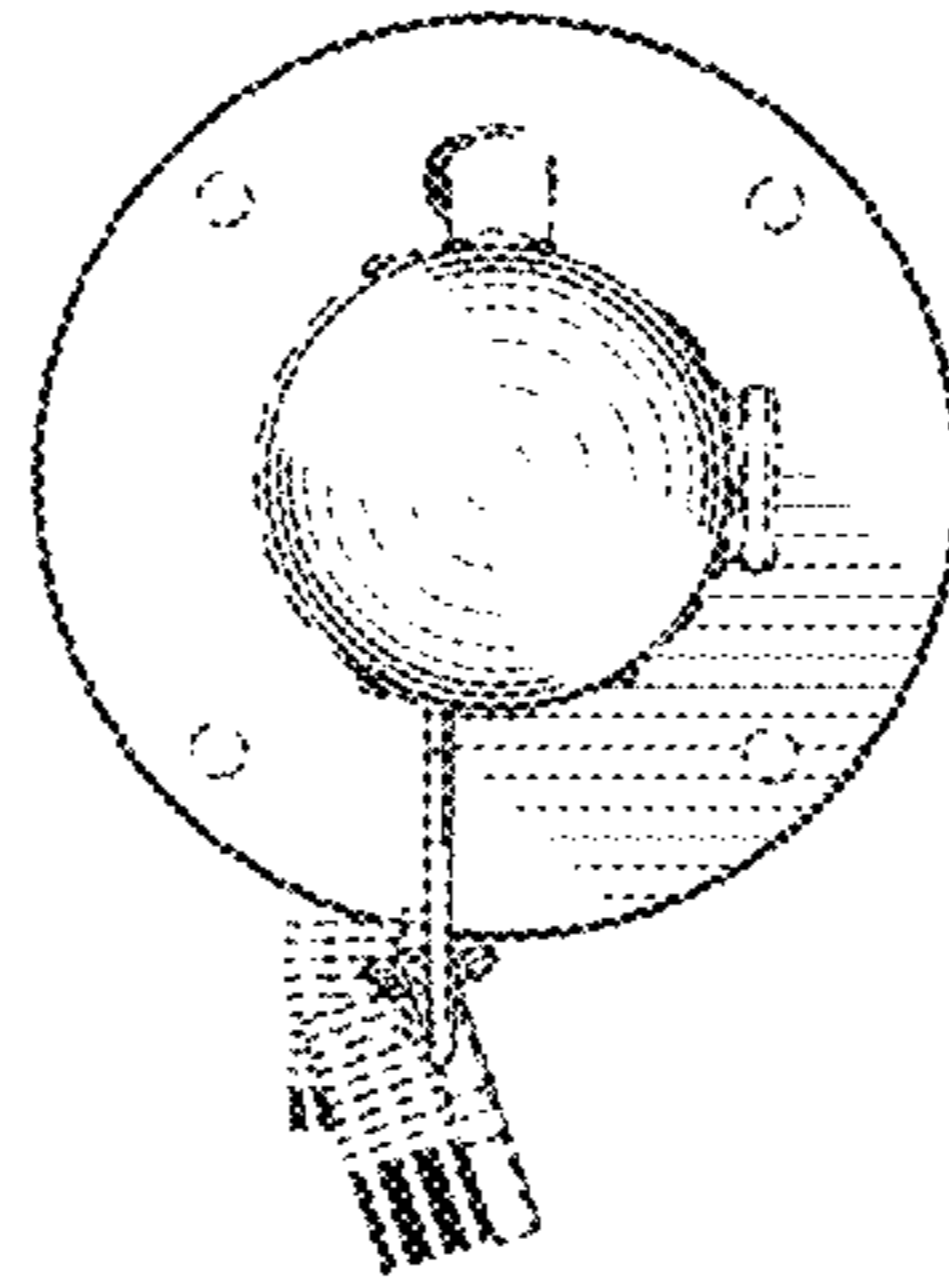


FIG. 5

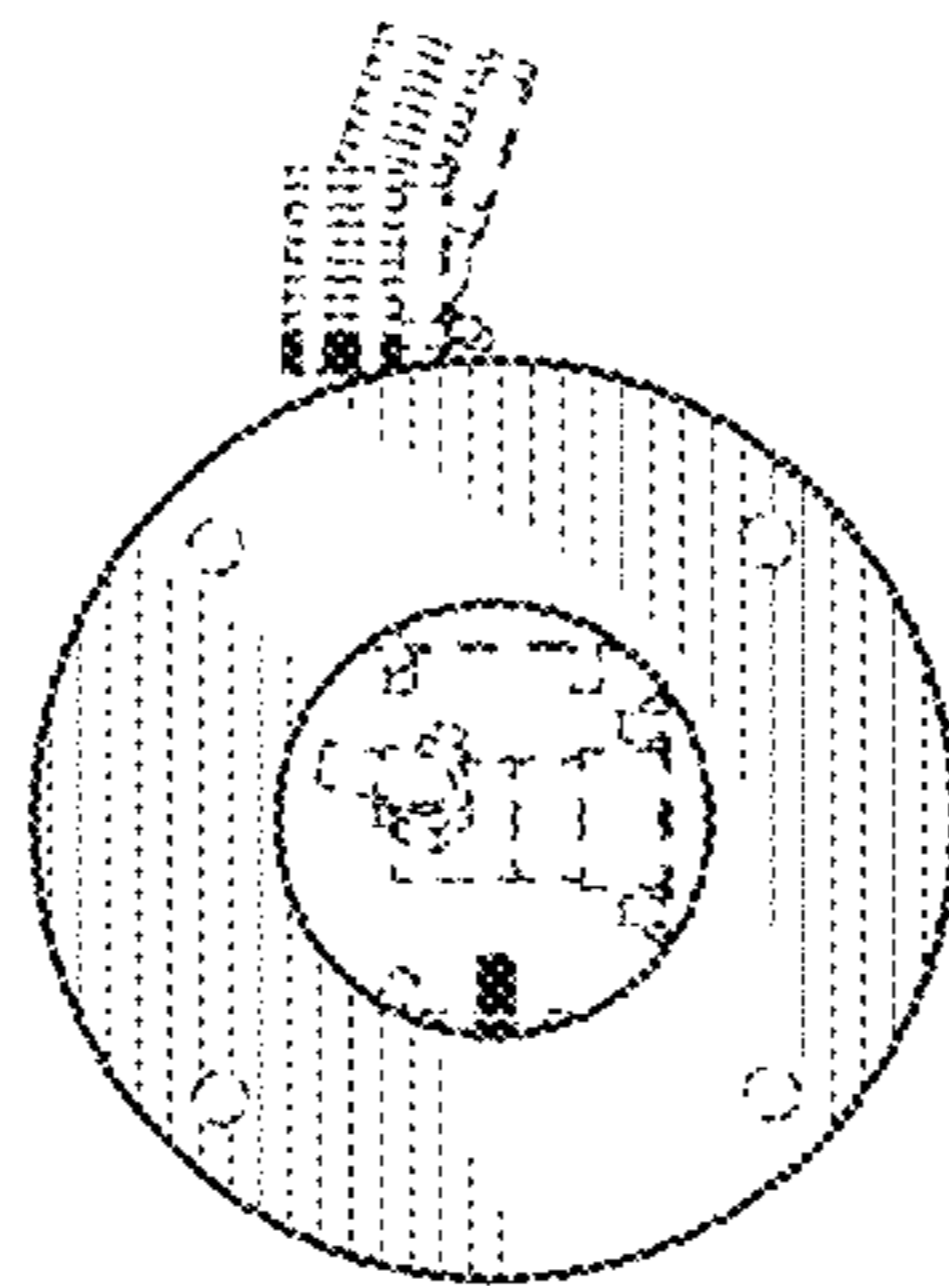


FIG. 6

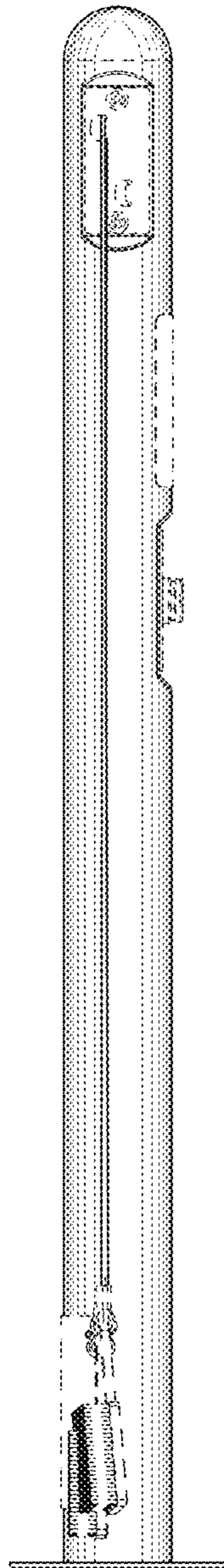


FIG. 7

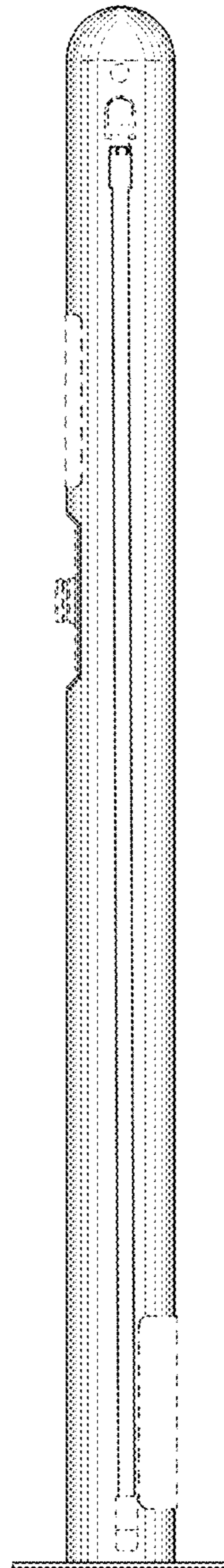


FIG. 8