



US00D787756S

(12) **United States Design Patent** (10) **Patent No.:** **US D787,756 S**
Porter (45) **Date of Patent:** **** May 23, 2017**

(54) **PET GROOMING TOOL**

(75) Inventor: **David R. Porter**, Sunset Hills, MO (US)

(73) Assignee: **Spectrum Brands, Inc.**, Middleton, WI (US)

(**) Term: **14 Years**

(21) Appl. No.: **29/350,310**

(22) Filed: **Nov. 13, 2009**

(51) **LOC (10) Cl.** **30-99**

(52) **U.S. Cl.**

USPC **D30/159**; D30/158

(58) **Field of Classification Search**

USPC D30/158, 159, 199, 162, 106; 119/625, 119/633, 600, 617, 628, 632, 631, 613, 119/618, 619, 620, 611; 132/126, 142; 30/114, 130, 301, 305, 315, 316, 299, 30/303, 306, 169, 322, 31, 30, 279.2, 30/280, 287, 294, 199, 329-344, 346.56, 30/346.61, 355, 357; D7/672-676, 687, D7/686, 634, 619, 688, 653; 425/298; 426/503; D4/136, 127, 124-126, D4/116-118, 199, 194; D32/42, 25; D23/261; 2/160; 172/379, 380; D6/415, D6/410, 411; 294/1.3, 1.5, 55, 99.1, 49, 294/7, 9, 99.2, 118, 119, 19.2, 52; 209/418; D24/211, 147; D21/532, 398; D19/36; 34/381, 103, 104, 107; D11/104, 86; 56/400.01, 400.1, 400.17, 56/400.21, 400.05, 400.04, 330; 403/329, 403/326, 361; 15/402, 142, 236.07, 15/236.08, 236.05; 601/137, 136, 80, 93, 601/95, 97, 101, 103, 138, 143-147; D28/91.2, 63, 52, 31; D8/13, 6, 10, 11, D8/12, 1; 126/173, 214 C, 25 R; 99/450
CPC A01K 13/00; A01K 13/002; B26B 19/24; B26B 19/063; B26B 21/16; B26B 21/18; B26B 21/521; B26B 21/4075; B26B 21/522; A45D 24/30; A45D 24/00; A45D

24/04; A45D 24/10; A45D 24/36; A45D 24/02; A46B 5/02; A46B 5/021; A46B 5/026; A46B 5/028; A46B 2200/1093; A46B 2200/10

See application file for complete search history.

(56) **References Cited**

U.S. PATENT DOCUMENTS

487,580 A 12/1892 Neuls
D142,930 S 11/1945 Adler
3,170,182 A 2/1965 Burian
D229,619 S * 12/1973 Sleith D30/158
D368,999 S * 4/1996 Chen D32/48
6,213,055 B1 4/2001 Willinger et al.
6,279,582 B1 8/2001 Wang

(Continued)

OTHER PUBLICATIONS

Applicant's prior art product offered for sale to the public in the United States on and before Nov. 12, 2008, 7 pages.

(Continued)

Primary Examiner — Susan Moon Lee

(74) *Attorney, Agent, or Firm* — Merchant & Gould P.C.

(57) **CLAIM**

I claim the ornamental design for a pet grooming tool, as shown and described.

DESCRIPTION

FIG. 1 is a bottom view of the pet grooming tool showing my new design.

FIG. 2 is a top view thereof.

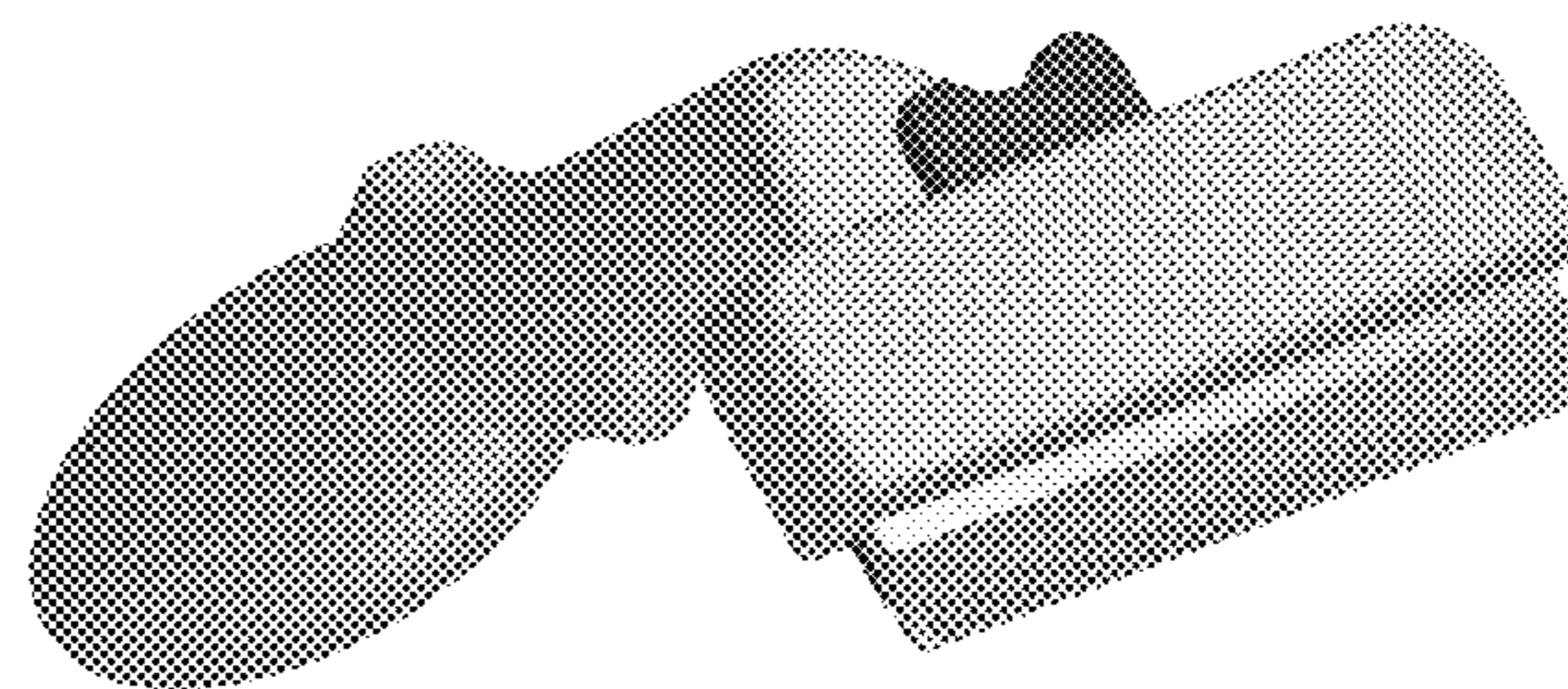
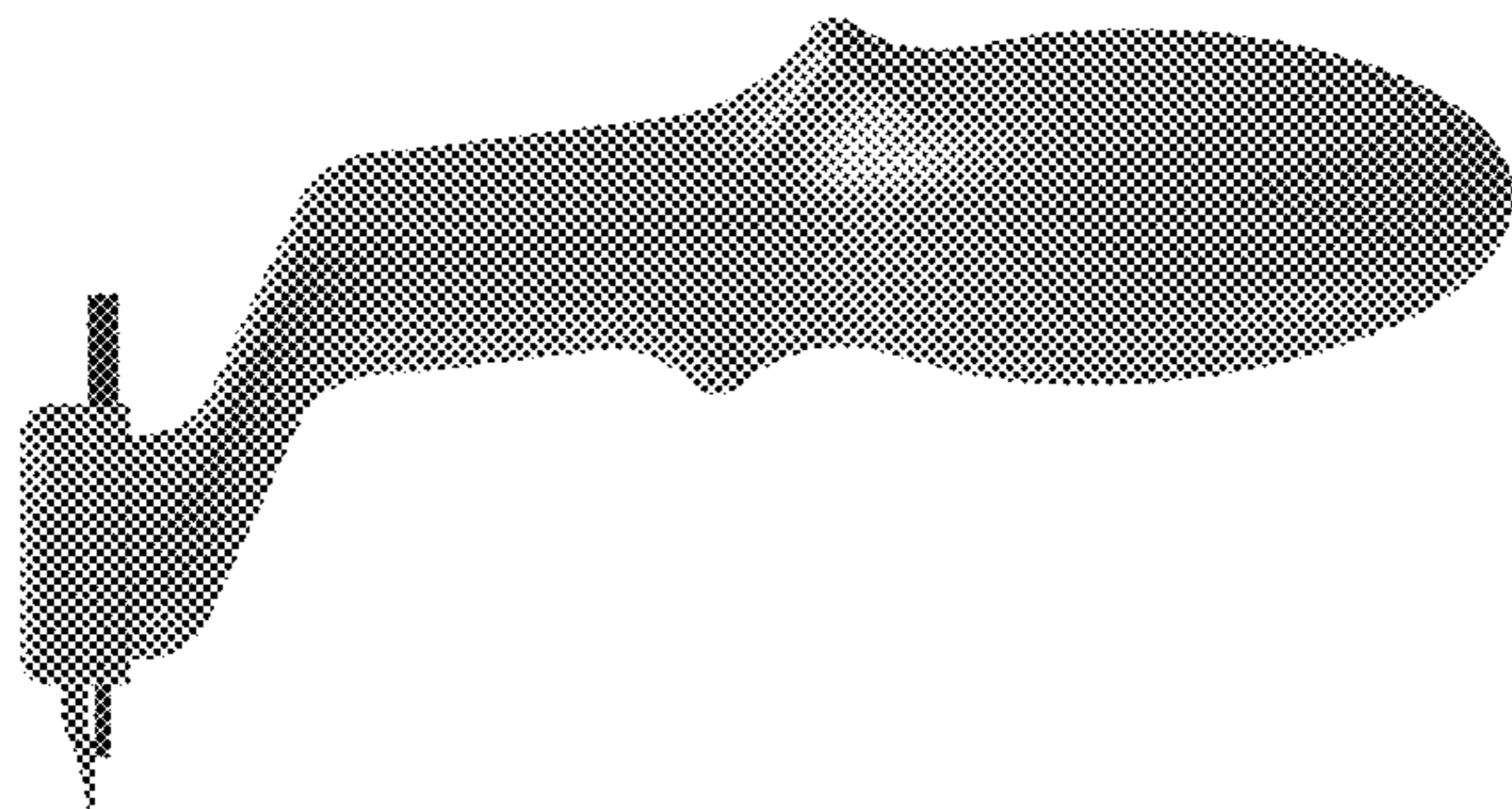
FIG. 3 is a front view thereof.

FIG. 4 is a rear view thereof.

FIG. 5 is a right side view thereof, the left side view being a mirror image of the right side view; and,

FIG. 6 is a perspective view thereof.

1 Claim, 5 Drawing Sheets



(56)

References Cited

U.S. PATENT DOCUMENTS

6,450,127 B2 9/2002 Willinger et al.
 6,543,388 B2 4/2003 Willinger et al.
 6,668,758 B1 12/2003 Davis, Jr.
 6,782,846 B1 8/2004 Porter
 6,955,137 B2 10/2005 Dunn et al.
 D525,744 S 7/2006 Dibnah et al.
 7,077,076 B2 7/2006 Porter
 7,222,588 B2 5/2007 Porter
 7,334,540 B2 2/2008 Porter
 D565,258 S 3/2008 Porter
 7,509,926 B2 3/2009 Porter
 7,650,857 B2 1/2010 Porter
 7,650,858 B2 1/2010 Porter
 D610,755 S * 2/2010 Lin D30/159
 D626,295 S * 10/2010 Porter D30/159
 D626,296 S * 10/2010 Porter D30/159
 D626,297 S * 10/2010 Porter D30/159
 D672,923 S * 12/2012 Loudenback D30/158
 D672,924 S * 12/2012 Amice D30/158
 8,359,755 B1 * 1/2013 Laube A01K 13/002
 119/611
 8,555,463 B1 * 10/2013 Laube A01K 13/001
 119/606

2001/0011528 A1 8/2001 Willinger et al.

2002/0040686 A1 4/2002 Willinger et al.
 2004/0194728 A1 10/2004 Dunn et al.
 2007/0084416 A1 4/2007 Liao
 2008/0017130 A1* 1/2008 Porter A01K 13/002
 119/625
 2008/0029044 A1 2/2008 Porter
 2008/0066690 A1 3/2008 Rosen
 2008/0078333 A1 4/2008 Wang
 2009/0126648 A1 5/2009 Porter
 2009/0126649 A1 5/2009 Porter
 2009/0320767 A1* 12/2009 Werner A01K 13/002
 119/609
 2014/0026822 A1* 1/2014 Harris, II A01K 13/002
 119/628

OTHER PUBLICATIONS

UPCO Pet Catalogue, Fall 2005, pp. 35-36 (2 pages).
 Drs Foster and Smith Pet Catalogue, Jul. 2005, p. 102 (1 page).
 Drs Foster and Smith Pet Catalogue, 2002 Issue, p. 105 (1 page).
 Pet Solutions Catalogue, Sep. 2009, p. 31 (1 page).
 JB Wholesale Catalogue, Nov. 2006, pp. 80-81 (2 pages).
 Care-al-Lot Catalogue, Oct. 2003, p. 62 (1 page).
 Jeffers Pet Catalogue, Jun. 2005, p. 85 (1 page).
 Jeffers Pet Catalogue, Jul. 2007, pp. 92-93 (2 pages).

* cited by examiner

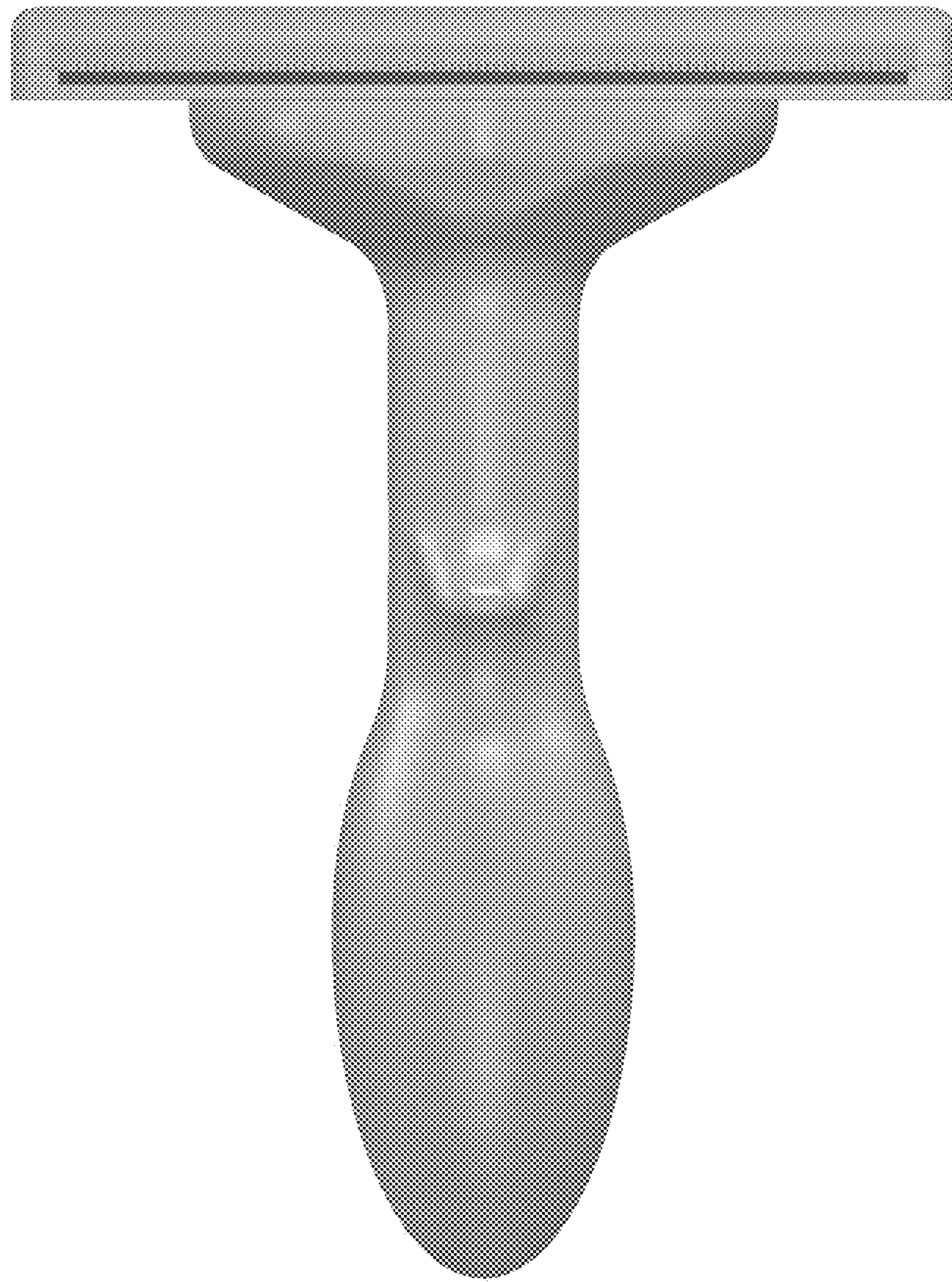


FIG. 1



FIG. 2

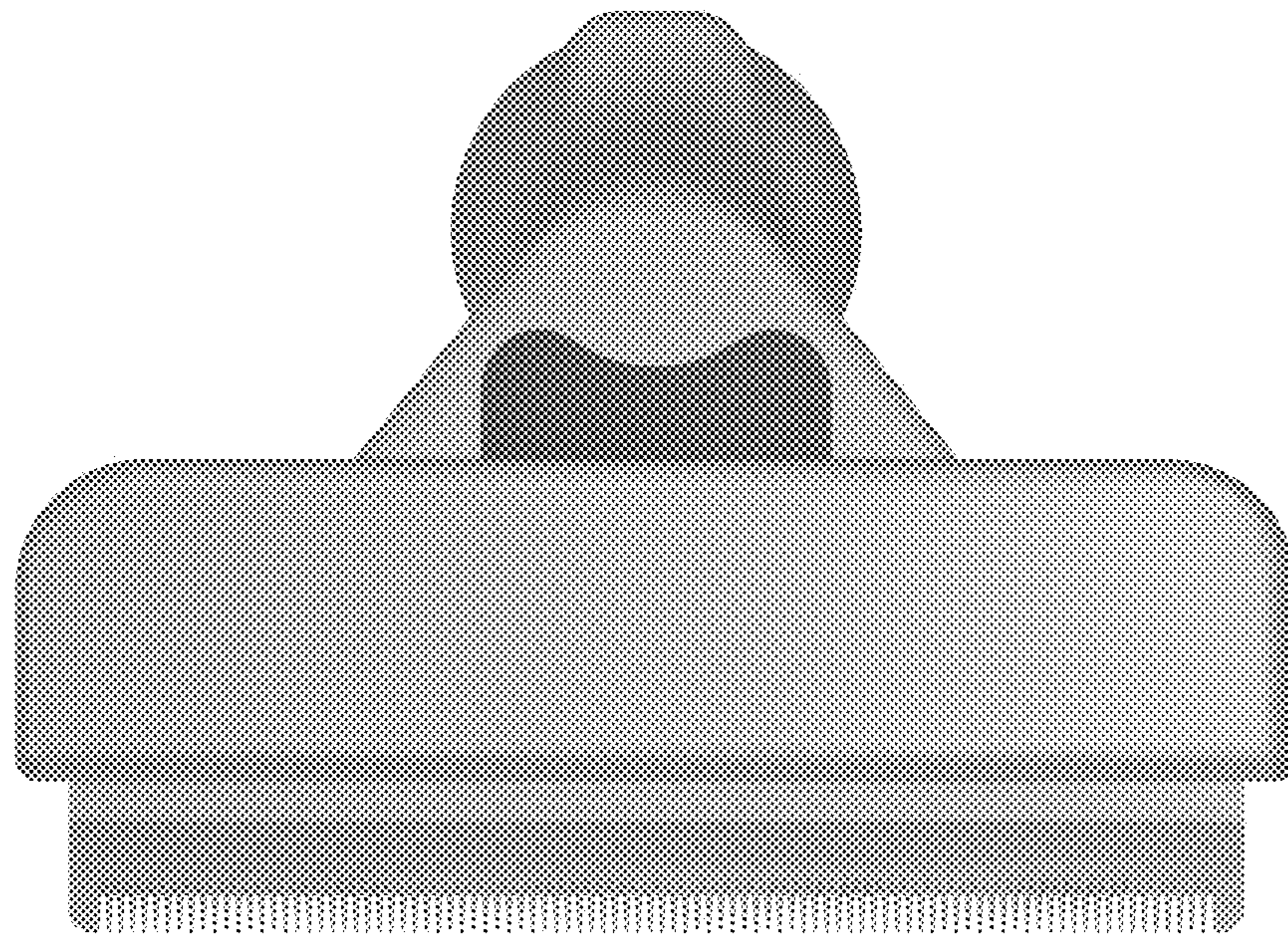


FIG. 3

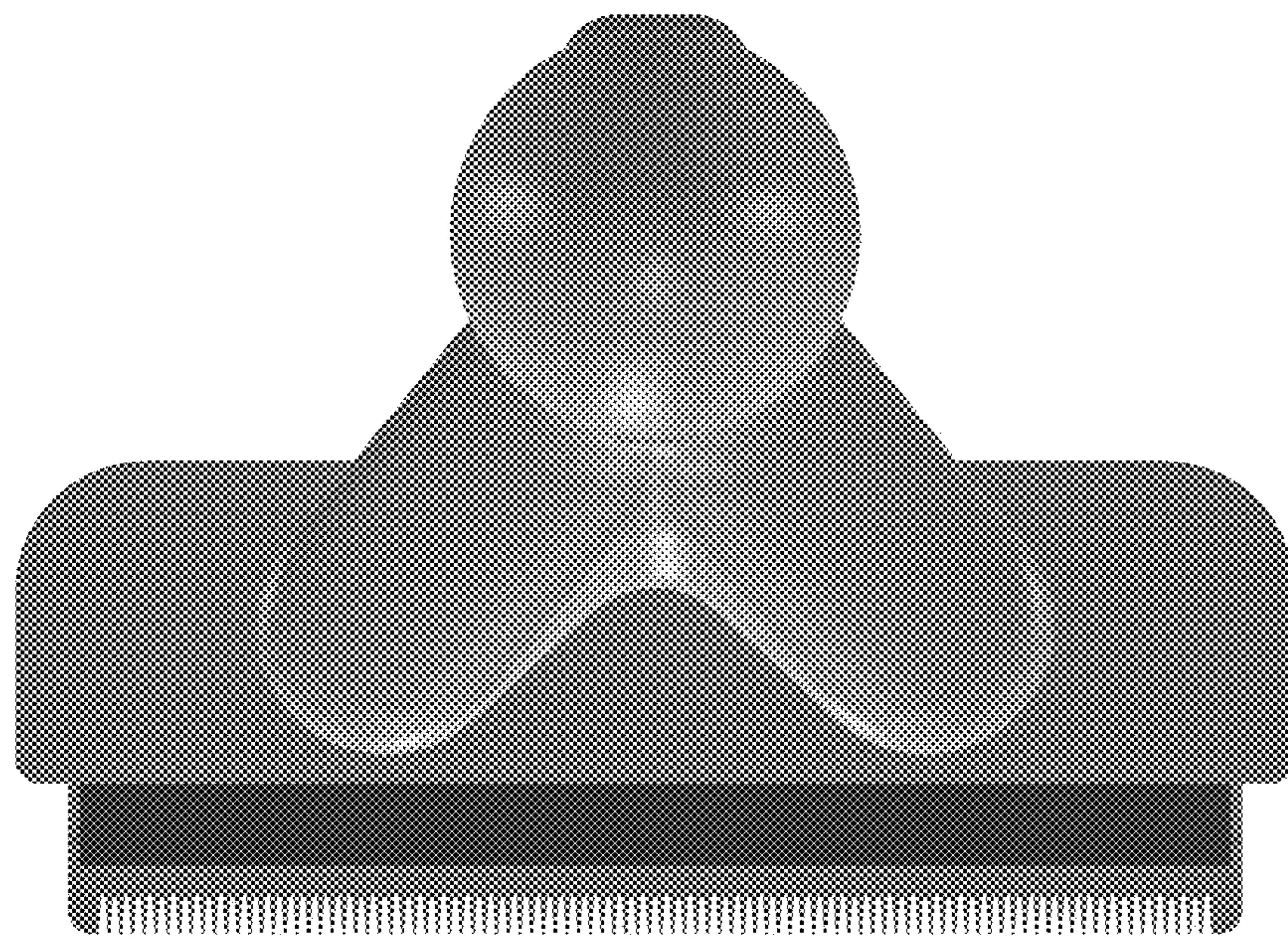


FIG. 4

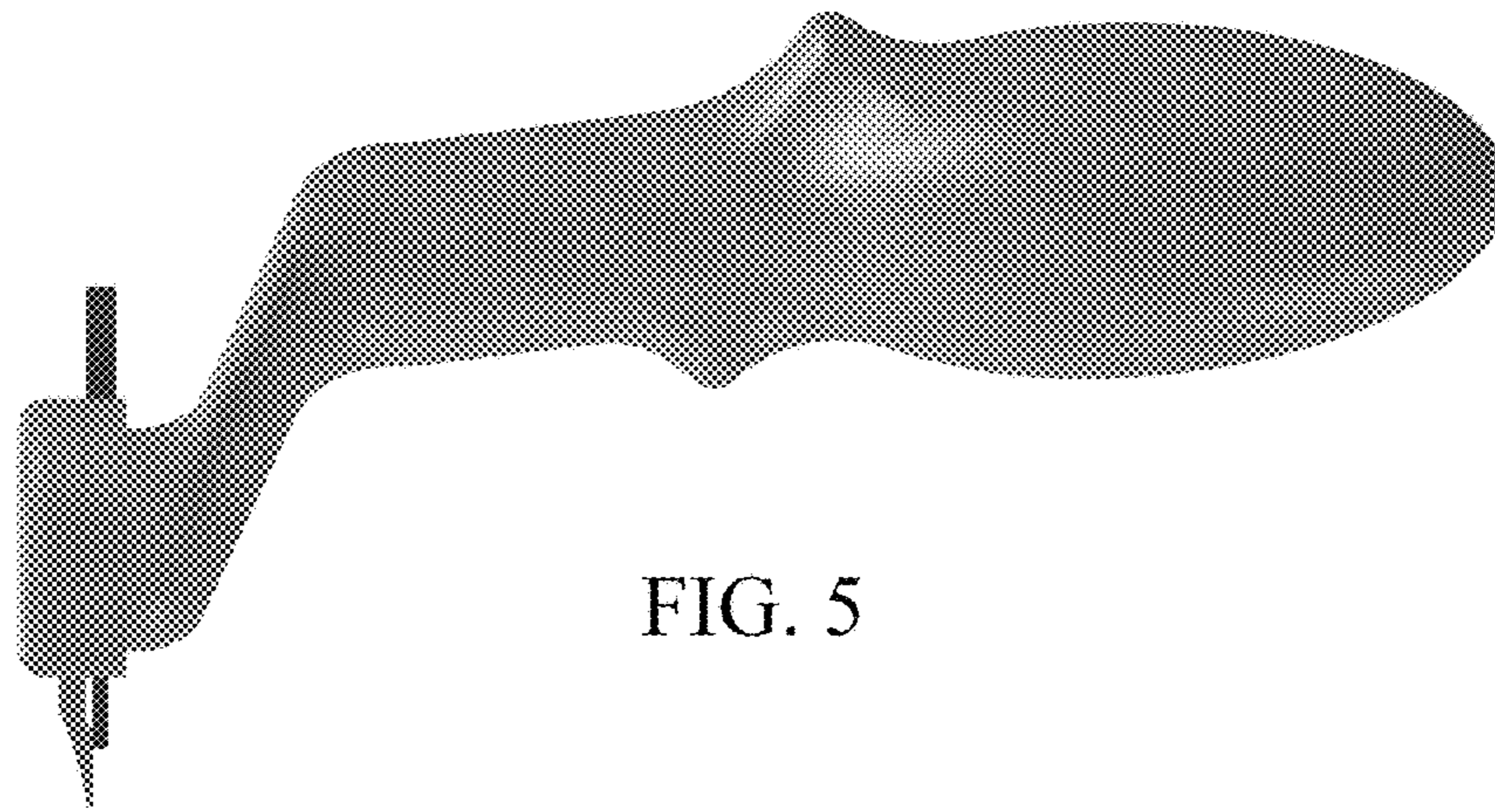


FIG. 5

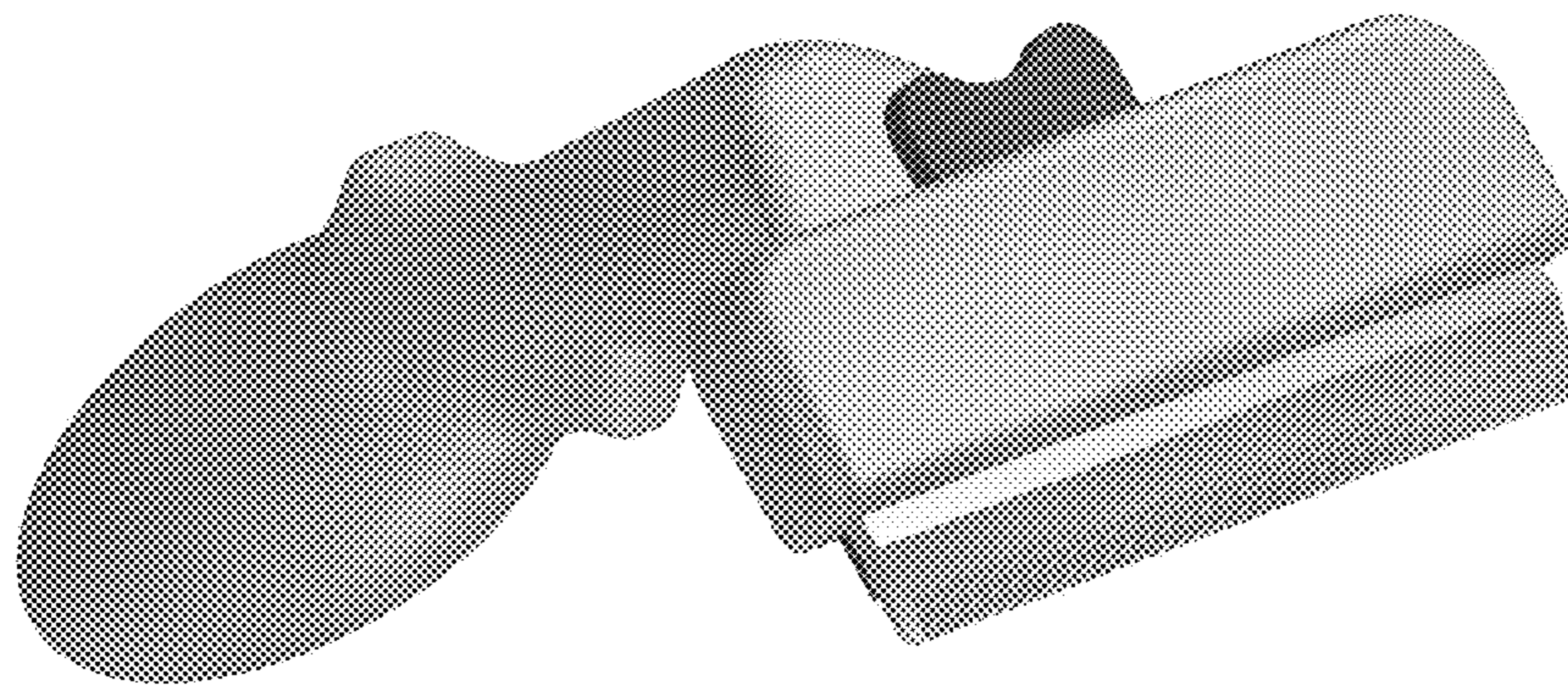


FIG. 6