



US00D787753S

(12) **United States Design Patent**
Moran

(10) **Patent No.:** **US D787,753 S**

(45) **Date of Patent:** **** May 23, 2017**

- (54) **TACK BOX**
- (71) Applicant: **Joseph Moran**, New York, NY (US)
- (72) Inventor: **Joseph Moran**, New York, NY (US)
- (**) Term: **15 Years**
- (21) Appl. No.: **29/555,297**
- (22) Filed: **Feb. 19, 2016**
- (51) **LOC (10) Cl.** **30-04**
- (52) **U.S. Cl.**
USPC **D30/143**; D34/19; D34/25
- (58) **Field of Classification Search**
USPC D30/143; D6/675; D3/272, 273, 279;
280/47.35, 79.3
CPC B62B 3/002; B62B 3/02; B62B 3/006; B62B
3/10
See application file for complete search history.

6,910,574 B2 *	6/2005	Straka	B65D 9/18 206/315.1
D535,452 S *	1/2007	Lim	D34/19
D584,014 S *	12/2008	Pittman	D30/134
D665,597 S *	8/2012	Dufoure	D34/20
D707,912 S *	6/2014	Koehler	D34/19
D708,809 S *	7/2014	Maddux	D34/19
D747,064 S *	1/2016	Brassard	D34/21
2005/0212239 A1 *	9/2005	Carter	A23L 3/001 280/47.35

* cited by examiner

Primary Examiner — Cynthia Ramirez

(74) *Attorney, Agent, or Firm* — Brian F. Reddy

(57) **CLAIM**

The ornamental design for a tack box, as shown and described.

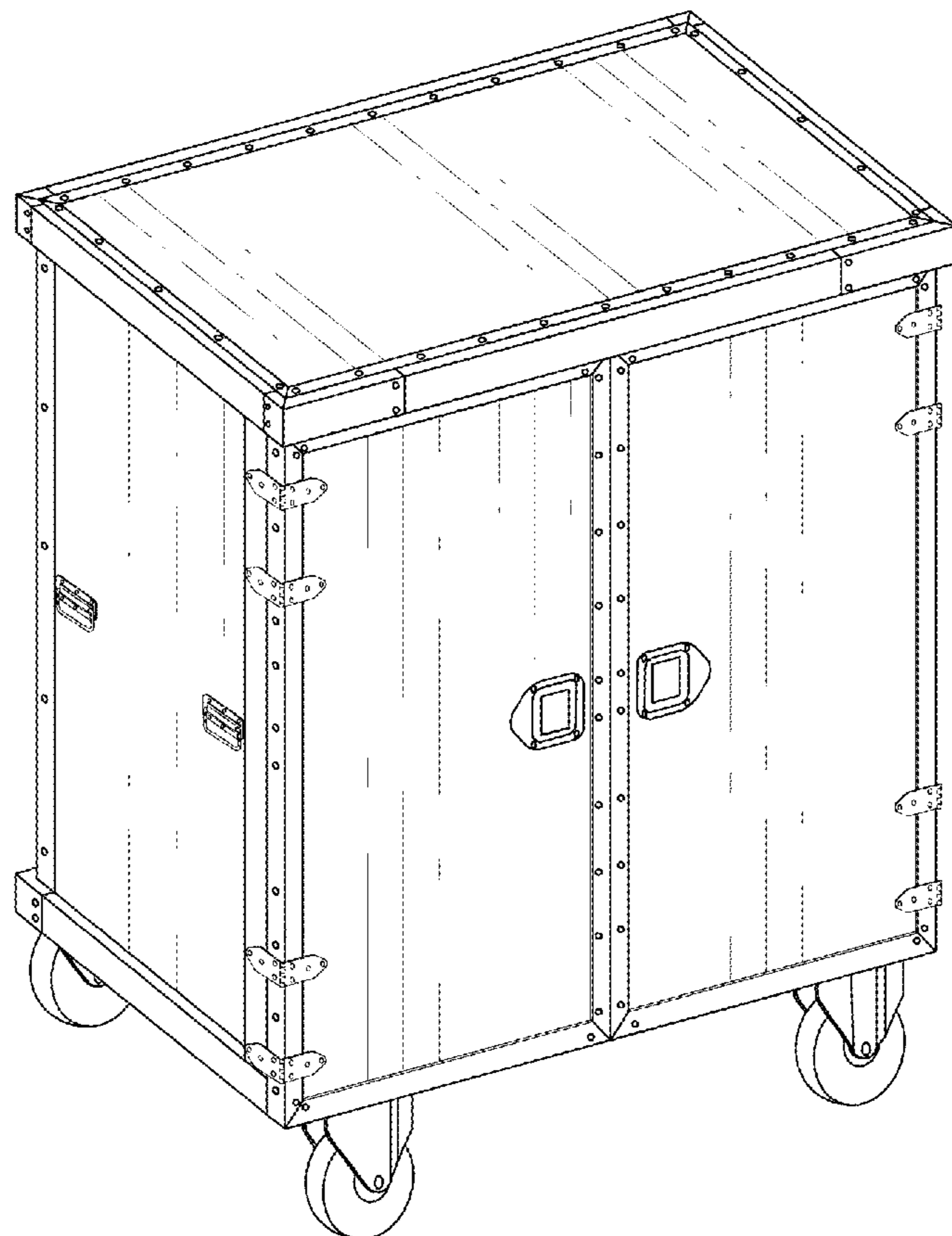
DESCRIPTION

FIG. 1 is a front left perspective view of a tack box showing my new design;
 FIG. 2 is a front elevation view thereof;
 FIG. 3 is a rear elevation view thereof;
 FIG. 4 is a left side elevation view thereof;
 FIG. 5 is a right side elevation view thereof;
 FIG. 6 is a top plan view thereof; and,
 FIG. 7 is a bottom plan view thereof.

1 Claim, 5 Drawing Sheets

(56) **References Cited**
 U.S. PATENT DOCUMENTS

D323,051 S *	1/1992	Baggott	D34/14
D377,548 S *	1/1997	O'Shea	D30/143
5,611,553 A *	3/1997	Schoeman	A47B 46/00 280/47.35



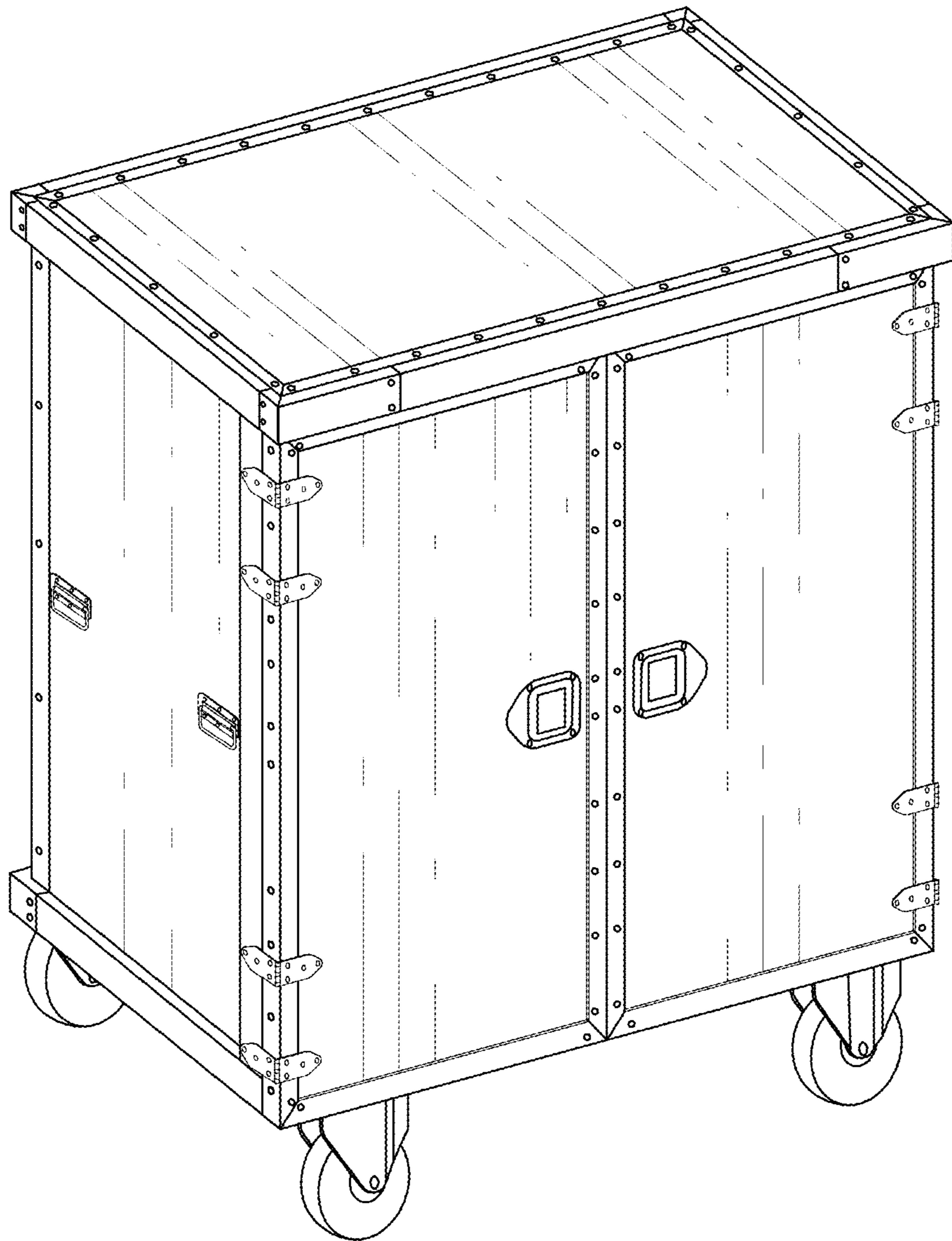


FIG. 1

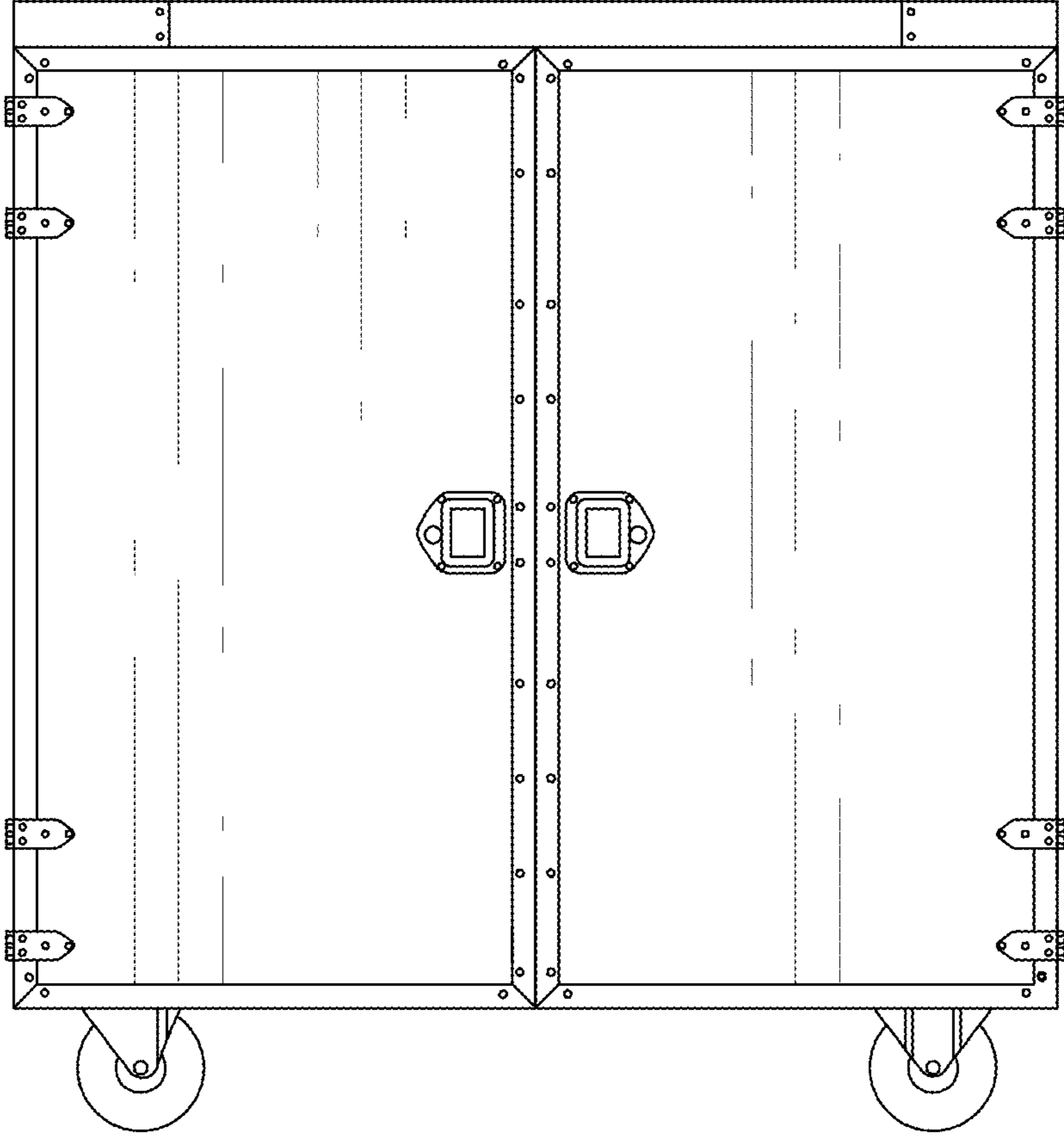


FIG. 2

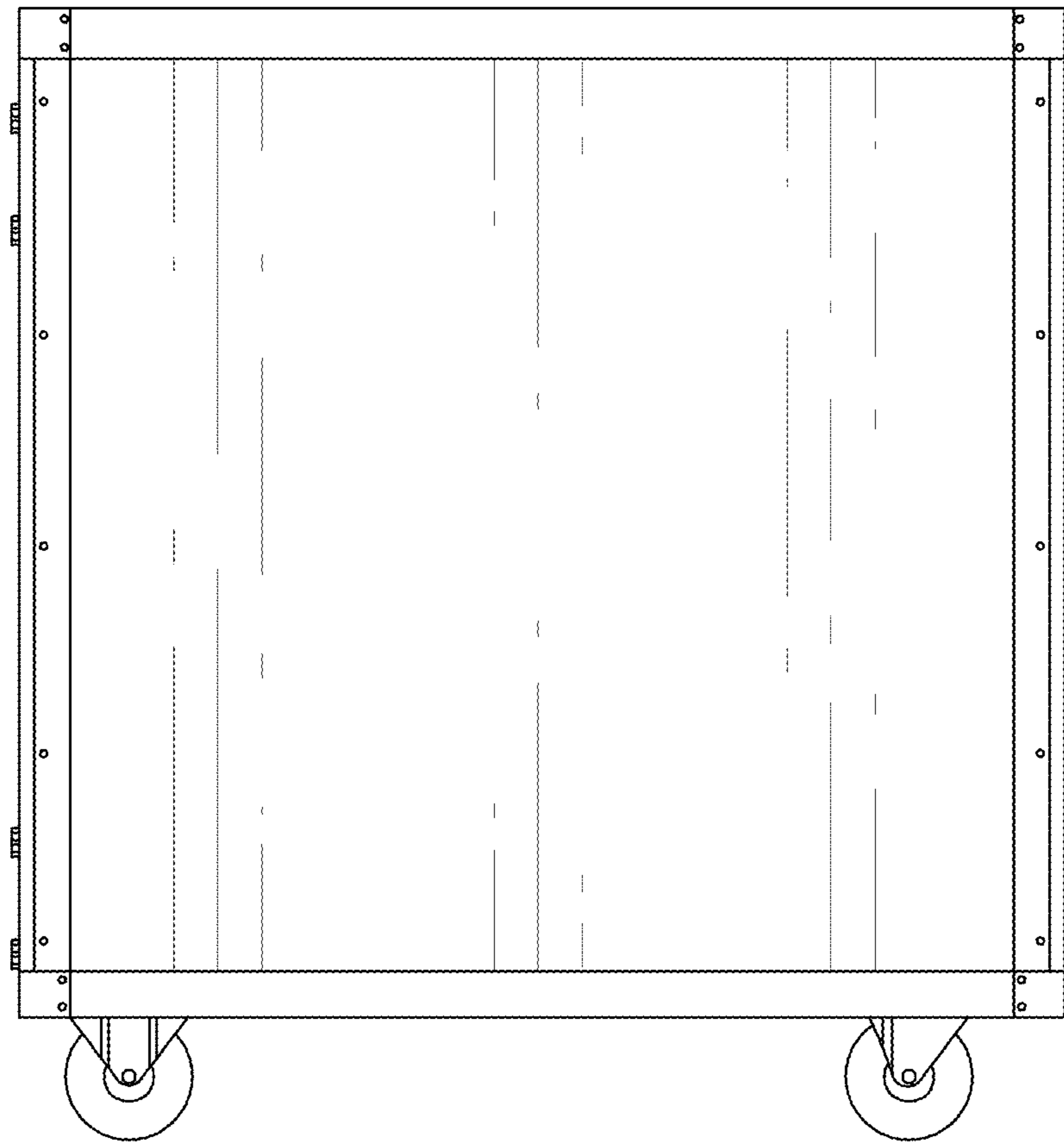


FIG. 3

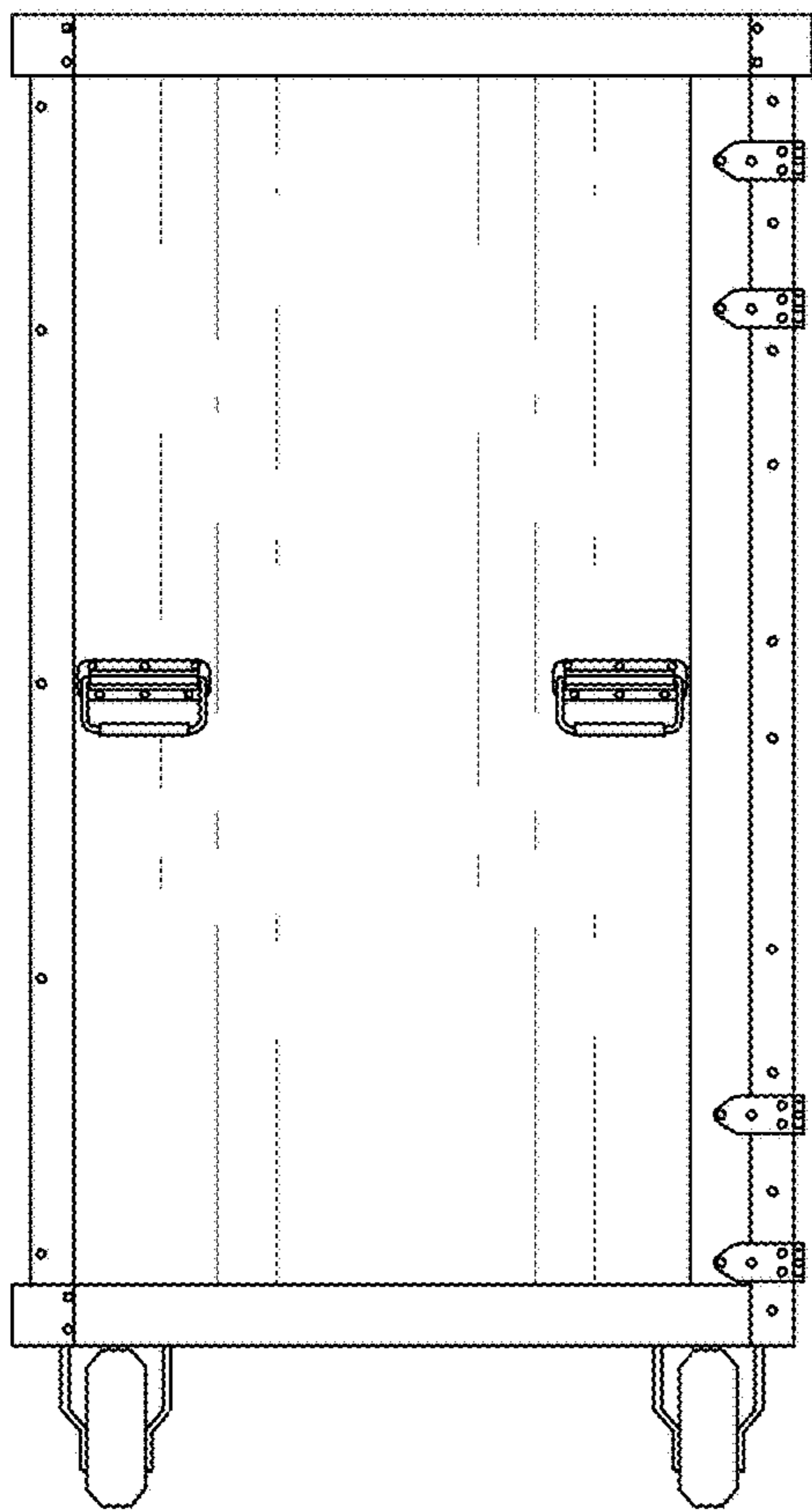


FIG. 4

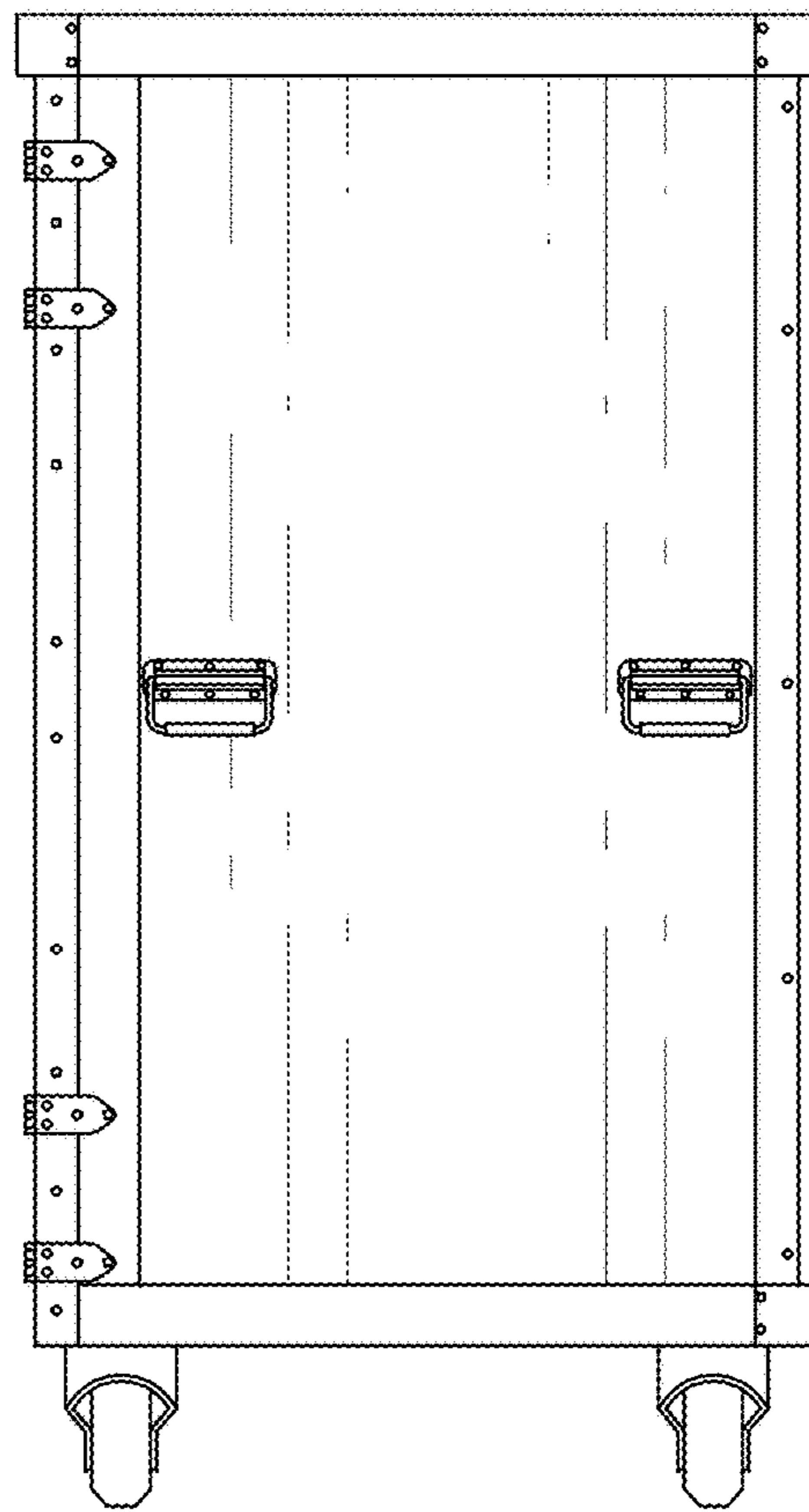


FIG. 5

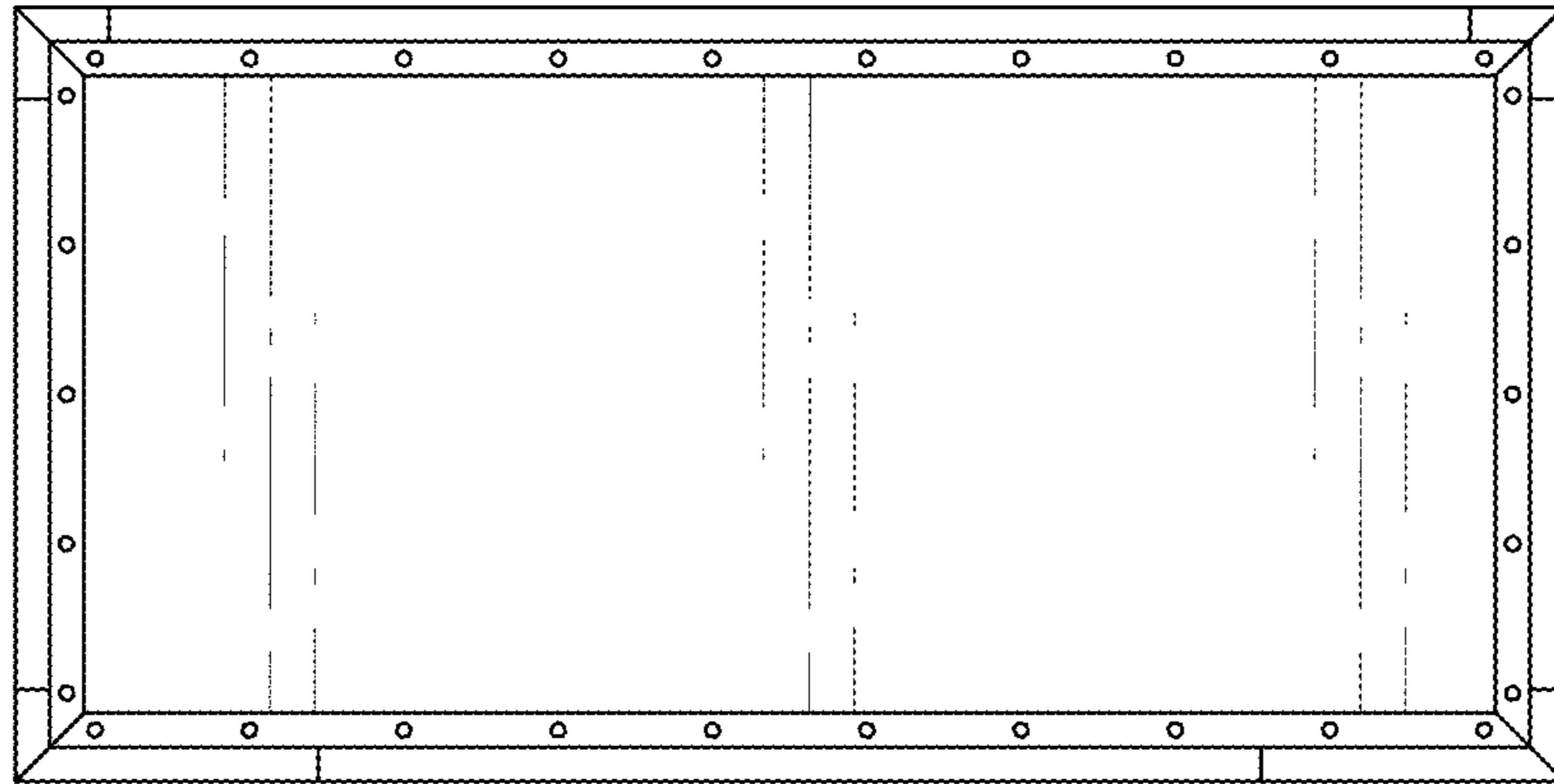


FIG. 6

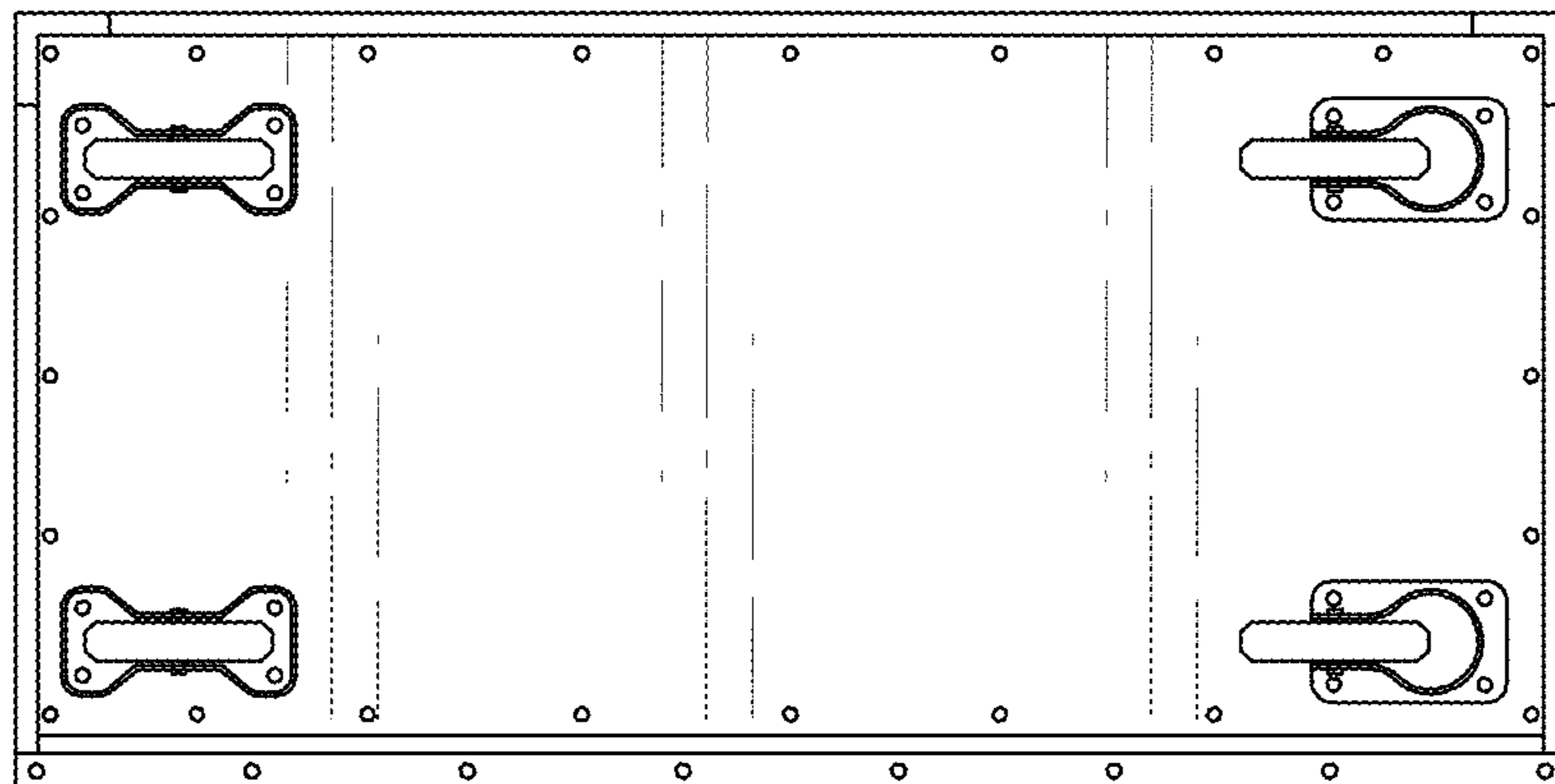


FIG. 7