



US00D787751S

(12) **United States Design Patent**
Bosco

(10) **Patent No.:** **US D787,751 S**

(45) **Date of Patent:** **** May 23, 2017**

(54) **ANIMAL FEEDER**

A01C 17/006; Y10T 74/19721; Y10T
74/2063; F16B 7/10-7/22; F16B
9/00-9/026

(71) Applicant: **John Anthony Bosco**, Cape Coral, FL
(US)

See application file for complete search history.

(72) Inventor: **John Anthony Bosco**, Cape Coral, FL
(US)

(56) **References Cited**

(73) Assignee: **John Anthony Bosco**, Cape Coral, FL
(US)

U.S. PATENT DOCUMENTS

(**) Term: **15 Years**

(21) Appl. No.: **29/620,008**

(22) Filed: **May 23, 2016**

(51) **LOC (10) Cl.** **30-03**

(52) **U.S. Cl.**

USPC **D30/121**

(58) **Field of Classification Search**

USPC D30/133, 121, 122, 124, 127, 128, 132,
D30/131, 114, 119; 119/51.01, 61, 51.04,
119/53, 57.91, 54, 53.5, 52.4, 51.11, 63,
119/61.2, 52.1, 57.5, 57.6, 51.13, 62, 75,
119/500, 501, 521, 57.92, 59, 51.12, 57.1,
119/56.1, 57; 239/7, 687, 379, 397.5;
222/199, 181.1, 181.2, 185.1, 557, 156,
222/485, 486, 548, 555; 220/200, 227,
220/247, 262; 221/174, 185.1, 289, 295,
221/296, 559; 454/35; 209/270, 283,
209/244; 52/194, 192; 49/279, 344, 357;
D34/28; 248/176.1, 165, 170, 166, 150,
248/155.1, 155.5, 173, 187.1, 188.5,
248/188.6; D16/244

CPC A01K 5/0225; A01K 5/00; A01K 5/02;
A01K 5/01; A01K 5/0291; A01K 5/0266;
A01K 5/0275; A01K 5/0283; A01K
39/00; A01K 39/01; A01K 39/0113;
A01K 39/012; A01K 39/0125; A01K
39/014; B28C 7/0046; B65D 90/14;
B65D 88/52; B65D 88/30; A01C 17/005;

2,654,346 A * 10/1953 Goff A01K 39/02
119/72
3,034,480 A * 5/1962 French A01K 5/0241
119/57.91
3,152,575 A * 10/1964 Singley A01K 5/0275
119/56.1
3,306,262 A * 2/1967 Hart A01K 39/024
119/72
4,337,728 A * 7/1982 Van Gilst A01K 7/02
119/51.01
4,527,513 A * 7/1985 Hart A01K 39/04
119/51.5
4,576,350 A * 3/1986 Bond B65B 67/12
248/100
D295,091 S * 4/1988 Swartzendruber D30/132
4,967,697 A * 11/1990 Lau A01K 61/80
119/51.04
D321,959 S * 11/1991 Cole D30/121

(Continued)

Primary Examiner — Susan Moon Lee

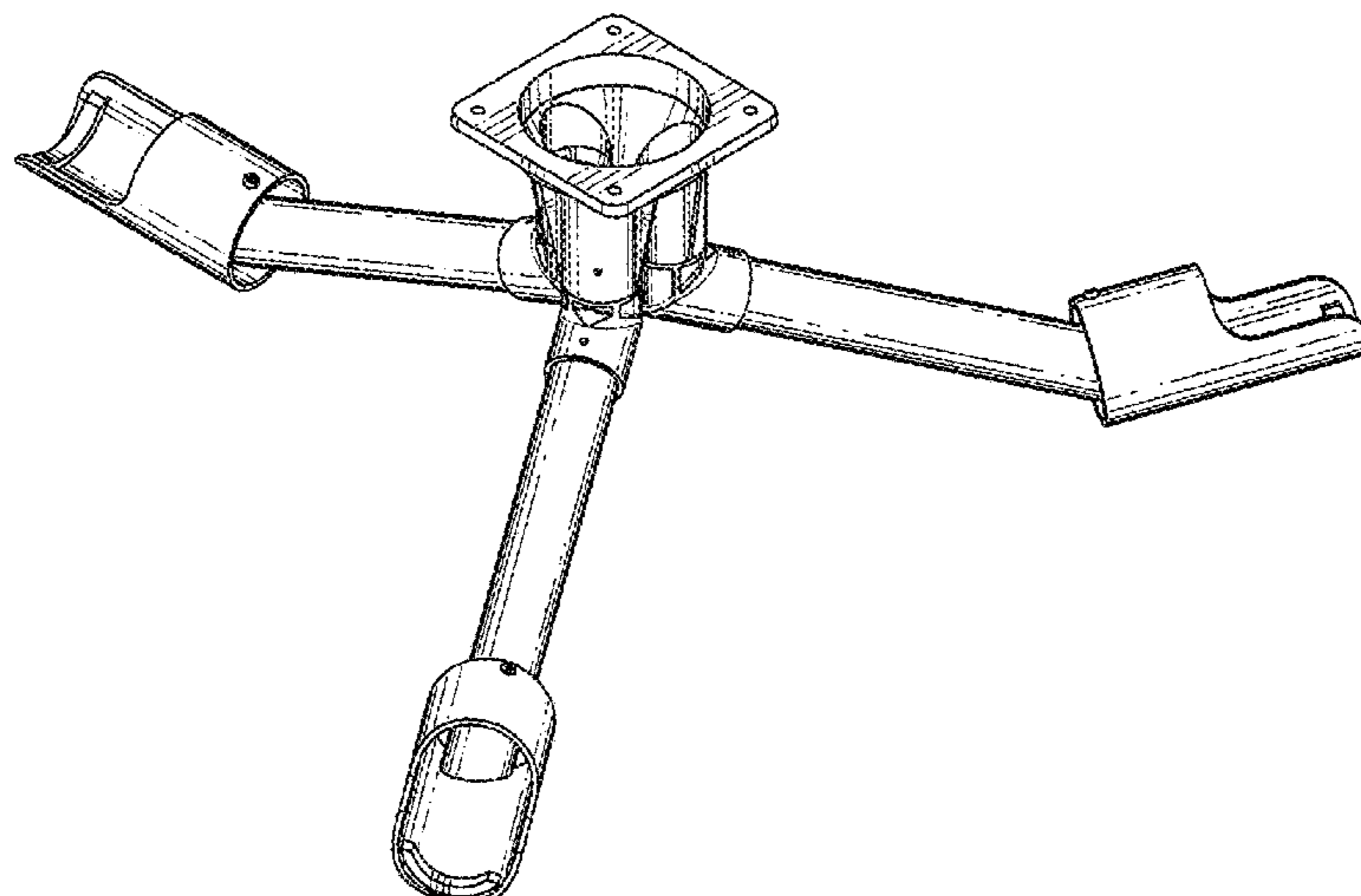
(57) **CLAIM**

The ornamental design for an animal feeder, as shown and described.

DESCRIPTION

FIG. 1 is a top perspective view of an animal feeder in accordance with my new design;
FIG. 2 is a first side view thereof;
FIG. 3 is a second side view thereof;
FIG. 4 is a third side view thereof;
FIG. 5 is a fourth side view thereof;
FIG. 6 is a top plan view thereof; and,
FIG. 7 is a bottom view thereof.

1 Claim, 7 Drawing Sheets



(56)

References Cited

U.S. PATENT DOCUMENTS

D330,612 S *	10/1992	Leach	D30/121	8,201,520 B2	6/2012	Meritt	
6,510,813 B1 *	1/2003	Boone, Jr.	A01K 39/012	D681,883 S *	5/2013	Meritt D30/121
				119/57.91	D685,533 S *	7/2013	Sides D30/121
6,920,841 B2	7/2005	Meritt			9,480,239 B2 *	11/2016	Worsley A01K 5/0225
6,959,664 B1 *	11/2005	Keuter	A01K 5/0225	2006/0048712 A1 *	3/2006	Boyer A01K 5/0225
				119/51.01				119/57.91
7,162,974 B2 *	1/2007	Tippetts	A01K 5/0114	2006/0060148 A1 *	3/2006	Boyer A01K 5/0225
				119/57.8				119/57.91
D543,666 S *	5/2007	Ross	D30/133	2007/0028844 A1 *	2/2007	Bodenstab A01K 5/0225
7,302,912 B2	12/2007	Boyer						119/52.1
D559,470 S *	1/2008	Stevens	D30/121	2009/0241845 A1 *	10/2009	Croft A01K 5/0291
7,370,605 B2	5/2008	Meritt						119/51.11
D599,503 S *	9/2009	Meritt	D30/133	2010/0307421 A1 *	12/2010	Gates A01K 5/0225
D602,649 S *	10/2009	Meritt	D30/121				119/56.1
D603,104 S *	10/2009	Meritt	D30/121	2012/0037079 A1 *	2/2012	Rasmussen A01K 5/0225
D603,105 S *	10/2009	Meritt	D30/121				119/52.3
D603,566 S *	11/2009	Meritt	D30/121	2012/0073506 A1	3/2012	Meritt	
D622,452 S *	8/2010	Castro	D30/121	2014/0131468 A1 *	5/2014	Meritt A01C 17/001
D622,453 S *	8/2010	Meritt	D30/133				239/7
D624,706 S *	9/2010	Meritt	D30/121	2014/0174368 A1 *	6/2014	Salinas A01K 5/0225
D624,707 S *	9/2010	Meritt	D30/121				119/51.11
D624,709 S *	9/2010	Meritt	D30/121	2014/0267705 A1 *	9/2014	Hankins A01K 5/02
D629,572 S *	12/2010	Meritt	D30/133				348/143
D629,975 S *	12/2010	Meritt	D30/133	2015/0272079 A1 *	10/2015	Evans A01K 5/0225
D629,976 S *	12/2010	Meritt	D30/133				119/51.01
D636,942 S *	4/2011	Meritt	D30/121	2016/0029591 A1 *	2/2016	Meritt A01K 5/0225
D647,253 S *	10/2011	Meritt	D30/121				119/52.1
					2017/0013803 A1 *	1/2017	Teinert A01K 5/0225

* cited by examiner

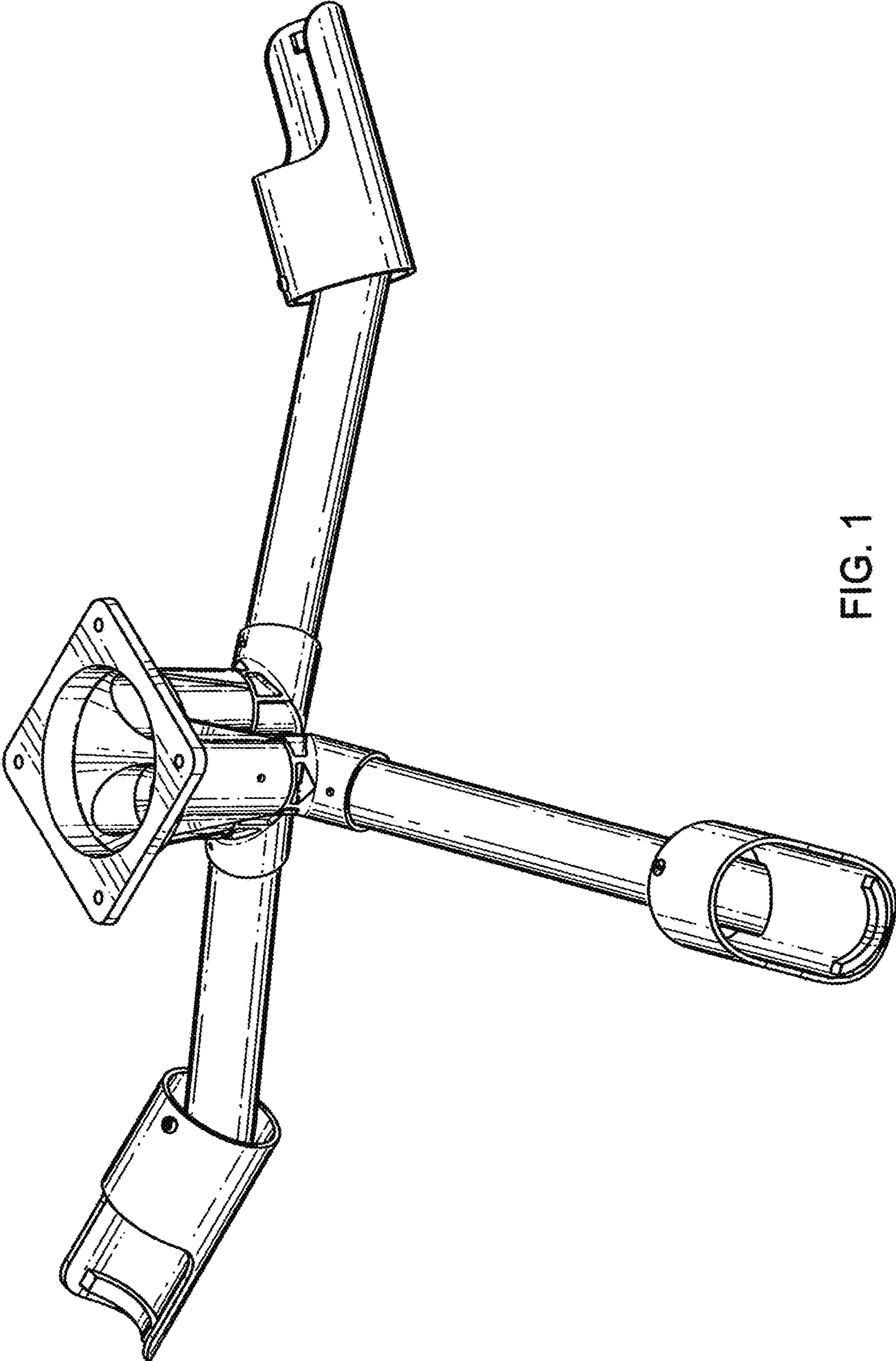


FIG. 1

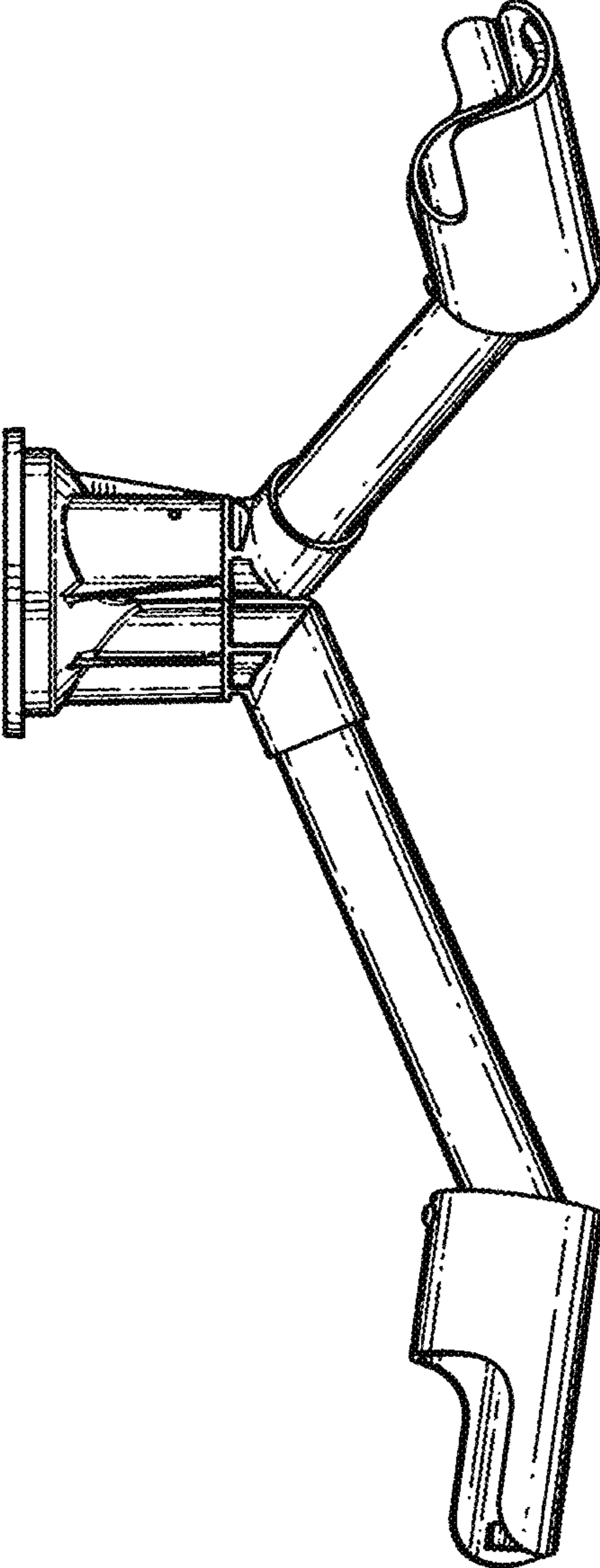


FIG. 2

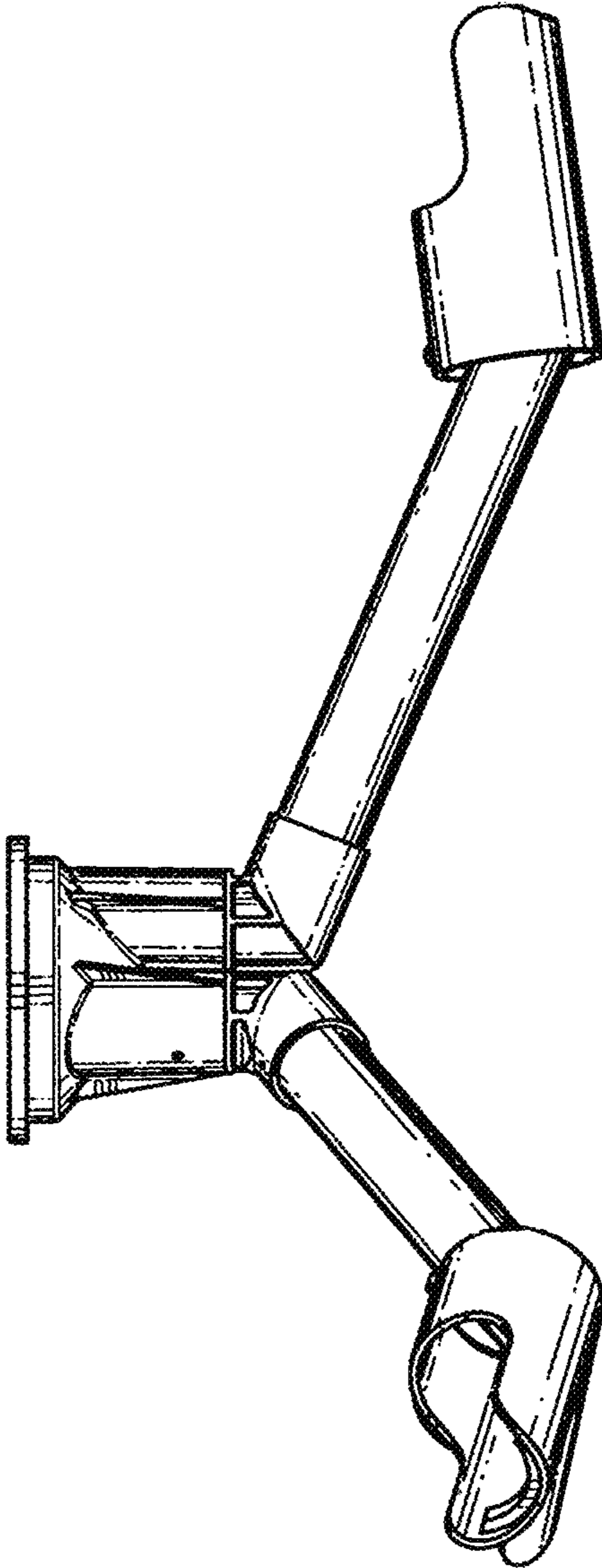


FIG. 3

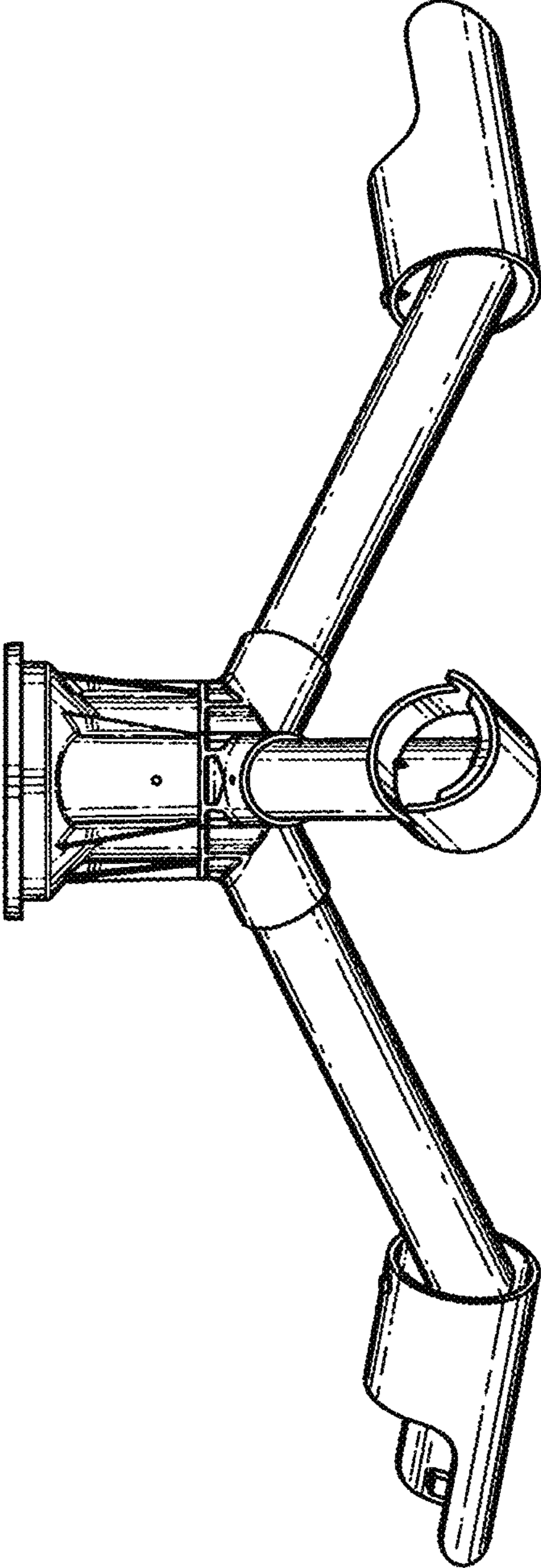


FIG. 4

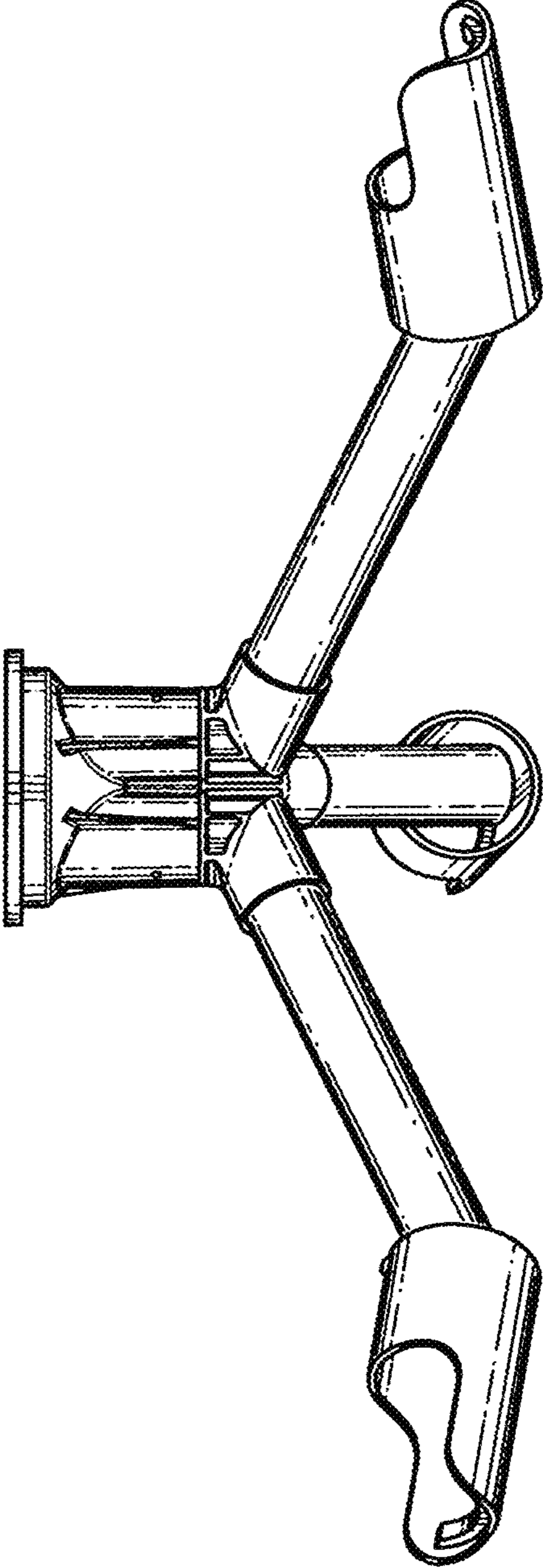


FIG. 5

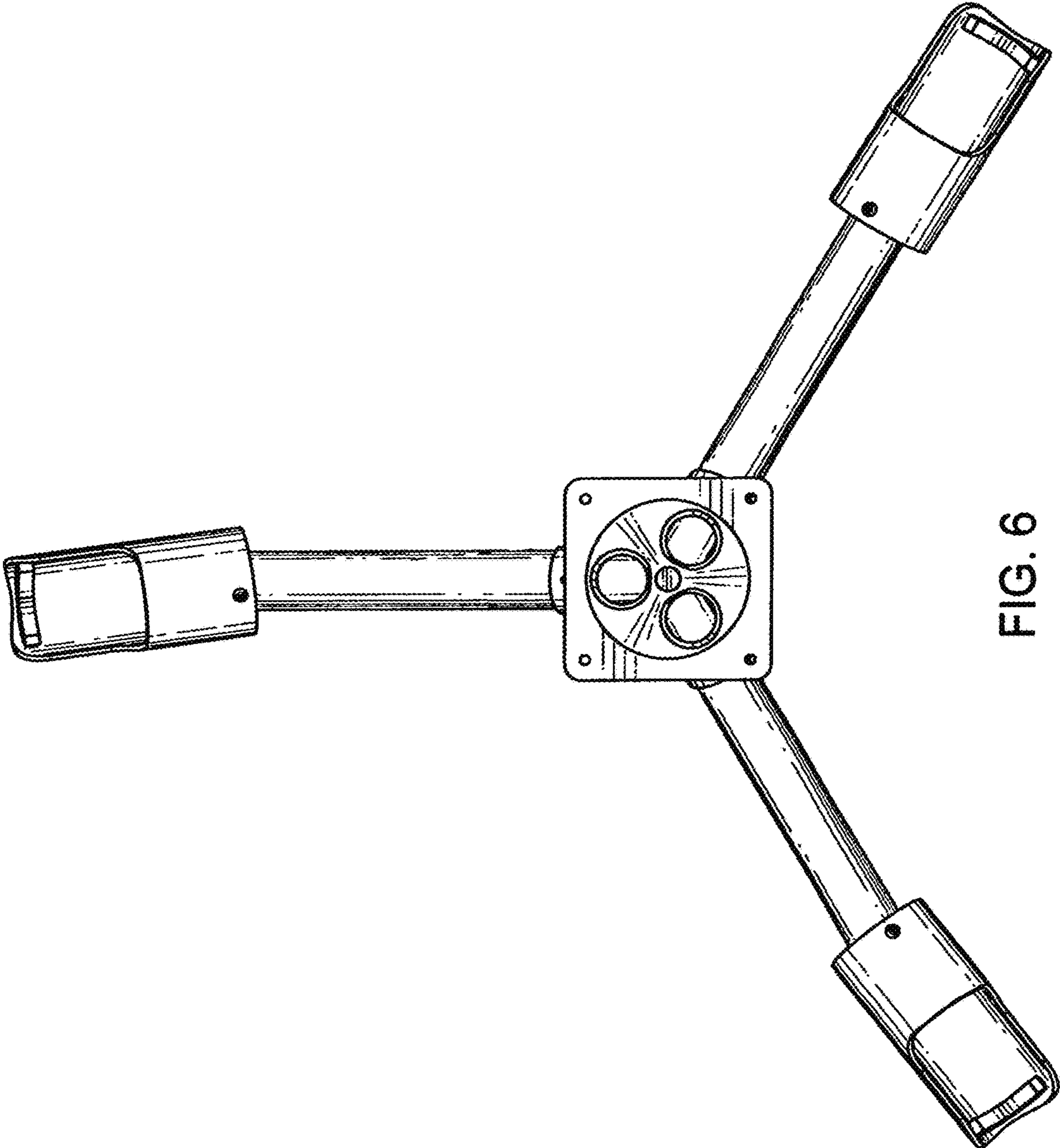


FIG. 6

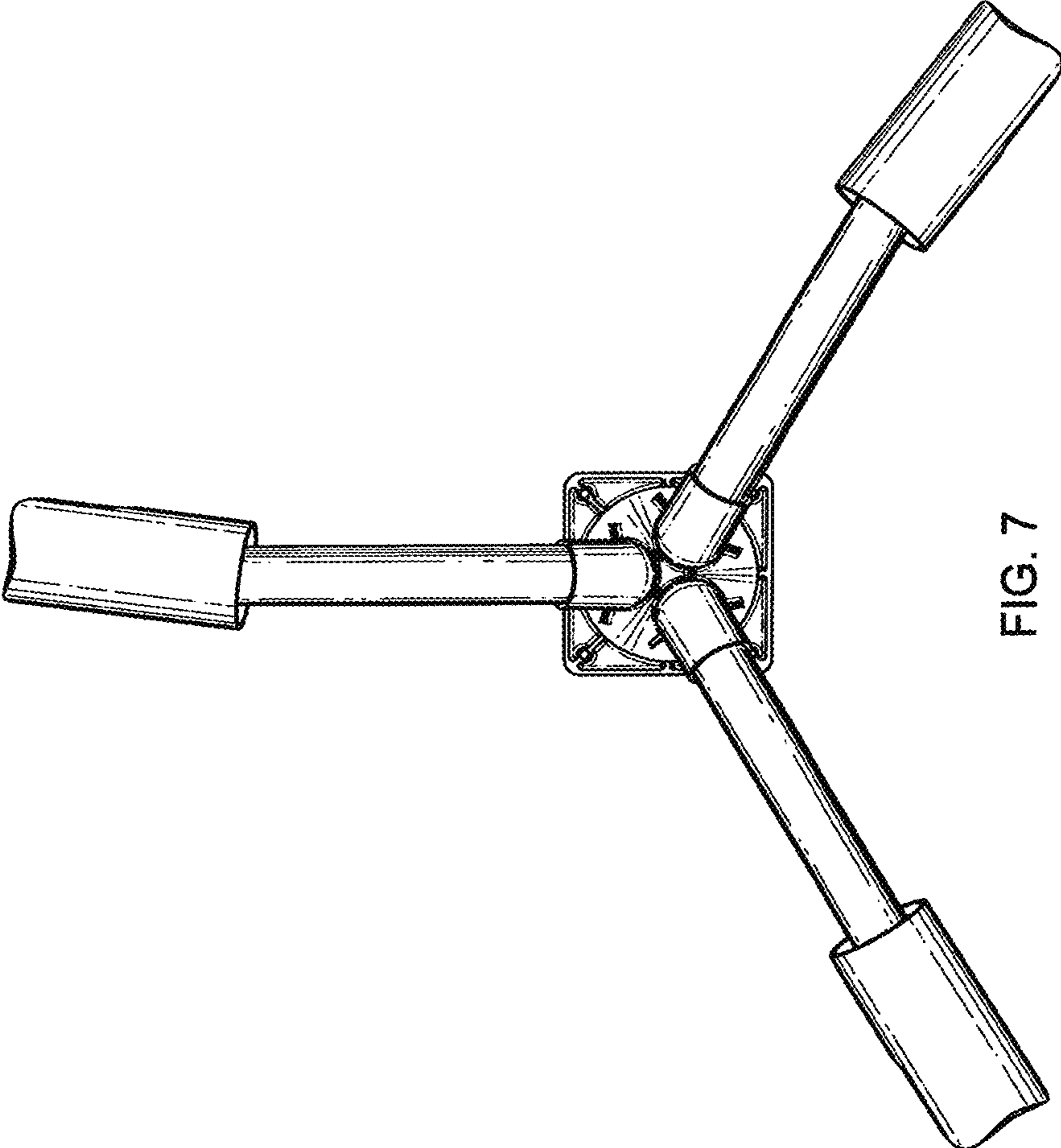


FIG. 7