



US00D787741S

(12) **United States Design Patent**
Paquet

(10) **Patent No.:** **US D787,741 S**

(45) **Date of Patent:** **** May 23, 2017**

(54) **COMBINED LIP BALM AND APPLICATOR**

(71) Applicant: **Ken Paquet**, North York (CA)

(72) Inventor: **Ken Paquet**, North York (CA)

(**) Term: **15 Years**

(21) Appl. No.: **29/505,394**

(22) Filed: **Oct. 8, 2015**

(51) **LOC (10) Cl.** **28-03**

(52) **U.S. Cl.**

USPC **D28/7; D28/85; D9/428; D9/504**

(58) **Field of Classification Search**

USPC D28/4, 76, 77, 85, 86, 87, 88, 89, 90;
D9/651, 737, 738, 516, 522, 529, 549,
D9/551, 553, 555, 560, 559, 564, 566,
D9/504, 432, 726, 502, 530

CPC A45D 33/00; A45D 33/14; A45D 34/06;
A45D 40/02; A45D 40/06; A45D 40/20

See application file for complete search history.

(56) **References Cited**

U.S. PATENT DOCUMENTS

D210,057 S *	1/1968	Pfrommer	D28/76
D229,120 S *	11/1973	Bell	D26/49
5,067,836 A *	11/1991	Khan	A45D 40/06 401/195
5,800,086 A	9/1998	Piscopo et al.		
5,897,263 A	4/1999	Fattori		
D426,410 S *	6/2000	De Laforcade	D19/93
D434,324 S *	11/2000	Gobe	D28/76
6,193,427 B1	2/2001	Benguigui		
7,021,849 B2	4/2006	Ramet		
D532,935 S *	11/2006	Kostow	D28/76
D532,937 S *	11/2006	Noh	D28/76
D618,397 S	6/2010	Dubitsky		
D625,469 S	10/2010	Dubitsky		
D631,204 S	1/2011	Dubitsky		
7,997,461 B2	8/2011	Lester et al.		
D644,939 S	9/2011	Teller		

D651,903 S	1/2012	Teller		
8,215,857 B2	7/2012	Carroll		
8,444,337 B2	5/2013	Teller		
D693,687 S *	11/2013	Karay	D7/540
D694,112 S *	11/2013	Brown	D9/428
8,651,308 B1	2/2014	Sung		
D707,884 S *	6/2014	Park	D28/7
D709,652 S	7/2014	Teller		
D728,382 S *	5/2015	Goswell	D9/504
D734,550 S *	7/2015	Schlatter	D28/83
D734,894 S *	7/2015	Schlatter	D28/76
D739,083 S *	9/2015	Ho	D28/85

(Continued)

FOREIGN PATENT DOCUMENTS

WO WO 02/03830 A1 1/2002

Primary Examiner — Jennifer Rivard

Assistant Examiner — April Rivas

(57) **CLAIM**

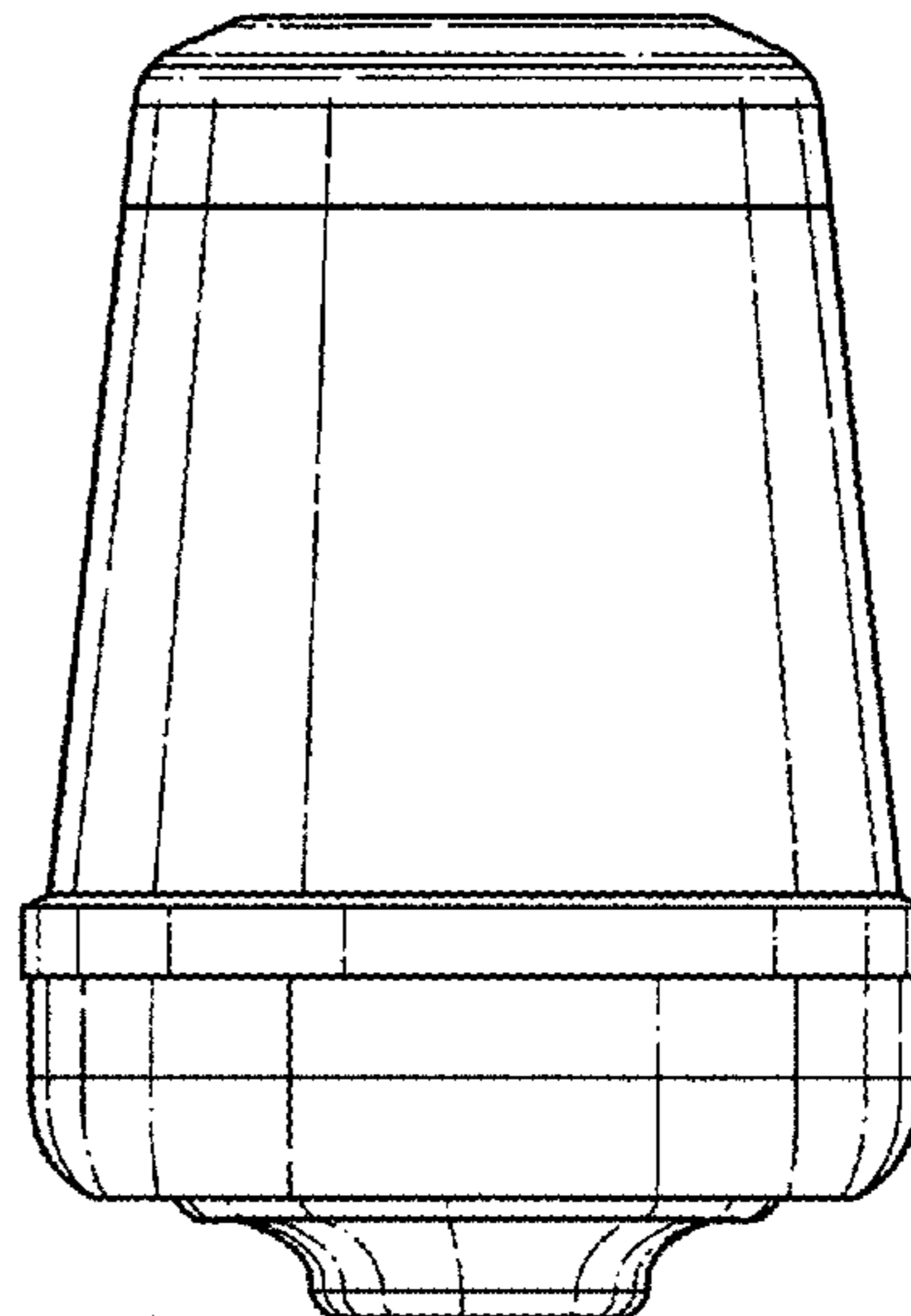
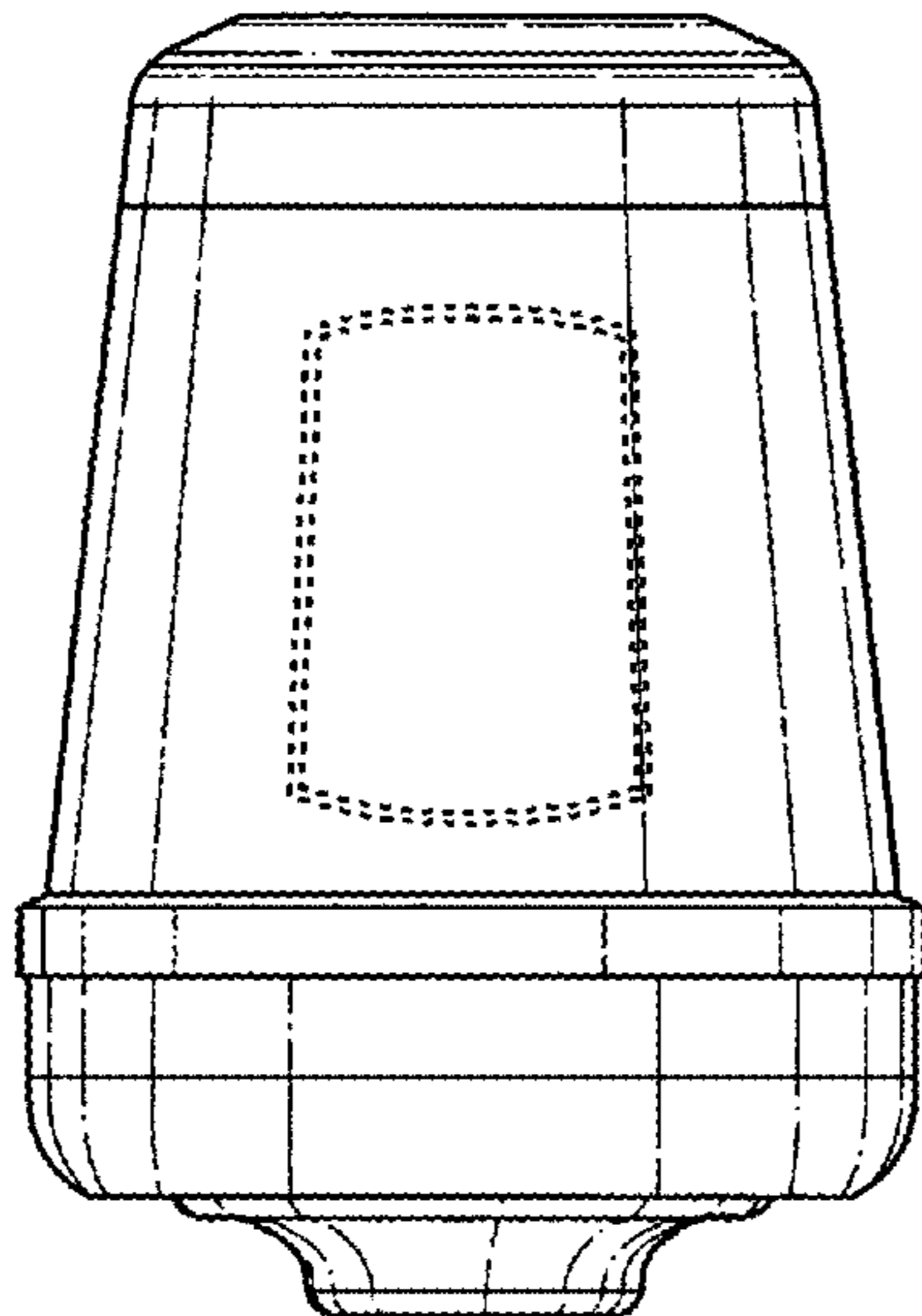
I claim the ornamental design for a combined lip balm and applicator, as shown and described.

DESCRIPTION

FIG. 1 is a top isometric view of a combined lip balm and applicator showing my new design; FIG. 2 is a front elevational view thereof; FIG. 3 is a rear elevational view thereof; FIG. 4 is a left side view thereof; FIG. 5 is a right side view thereof; FIG. 6 is a top plan view thereof; FIG. 7 is a bottom plan view thereof; and, FIG. 8 is a front view thereof with the cap removed and showing the exposed lip balm, with the rear, left side, and right side views identical except for the positioning of the dotted line component.

The dotted lines shown in the drawings illustrate environment and form no part of the claimed design.

1 Claim, 5 Drawing Sheets



(56)

References Cited

U.S. PATENT DOCUMENTS

D739,741 S	*	9/2015	Staab	D9/454
D740,493 S	*	10/2015	David	D28/89
D756,037 S	*	5/2016	Schlatter	D28/85
D765,512 S	*	9/2016	Joulia	D28/7

* cited by examiner

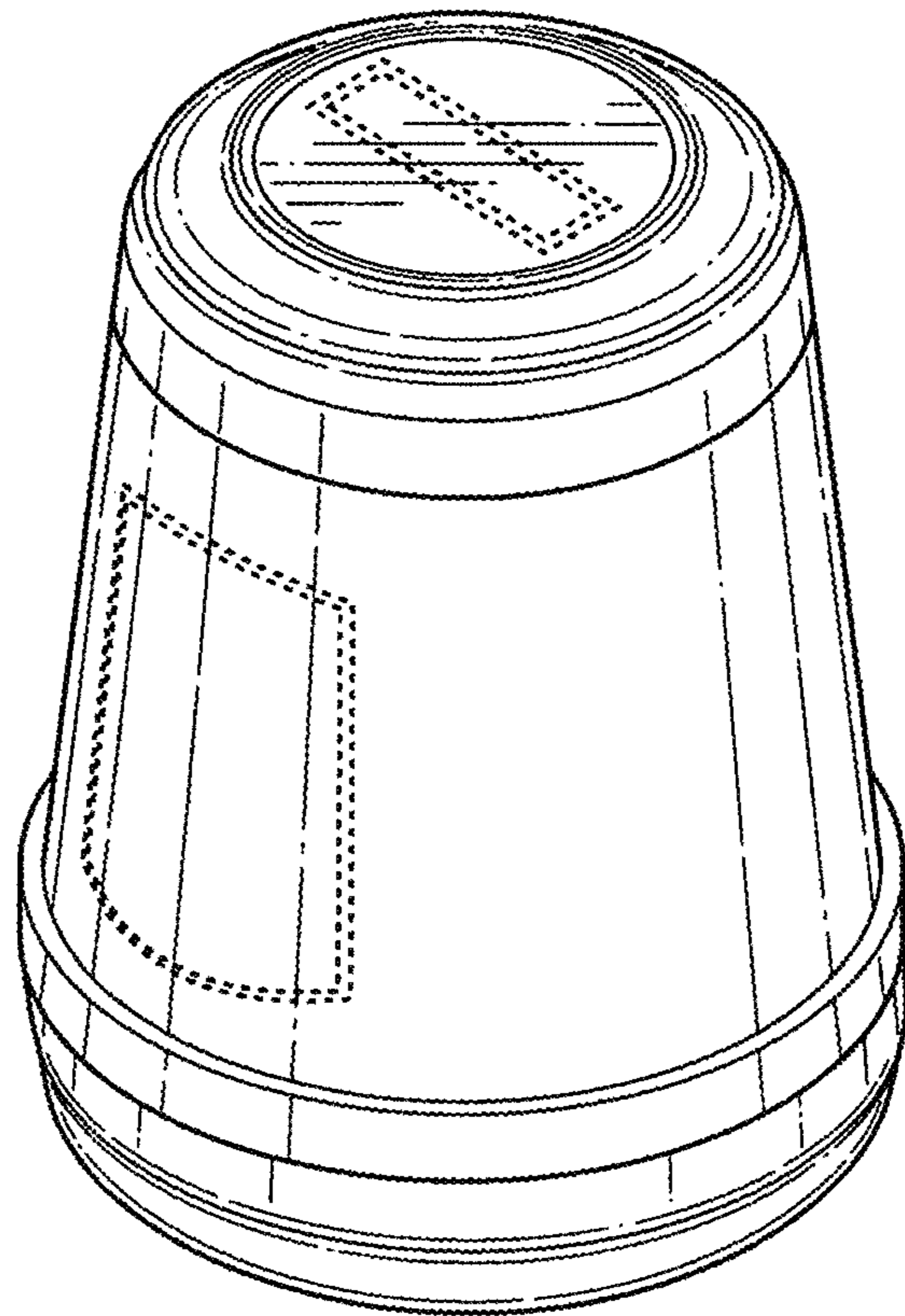


FIG. 1

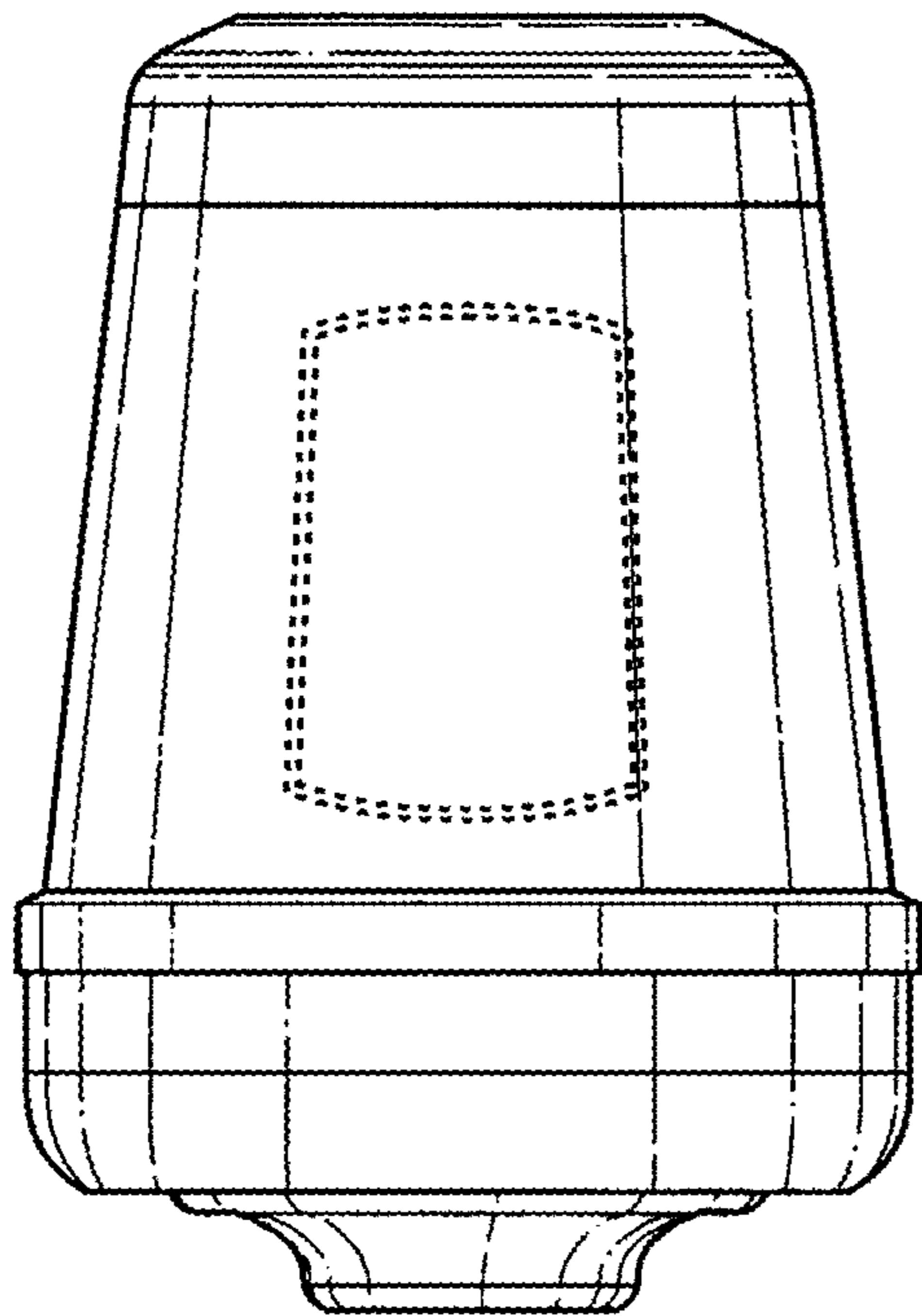


FIG. 2

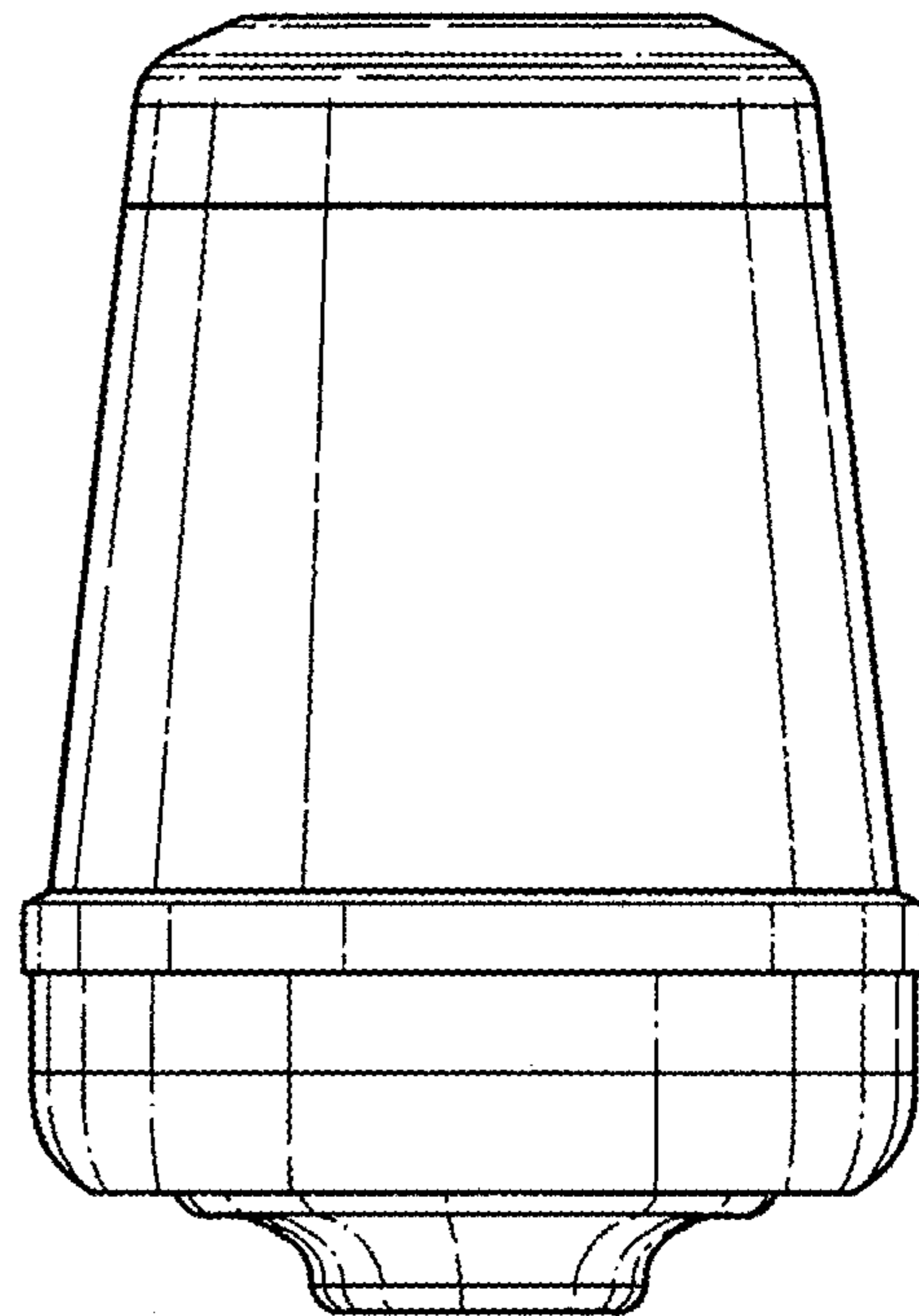


FIG. 3

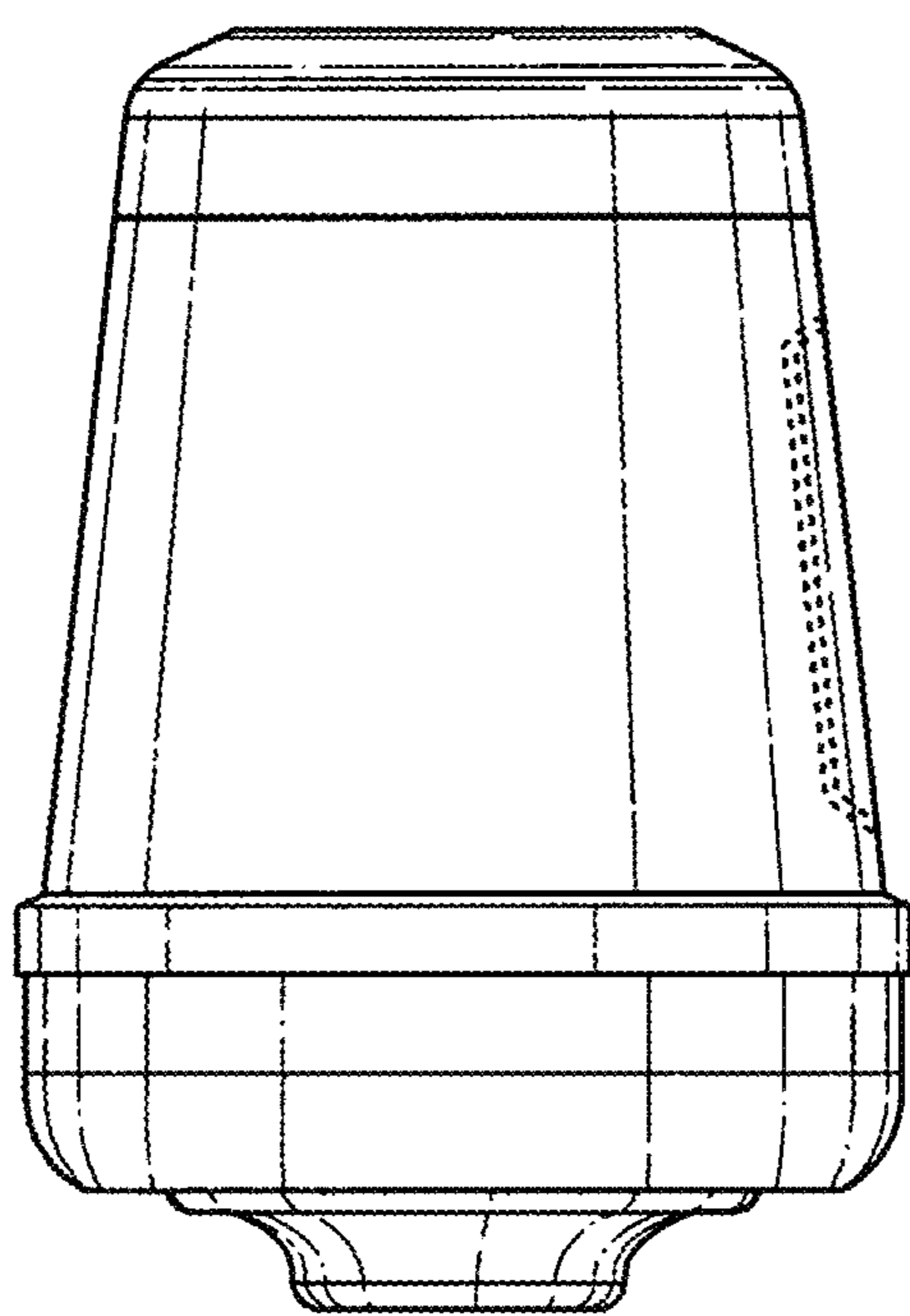


FIG. 4

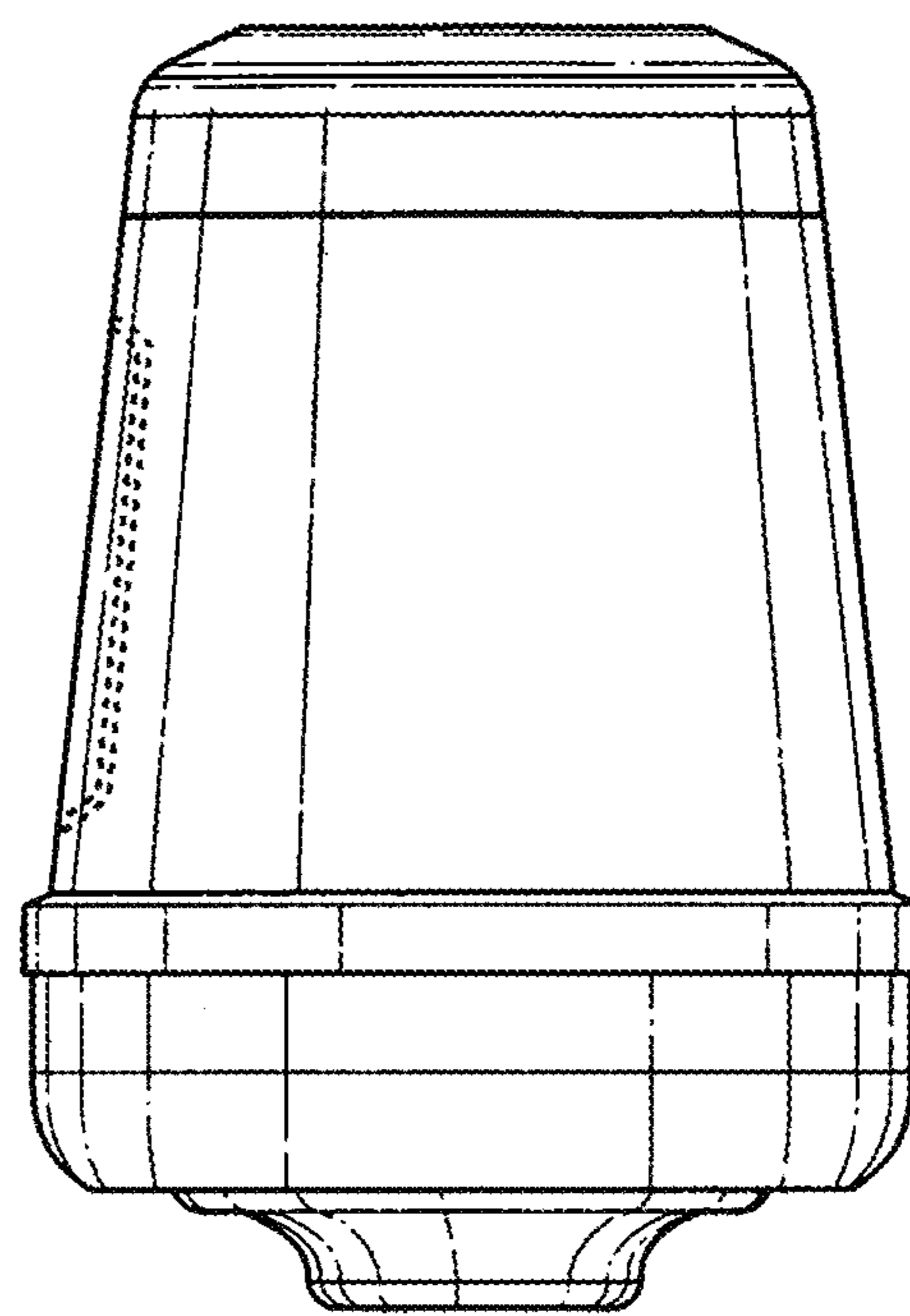


FIG. 5

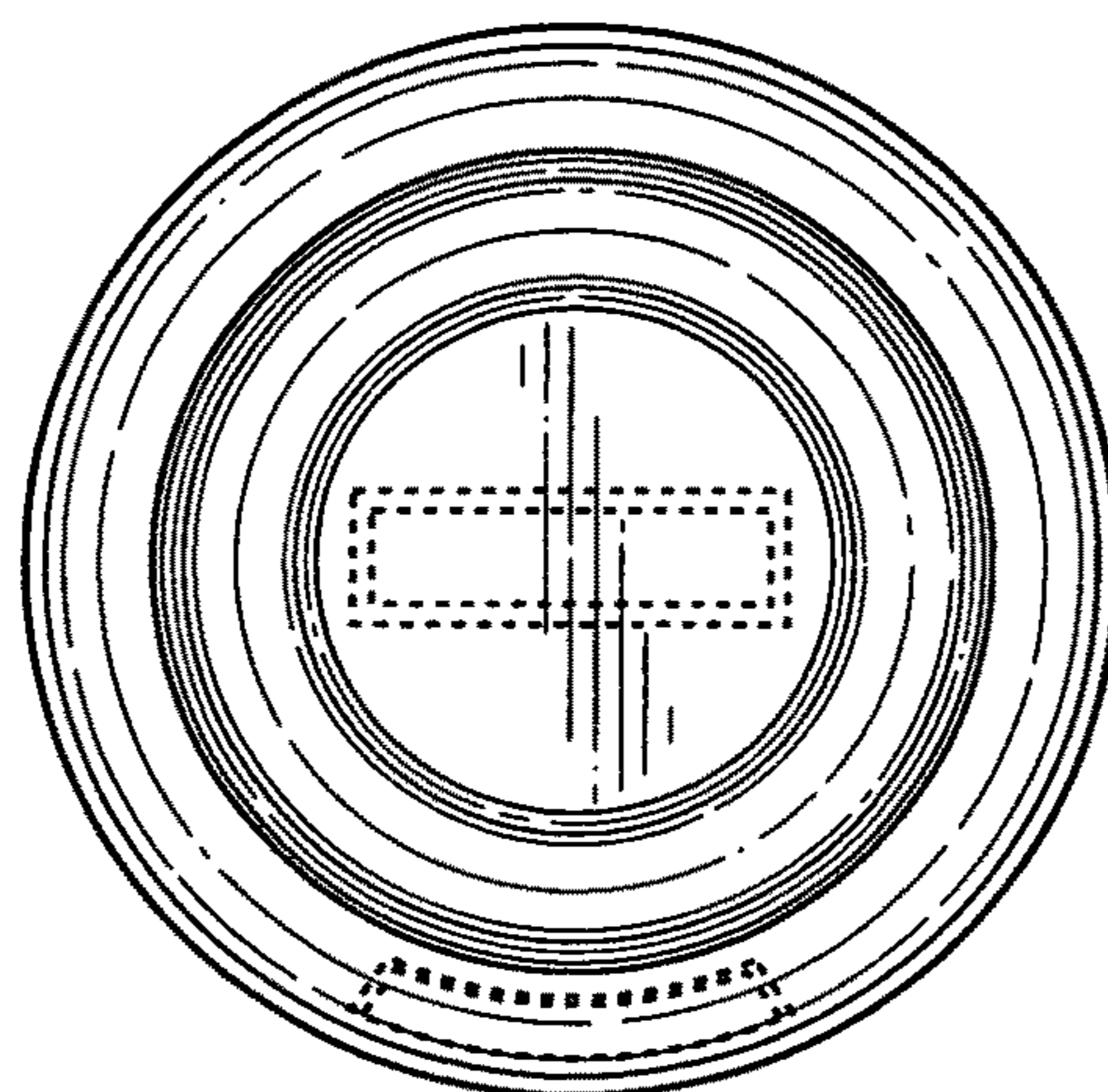


FIG. 6

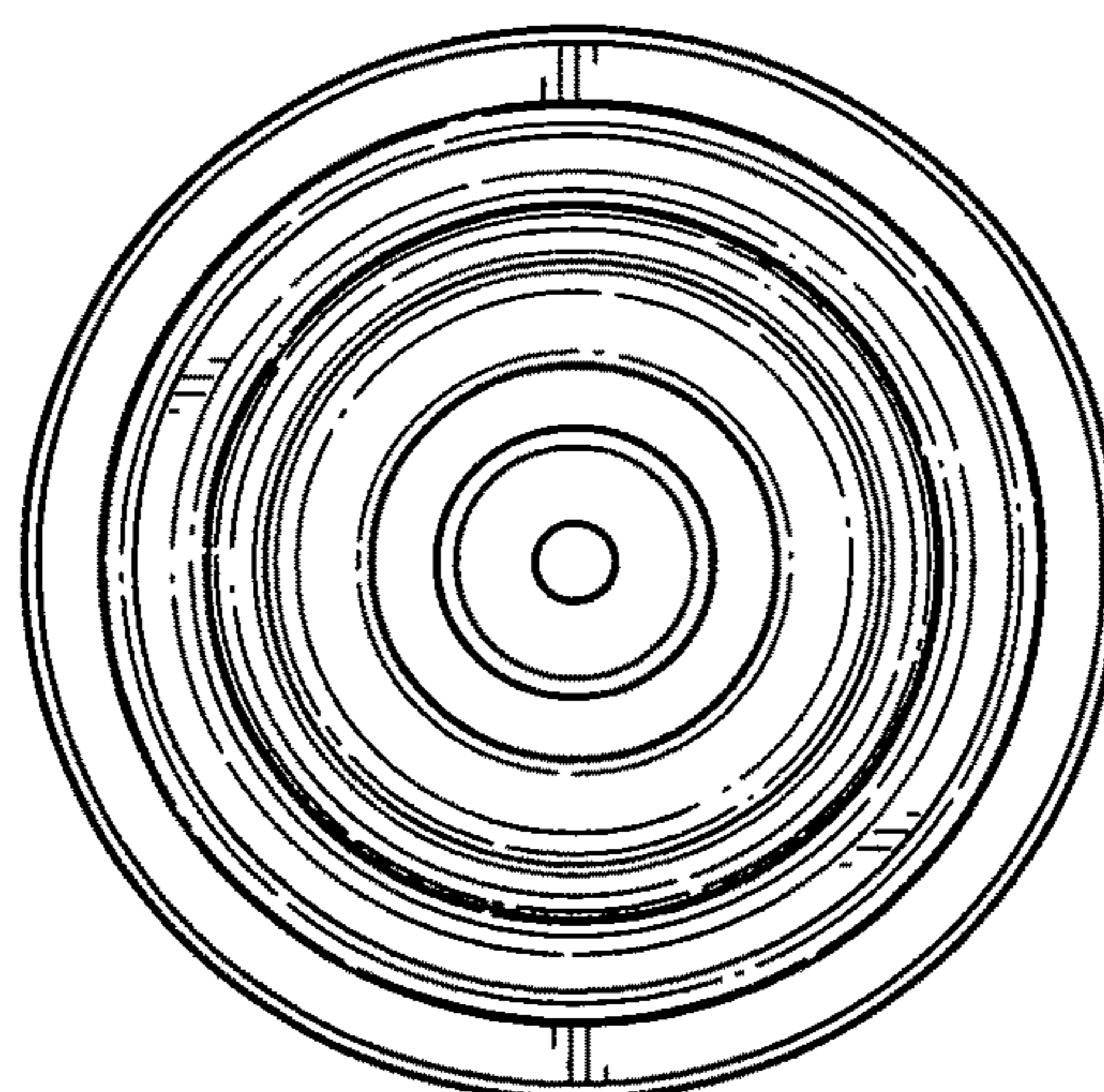


FIG. 7

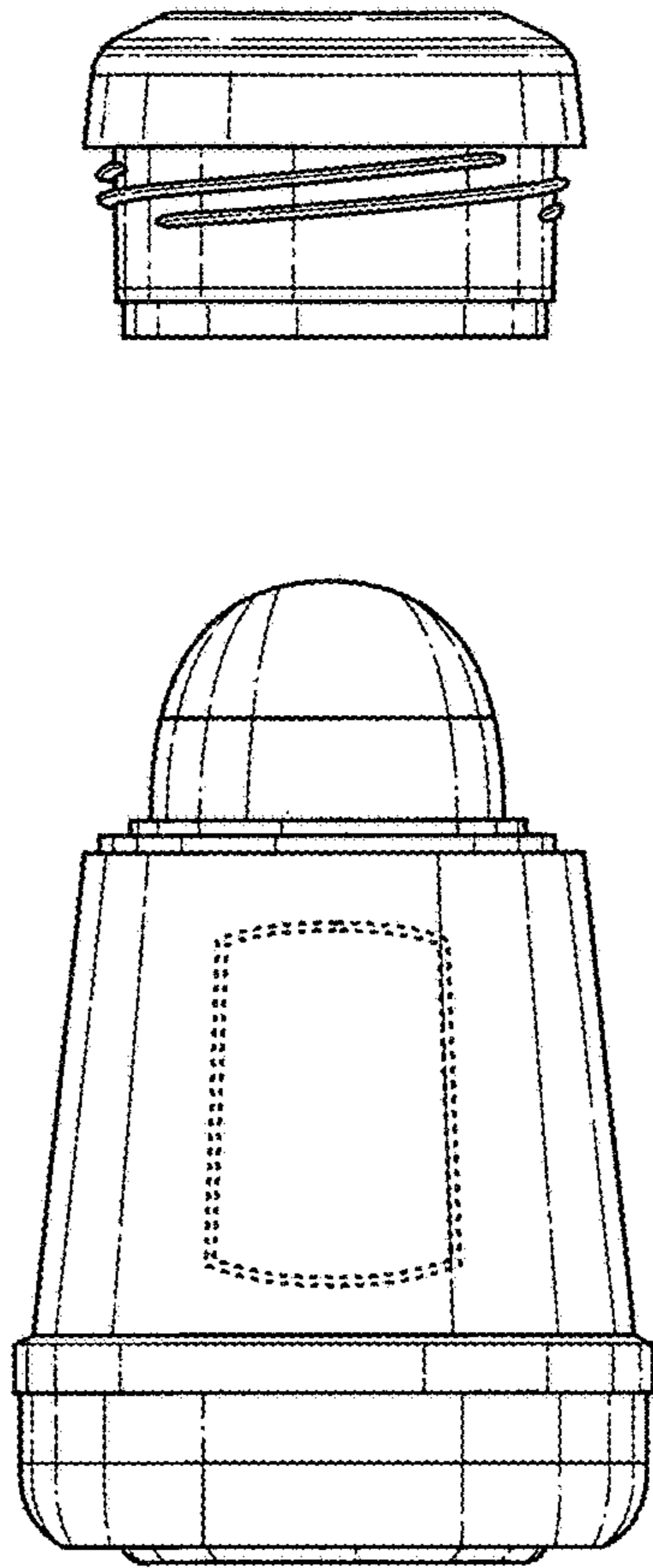


FIG. 8