



US00D787739S

(12) **United States Design Patent** (10) **Patent No.:** **US D787,739 S**
Gittin, Jr. (45) **Date of Patent:** **** May 23, 2017**

(54) **PAIR OF CUSTOM GRILLE LIGHTS FOR AN AUTOMOBILE**

(71) Applicant: **Vaughn Gittin, Jr.**, Huntersville, NC (US)

(72) Inventor: **Vaughn Gittin, Jr.**, Huntersville, NC (US)

(**) Term: **15 Years**

(21) Appl. No.: **29/545,012**

(22) Filed: **Nov. 9, 2015**

(51) **LOC (10) Cl.** **26-99**

(52) **U.S. Cl.**
USPC **D26/139**

(58) **Field of Classification Search**
USPC D26/28-36; 362/459-468, 475-478, 362/485-487
CPC F21S 48/00; F21S 48/10; F21S 48/115; F21S 48/225; F21S 48/1266; F21S 48/1388; F21S 48/2268; F21V 21/04
See application file for complete search history.

(56) **References Cited**

U.S. PATENT DOCUMENTS

D485,936 S *	1/2004	Tsai	D26/139
D487,819 S *	3/2004	Tsai	D26/139
D494,706 S *	8/2004	Tsai	D26/139
D647,225 S *	10/2011	Conway	D26/2

* cited by examiner

Primary Examiner — Marcus Jackson
(74) *Attorney, Agent, or Firm* — Pitts & Lake, P.C.

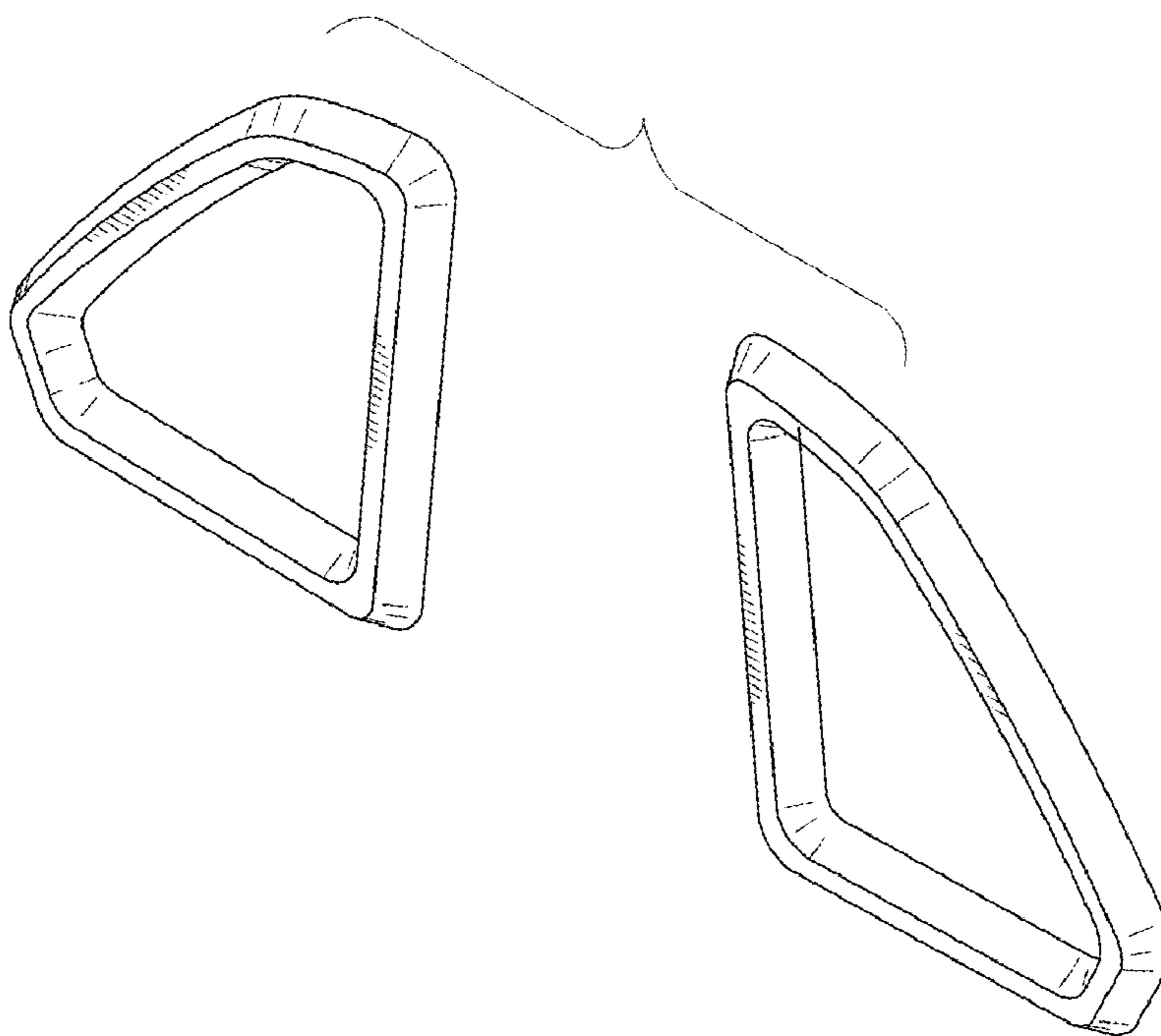
(57) **CLAIM**

The ornamental design for a pair of custom grille lights for an automobile, as shown and described.

DESCRIPTION

FIG. 1 is a perspective view of a pair of custom grille lights for an automobile shown in an automobile according to an embodiment of the present general inventive concept showing my new, original, and ornamental design;
FIG. 2 is a front elevational view of a pair of custom grille lights for an automobile;
FIG. 3 is a perspective view of a pair of custom grille lights for an automobile;
FIG. 4 is a front elevational view thereof;
FIG. 5 is a rear elevational view thereof;
FIG. 6 is a top elevational view thereof;
FIG. 7 is a bottom elevational view thereof;
FIG. 8 is a right elevational view thereof;
FIG. 9 is a left elevational view thereof;
FIG. 10 is a perspective view of another embodiment of a pair of custom grille lights for an automobile;
FIG. 11 is a front or back elevational view thereof;
FIG. 12 is a top elevational view thereof;
FIG. 13 is a bottom elevational view thereof; and,
FIG. 14 is a left or right elevational view thereof.
The broken line showing in the figures is included for the purpose of illustrating and forms no part of the claimed design.

1 Claim, 7 Drawing Sheets



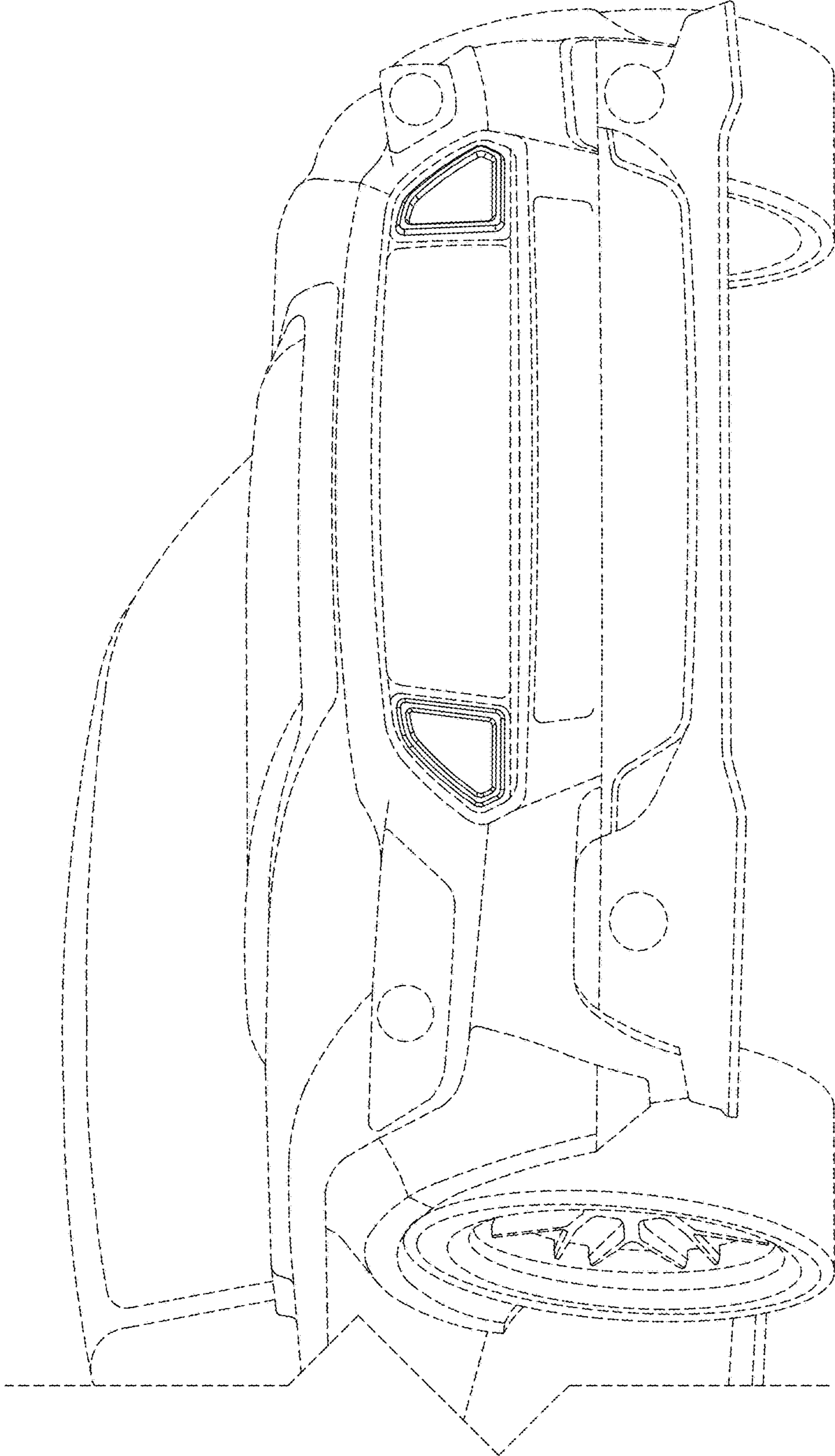


Fig. 1

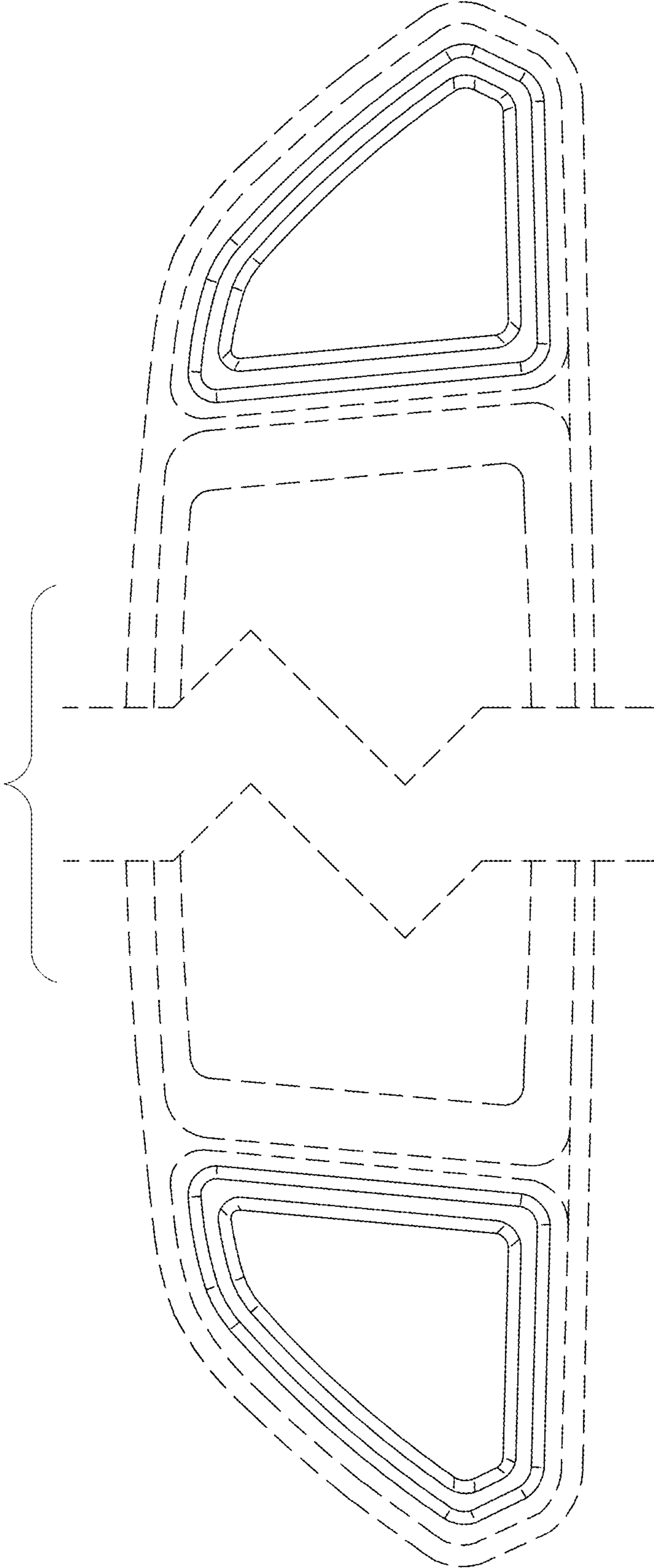


Fig. 2

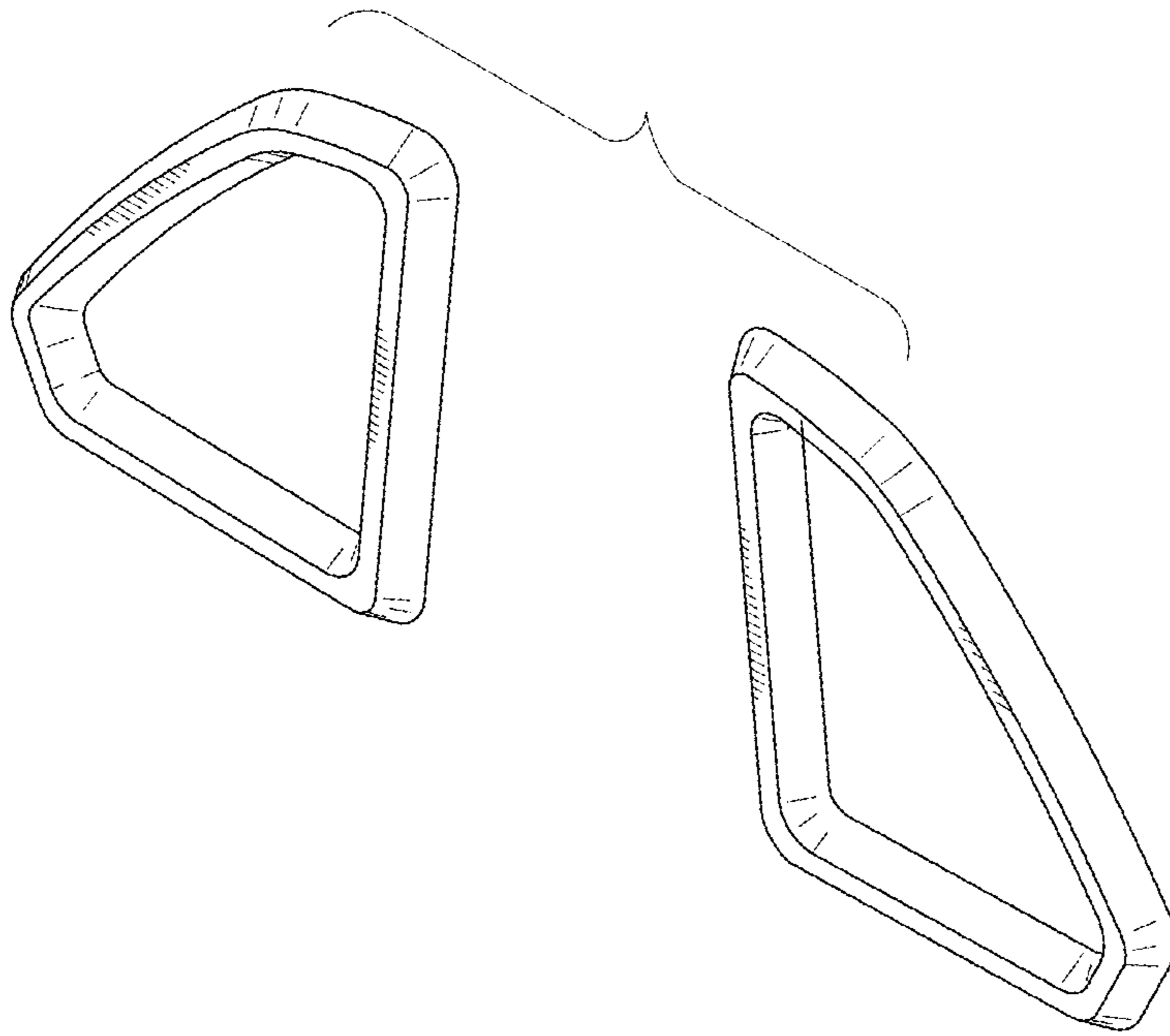


Fig. 3

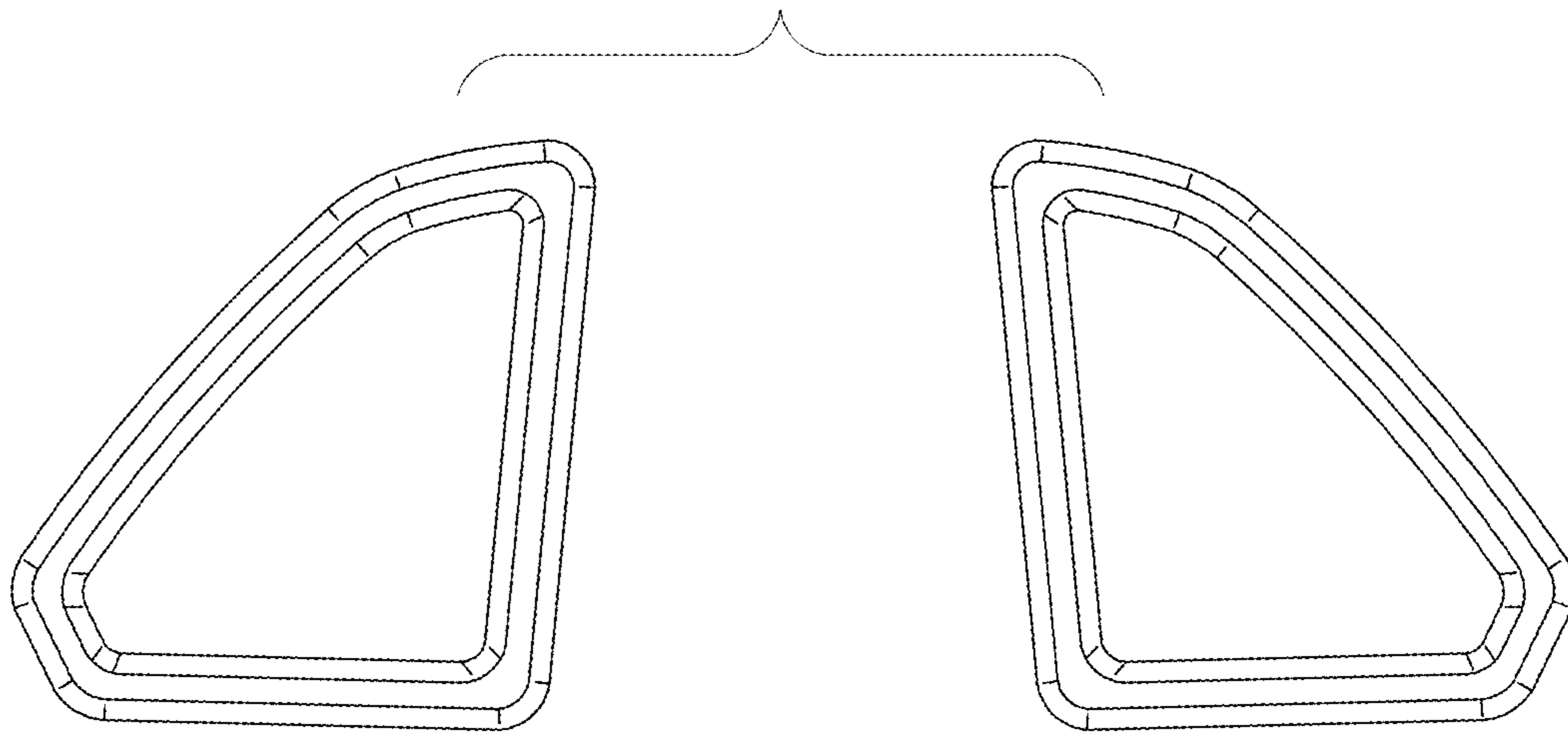


Fig. 4

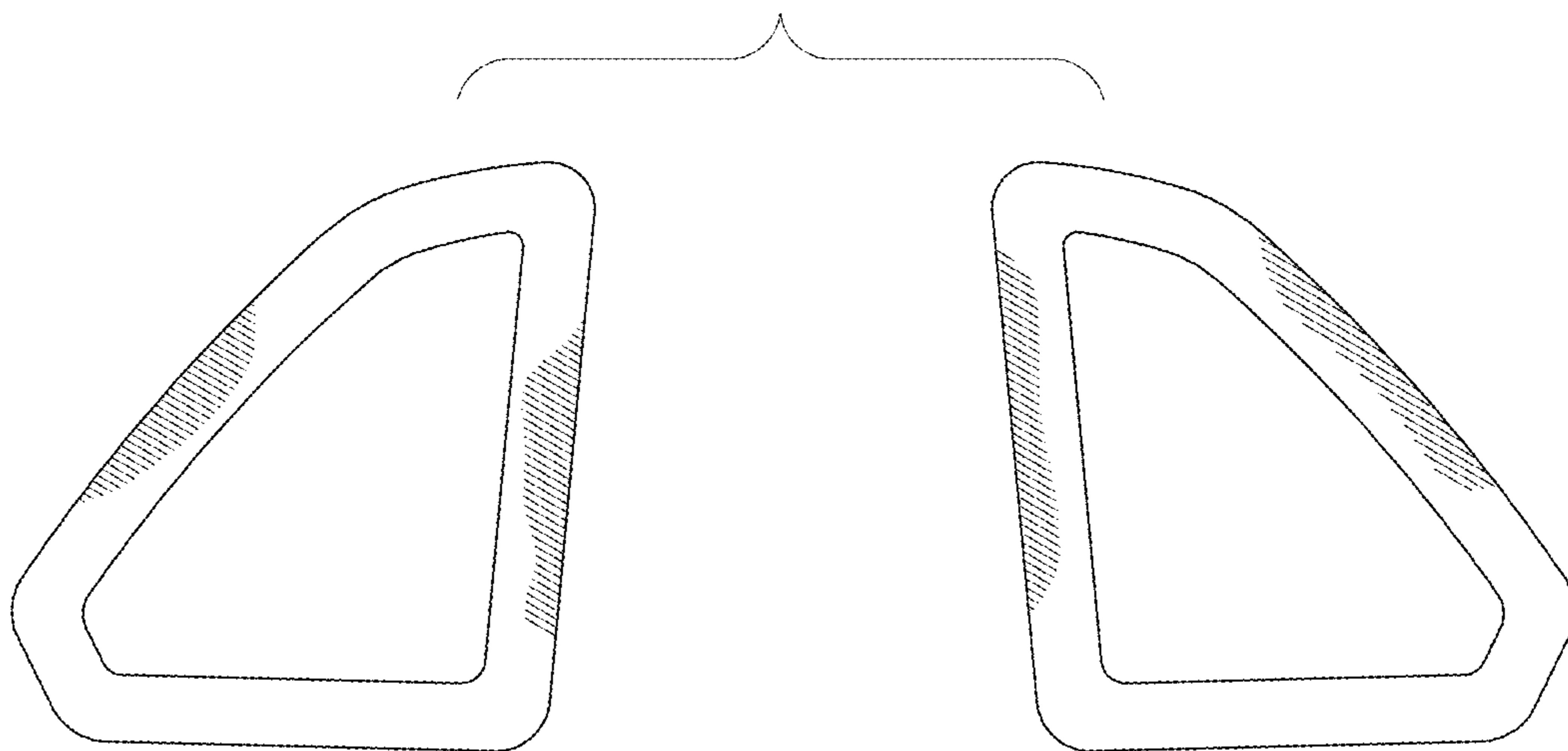


Fig. 5

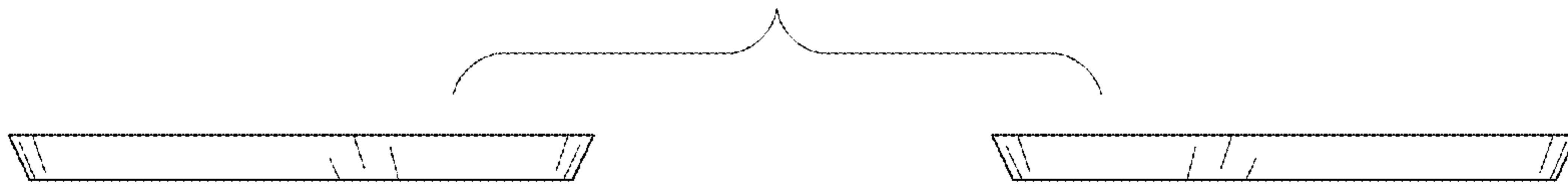


Fig.6

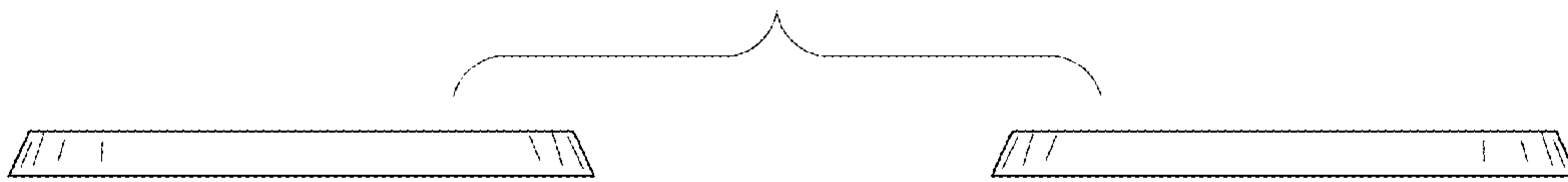


Fig.7



Fig.8

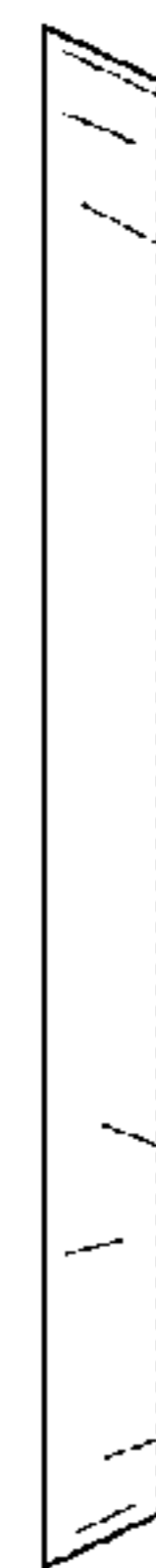


Fig.9

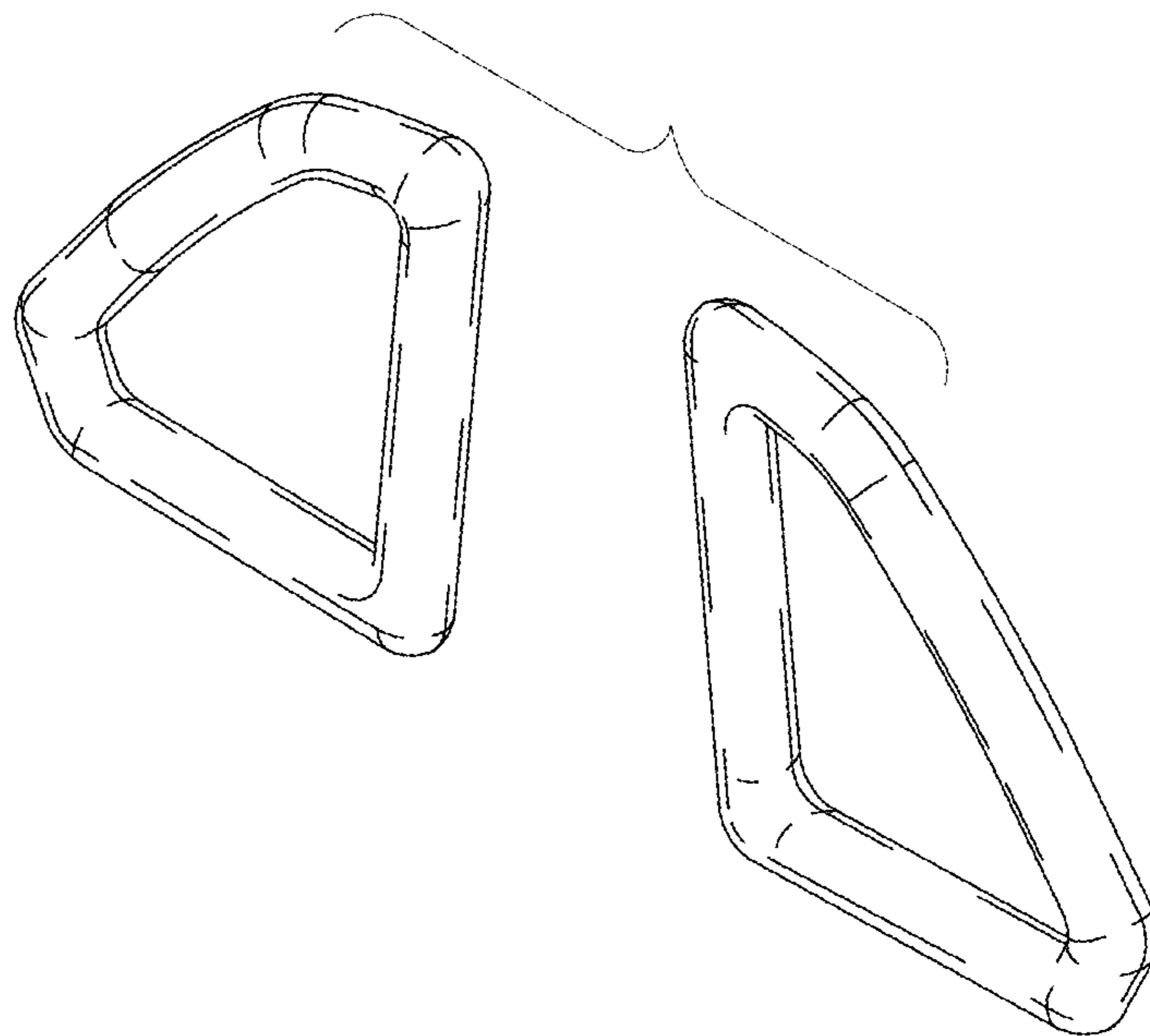


Fig.10

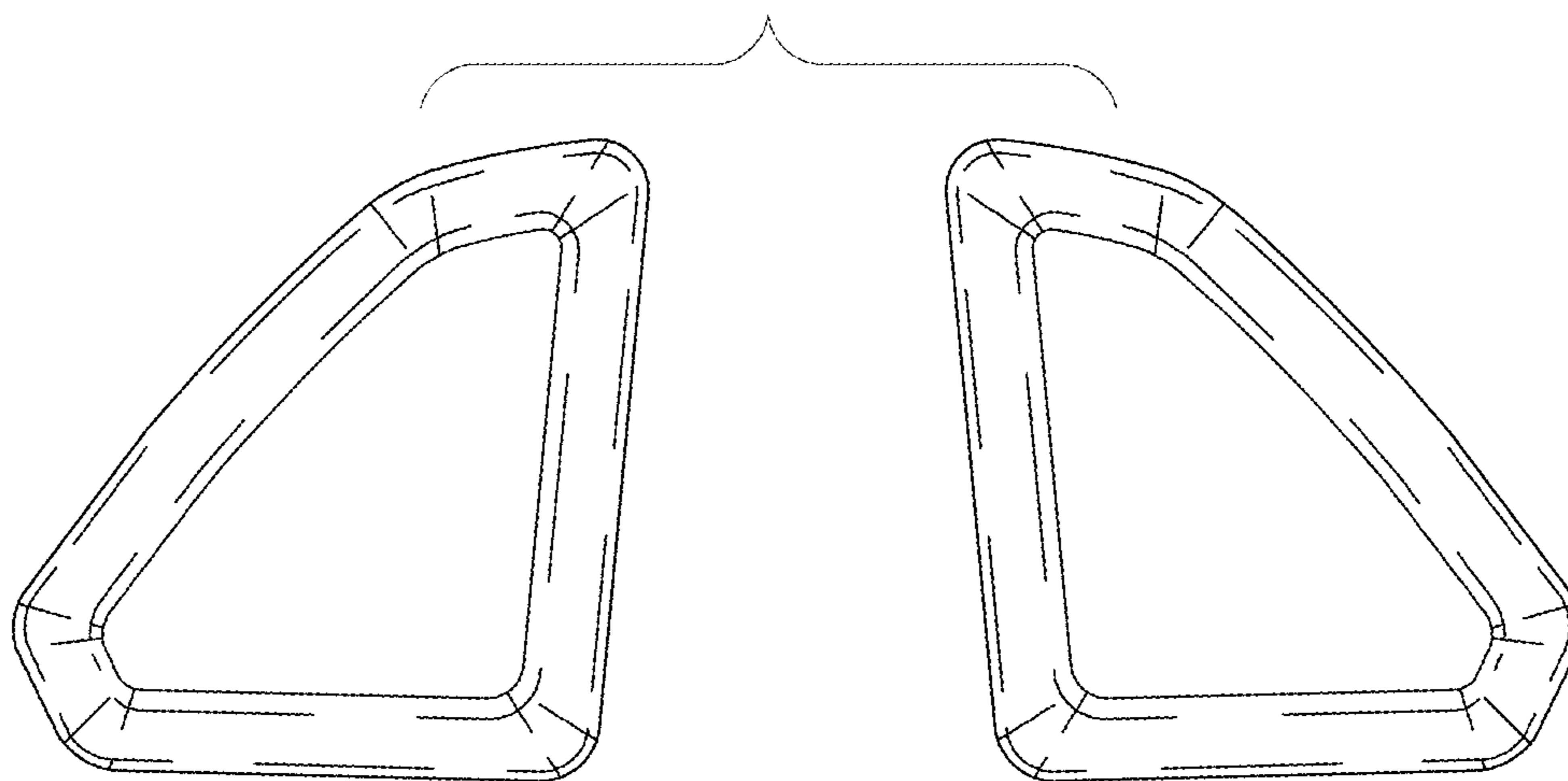


Fig.11

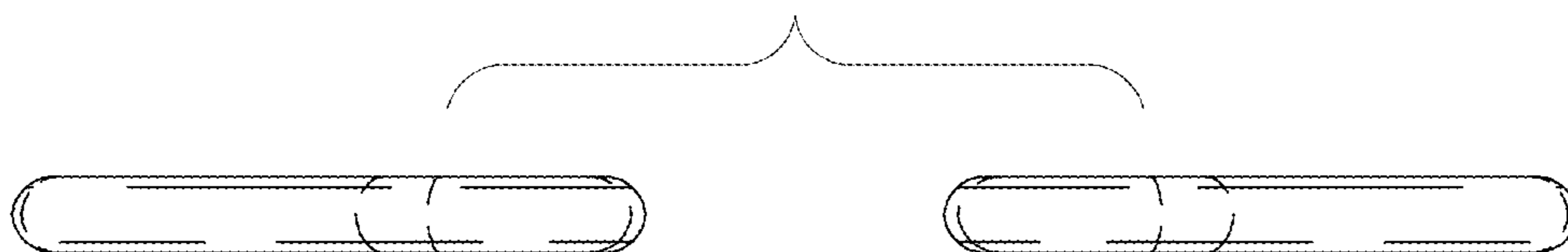


Fig. 12

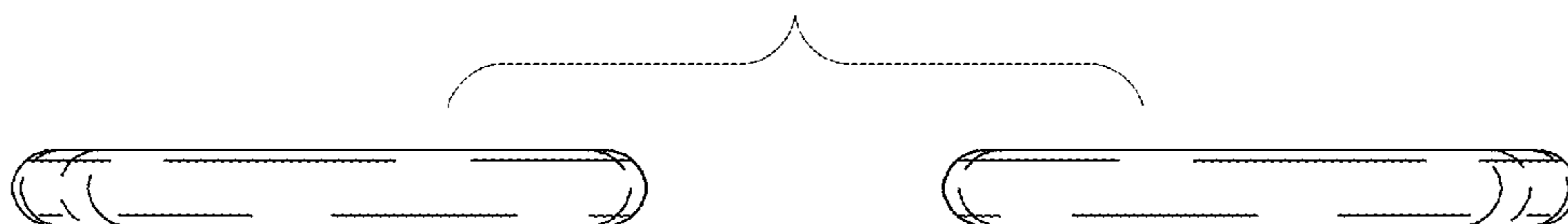


Fig. 13



Fig. 14