



US00D787738S

(12) **United States Design Patent** (10) **Patent No.:** **US D787,738 S**  
**Sonneman** (45) **Date of Patent:** **\*\* May 23, 2017**

(54) **PENDANT FOR A LIGHT FIXTURE**

(71) Applicant: **Robert A. Sonneman**, Mamaroneck, NY (US)

(72) Inventor: **Robert A. Sonneman**, Mamaroneck, NY (US)

(\*\*) Term: **15 Years**

(21) Appl. No.: **29/588,538**

(22) Filed: **Dec. 21, 2016**

(51) **LOC (10) Cl.** ..... **26-99**

(52) **U.S. Cl.**  
USPC ..... **D26/138**

(58) **Field of Classification Search**

USPC ..... D26/76, 78, 79, 80, 81, 82, 83, 85, 86, D26/88, 90, 113, 118, 119, 120, 121, 122, D26/138, 139, 140, 141, 142

CPC ..... F21S 2/00; F21S 4/00; F21S 4/003; F21S 4/005; F21S 4/006; F21S 4/007; F21S 4/008; F21S 6/00; F21S 8/00; F21S 8/024; F21S 8/026; F21S 8/031; F21S 8/033; F21S 8/035-8/037; F21S 8/04; F21S 8/043; F21S 8/063

See application file for complete search history.

(56) **References Cited**

U.S. PATENT DOCUMENTS

D427,335 S \* 6/2000 Noll ..... D26/2  
6,715,900 B2 \* 4/2004 Zhang ..... F21S 48/328  
362/223  
6,880,956 B2 \* 4/2005 Zhang ..... F21K 9/00  
362/264

D593,247 S \* 5/2009 Maxik ..... D26/113  
D595,893 S \* 7/2009 Maxik ..... D26/113  
D625,455 S \* 10/2010 Sonneman ..... D26/85  
D625,456 S \* 10/2010 Sonneman ..... D26/85  
D646,016 S \* 9/2011 Choi ..... D26/138  
D663,464 S \* 7/2012 Lee ..... D26/72  
D666,750 S \* 9/2012 Maxik ..... D26/2  
D729,429 S \* 5/2015 Arndt ..... D26/131  
D750,317 S \* 2/2016 Lui ..... D26/138  
D769,516 S \* 10/2016 Kovalchick ..... D26/138  
D774,680 S \* 12/2016 Vidmar ..... D26/84

\* cited by examiner

*Primary Examiner* — George D Kirschbaum

*Assistant Examiner* — Natasha Vujcic

(74) *Attorney, Agent, or Firm* — Gottlieb, Rackman & Reisman, P.C.

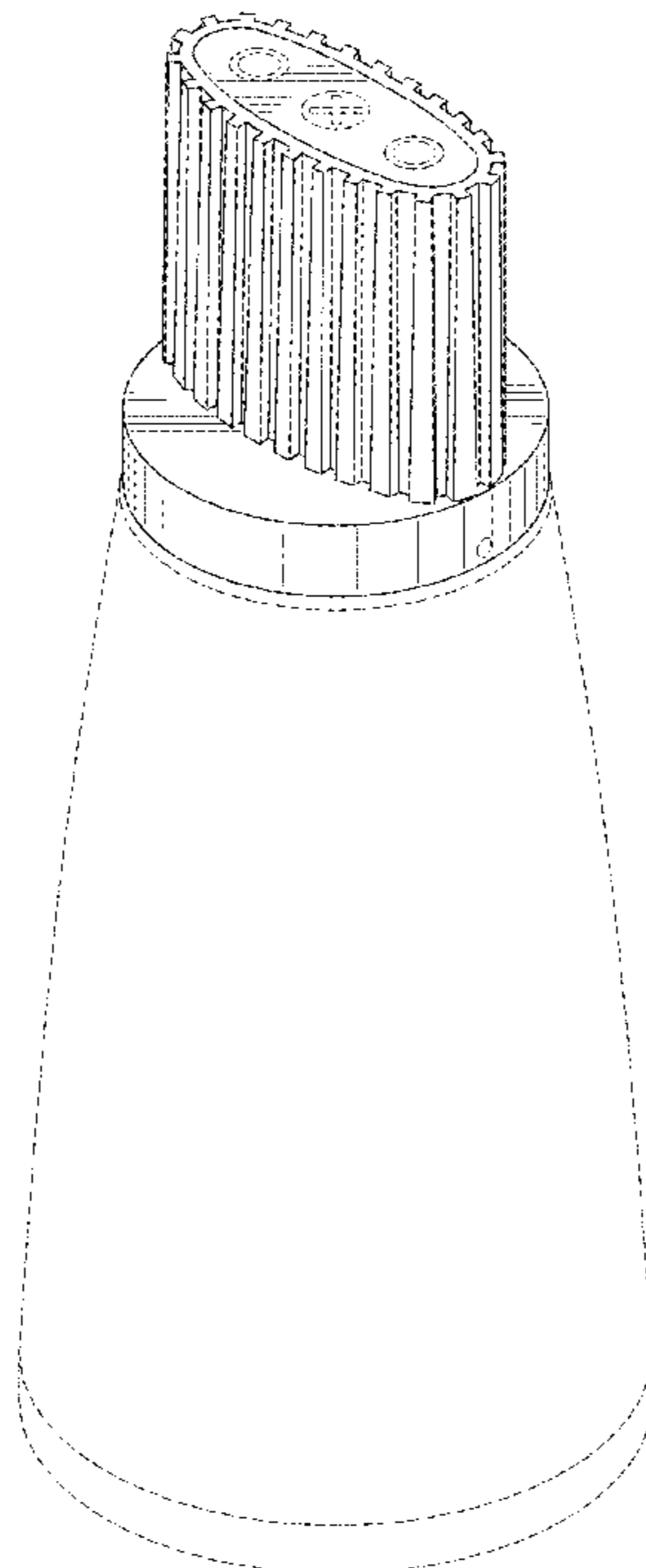
(57) **CLAIM**

The ornamental design for a pendant for a light fixture, as shown and described.

**DESCRIPTION**

FIG. 1 is a perspective view of the pendant for a light fixture showing my new design;  
FIG. 2 is a top plan view thereof;  
FIG. 3 is a bottom plan view thereof;  
FIG. 4 is front elevational view thereof, the rear elevational view being a mirror image; and,  
FIG. 5 is a right side elevational view thereof, the left side elevational view being a mirror image.  
The broken lines shown in the drawings are included for the purpose of illustrating portions of the article that form no part of the claimed design.

**1 Claim, 4 Drawing Sheets**



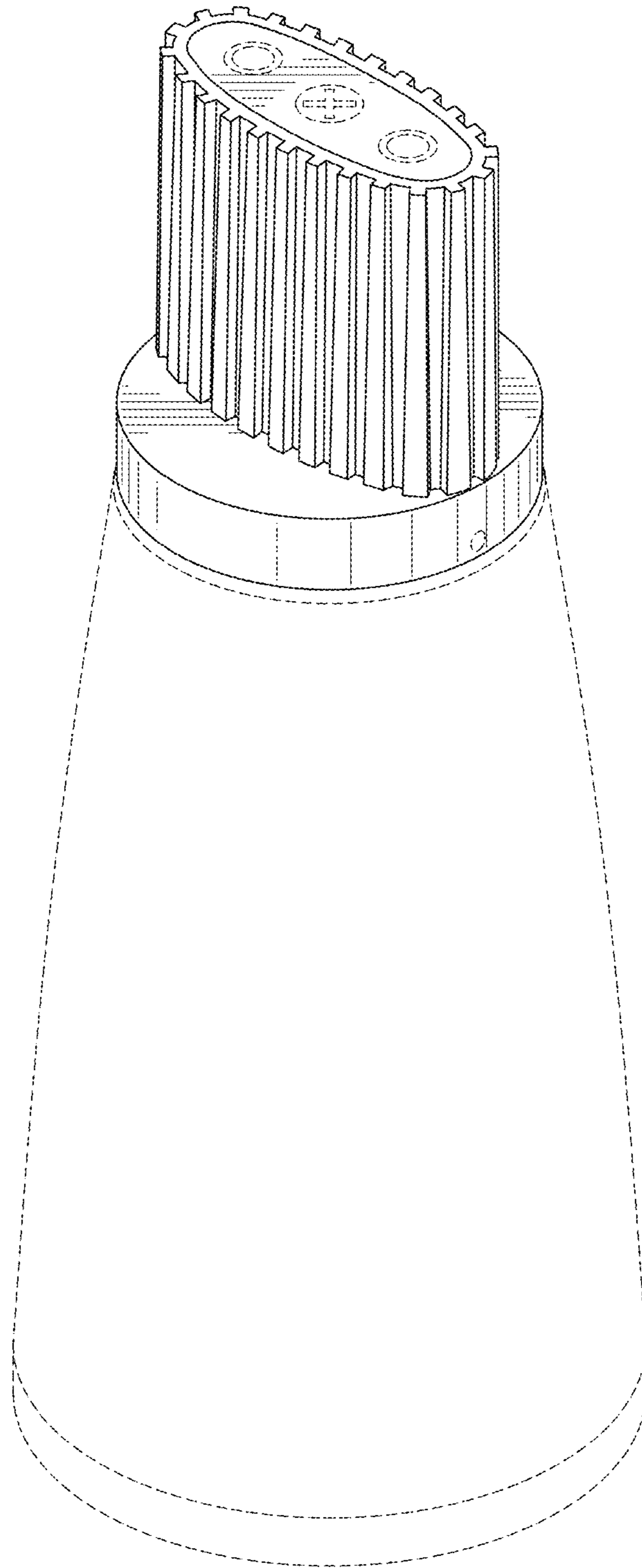


FIG. 1

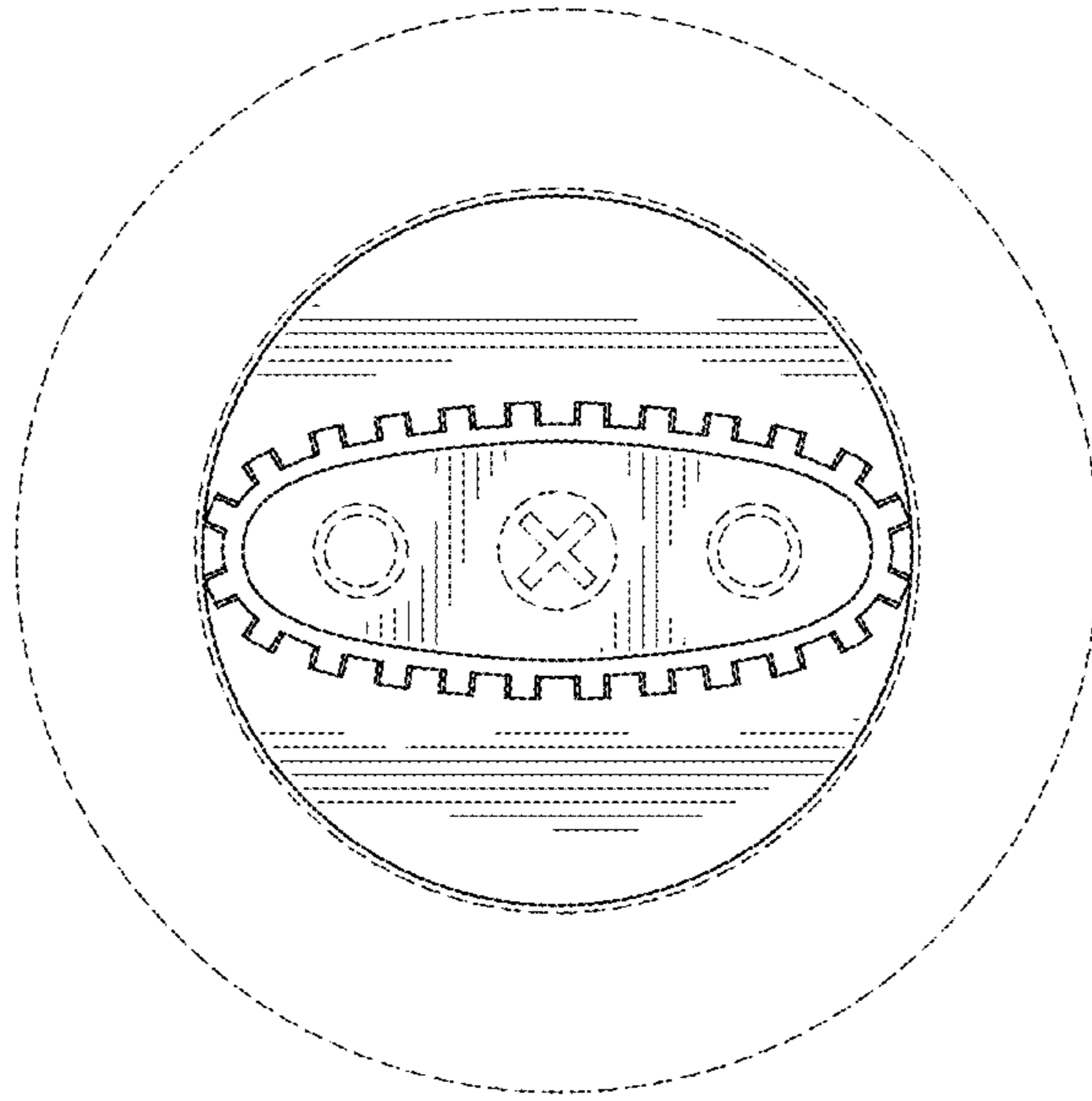


FIG. 2

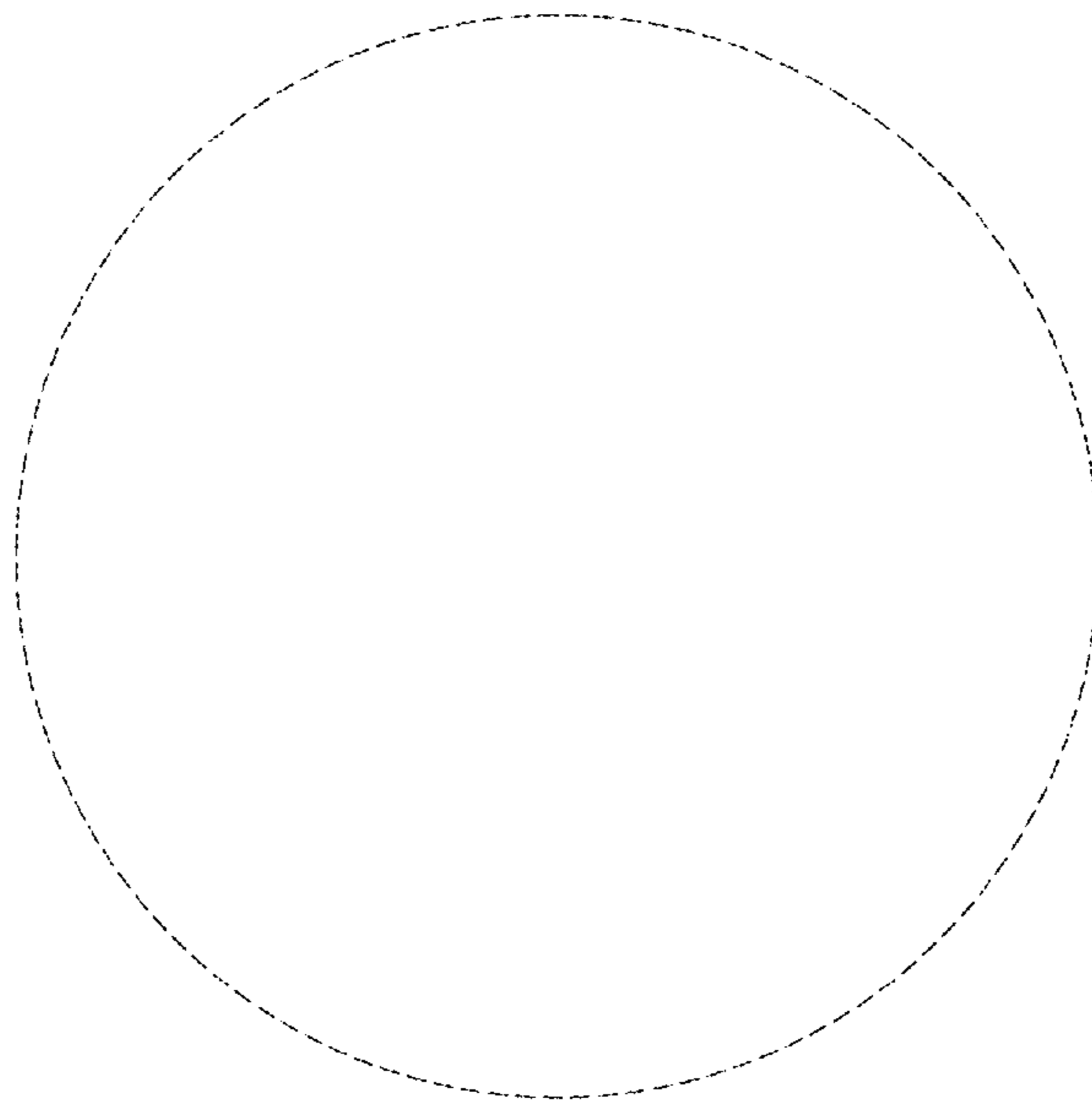


FIG. 3

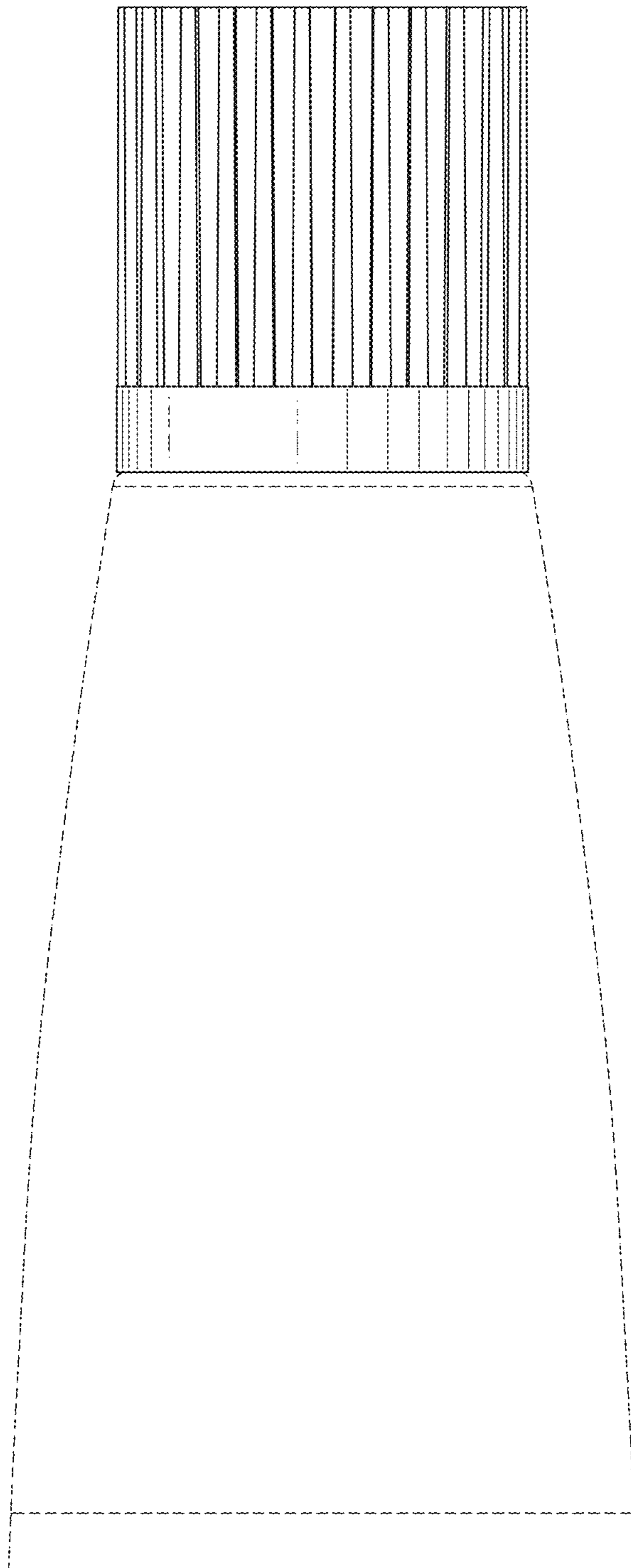


FIG.4

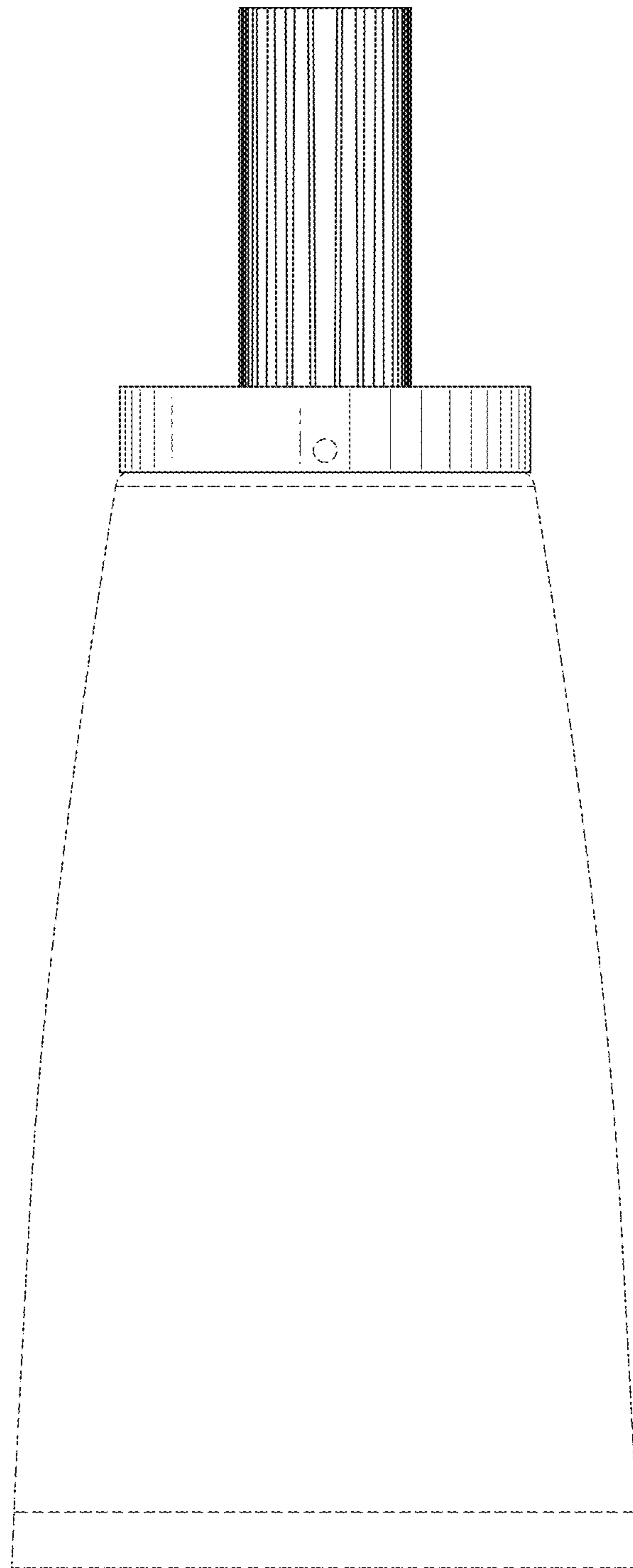


FIG. 5