



US00D787737S

(12) **United States Design Patent**
Khanampornpan

(10) **Patent No.:** **US D787,737 S**

(45) **Date of Patent:** **** May 23, 2017**

- (54) **LAMP HOLDER**
- (71) Applicant: **Viroj Khanampornpan**, Bangkok (TH)
- (72) Inventor: **Viroj Khanampornpan**, Bangkok (TH)
- (73) Assignee: **Viroj Khanampornpan**, Bangkok (TH)
- (**) Term: **15 Years**
- (21) Appl. No.: **29/527,878**
- (22) Filed: **May 22, 2015**
- (51) **LOC (10) Cl.** **26-99**
- (52) **U.S. Cl.**
USPC **D26/138**
- (58) **Field of Classification Search**
USPC D13/133, 134, 135, 149, 154, 173, 180;
D26/2, 24, 25, 37, 40, 60, 61, 63, 73, 81,
D26/93, 110, 113, 118-124, 128, 138,
D26/140, 141, 142
CPC H01R 33/02; H01R 33/05; H01R 33/08;
H01R 33/0827; H01R 33/0836; H01R
33/20; H01R 4/4818; H01K 3/00; H01K
1/40; H01K 5/02
See application file for complete search history.

- 2,814,788 A * 11/1957 Godfrey H01R 33/0836
439/243
- 3,005,175 A * 10/1961 Pistey H01R 33/0827
439/242
- 3,351,884 A * 11/1967 Pistey H01R 33/08
439/244
- 3,466,594 A * 9/1969 Detch F21V 19/008
439/233
- 4,084,873 A * 4/1978 Grate H01R 33/08
439/226
- D406,814 S * 3/1999 Henrici D13/134
- 6,290,522 B1 * 9/2001 Campolo H01R 33/0854
439/241
- 6,641,419 B1 * 11/2003 Richardson F21V 19/008
439/230
- D491,890 S * 6/2004 Henrici D13/134
(Continued)

Primary Examiner — Garth Rademaker
Assistant Examiner — Richard Kearney
 (74) *Attorney, Agent, or Firm* — Kim Winston LLP

(57) **CLAIM**

The ornamental design for a lamp holder, as shown and described.

DESCRIPTION

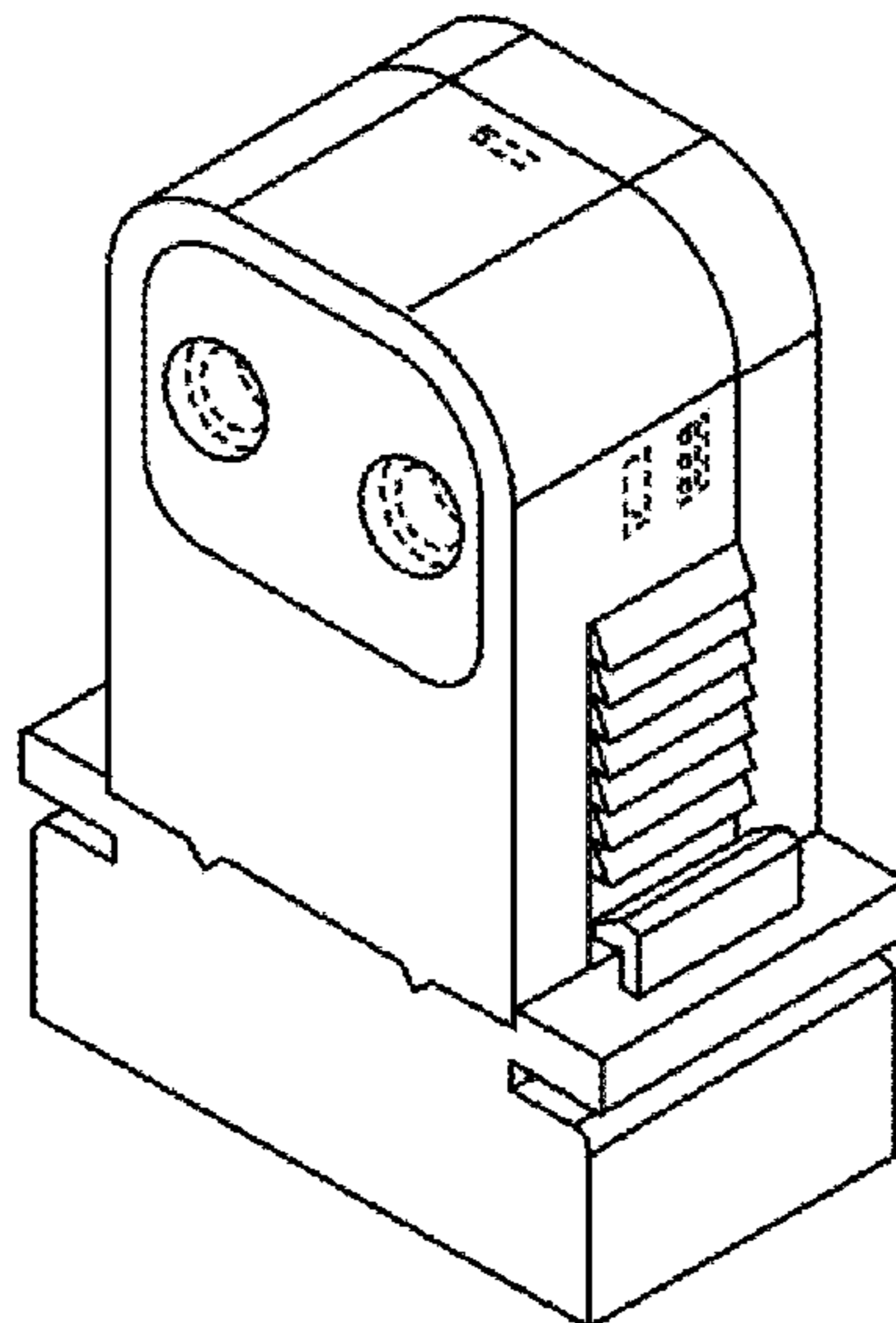
FIG. 1 is an exploded front side view of a lamp holder in accordance with the new design;
 FIG. 2 is a top plan view of the lamp holder of FIG. 1;
 FIG. 3 is a back side view of the lamp holder of FIG. 1;
 FIG. 4 is a right side view of the lamp holder of FIG. 1;
 FIG. 5 is a front side view of the lamp holder of FIG. 1;
 FIG. 6 is a left side view of the lamp holder of FIG. 1;
 FIG. 7 is a perspective view of the lamp holder of FIG. 1; and,
 FIG. 8 is a bottom plan view of the lamp holder of FIG. 1.
 The broken lines in FIGS. 1-3 and 5-7 illustrate portions of the lamp holder which form no part of the claimed design.

1 Claim, 1 Drawing Sheet

(56) **References Cited**

U.S. PATENT DOCUMENTS

- 2,247,117 A * 6/1941 De Reamer H01R 33/08
362/217.08
- 2,412,826 A * 12/1946 Mills H01R 33/02
200/51.09
- 2,415,496 A * 2/1947 Ingwersen H01R 33/02
200/51 R
- 2,441,929 A * 5/1948 Burt H01R 33/08
439/241
- 2,604,505 A * 7/1952 De Reamer H01R 33/02
439/244
- 2,769,152 A * 10/1956 Fortin H01R 33/0836
439/241



(56)

References Cited

U.S. PATENT DOCUMENTS

D550,884 S * 9/2007 Tufano D26/75
7,597,575 B2 * 10/2009 Tufano H01R 4/4818
439/239
7,862,357 B2 * 1/2011 Tufano H01R 4/4818
439/239
8,038,458 B2 * 10/2011 Tufano H01R 4/4818
439/239
D647,850 S * 11/2011 Osada D13/134
D647,851 S * 11/2011 Osada D13/134
8,308,497 B2 * 11/2012 Zayas H01R 33/0854
439/236
8,333,602 B2 * 12/2012 Galluccio H01R 33/0836
439/241
2010/0081339 A1 * 4/2010 Galluccio H01R 33/08
439/699.2
2011/0003497 A1 * 1/2011 Pornpan H01R 33/08
439/226
2011/0317408 A1 * 12/2011 Chen F21V 19/0085
362/217.14

* cited by examiner

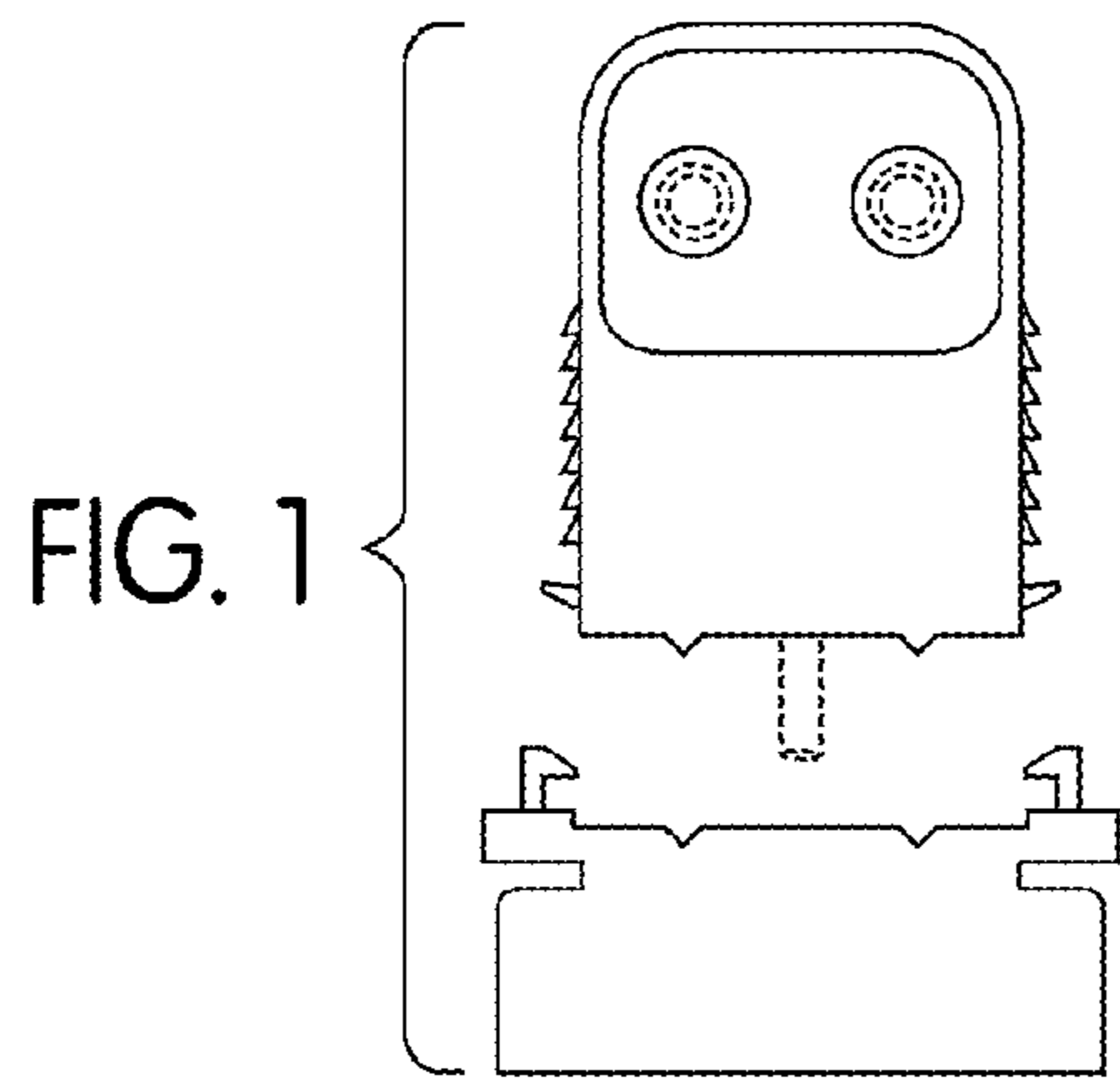


FIG. 1

FIG. 1

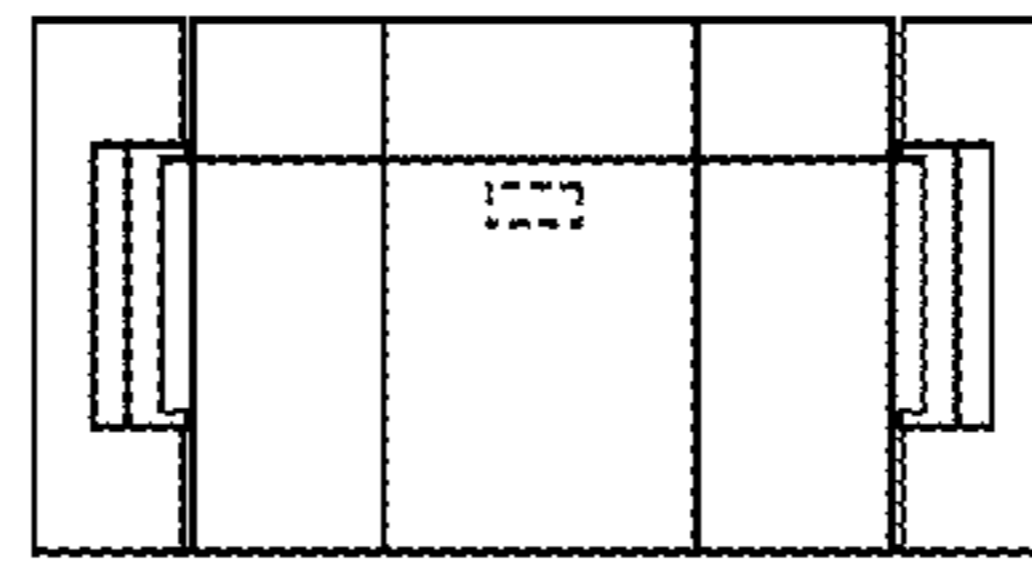


FIG. 2

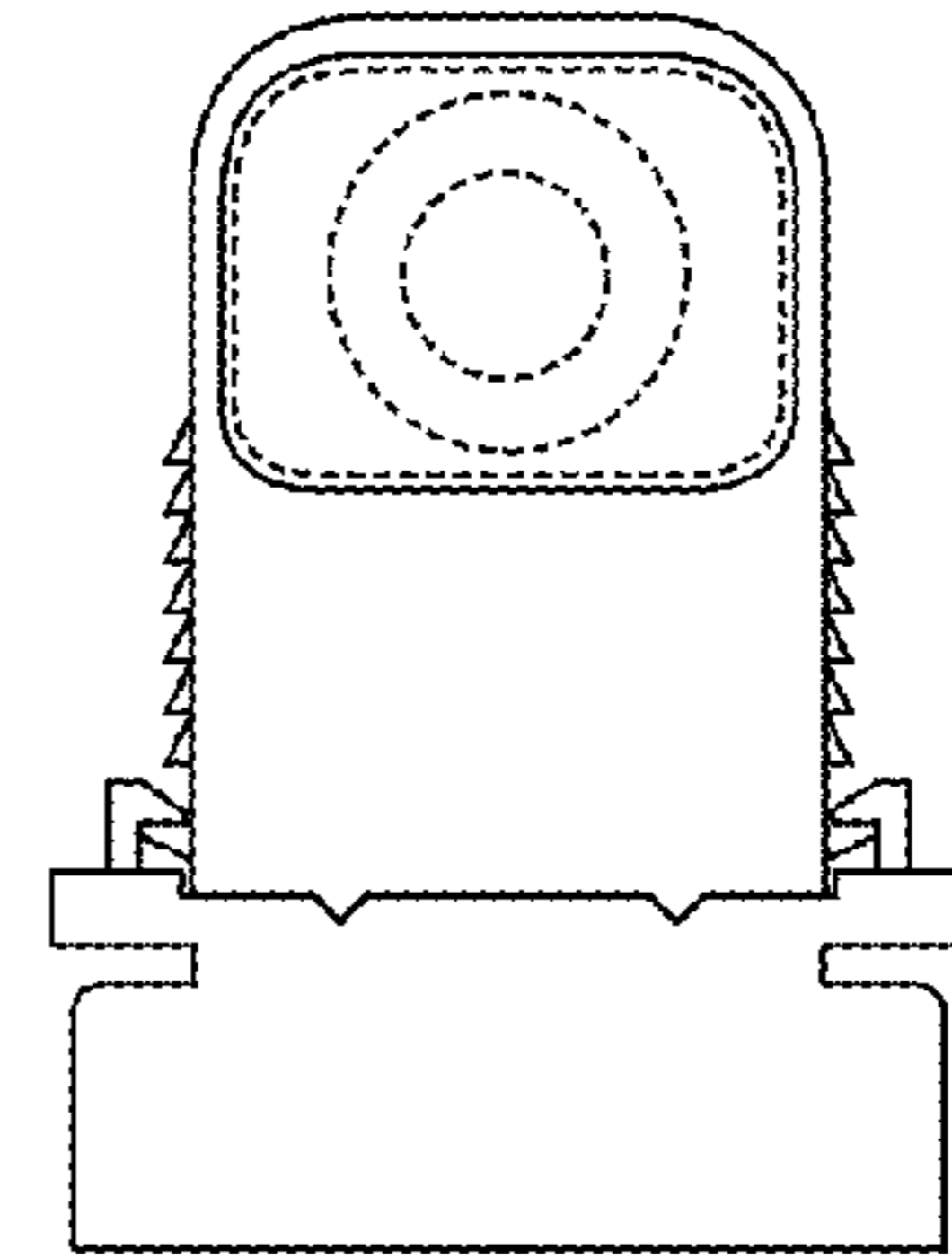


FIG. 3

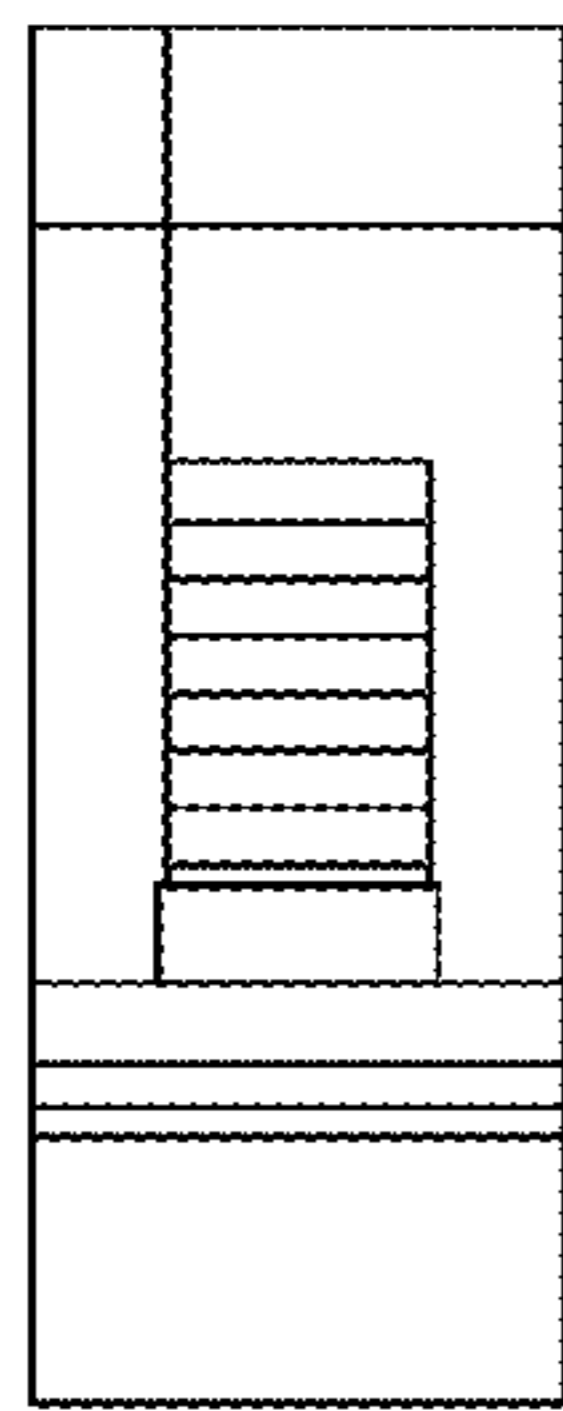


FIG. 4

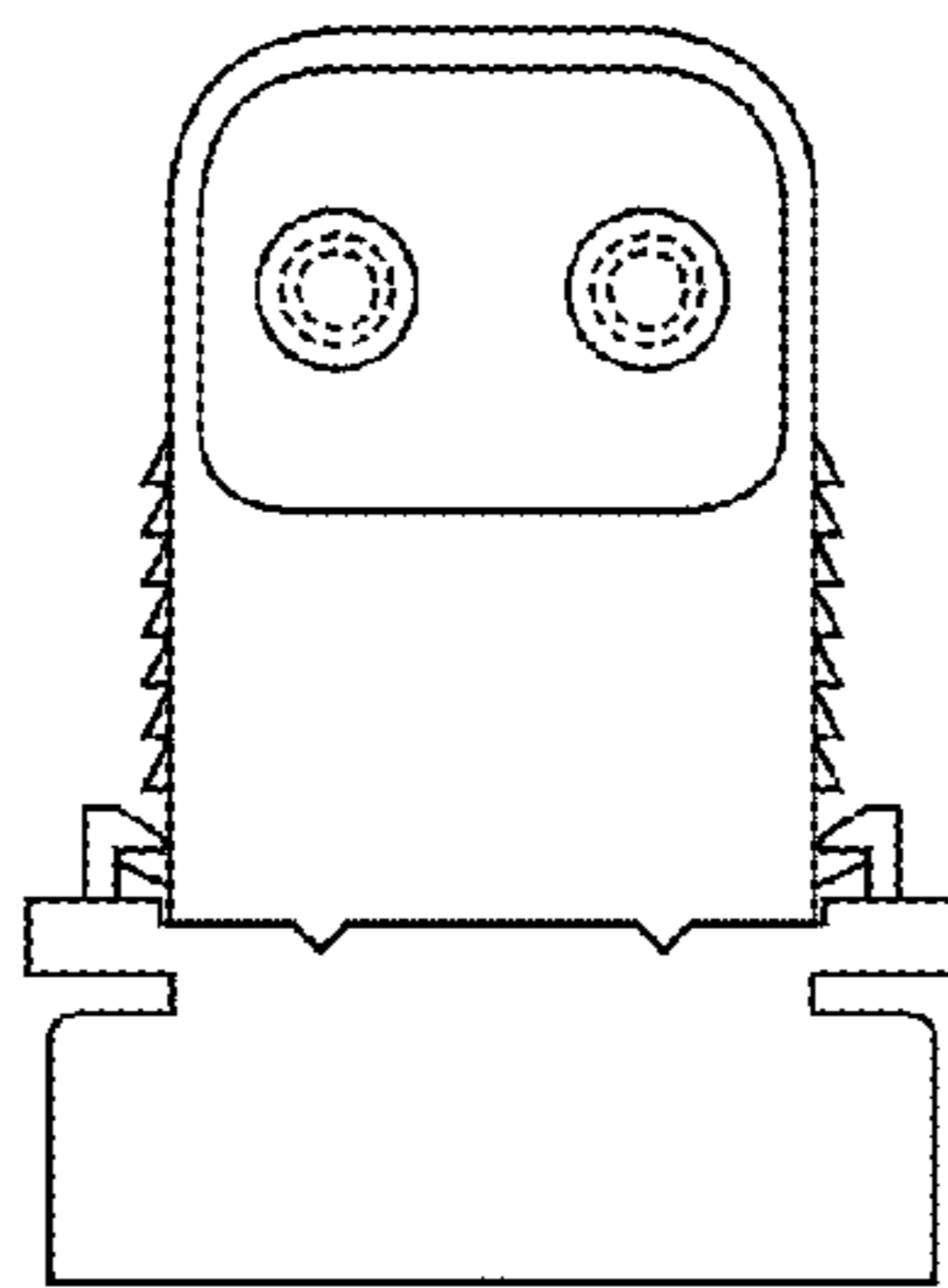


FIG. 5

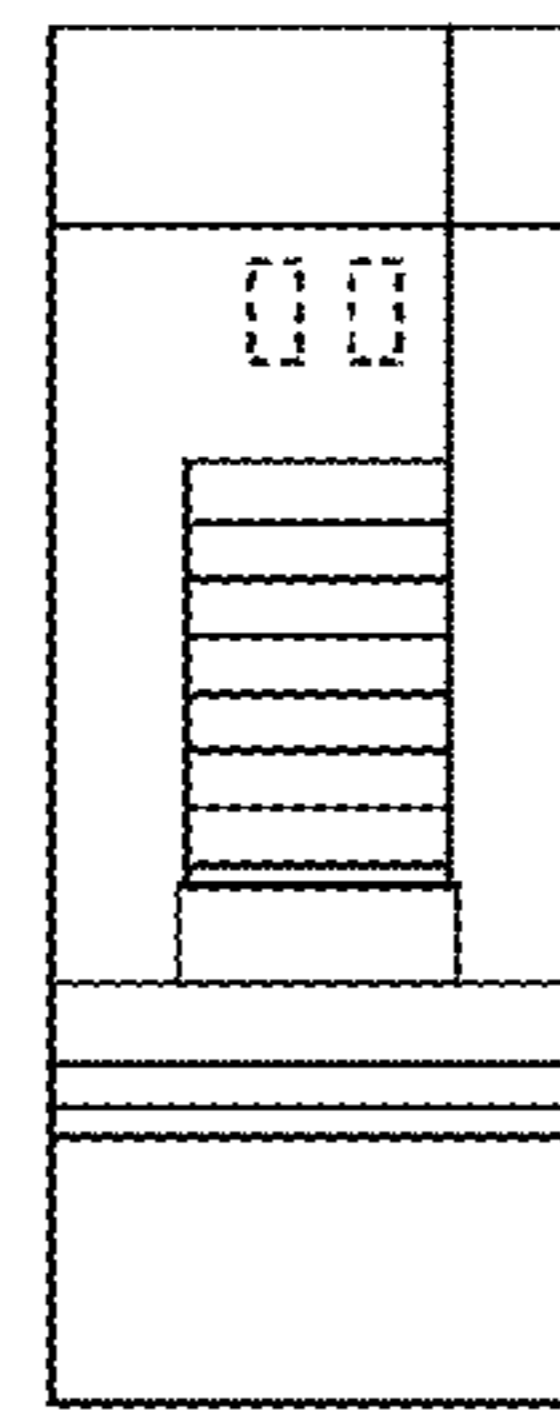


FIG. 6

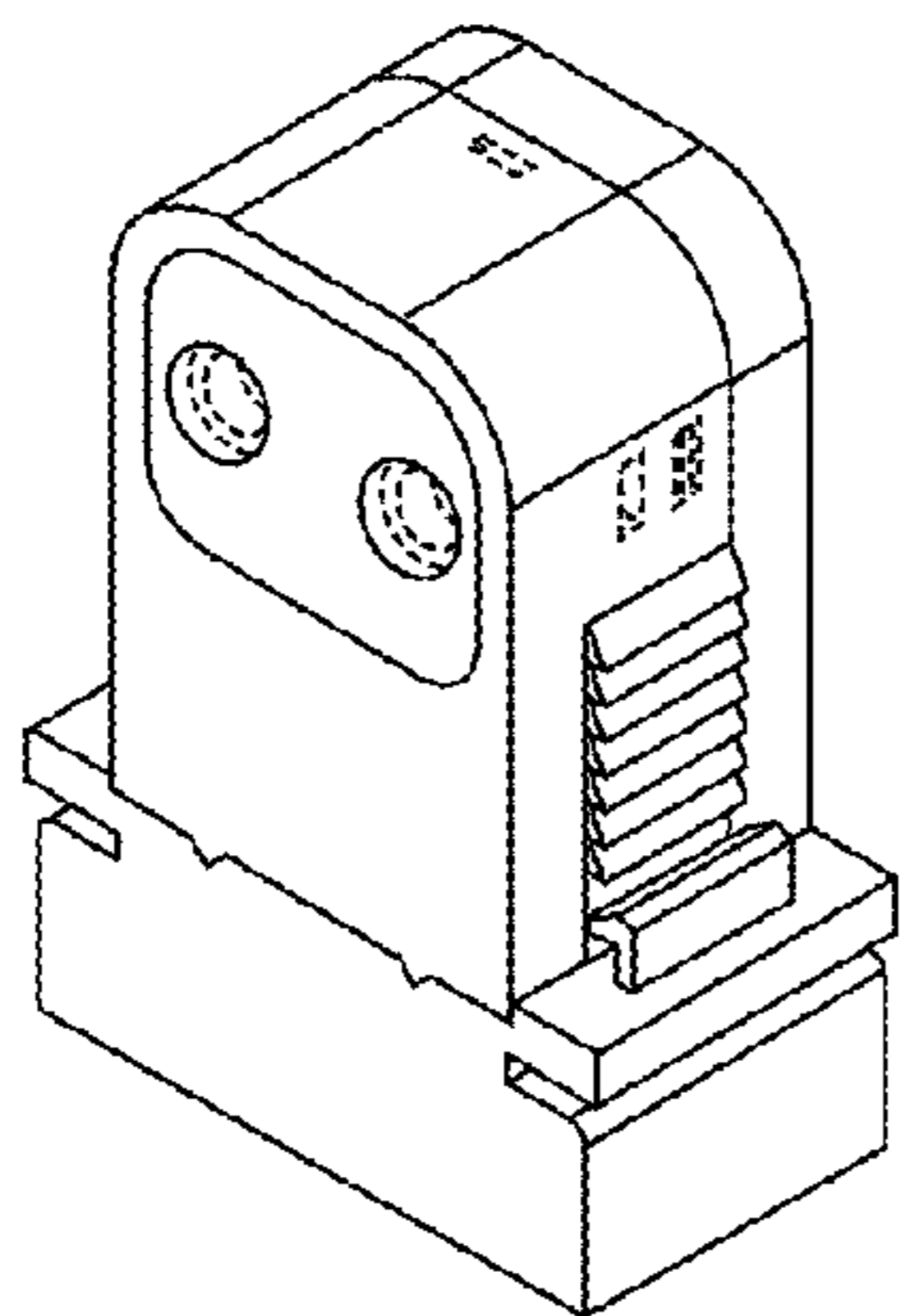


FIG. 7

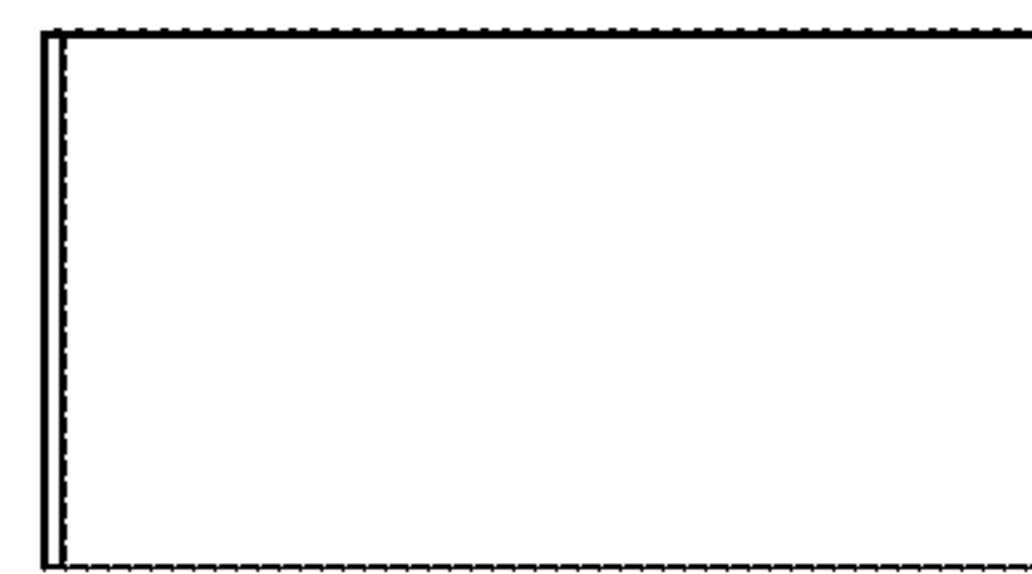


FIG. 8