



US00D787735S

(12) **United States Design Patent**  
**Edgar et al.**

(10) **Patent No.:** **US D787,735 S**

(45) **Date of Patent:** **\*\* May 23, 2017**

(54) **LIGHT ASSEMBLY**

(71) Applicant: **Gold Crest LLC**, Santa Barbara, CA (US)

(72) Inventors: **Roger Edgar**, Santa Barbara, CA (US);  
**Leonardus Josephus van Oord**, Voorschoten (NL)

(73) Assignee: **Gold Crest LLC**, Santa Barbara, CA (US)

(\*\*) Term: **15 Years**

(21) Appl. No.: **29/581,046**

(22) Filed: **Oct. 14, 2016**

**Related U.S. Application Data**

(62) Division of application No. 29/538,822, filed on Sep. 8, 2015, now Pat. No. Des. 769,512.

(51) **LOC (10) Cl.** ..... **26-03**

(52) **U.S. Cl.**  
USPC ..... **D26/107**

(58) **Field of Classification Search**  
USPC ..... D26/1, 24, 93, 104, 106, 107, 109, 110, D26/62  
CPC ..... F21S 6/00; F21S 6/043; F21S 8/08; F21V 21/00; F21V 21/02; F21W 2121/00; F21W 2131/30

See application file for complete search history.

(56) **References Cited**

U.S. PATENT DOCUMENTS

D328,361 S	*	7/1992	Paproski	.....	D26/106
D556,363 S	*	11/2007	Komar	.....	D26/106
D618,378 S	*	6/2010	Huang	.....	D26/93
D639,490 S	*	6/2011	Huang	.....	D26/93
D673,321 S	*	12/2012	Karkkainen	.....	D26/93
D681,865 S	*	5/2013	Lee	.....	D26/93
D759,290 S	*	6/2016	Hsu	.....	D26/107
D769,512 S	*	10/2016	Edgar	.....	D26/107

\* cited by examiner

*Primary Examiner* — Brian N Vinson

(74) *Attorney, Agent, or Firm* — Tsircou Law, P.C.

(57) **CLAIM**

We claim the ornamental design for a light assembly, as shown and described.

**DESCRIPTION**

FIG. 1 a front, left perspective view of of a light assembly of the new design.

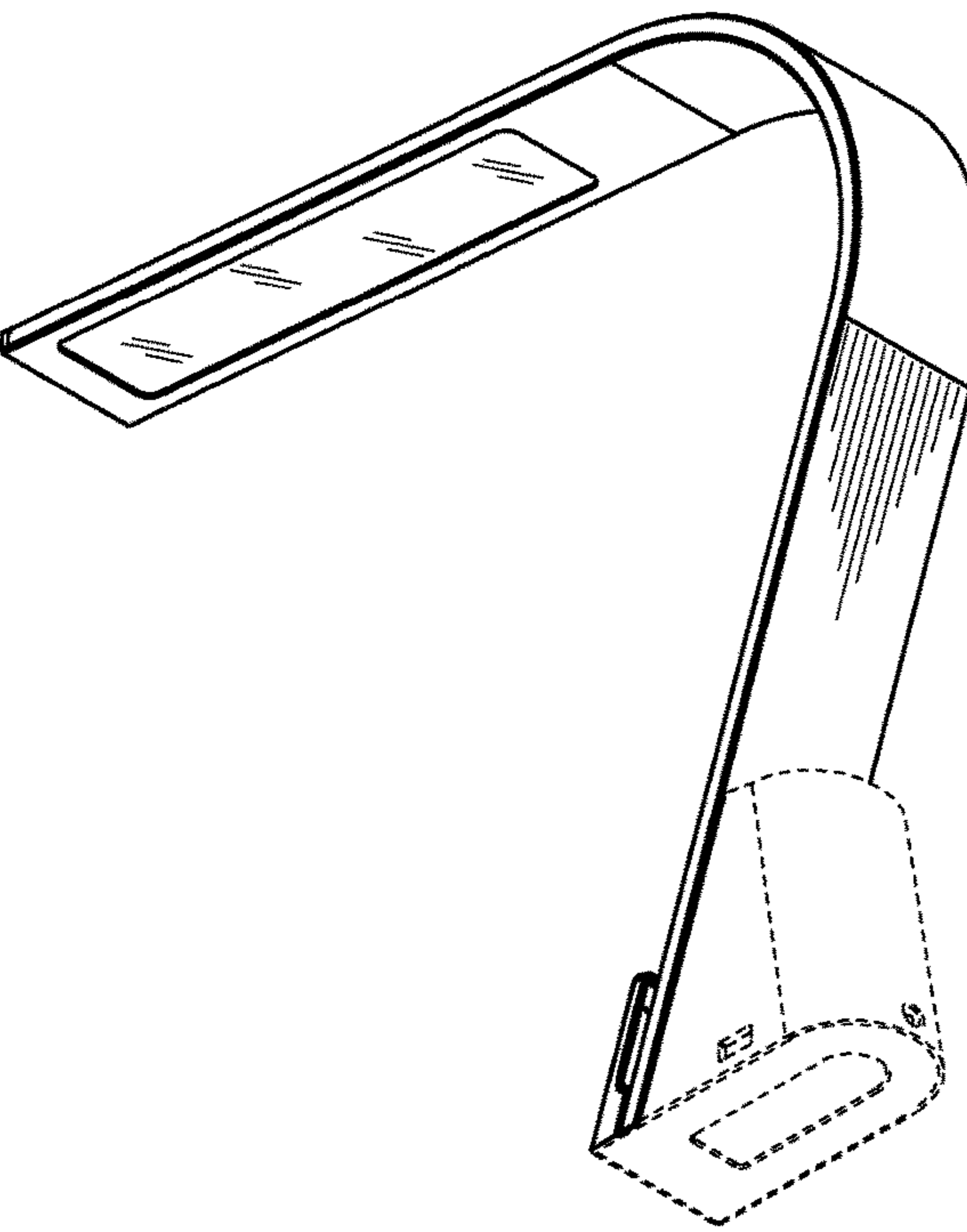
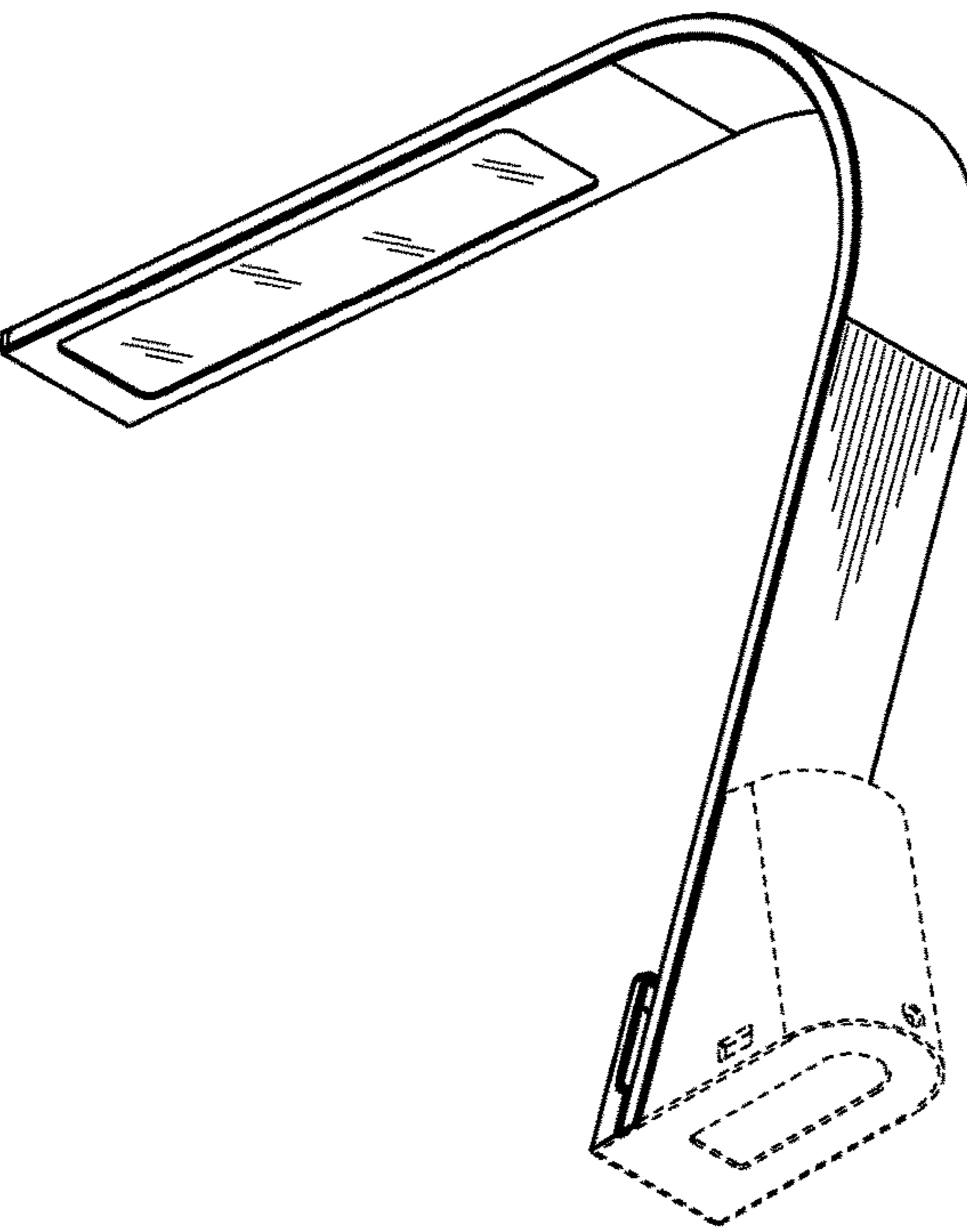
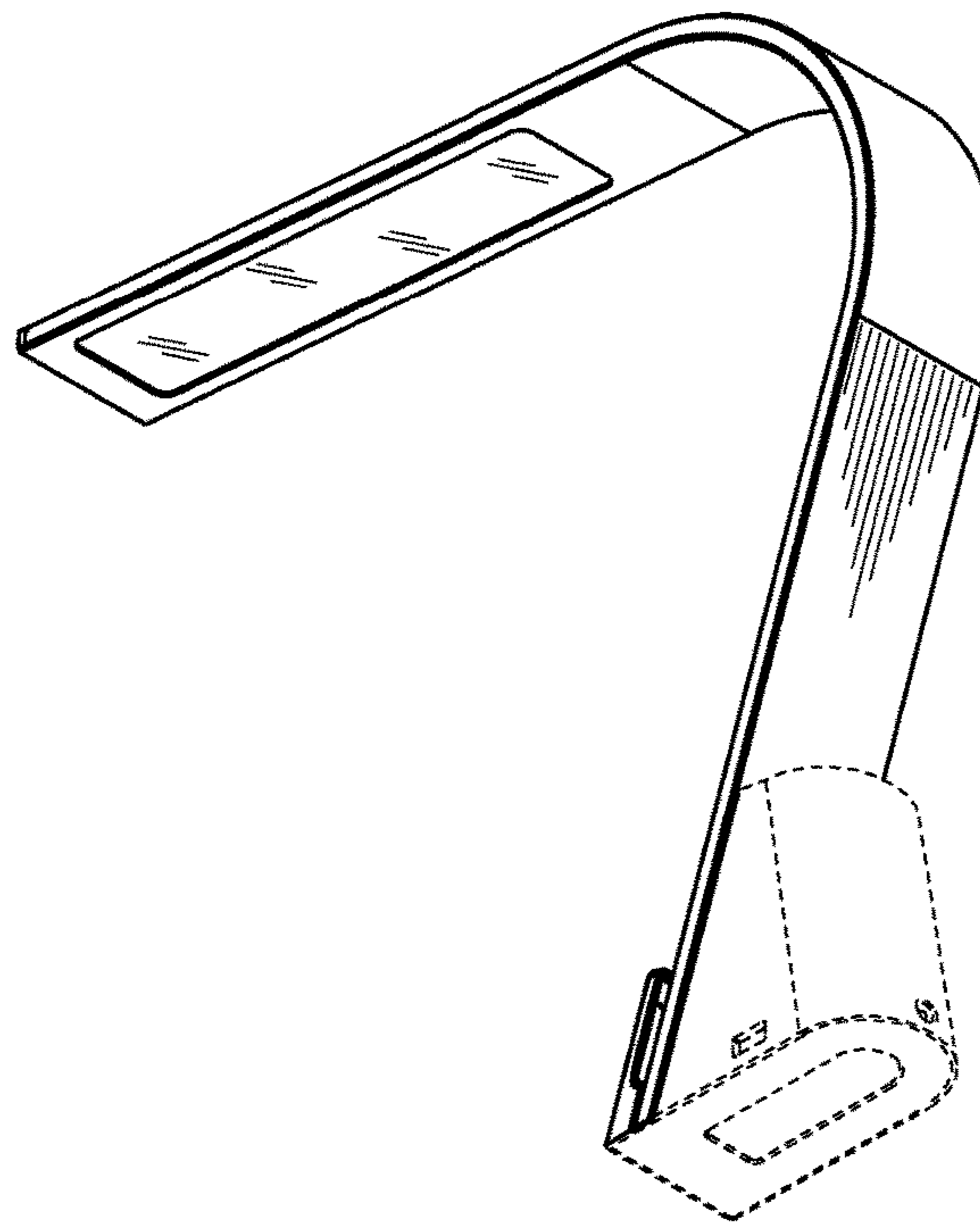
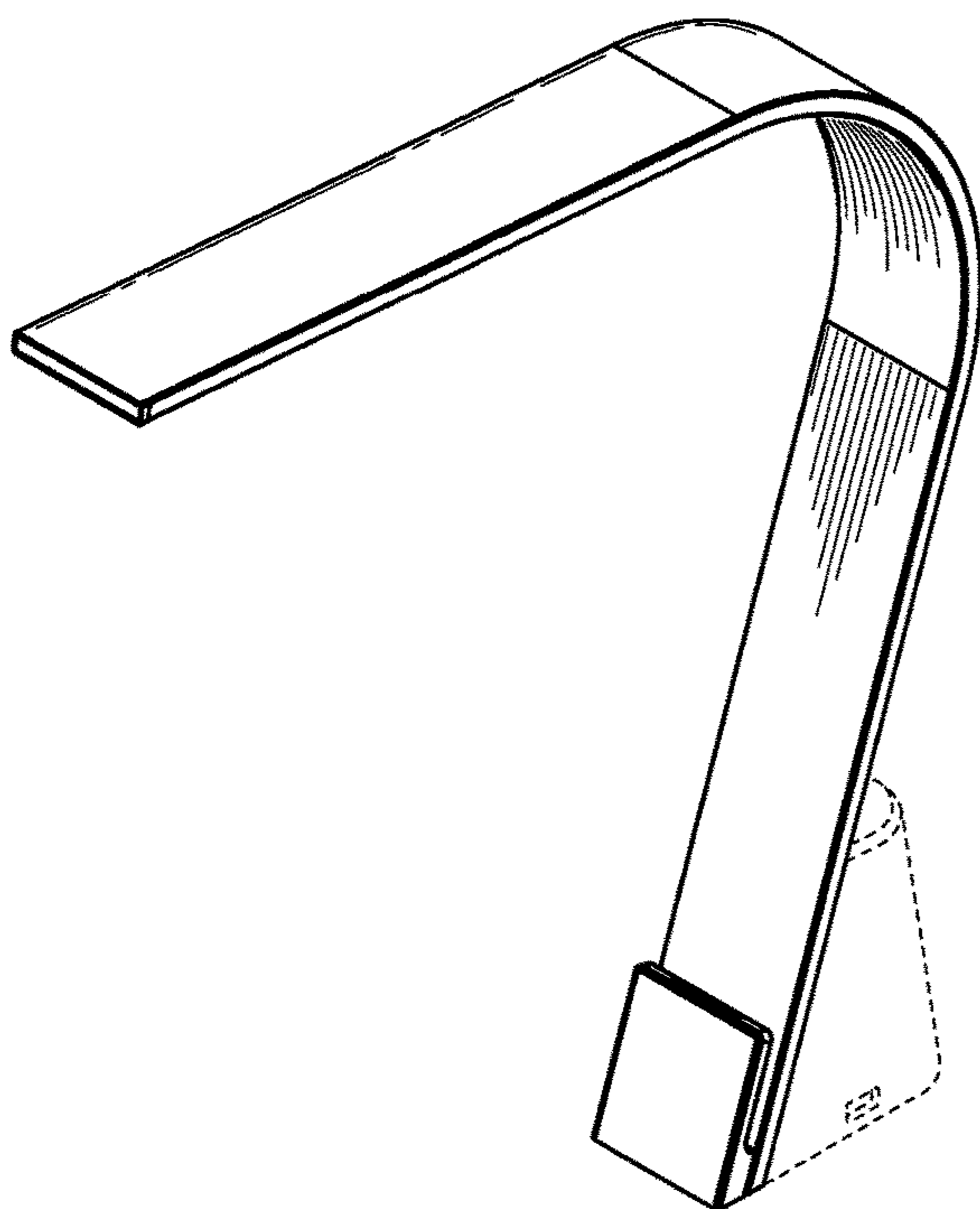
FIG. 2 is a back left perspective of the light assembly of FIG. 1.

FIG. 3 is a left elevational view of the light assembly of FIG. 1; and,

FIG. 4 is right elevational view of the light assembly of FIG. 1.

The dashed lines depict environmental aspects and form no part of the claimed design.

**1 Claim, 3 Drawing Sheets**



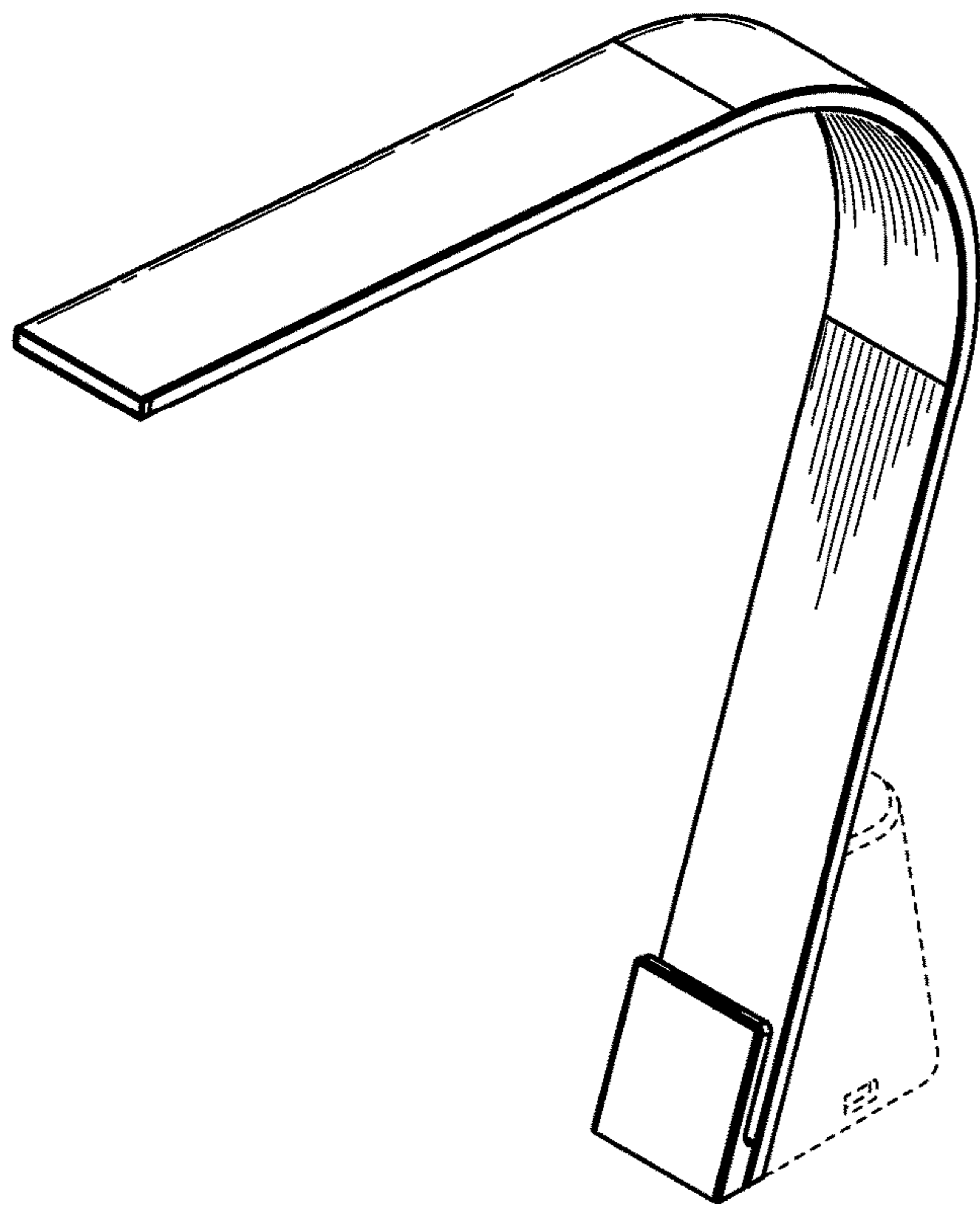


FIG. 1

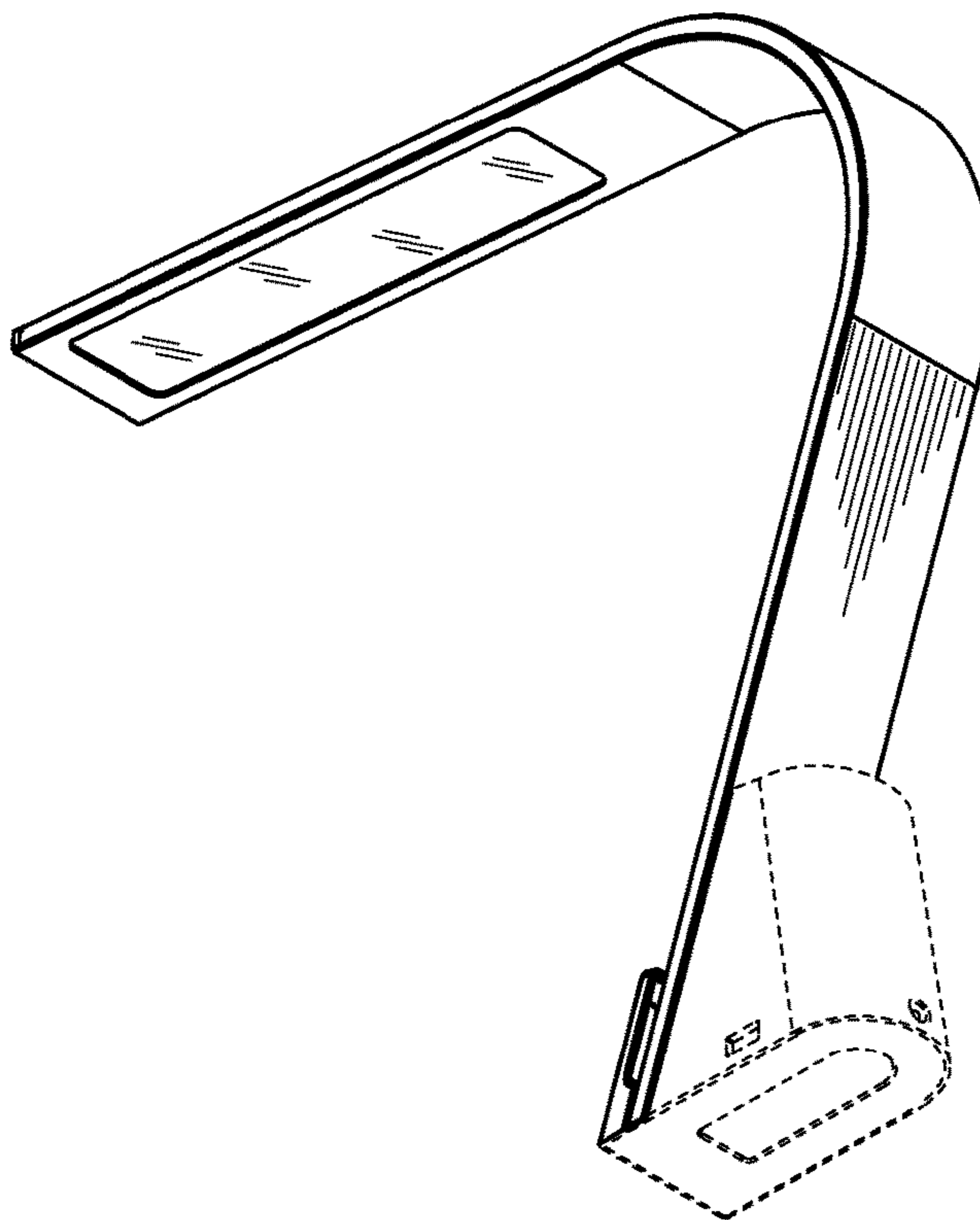


FIG. 2

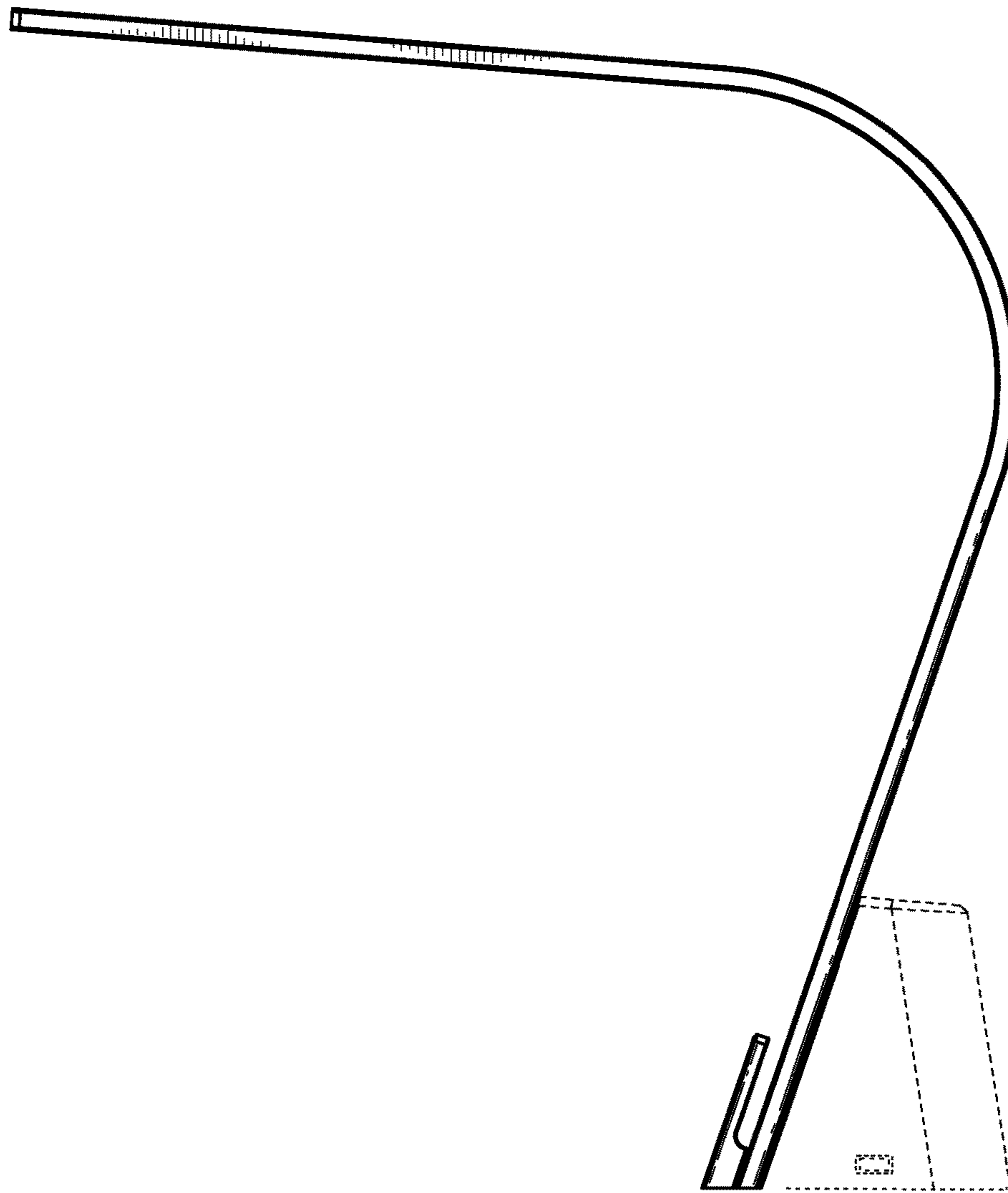


FIG. 3

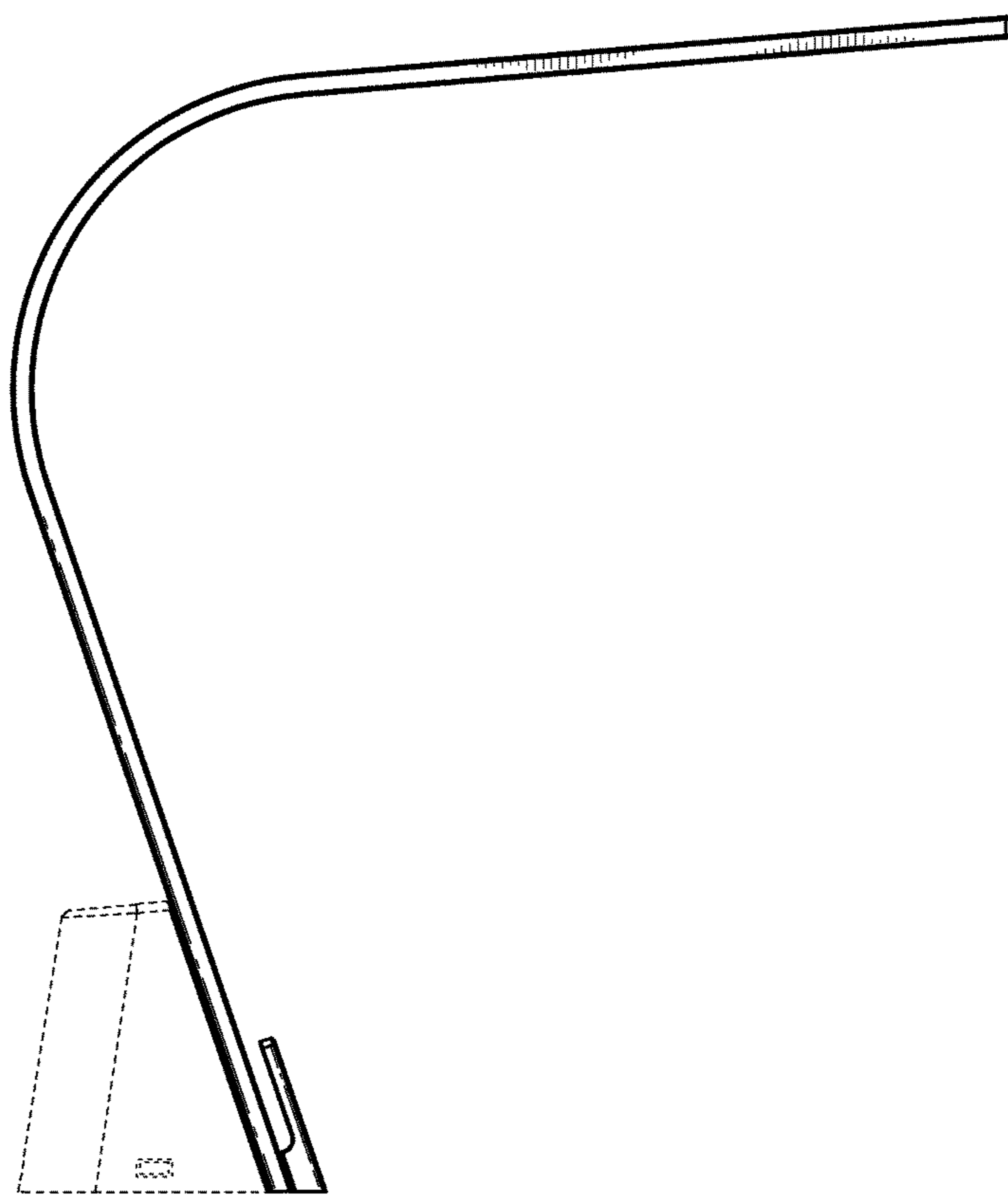


FIG. 4