



US00D787734S

(12) **United States Design Patent** (10) **Patent No.:** **US D787,734 S**  
**Patton et al.** (45) **Date of Patent:** **\*\* May 23, 2017**

(54) **WINDOW TAPER CANDLE**  
(71) Applicant: **Luminara Worldwide, LLC**, Eden Prairie, MN (US)  
(72) Inventors: **Douglas Patton**, Irvine, CA (US); **Channing Shattuck**, Bonsall, CA (US)  
(73) Assignee: **Luminara Worldwide, LLC**, Eden Prairie, MN (US)

D527,484 S \* 8/2006 Fussell ..... D26/96  
D545,458 S 6/2007 Jensen  
D576,317 S 9/2008 Jensen  
D612,076 S 3/2010 Peterson  
D639,493 S \* 6/2011 Goldy ..... D26/96  
D645,171 S 9/2011 Hau et al.  
D669,615 S 10/2012 Delcotto et al.  
D706,963 S 6/2014 Thompson  
(Continued)

(\*\*) Term: **15 Years**

(21) Appl. No.: **29/559,441**

(22) Filed: **Mar. 28, 2016**

(51) **LOC (10) Cl.** ..... **26-03**

(52) **U.S. Cl.**  
USPC ..... **D26/96**

(58) **Field of Classification Search**  
USPC ..... D26/4, 5, 6, 7, 9, 96  
CPC .... F21S 6/00; F21S 6/001; F21S 10/04; F21S 10/10; F21S 10/043; F21S 8/08; F21S 48/115; F21S 13/12; F21V 21/00; F21V 35/00; F21V 21/10; F21W 2121/00; C11C 5/002; C11C 5/004  
See application file for complete search history.

(56) **References Cited**

U.S. PATENT DOCUMENTS

D102,561 S 12/1936 Thomas  
D158,146 S \* 4/1950 Strayline ..... D26/21  
3,158,328 A \* 11/1964 Kubak ..... F21V 21/10  
362/393  
D204,898 S \* 5/1966 Gross ..... D26/10  
D293,826 S 1/1988 Berg  
D406,379 S 3/1999 Curtis  
D474,302 S \* 5/2003 Jensen ..... D26/96  
D488,582 S 4/2004 Connelly  
6,808,297 B2 \* 10/2004 Jensen ..... F21S 6/001  
362/190

FOREIGN PATENT DOCUMENTS

CA 2804583 A1 1/2014  
CN 101865413 A 10/2010  
(Continued)

OTHER PUBLICATIONS

EM Design Registration No. 002417550-0001, Innovation Industrial Group (HK) Limited, registered Mar. 4, 2014.

*Primary Examiner* — Brian N Vinson  
(74) *Attorney, Agent, or Firm* — Fish & Tsang LLP

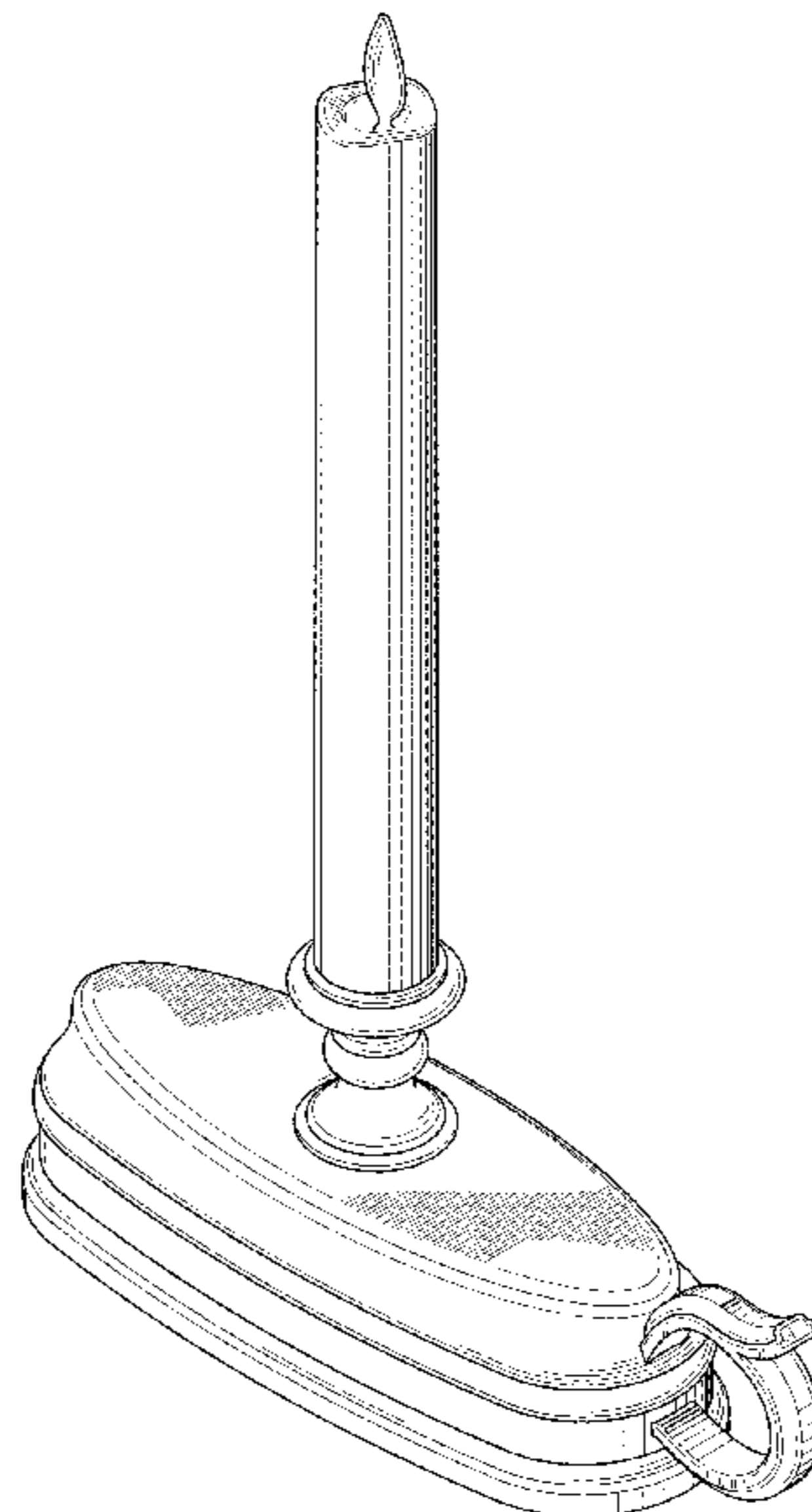
(57) **CLAIM**

We claim the ornamental design for a window taper candle, as shown and described.

**DESCRIPTION**

FIG. 1 is a top, front, right side perspective view of a window taper candle.  
FIG. 2 is a front elevation view of a window taper candle.  
FIG. 3 is a rear elevation view of a window taper candle.  
FIG. 4 is a left side elevation view of a window taper candle.  
FIG. 5 is a right side elevation view of a window taper candle.  
FIG. 6 is a top plan view of a window taper candle; and, FIG. 7 is a bottom plan view of a window taper candle.  
The broken line disclosure represents portions of candle which form no part of the claimed design.

**1 Claim, 5 Drawing Sheets**



(56)

**References Cited**

U.S. PATENT DOCUMENTS

D739,573	S	9/2015	Li
D740,460	S	10/2015	Thompson et al.
D743,096	S	11/2015	Patton et al.
D748,298	S	1/2016	Li
2006/0146544	A1	7/2006	Leung

FOREIGN PATENT DOCUMENTS

CN	20172414	U	1/2011
CN	102734740	A	10/2012
CN	203024053	U	6/2013
CN	102721002	A	6/2014
CN	303219547	S	5/2015
CN	303219548	S	5/2015
CN	303219549	S	5/2015
CN	303219555	S	5/2015
CN	303219556	S	5/2015
CN	303219560	S	5/2015
CN	303219561	S	5/2015
EP	2587127	A1	5/2013

\* cited by examiner

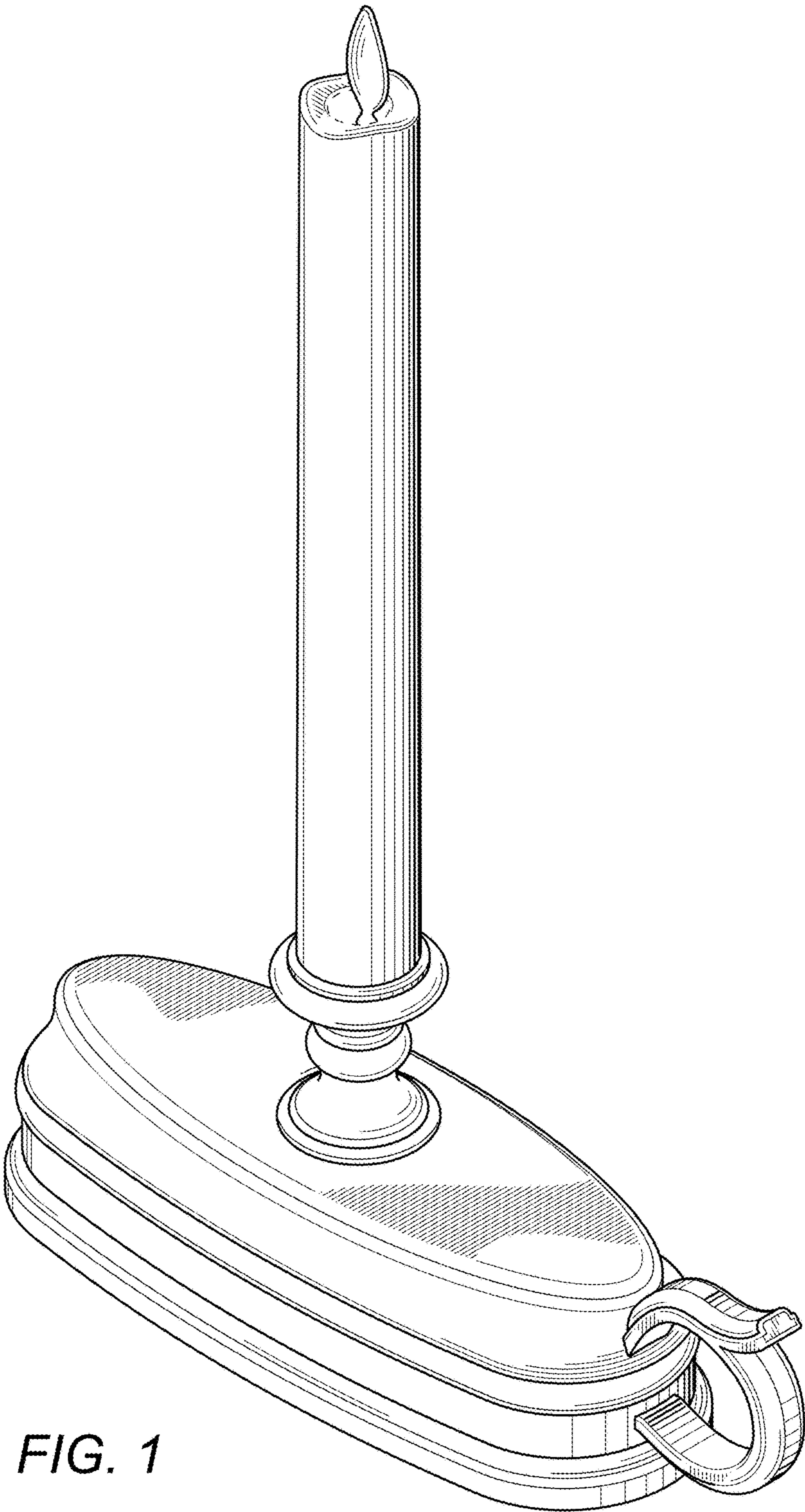


FIG. 1

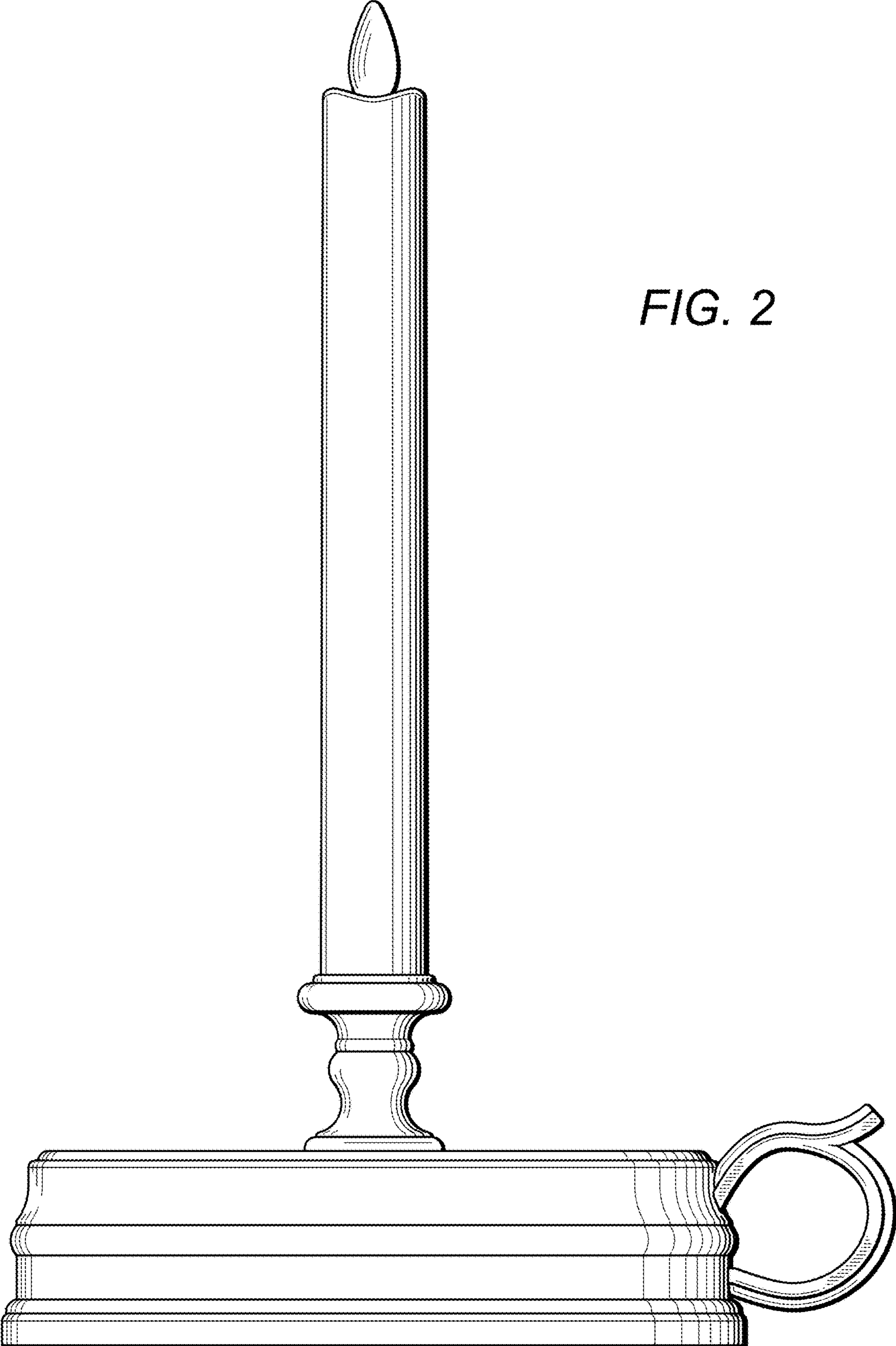
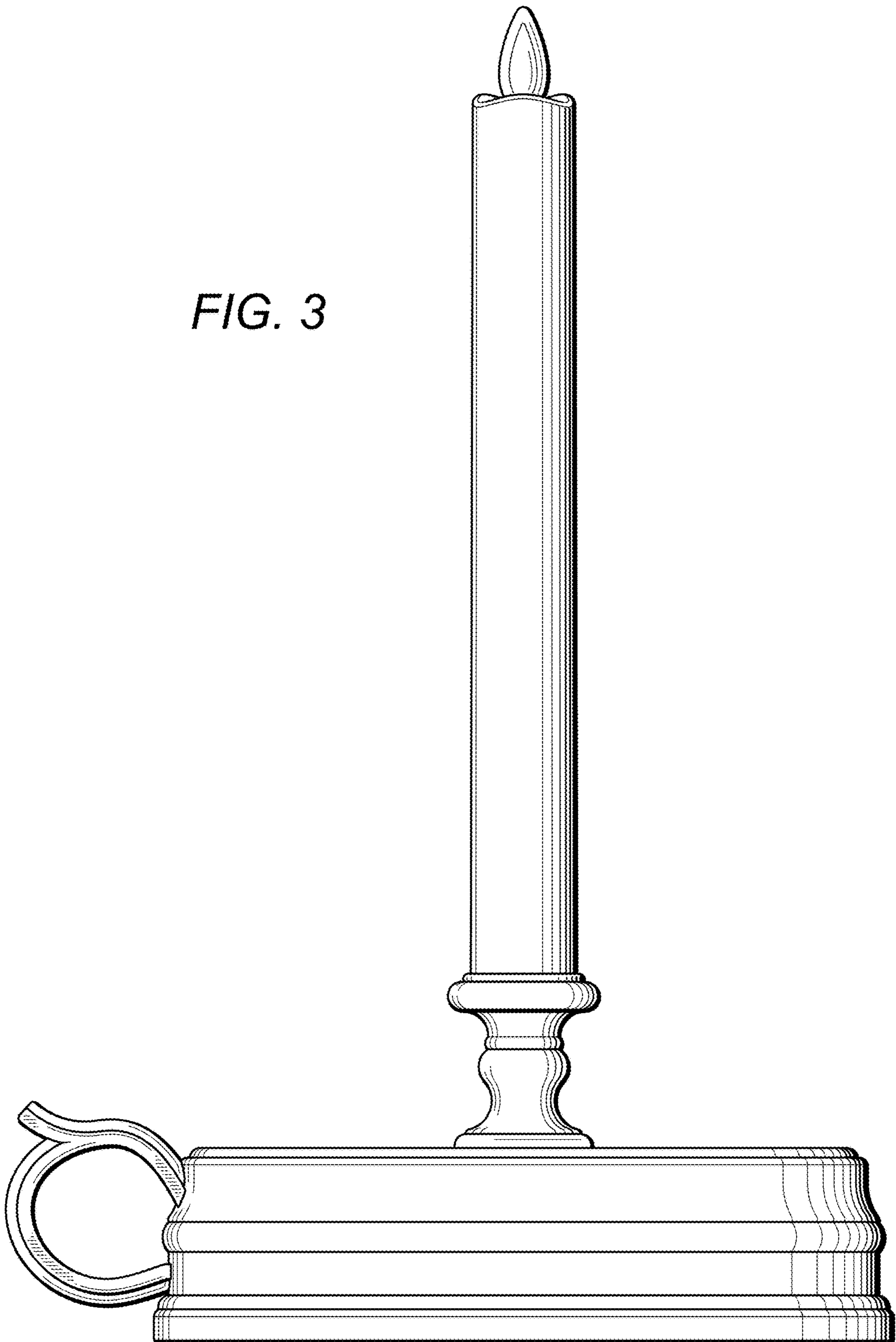
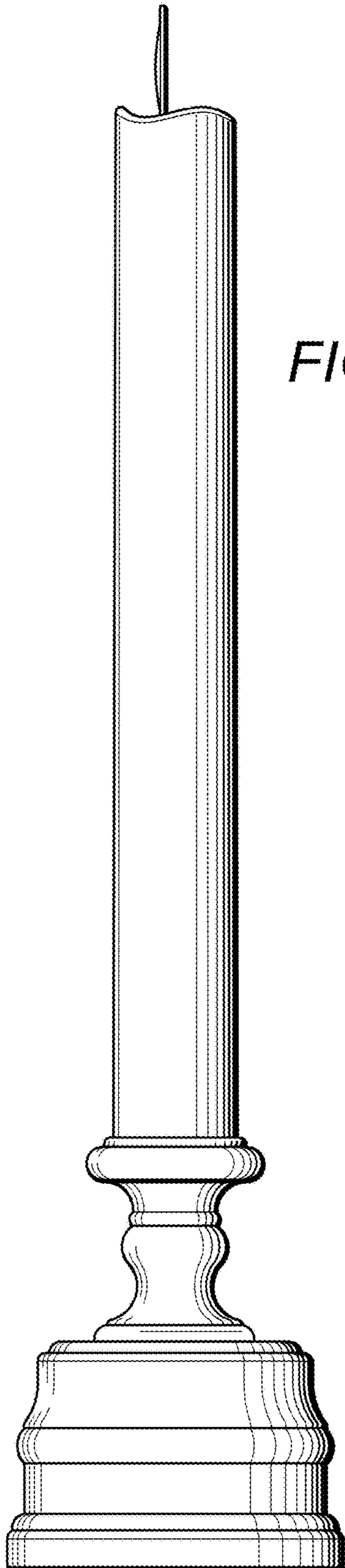


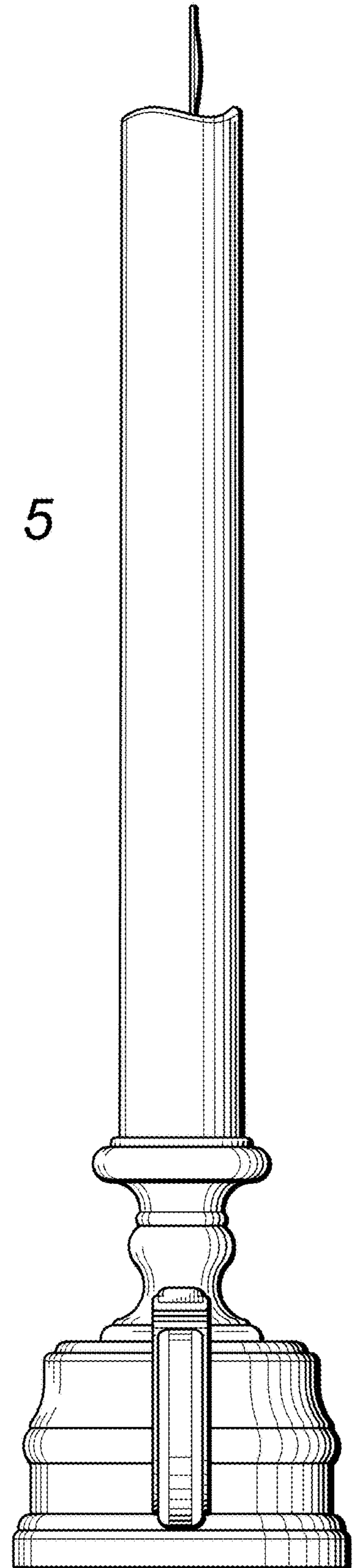
FIG. 2

*FIG. 3*





*FIG. 4*



*FIG. 5*

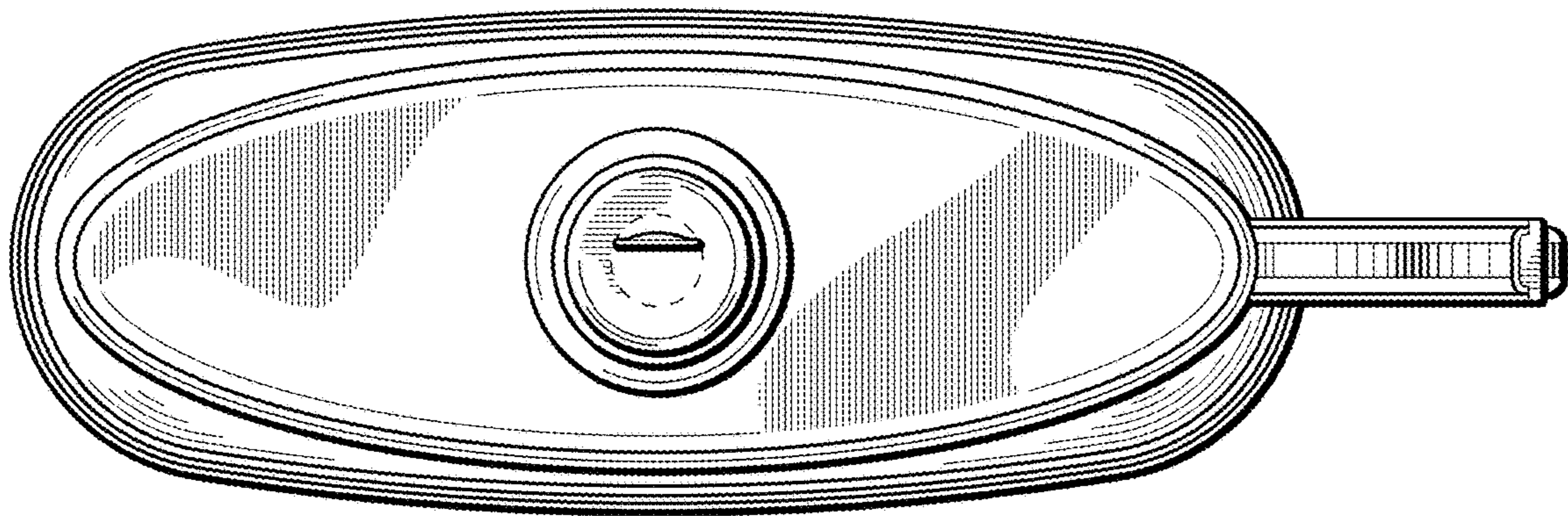


FIG. 6

FIG. 7

