



US00D787732S

(12) **United States Design Patent** (10) **Patent No.:** **US D787,732 S**
Parker et al. (45) **Date of Patent:** **** May 23, 2017**

(54) **LINEAR LUMINAIRE**

(71) Applicants: **Matthew Parker**, Lee, NH (US);
Amina Roderick, Portsmouth, NH (US)

(72) Inventors: **Matthew Parker**, Lee, NH (US);
Amina Roderick, Portsmouth, NH (US)

(73) Assignee: **OSRAM SYLVANIA Inc.**, Wilmington,
MA (US)

(**) Term: **15 Years**

(21) Appl. No.: **29/556,996**

(22) Filed: **Mar. 4, 2016**

Related U.S. Application Data

(62) Division of application No. 29/491,860, filed on May
27, 2014, now Pat. No. Des. 754,902.

(51) **LOC (10) Cl.** **26-03**

(52) **U.S. Cl.**
USPC **D26/76**

(58) **Field of Classification Search**
USPC D26/76, 78, 79, 80, 81, 82, 83, 85, 86,
D26/88, 90, 113, 118, 119, 120, 121, 122,
D26/138, 139, 140, 141, 142
CPC F21S 2/00; F21S 4/00; F21S 4/003; F21S
4/005; F21S 4/006; F21S 4/007; F21S
4/008; F21S 6/00; F21S 8/00; F21S
8/024; F21S 8/026; F21S 8/031; F21S
8/033; F21S 8/035-8/037; F21S 8/04;
F21S 8/043; F21S 8/063

See application file for complete search history.

(56) **References Cited**

U.S. PATENT DOCUMENTS

D206,286 S *	11/1966	Ostyn	D26/71
4,316,121 A *	2/1982	Hammer	H05B 41/04 315/52
D295,329 S *	4/1988	Roos	D26/104
D329,919 S *	9/1992	Jahn	D26/77
D521,675 S *	5/2006	Chen	D26/76
7,845,838 B2 *	12/2010	Kuo	F21V 7/005 362/217.02
D701,343 S *	3/2014	Ng	D26/76
D754,902 S *	4/2016	Parker	D26/76

* cited by examiner

Primary Examiner — George D Kirschbaum

Assistant Examiner — Natasha Vujcic

(74) *Attorney, Agent, or Firm* — Shaun P. Montana

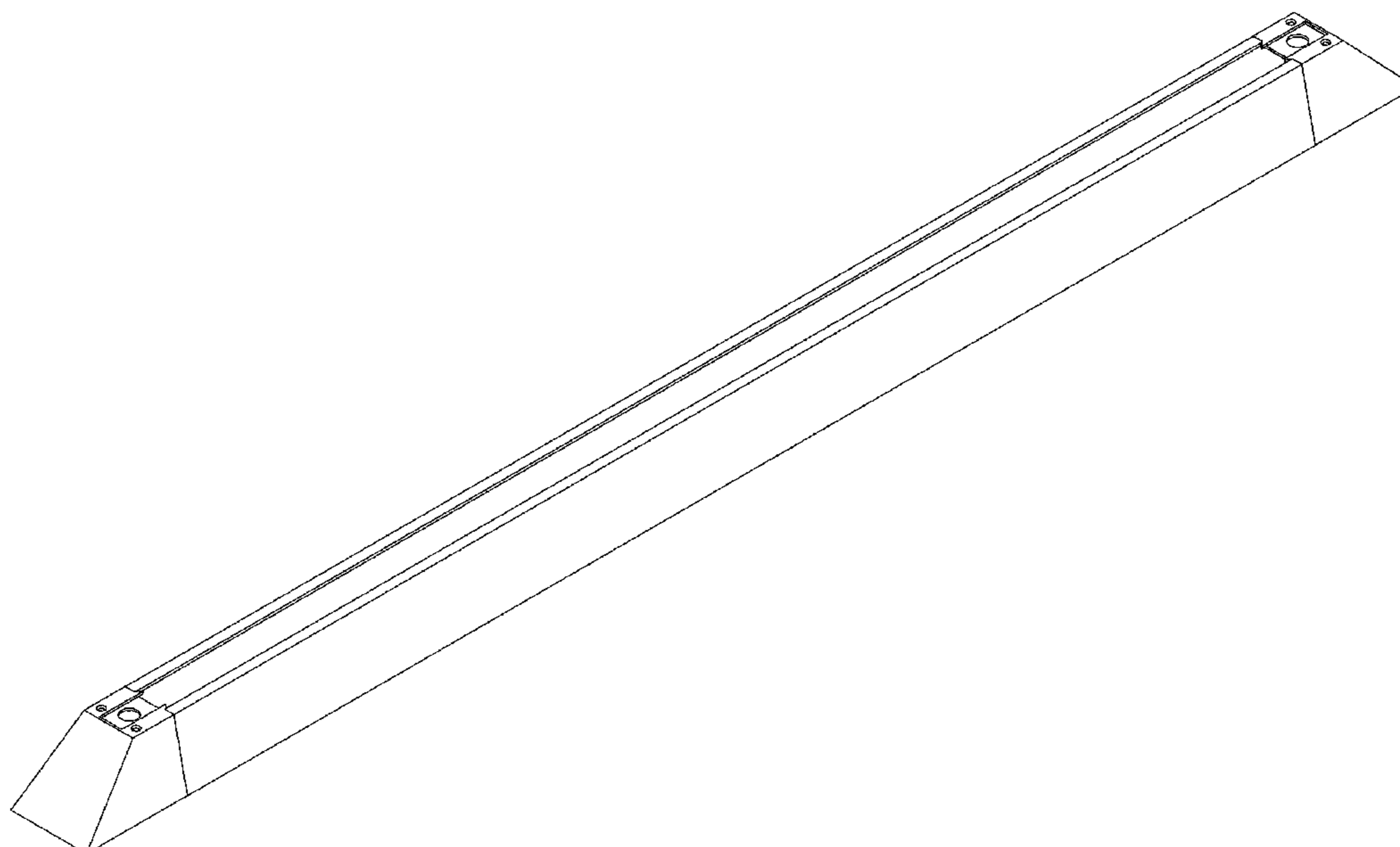
(57) **CLAIM**

The ornamental design for a linear luminaire, as shown and described.

DESCRIPTION

FIG. 1 is a perspective view of a first embodiment of the ornamental design of a linear luminaire.
FIG. 2 is another perspective view of the design in FIG. 1;
FIG. 3 is a left side view of the design in FIG. 1;
FIG. 5 is a bottom view of the design in FIG. 1;
FIG. 6 is a front view of the design in FIG. 1;
FIG. 7 is a right side view of the design in FIG. 1;
FIG. 8 is a back view of the design in FIG. 1;
FIG. 9 is a perspective view of a second embodiment of the design;
FIG. 10 is a top view of the design in FIG. 9;
FIG. 11 is a perspective view of a third embodiment of the design; and,
FIG. 12 is top view of the design in FIG. 11.

1 Claim, 8 Drawing Sheets



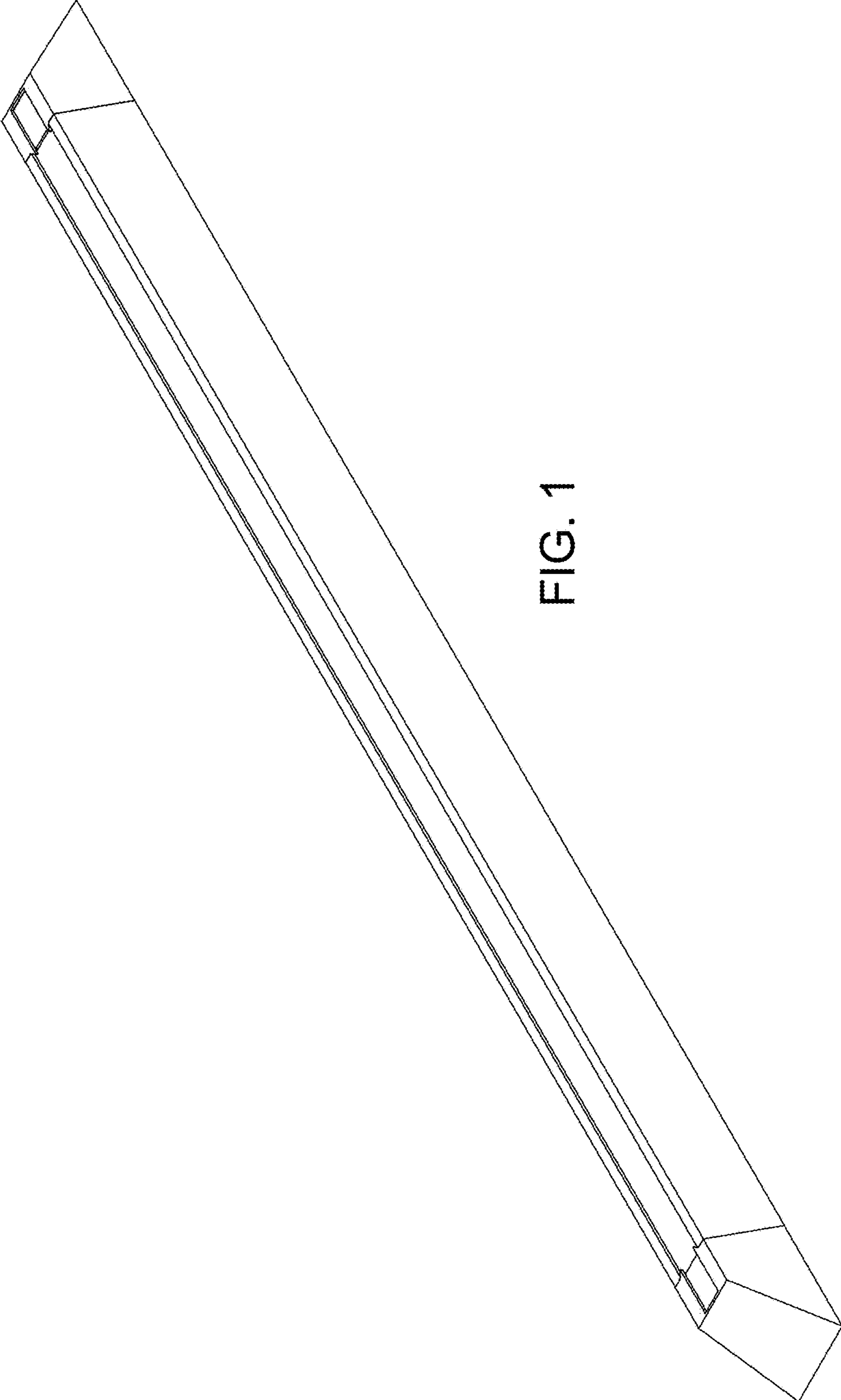


FIG. 1

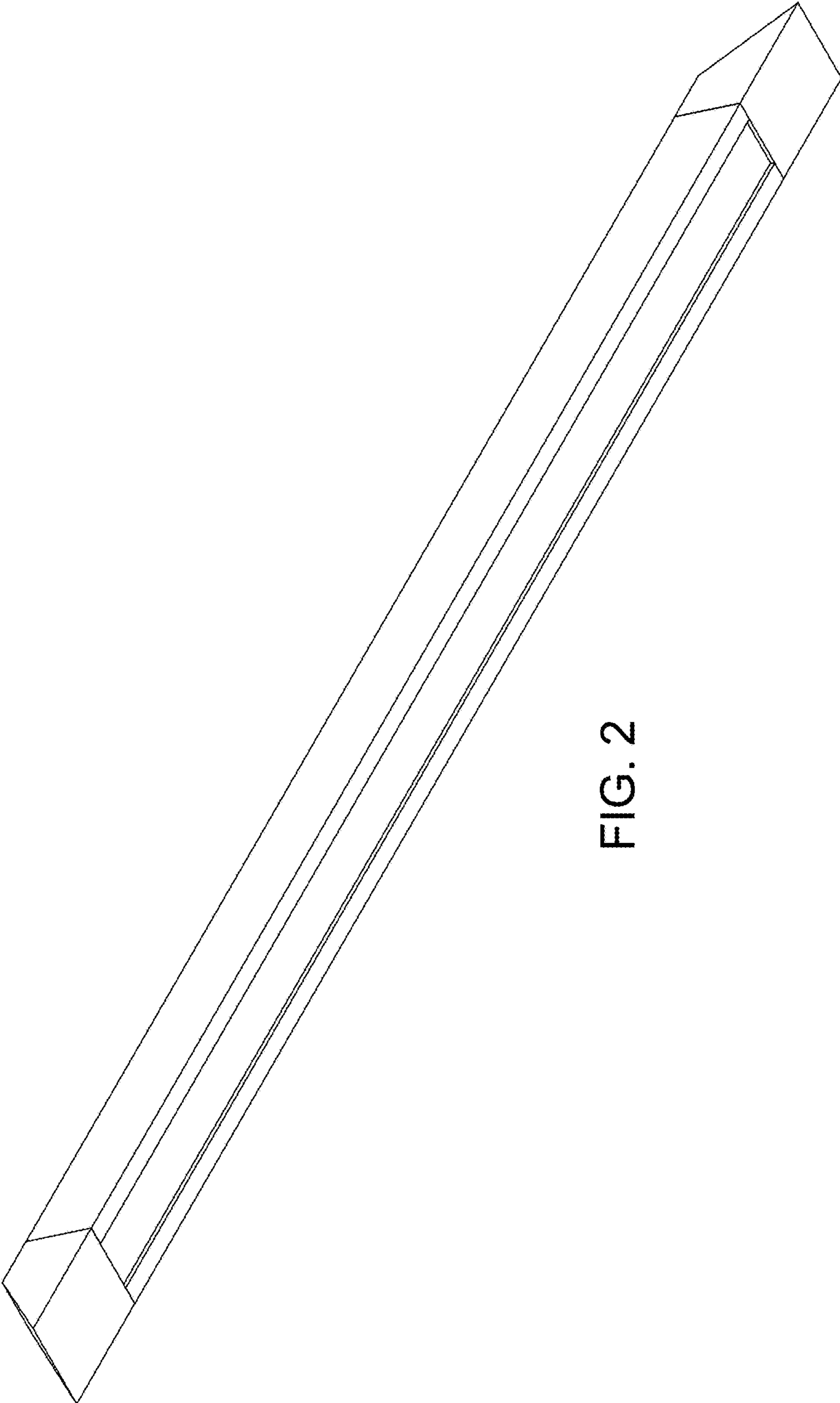


FIG. 2

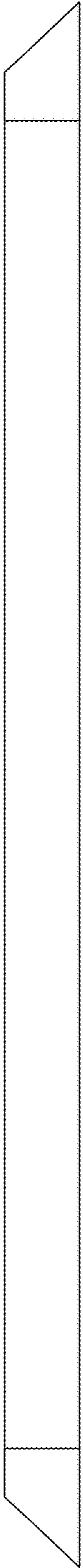


FIG. 3

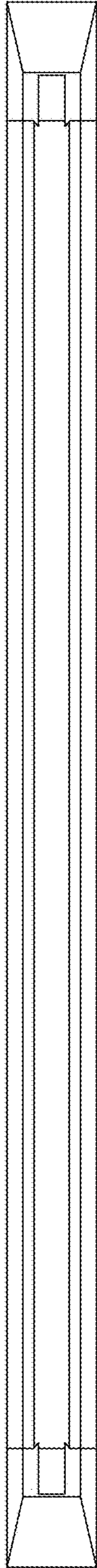


FIG. 4



FIG. 5



FIG. 6

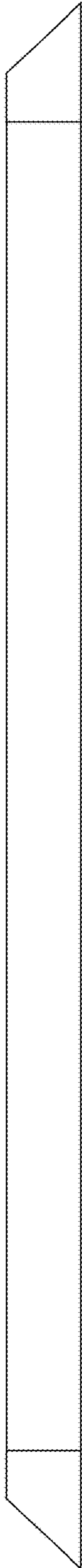


FIG. 7

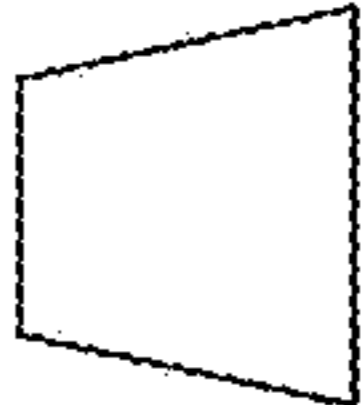


FIG. 8

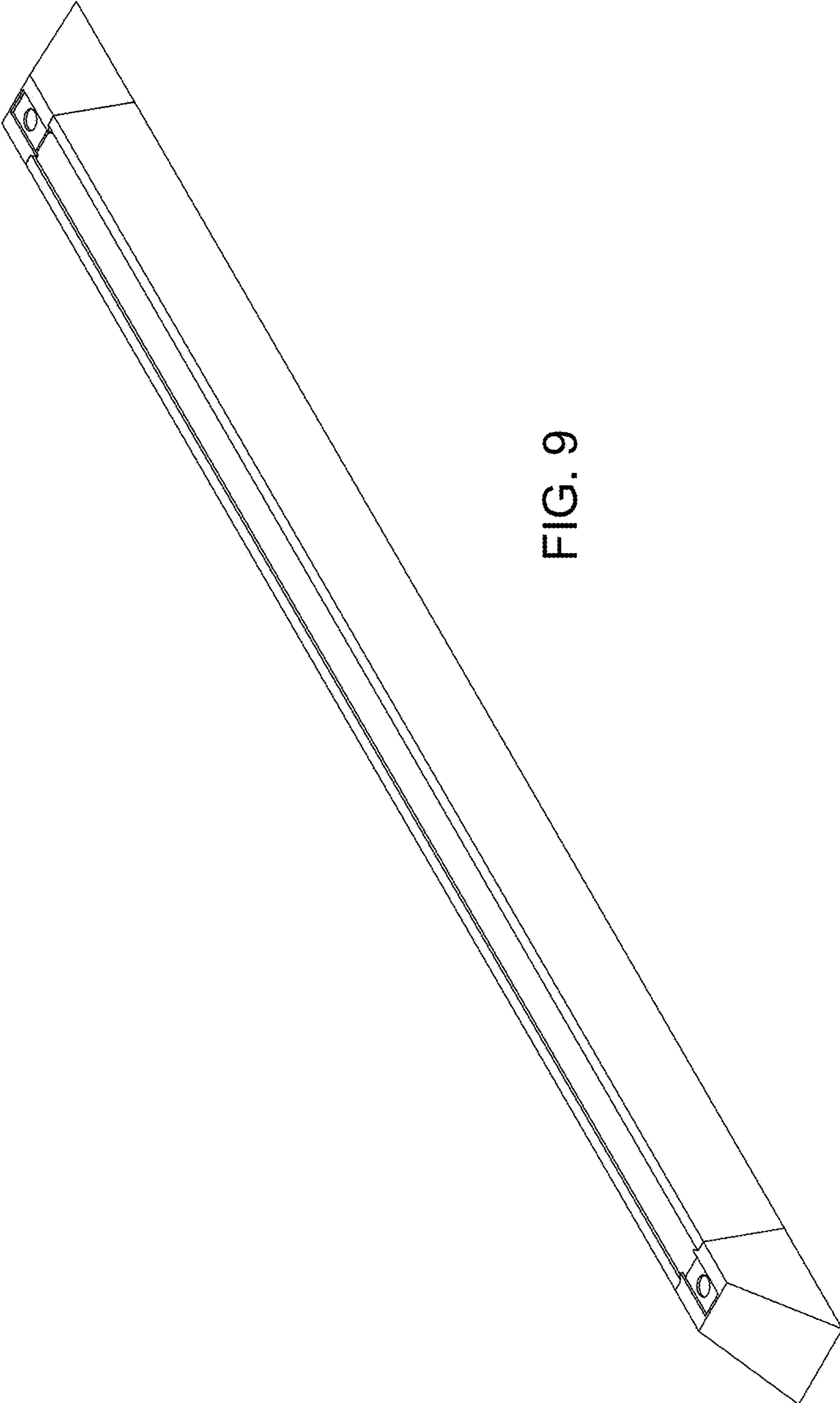


FIG. 9

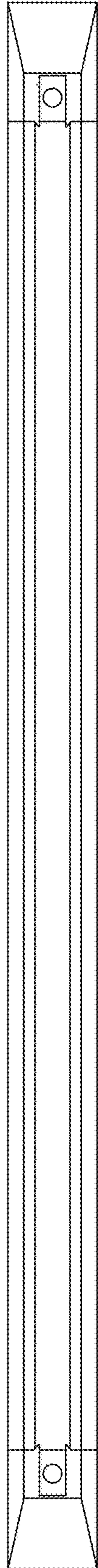


FIG. 10

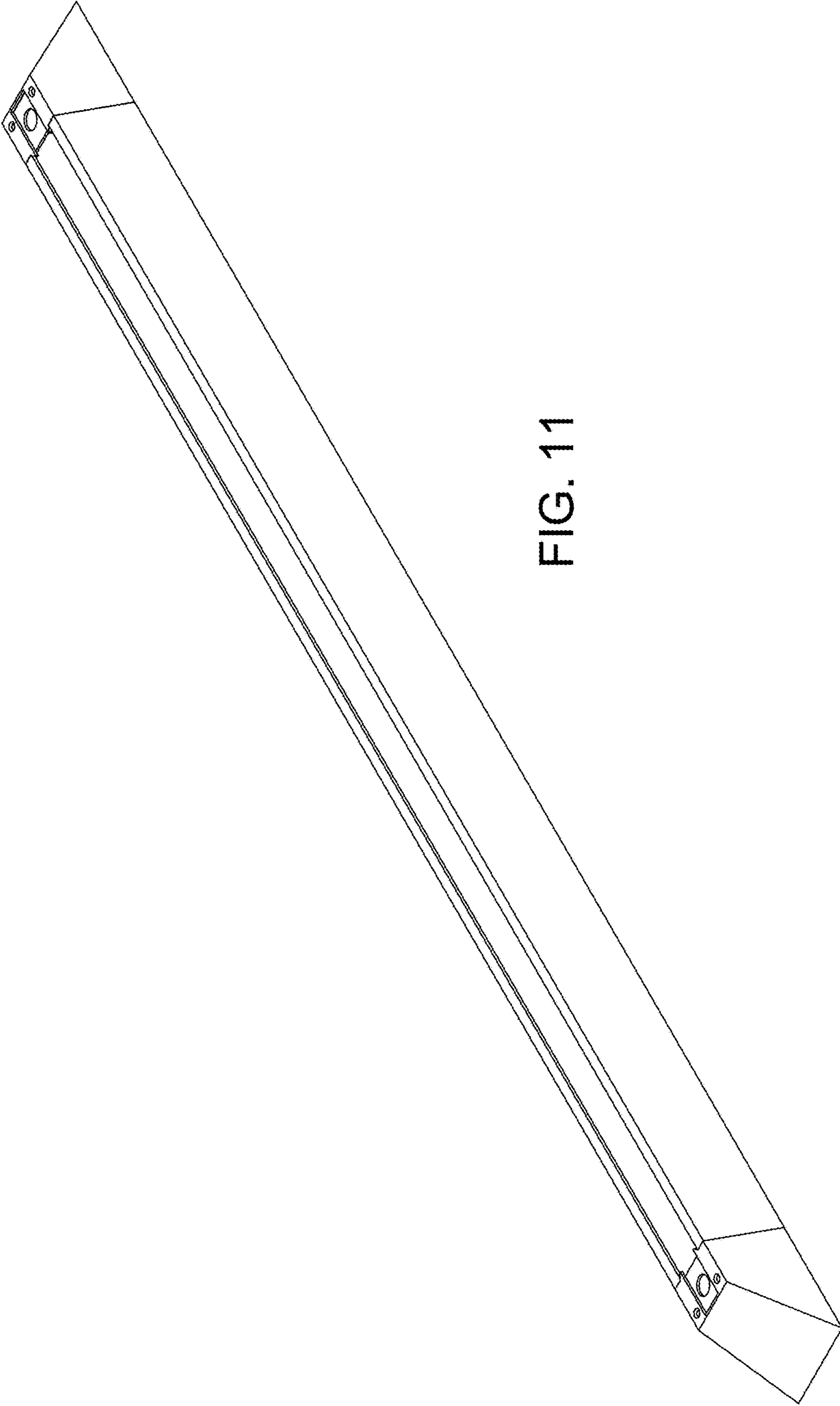


FIG. 11

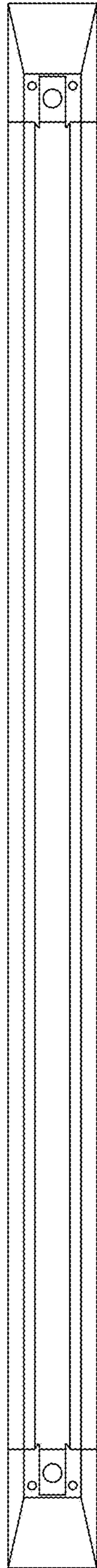


FIG. 12