



US00D787730S

(12) **United States Design Patent**
Gines

(10) **Patent No.:** **US D787,730 S**

(45) **Date of Patent:** **** May 23, 2017**

(54) **SPOTLIGHT LAMP FOR INDOOR USE**

(71) Applicant: **Iguzzini Illuminazione S.P.A.**, Recanati (IT)

(72) Inventor: **Maurici Gines**, Sant Cugat del Valles (ES)

(73) Assignee: **Iguzzini Illuminazione S.P.A.**, Recanati (IT)

(**) Term: **15 Years**

(21) Appl. No.: **29/542,202**

(22) Filed: **Oct. 12, 2015**

(51) **LOC (10) Cl.** **26-03**

(52) **U.S. Cl.**
USPC **D26/63**

(58) **Field of Classification Search**
USPC D26/1, 24, 61, 63, 65, 85, 92
CPC F21V 21/14; F21V 15/01; F21V 14/02;
F21V 21/30; F21V 21/00; F21V 14/00;
F21S 8/00; F21S 8/003; F21S 8/043;
F21Y 2105/001
See application file for complete search history.

(56) **References Cited**

U.S. PATENT DOCUMENTS

D239,967 S * 5/1976 Ewing et al. D26/65
D541,456 S * 4/2007 Kosche D26/63

D563,579 S * 3/2008 Grimberg D26/61
D600,390 S * 9/2009 Sabernig D26/65
D670,846 S * 11/2012 Ramirez D26/63
D748,313 S * 1/2016 Grundl D26/63
D751,746 S * 3/2016 Hoang D26/63
D775,754 S * 1/2017 Jepson D26/63

* cited by examiner

Primary Examiner — Brian N Vinson

(74) *Attorney, Agent, or Firm* — Stetina Brunda Garred & Brucker

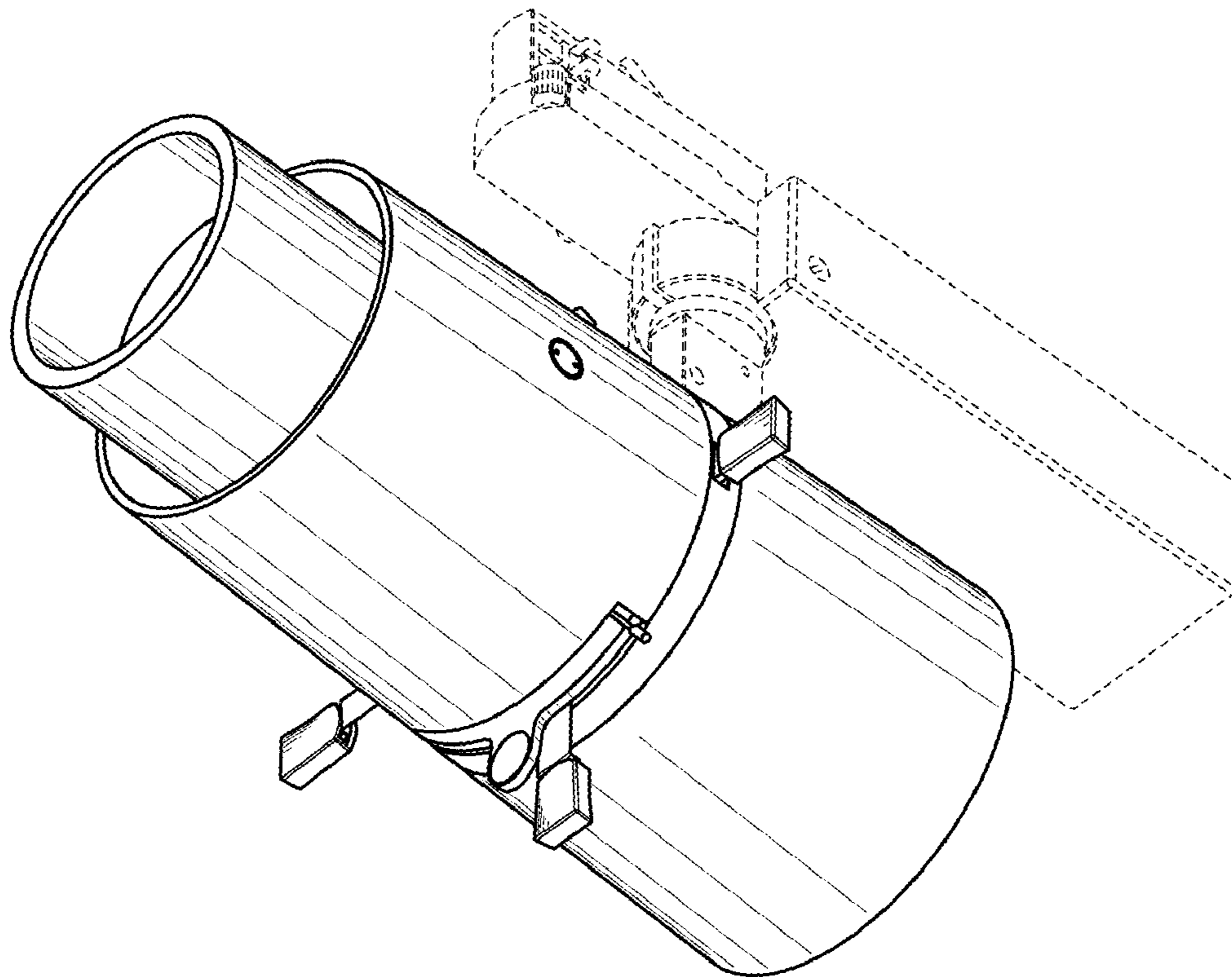
(57) **CLAIM**

The ornamental design for a spotlight lamp for indoor use, as shown and described.

DESCRIPTION

FIG. 1 is a front perspective view of the spotlight lamp for indoor use of the present invention showing my new design, with the dotted lines depicting environmental structure and forming no part of the claimed design;
FIG. 2 is a front view thereof;
FIG. 3 is a right view thereof;
FIG. 4 is a left view thereof;
FIG. 5 is a back view thereof;
FIG. 6 is a top view thereof; and,
FIG. 7 is a bottom view thereof.

1 Claim, 7 Drawing Sheets



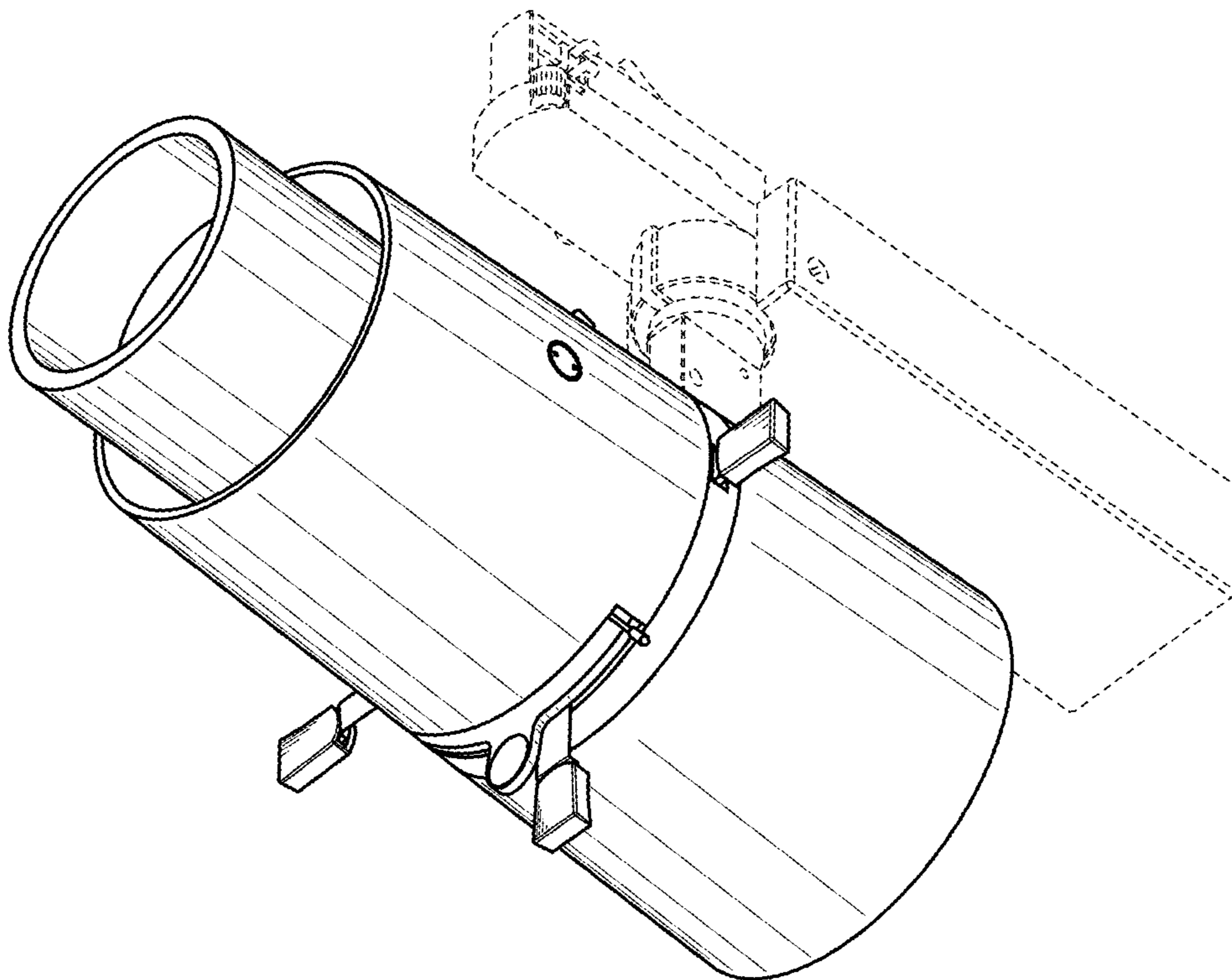


Fig. 1

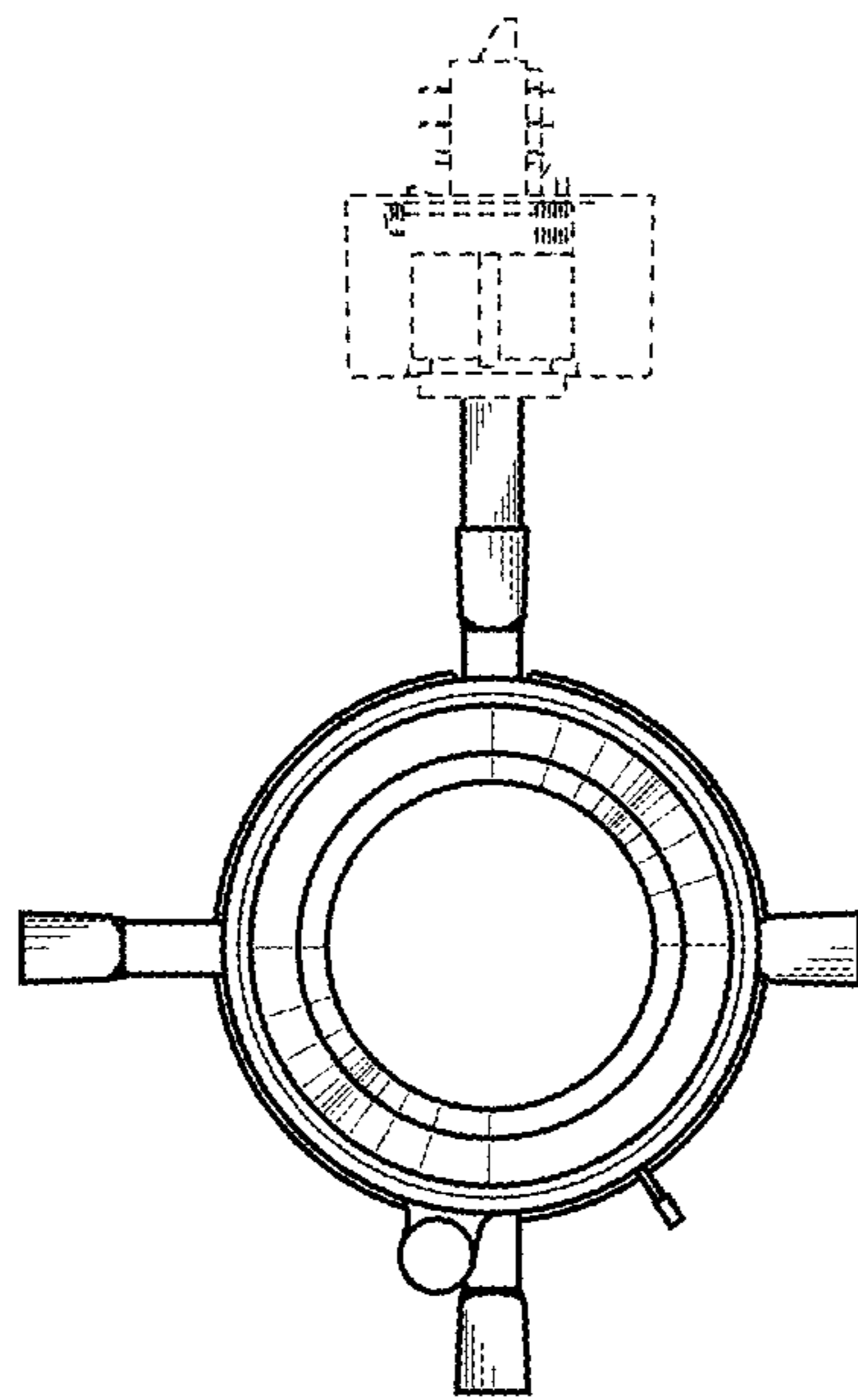


Fig. 2

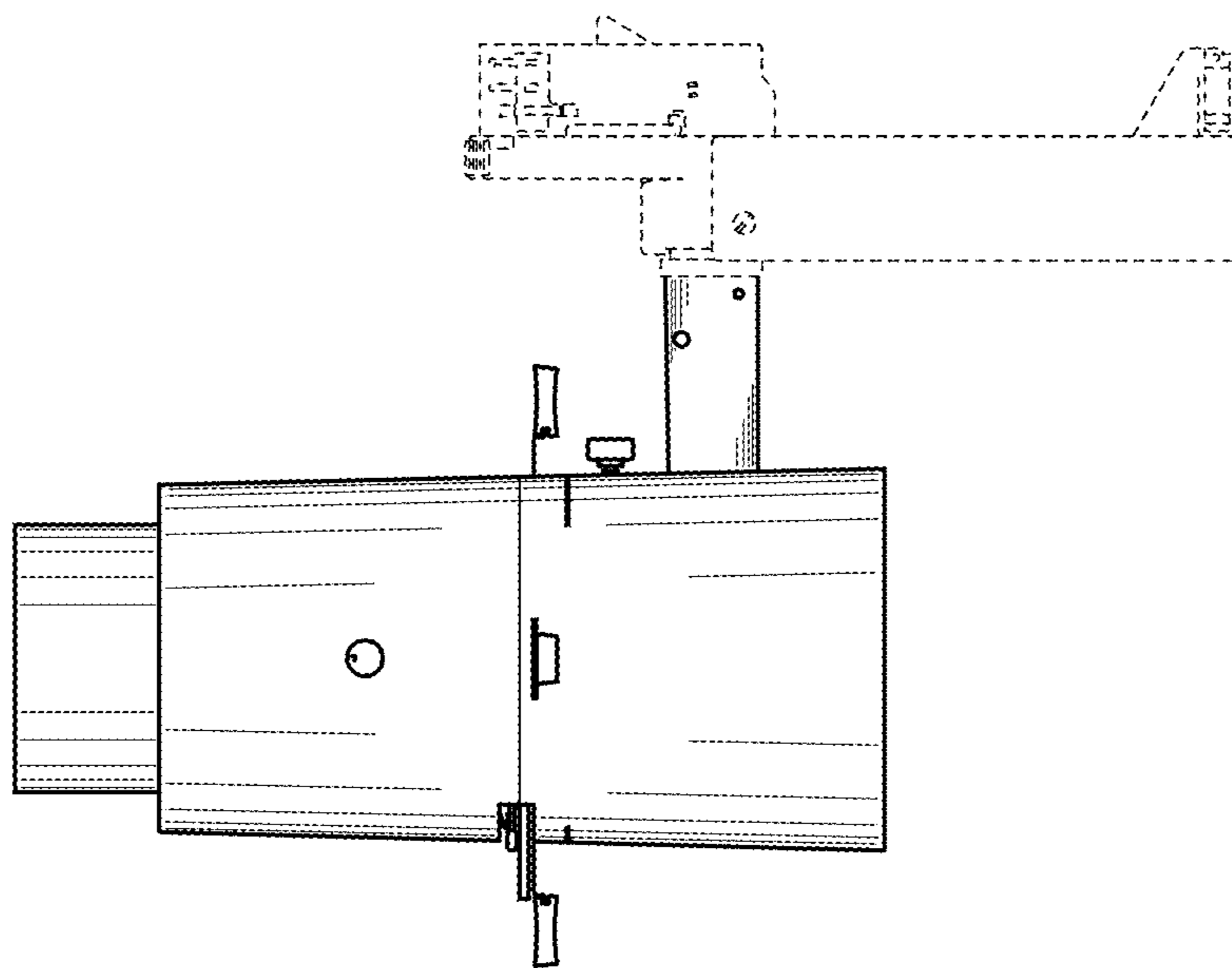


Fig. 3

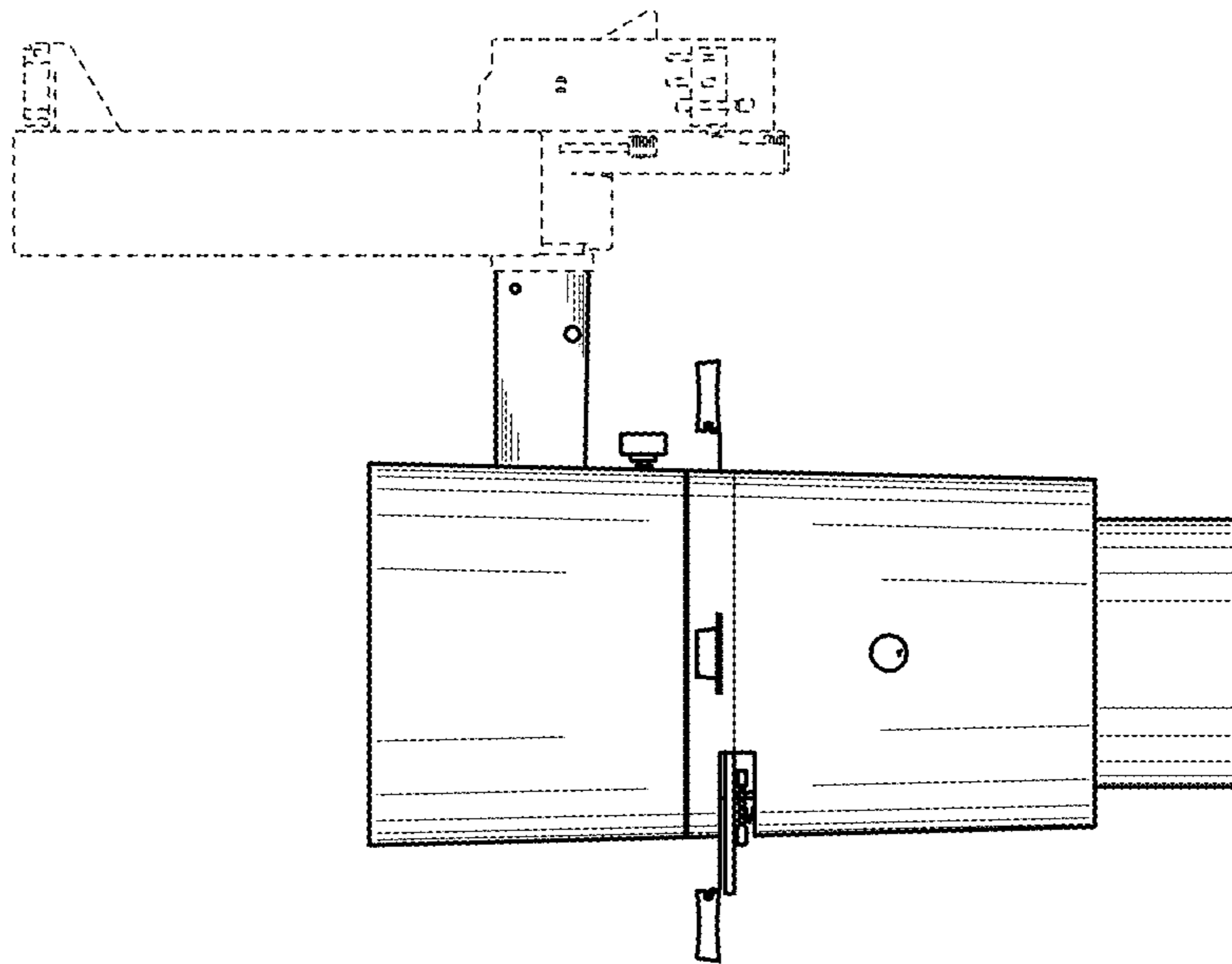


Fig. 4

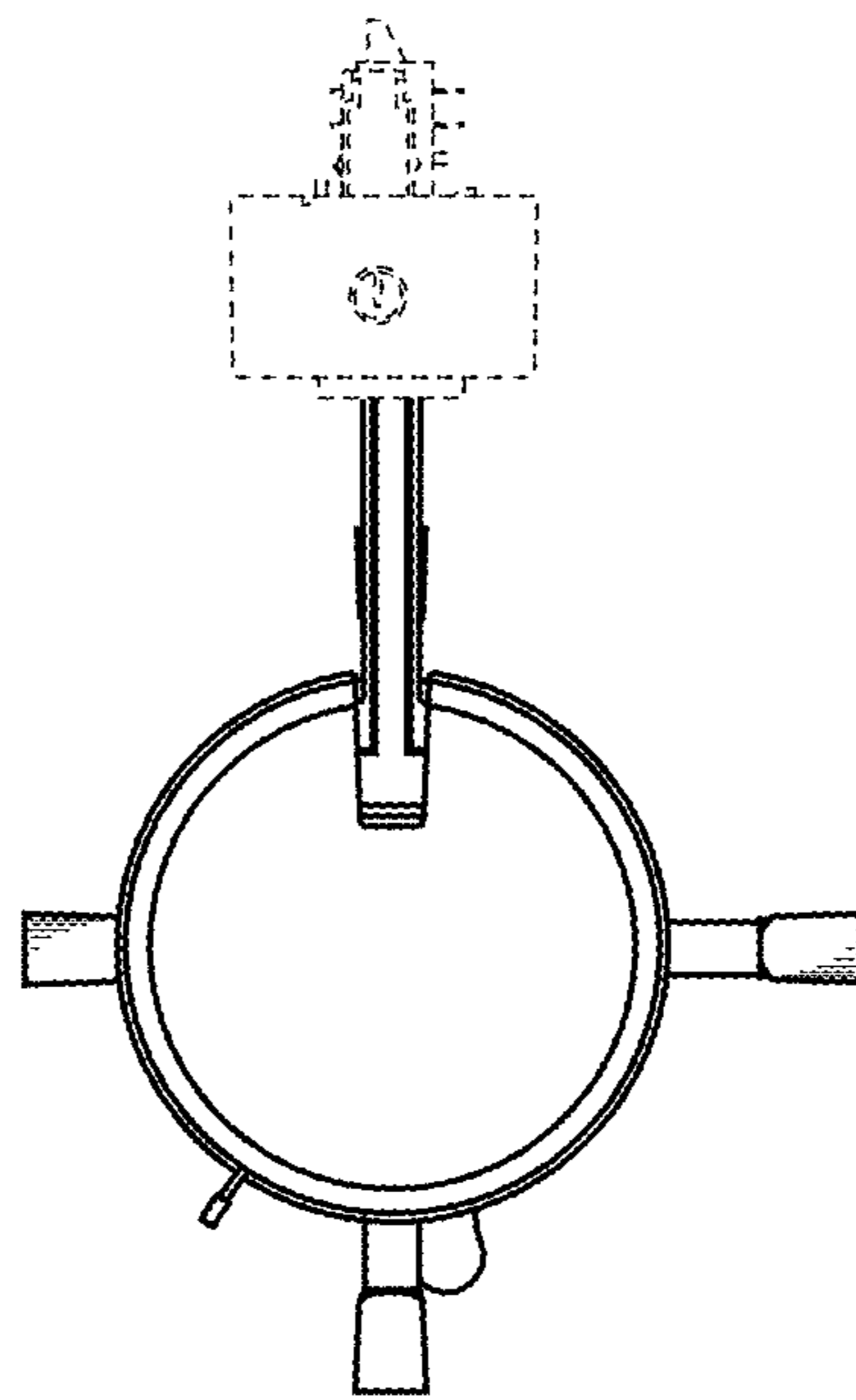


Fig. 5

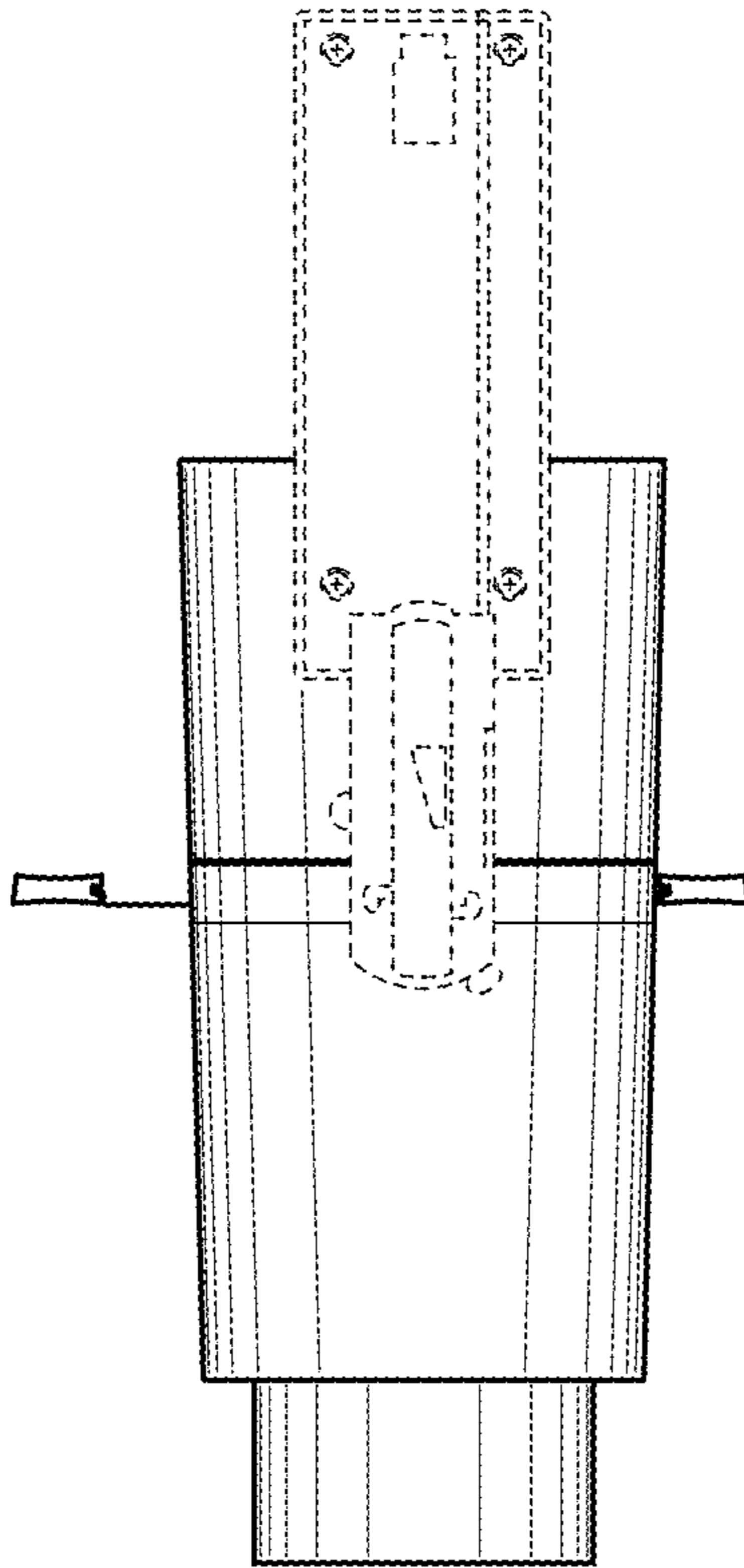


Fig. 6

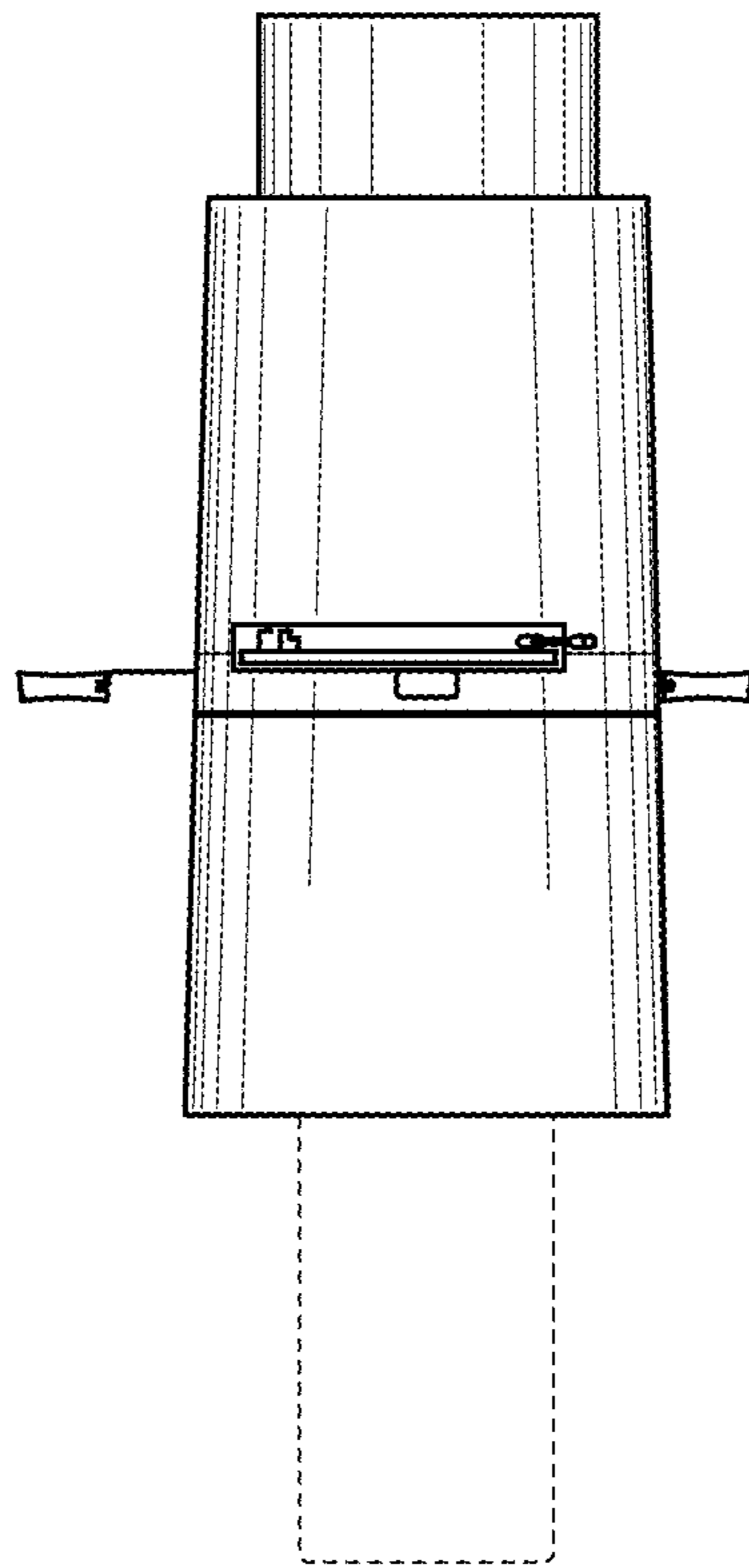


Fig. 7