



US00D787729S

(12) **United States Design Patent**
Jin et al.

(10) **Patent No.:** **US D787,729 S**
(45) **Date of Patent:** **** May 23, 2017**

(54) **CLIP-ON LAMP**

(71) Applicant: **Linhai Zhongtian Electronic Appliance Co., Ltd.**, Linhai, Zhejiang (CN)

(72) Inventors: **Shimin Jin**, Zhejiang (CN); **Qianchao Lu**, Zhejiang (CN); **Guoqiu Li**, Guangxi (CN); **Jianjun Lou**, Zhejiang (CN)

(73) Assignee: **LINHAI ZHONGTIAN ELECTRONIC APPLIANCE CO., LTD.**, Linhai (CN)

(**) Term: **15 Years**

(21) Appl. No.: **29/564,287**

(22) Filed: **May 11, 2016**

(30) **Foreign Application Priority Data**

Jan. 26, 2016 (CN) 2016 3 0028063

(51) **LOC (10) Cl.** **26-03**

(52) **U.S. Cl.**
USPC **D26/60**

(58) **Field of Classification Search**
USPC D26/28, 60-63
CPC B62J 6/001; B62J 6/02; B62J 6/003; F21S 4/00; F21V 21/00

See application file for complete search history.

(56) **References Cited**

U.S. PATENT DOCUMENTS

| | | | | |
|--------------|---------|-----------------|-------|--------|
| D580,576 S * | 11/2008 | Wang | | D26/60 |
| D648,470 S * | 11/2011 | Rains | | D26/60 |
| D669,617 S * | 10/2012 | Huckestein | | D26/60 |
| D670,843 S * | 11/2012 | von Waldthausen | | D26/37 |

* cited by examiner

Primary Examiner — Brian N Vinson

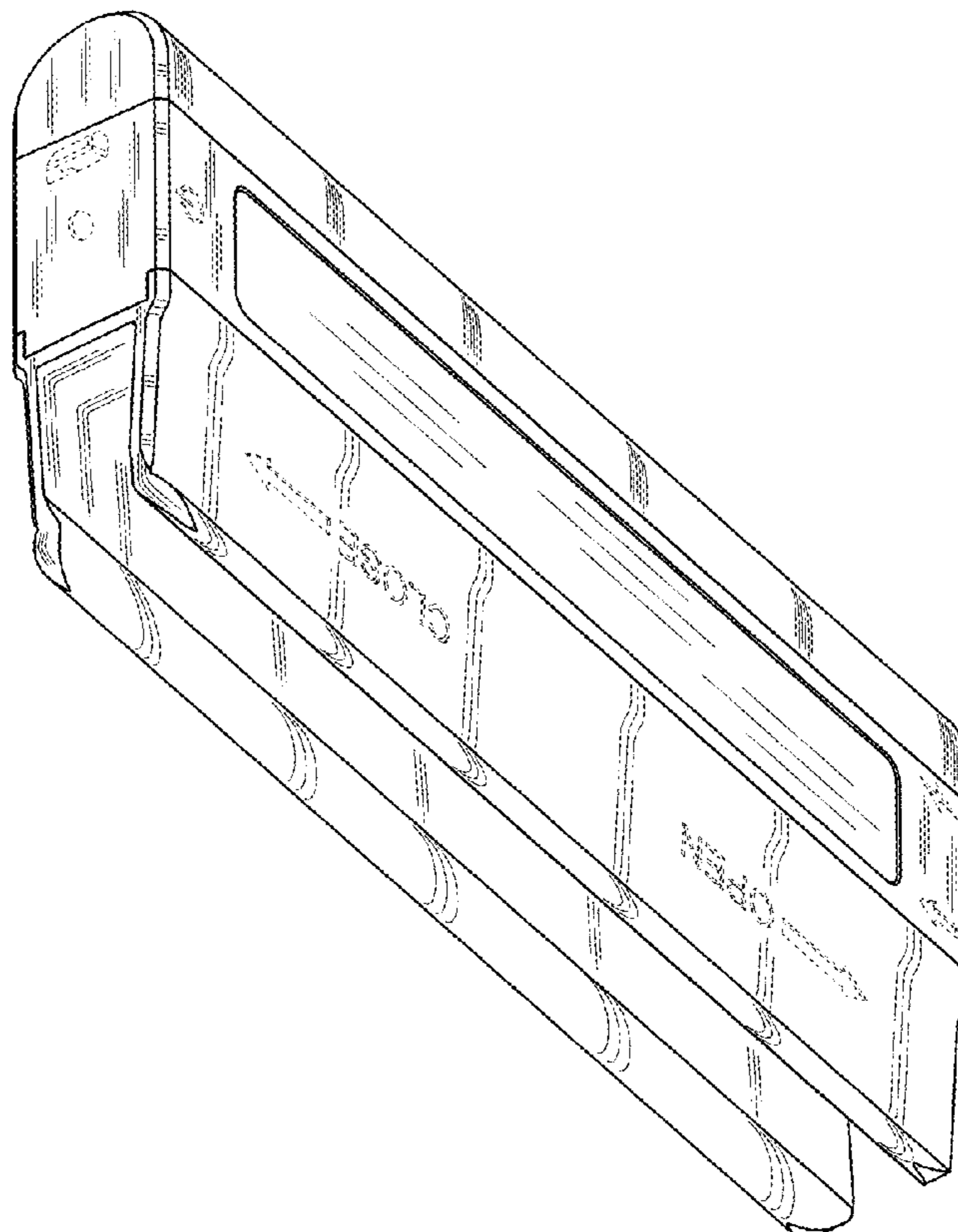
(57) **CLAIM**

The ornamental design for a clip-on lamp, as shown and described.

DESCRIPTION

FIG. 1 is a front elevational view of a clip-on lamp showing our new design;
FIG. 2 is a rear elevational view thereof;
FIG. 3 is a top plan view thereof;
FIG. 4 is a bottom plan view thereof;
FIG. 5 is a right side view thereof;
FIG. 6 is a left side view thereof;
FIG. 7 is a first perspective view thereof; and,
FIG. 8 is a second perspective view thereof.
The broken lines in the views represent portions of the lamp which form no part of the claimed design.

1 Claim, 8 Drawing Sheets



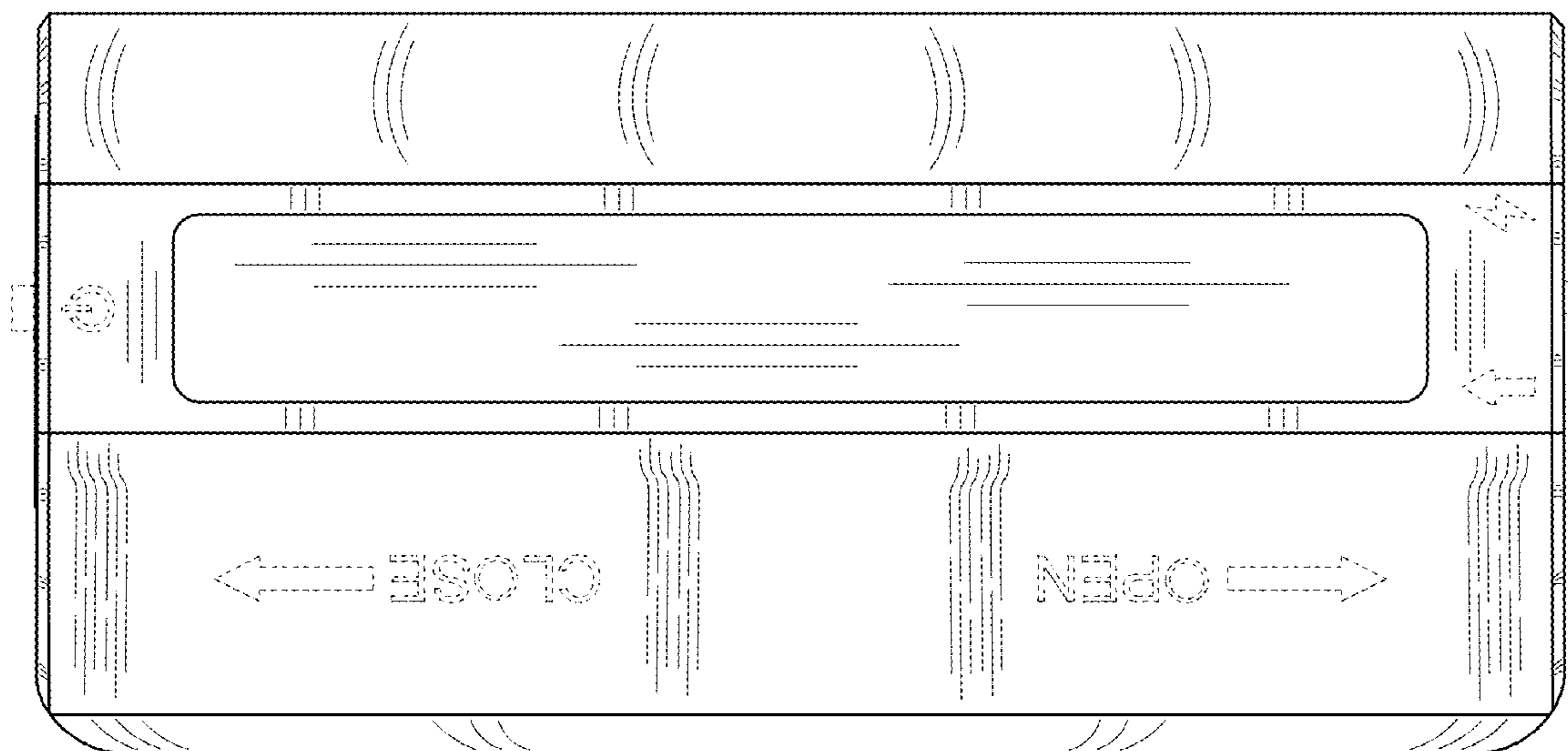


Fig. 1

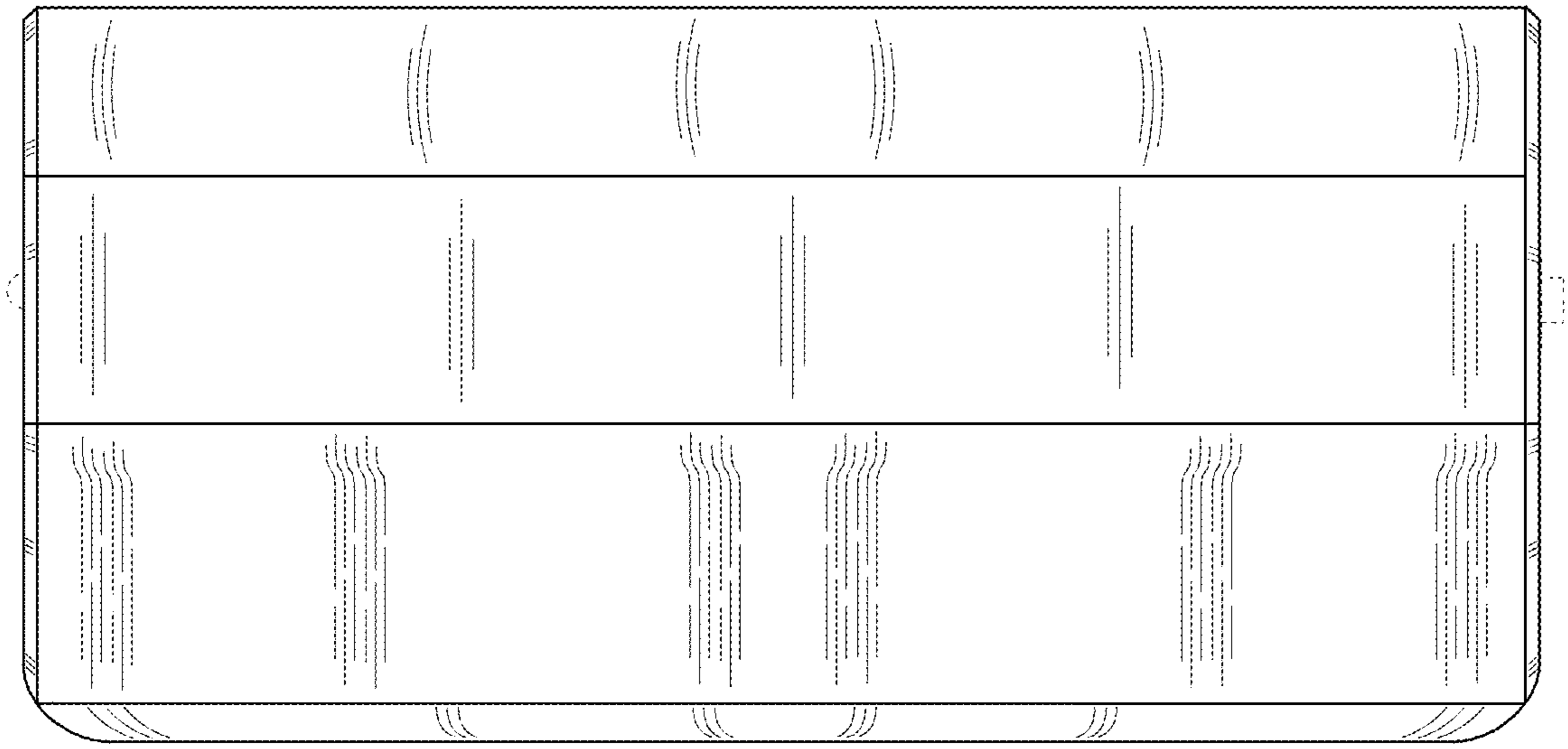


Fig. 2

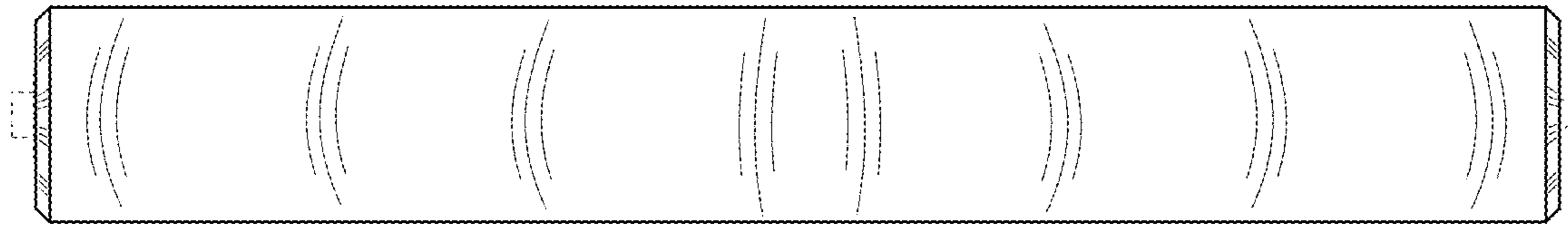


Fig. 3

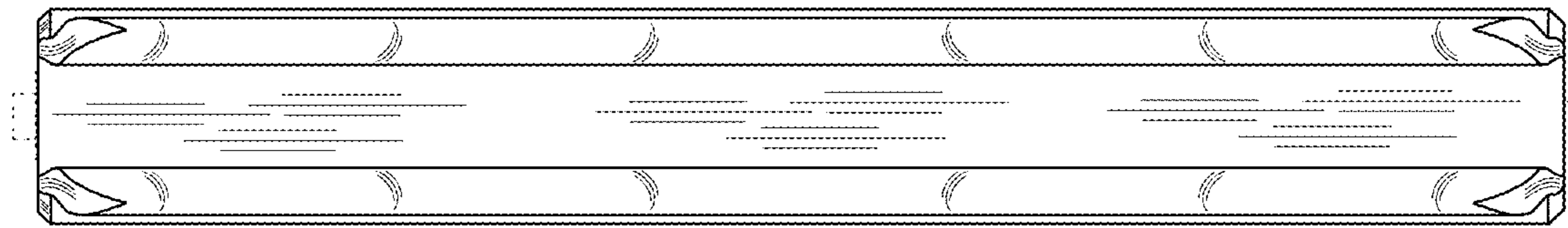


Fig. 4

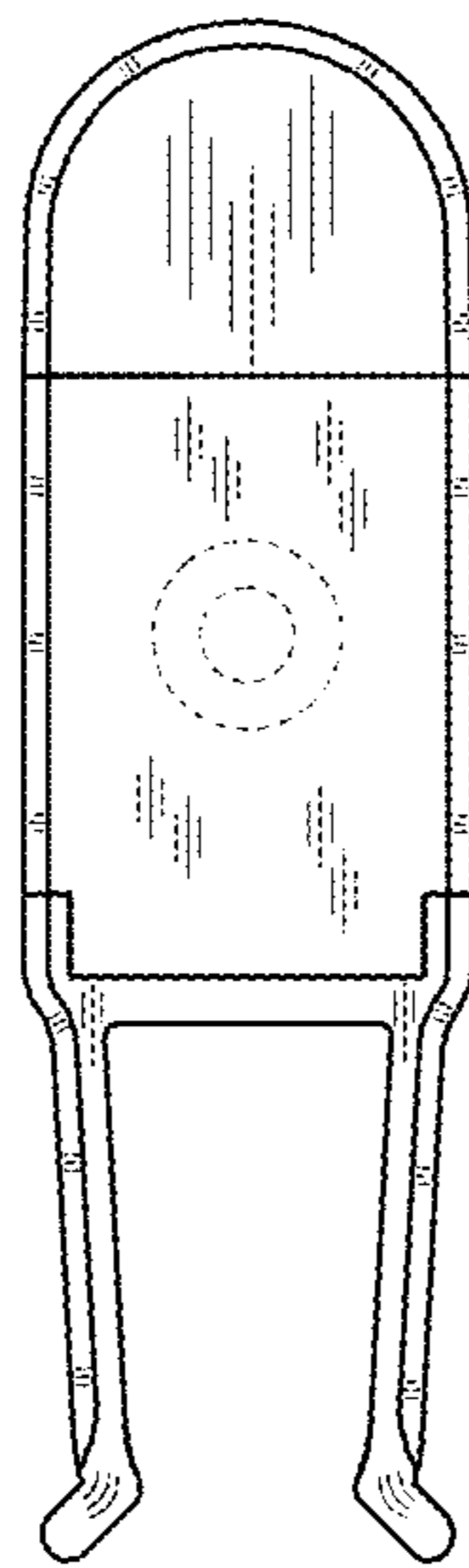


Fig. 5

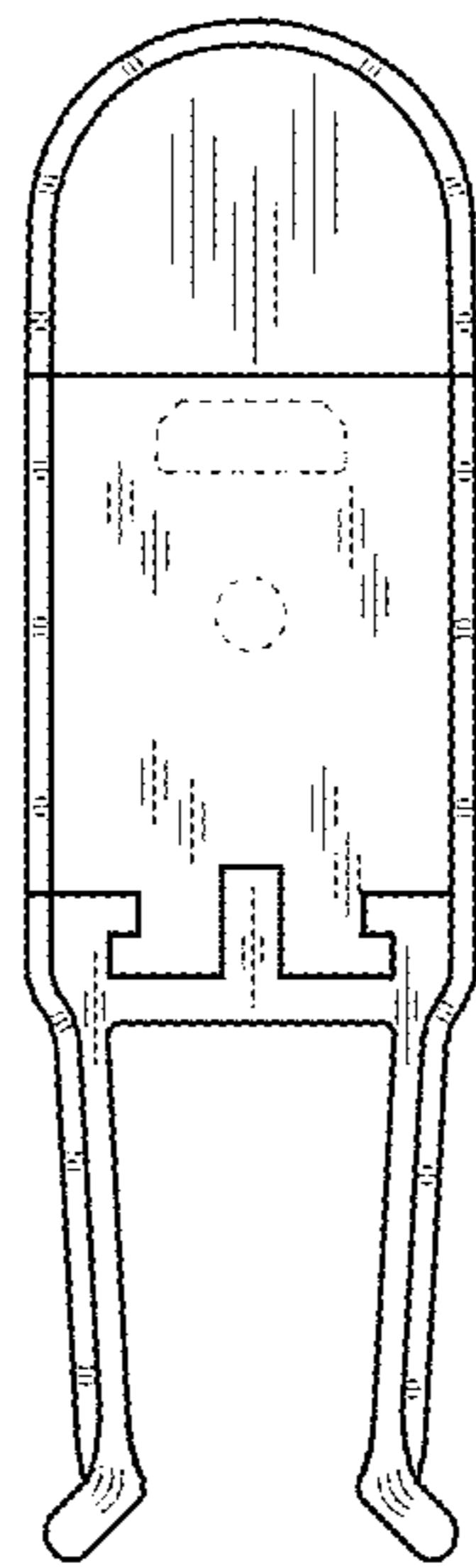


Fig. 6

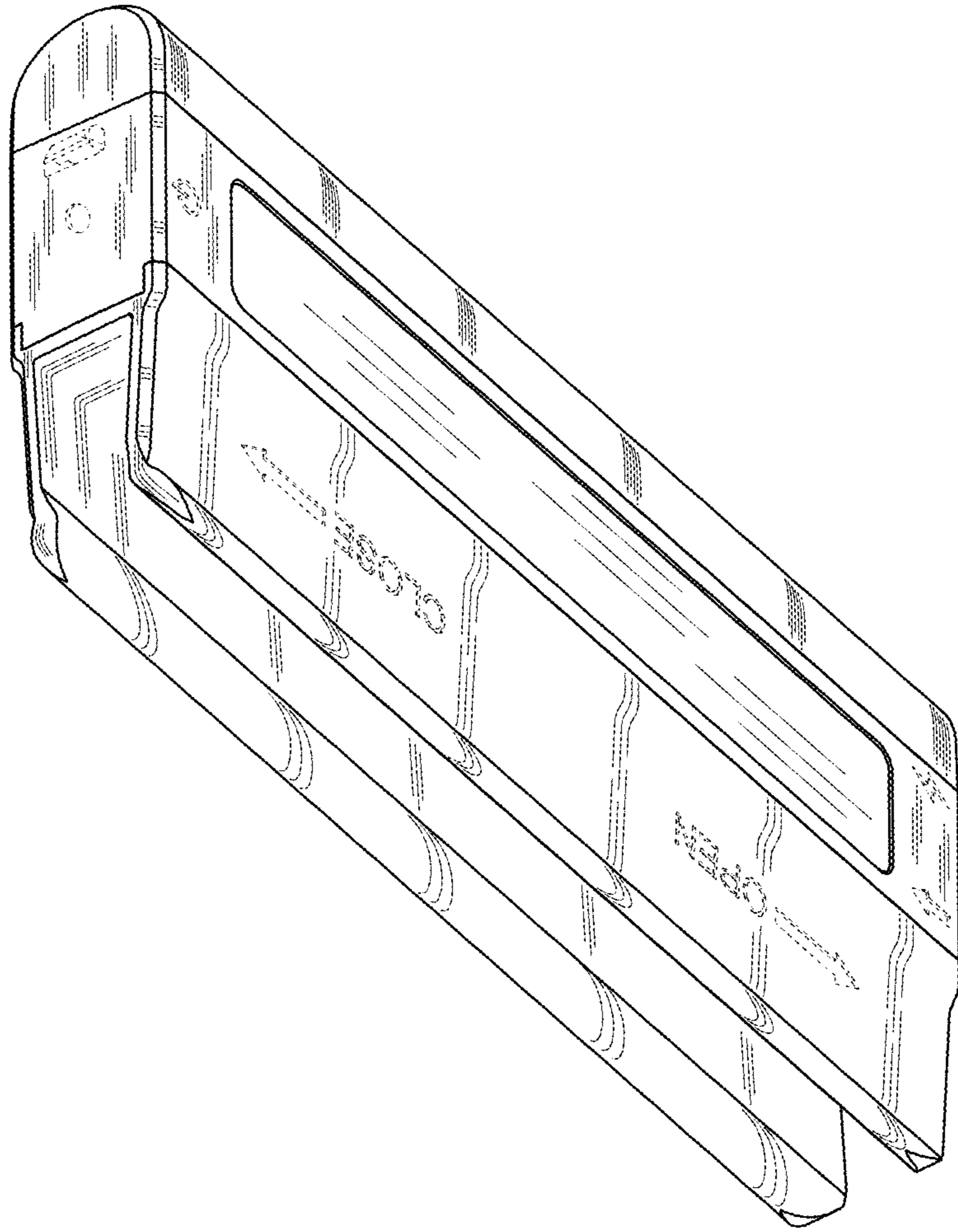


Fig. 7

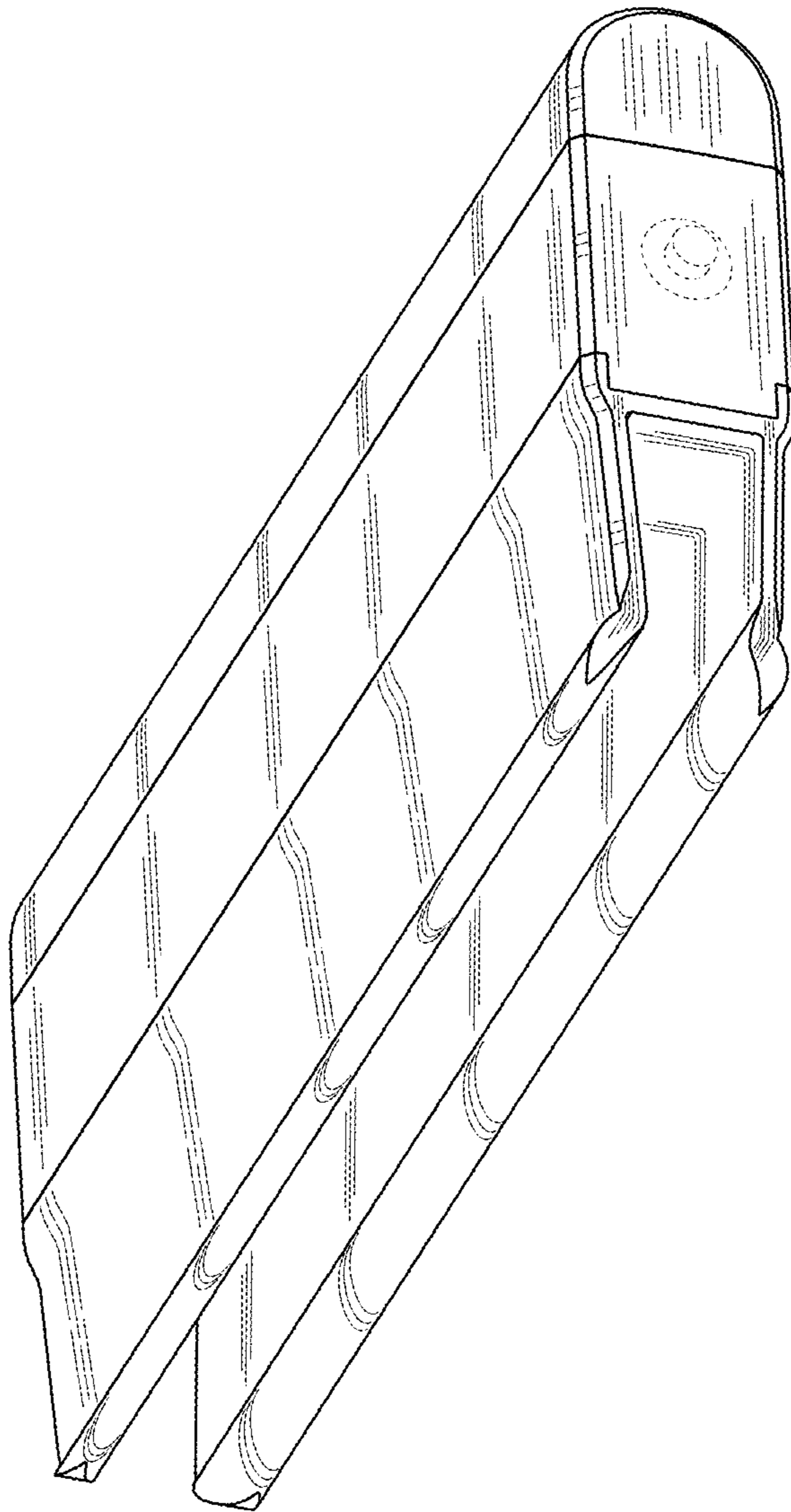


Fig. 8