



US00D787727S

(12) **United States Design Patent** (10) **Patent No.:** **US D787,727 S**
Lai (45) **Date of Patent:** **** May 23, 2017**

(54) **VEHICLE HEADLIGHT**
(71) Applicant: **Ching-Tsung Lai**, Tainan (TW)
(72) Inventor: **Ching-Tsung Lai**, Tainan (TW)
(**) Term: **15 Years**
(21) Appl. No.: **29/565,876**
(22) Filed: **May 25, 2016**
(51) **LOC (10) Cl.** **26-07**
(52) **U.S. Cl.**
USPC **D26/28**
(58) **Field of Classification Search**
USPC D26/28-36; 362/459-468, 475-478,
362/485-487
CPC F21S 48/00; F21S 48/10; F21S 48/115;
F21S 48/225; F21S 48/1233; F21S
48/1266; F21S 48/1388; F21S 48/2268;
F21V 21/04
See application file for complete search history.

(56) **References Cited**
U.S. PATENT DOCUMENTS
D586,019 S * 2/2009 Hsu D26/28
D674,938 S * 1/2013 Lai D26/28

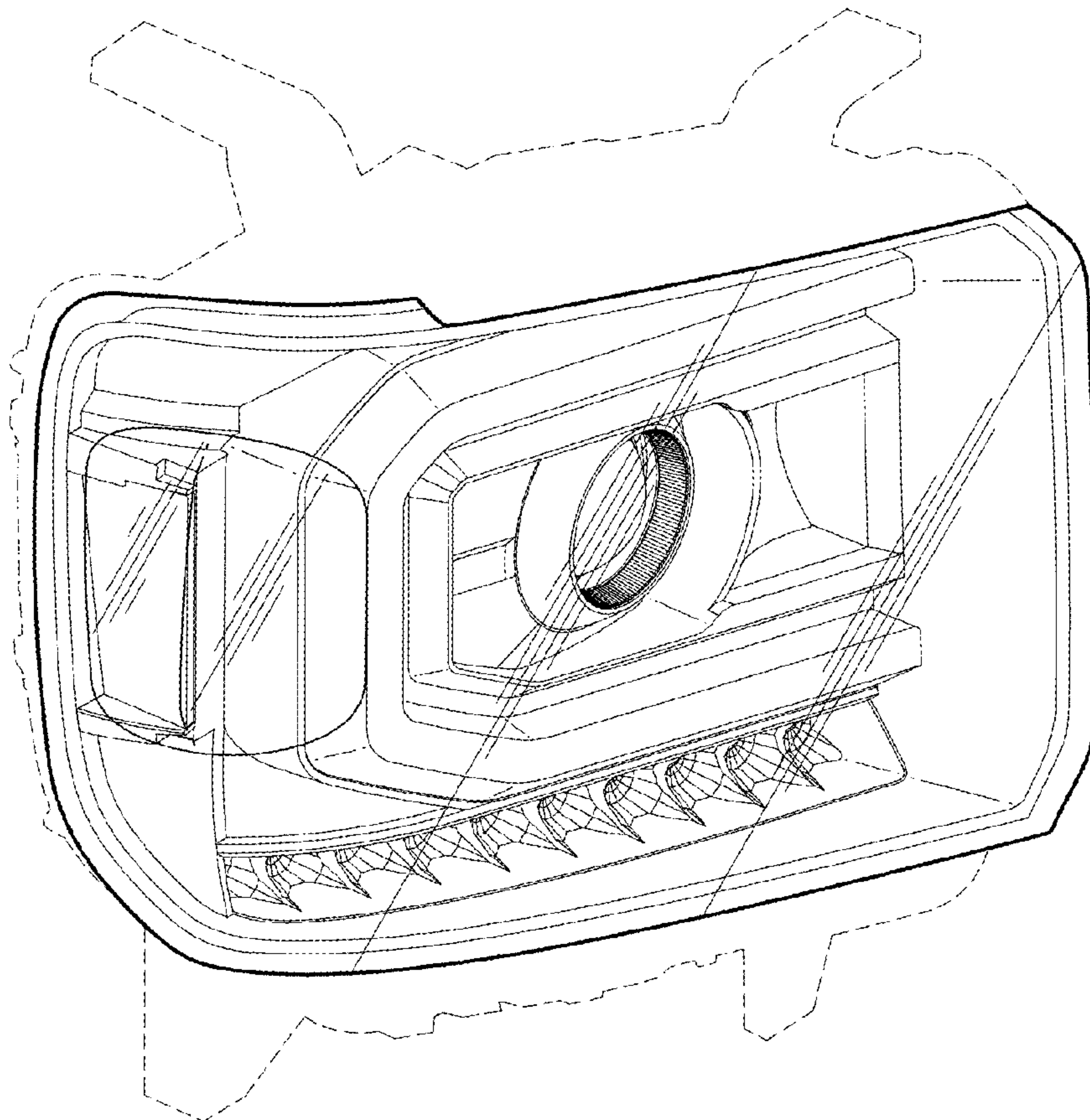
D674,941 S * 1/2013 Lai D26/28
D677,409 S * 3/2013 Binder D26/28
D685,116 S * 6/2013 Kido D26/28
D707,860 S * 6/2014 Futschik D26/28
D737,484 S * 8/2015 Lai D26/28
D743,071 S * 11/2015 Kao D26/28
D746,496 S * 12/2015 Loeb D26/28
D751,737 S * 3/2016 Lai D26/28
D761,461 S * 7/2016 Lai D26/28
D761,463 S * 7/2016 Lai D26/28
D774,669 S * 12/2016 Lai D26/28

* cited by examiner
Primary Examiner — Angela J Lee
(74) *Attorney, Agent, or Firm* — Alexander Chen, Esq.

(57) **CLAIM**
The ornamental design for a vehicle headlight, as shown and described.

DESCRIPTION
FIG. 1 is a perspective view of a vehicle headlight;
FIG. 2 is a front view thereof;
FIG. 3 is a side view thereof; and,
FIG. 4 is a top view thereof.
The drawings and descriptions disclose a first embodiment showing a left side and the claim includes a mirror image embodiment. The broken lines in the drawings are included to show environment and form no part of the claimed design.

1 Claim, 4 Drawing Sheets



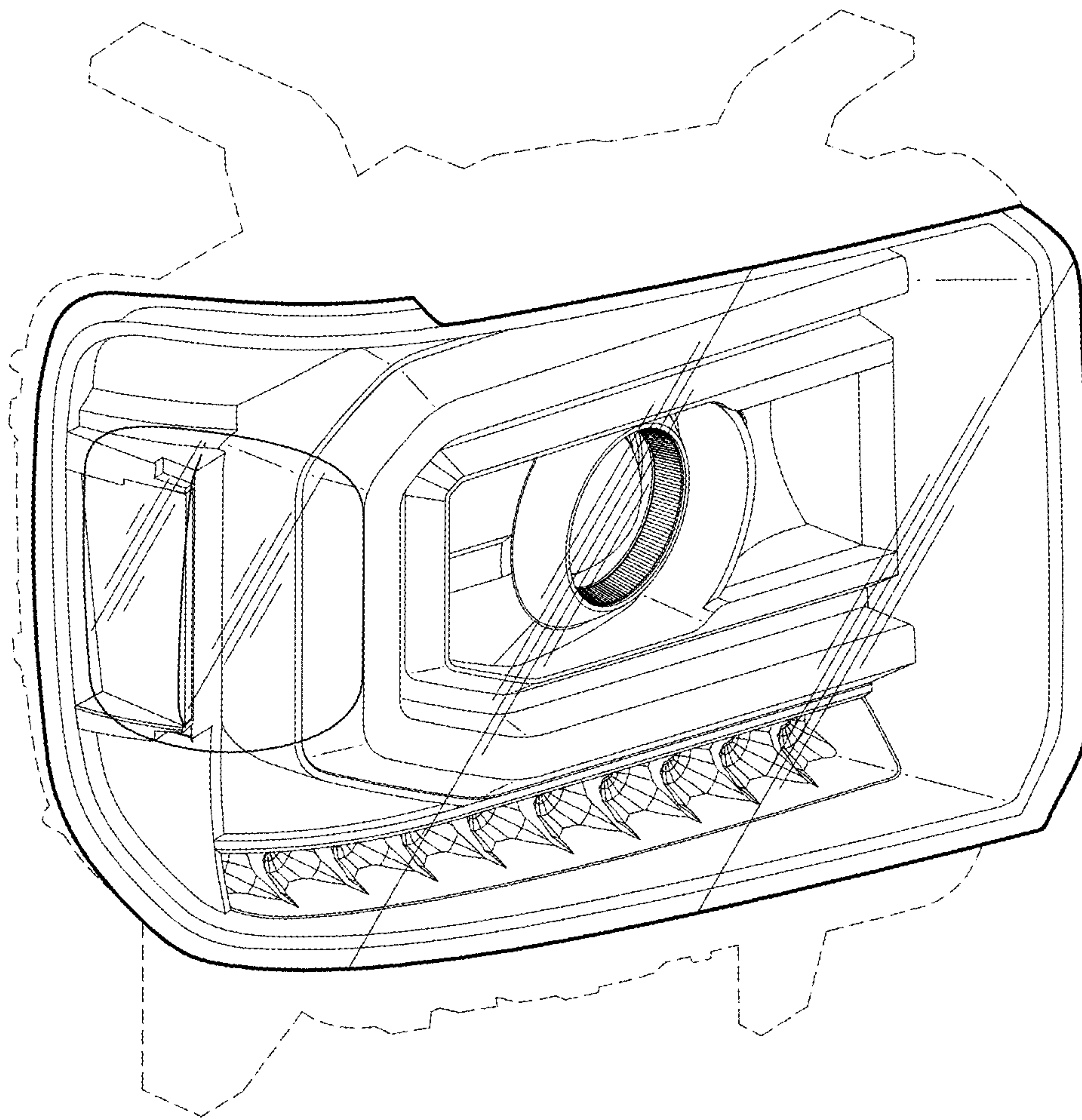


FIG. 1

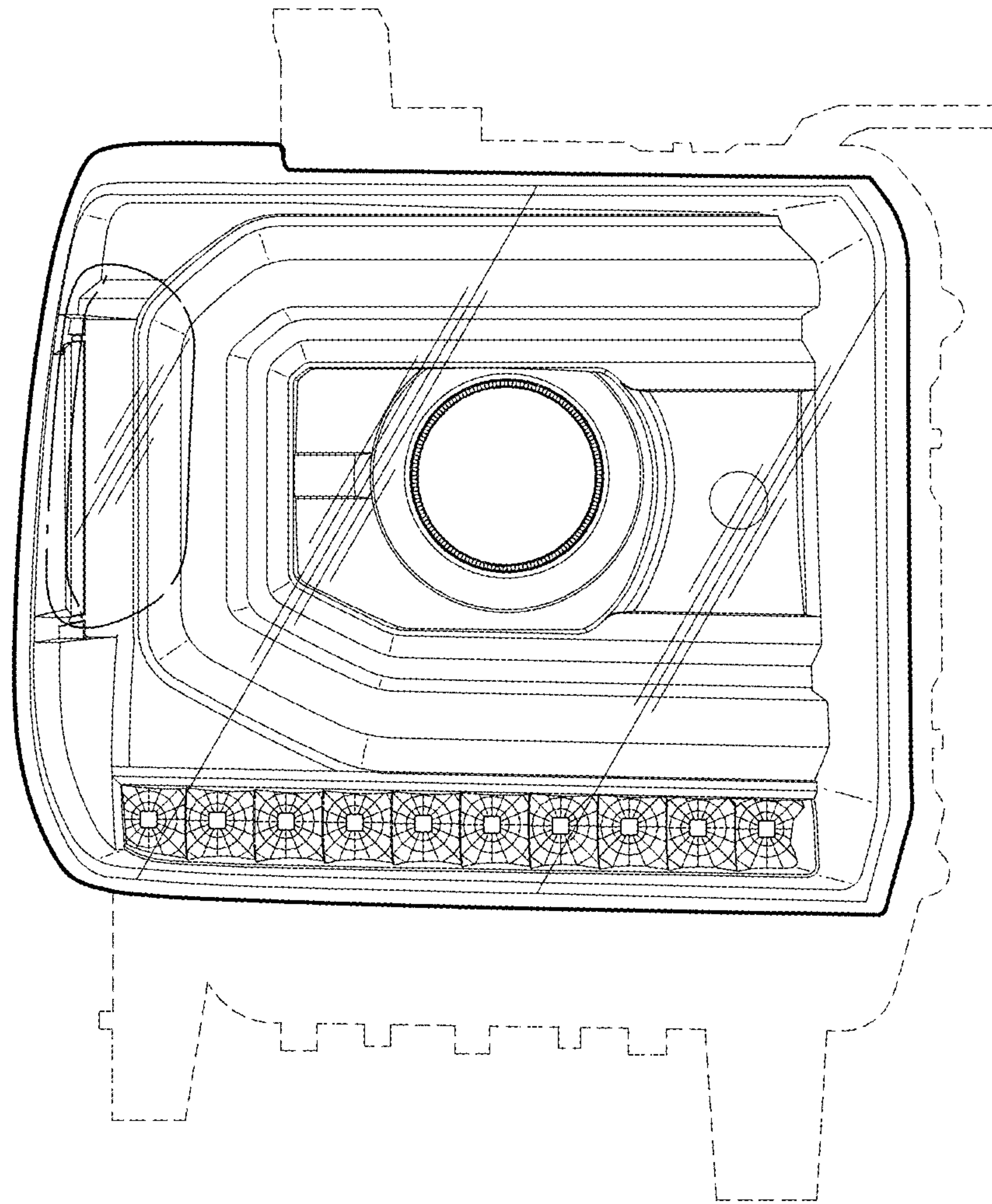


FIG. 2

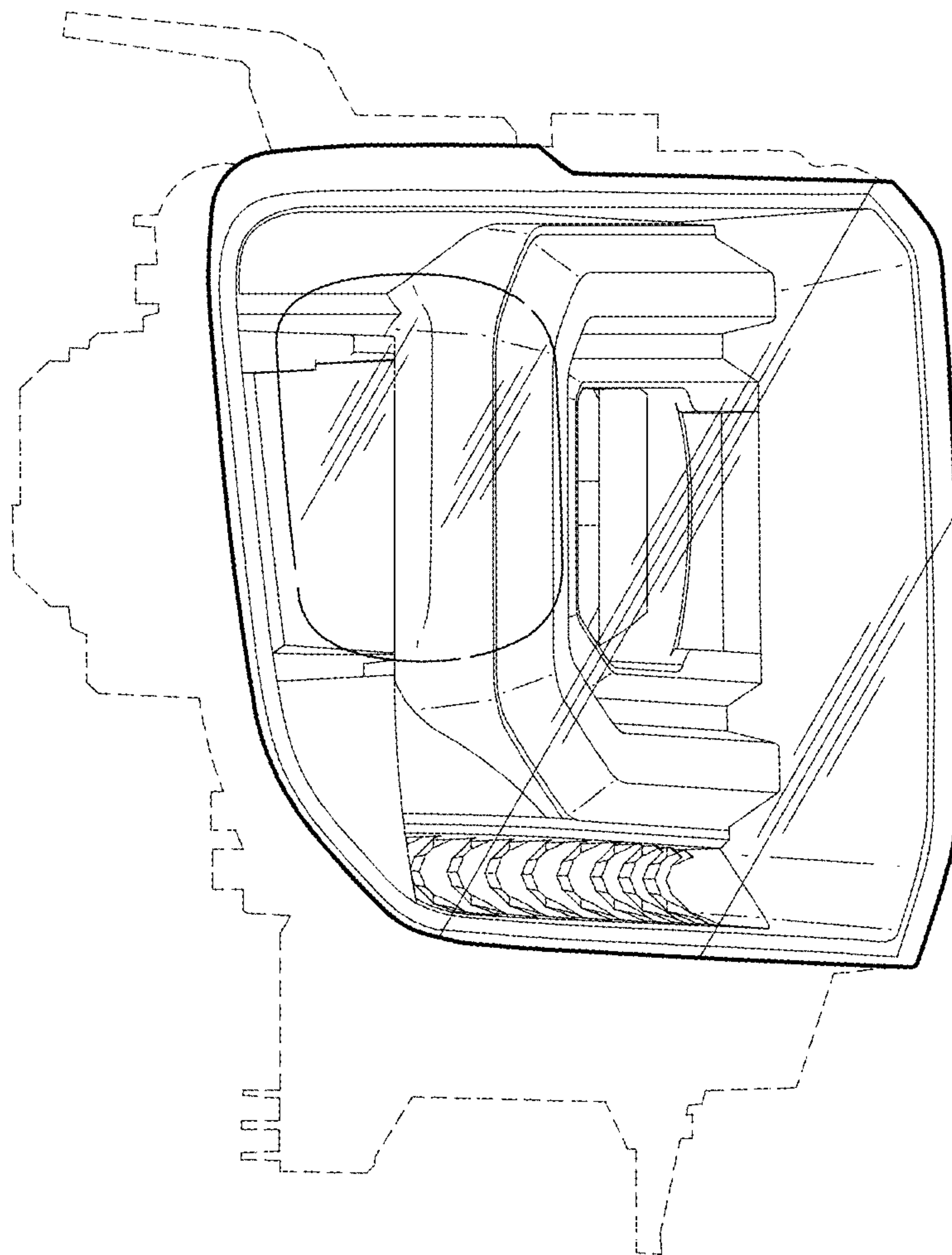


FIG. 3



FIG. 4