



US00D787726S

(12) **United States Design Patent**  
**Hong et al.**

(10) **Patent No.:** **US D787,726 S**  
(45) **Date of Patent:** **\*\* May 23, 2017**

(54) **HEAD LAMP FOR AN AUTOMOBILE**

(71) Applicant: **Hyundai Motor Company**, Seoul (KR)

(72) Inventors: **Wan Hee Hong**, Gyeonggi-do (KR);  
**Seung Jin Kim**, Gyeonggi-do (KR)

(73) Assignee: **Hyundai Motor Company**, Seoul (KR)

(\*\*) Term: **15 Years**

(21) Appl. No.: **29/561,829**

(22) Filed: **Apr. 20, 2016**

(30) **Foreign Application Priority Data**

Oct. 21, 2015 (KR) ..... 30-2015-0053056

(51) **LOC (10) Cl.** ..... **26-06**

(52) **U.S. Cl.**  
USPC ..... **D26/28**

(58) **Field of Classification Search**  
USPC ..... D26/28-36; 362/80-83, 267-269,  
362/459-468, 475-478, 485-487  
CPC ..... F21S 48/00; F21S 48/10; F21S 48/115;  
F21S 48/1233; F21S 48/1266; F21S  
48/1388; F21S 48/2268; F21V 21/04

See application file for complete search history.

(56) **References Cited**

U.S. PATENT DOCUMENTS

D544,614 S *	6/2007	Markefka	.....	D26/28
D561,358 S *	2/2008	Tachibana	.....	D26/28
D569,533 S *	5/2008	Hsu	.....	D26/28
D570,014 S *	5/2008	Hsu	.....	D26/28
D570,016 S *	5/2008	Hsu	.....	D26/28
D582,587 S *	12/2008	Yang	.....	D26/28

\* cited by examiner

*Primary Examiner* — Marcus Jackson

(74) *Attorney, Agent, or Firm* — Mintz Levin Cohn Ferris  
Glovsky and Popeo, P.C.; Kongsik Kim

(57) **CLAIM**

The ornamental design for a head lamp for an automobile,  
as shown and described.

**DESCRIPTION**

FIG. 1 is a perspective view of a head lamp for an automo-  
bile according to the present invention.

FIG. 2 is a front view of the head lamp thereof.

FIG. 3 is a rear view of the head lamp thereof.

FIG. 4 is a left side view of the head lamp thereof.

FIG. 5 is a right side view of the head lamp thereof.

FIG. 6 is a top view of the head lamp thereof; and,

FIG. 7 is a bottom view of the head lamp thereof.

**1 Claim, 7 Drawing Sheets**

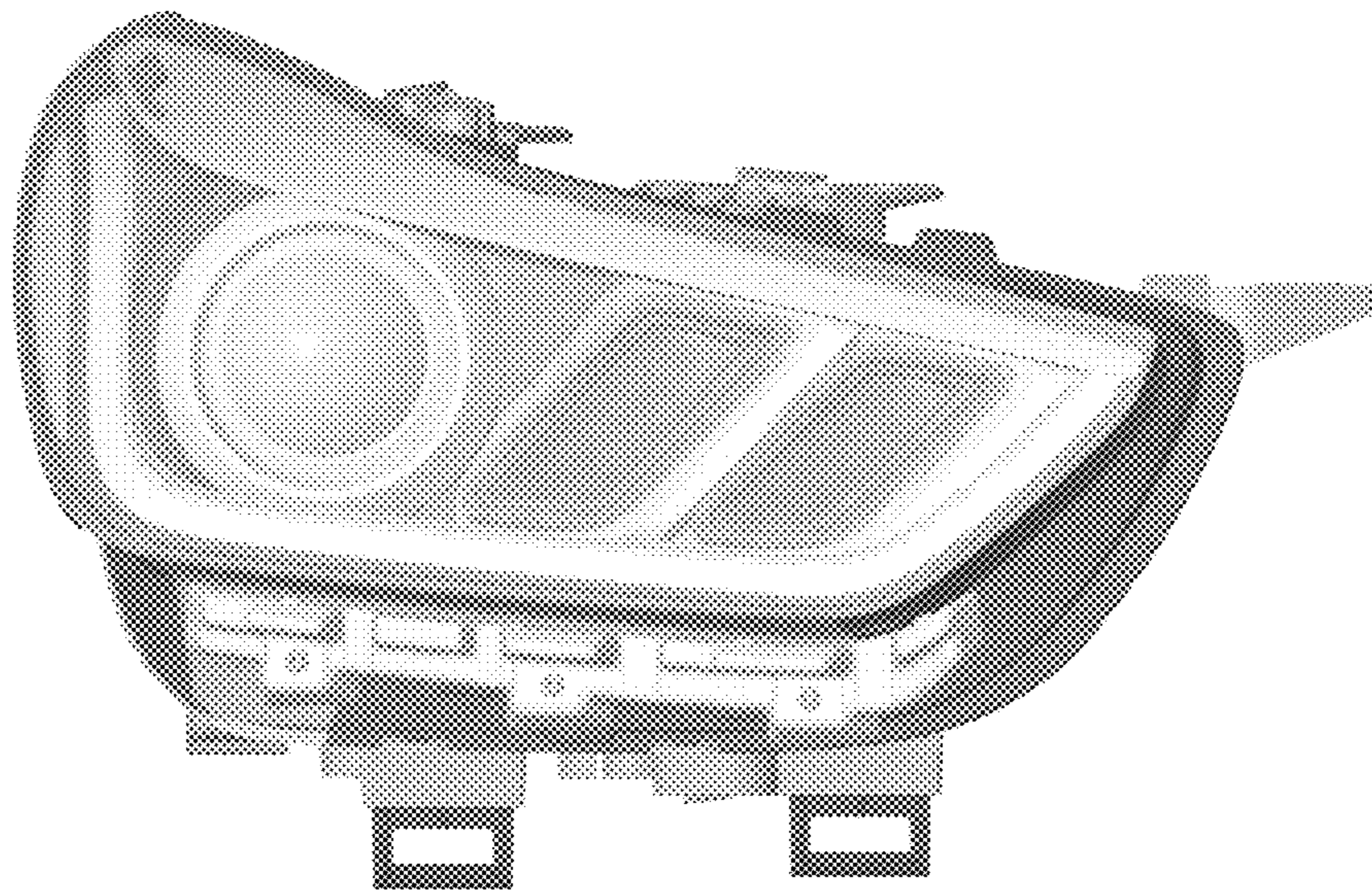


**FIG. 1**

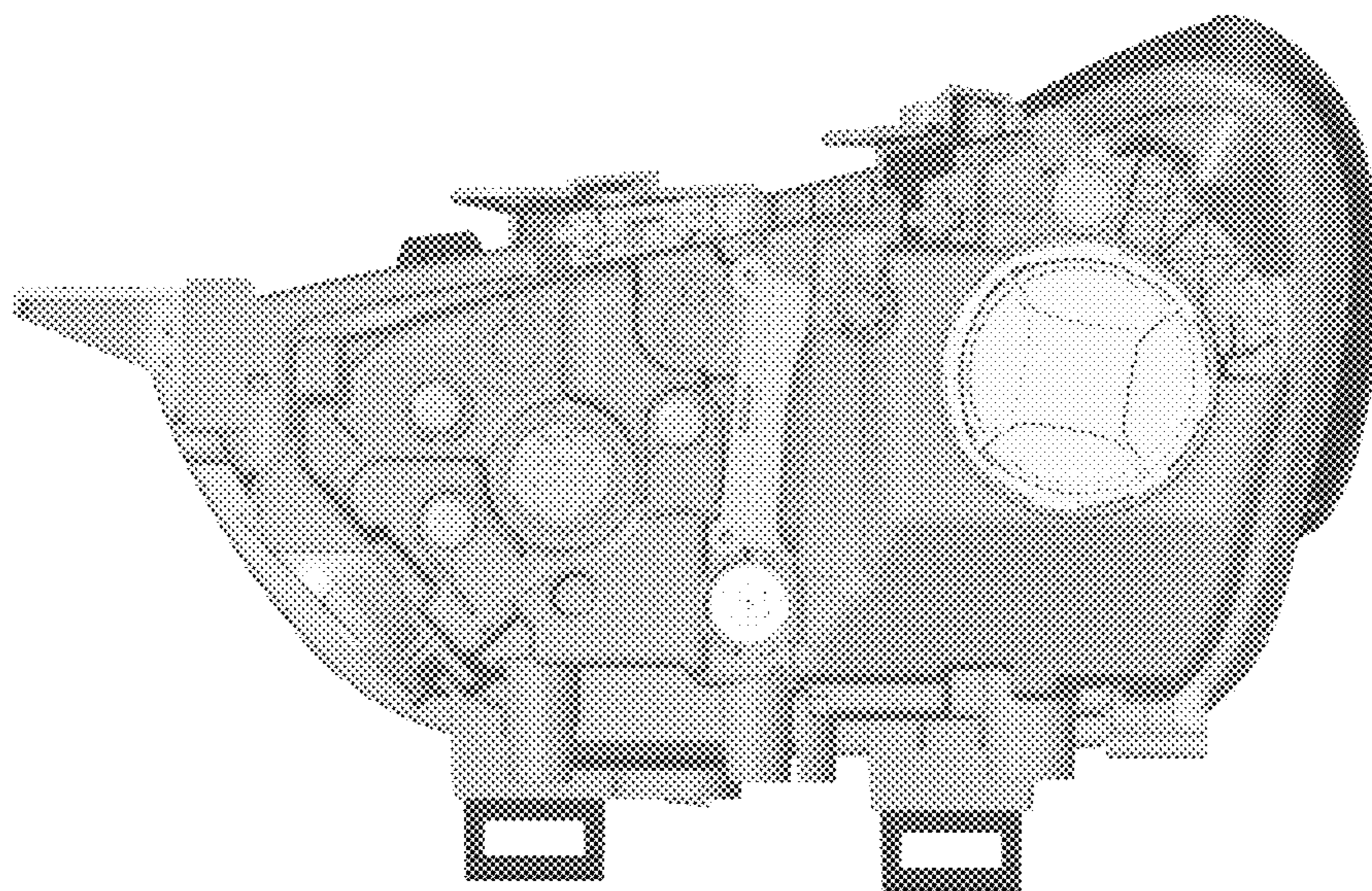




**FIG. 2**

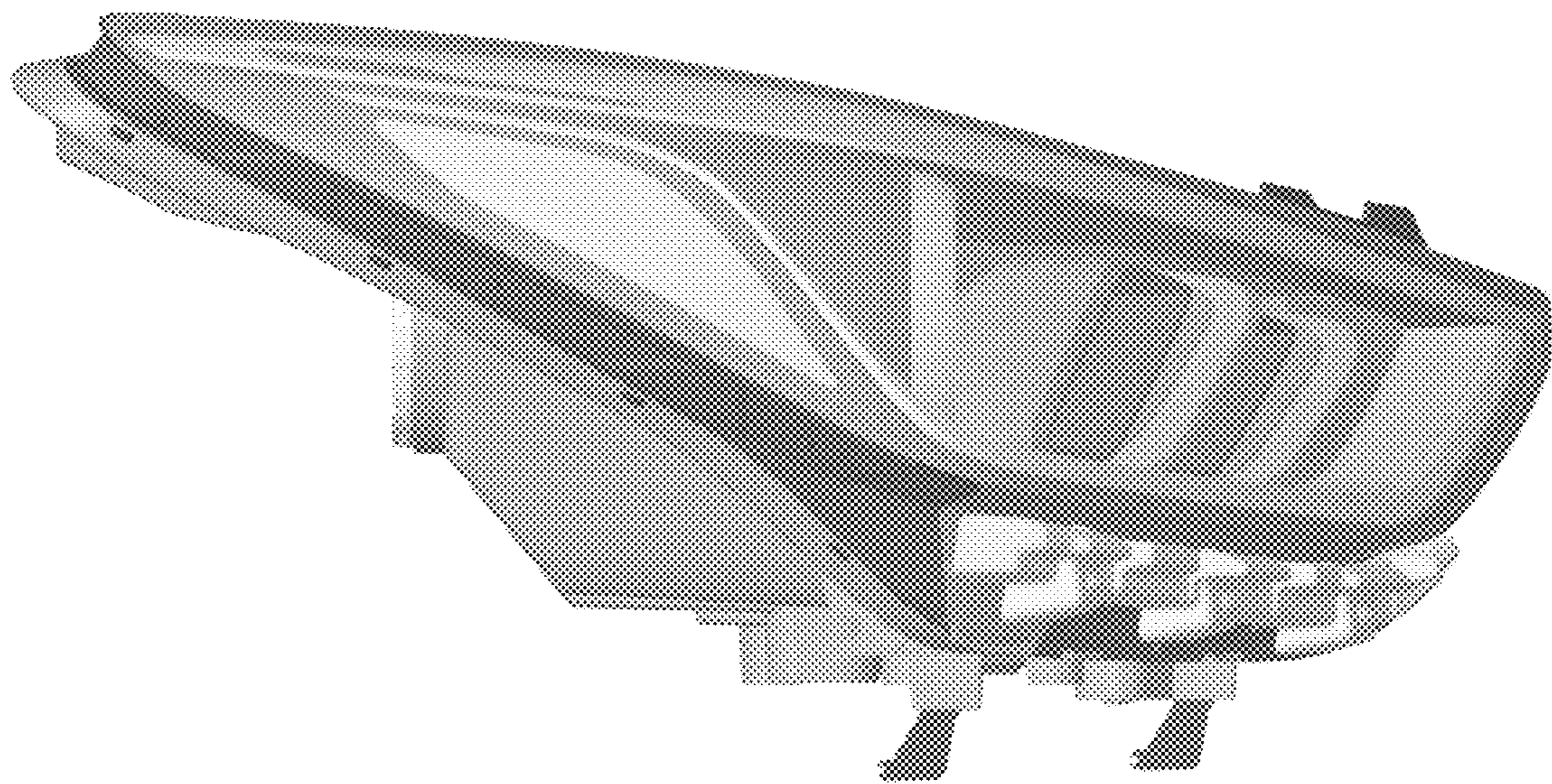


**FIG. 3**

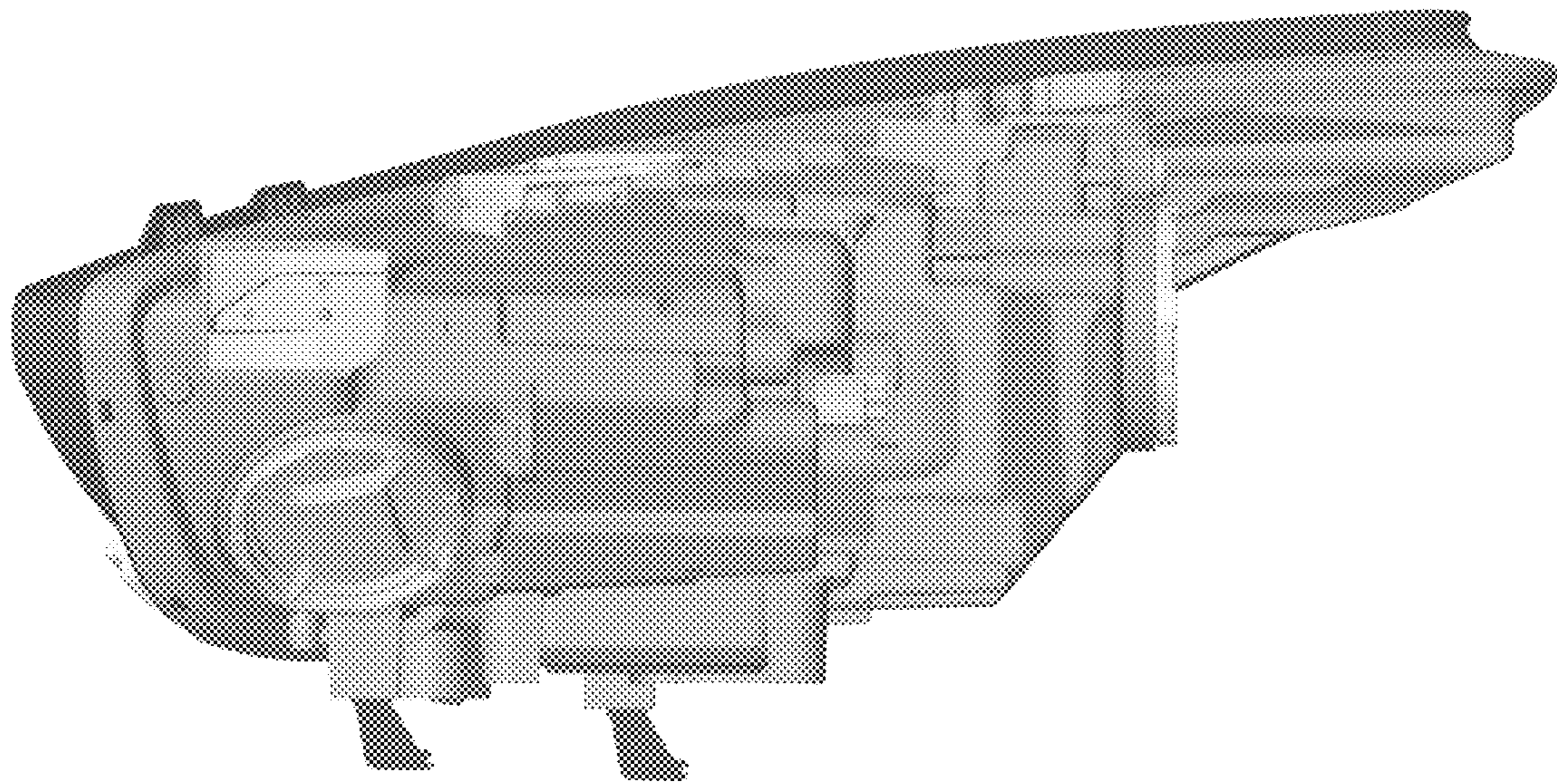




**FIG. 4**

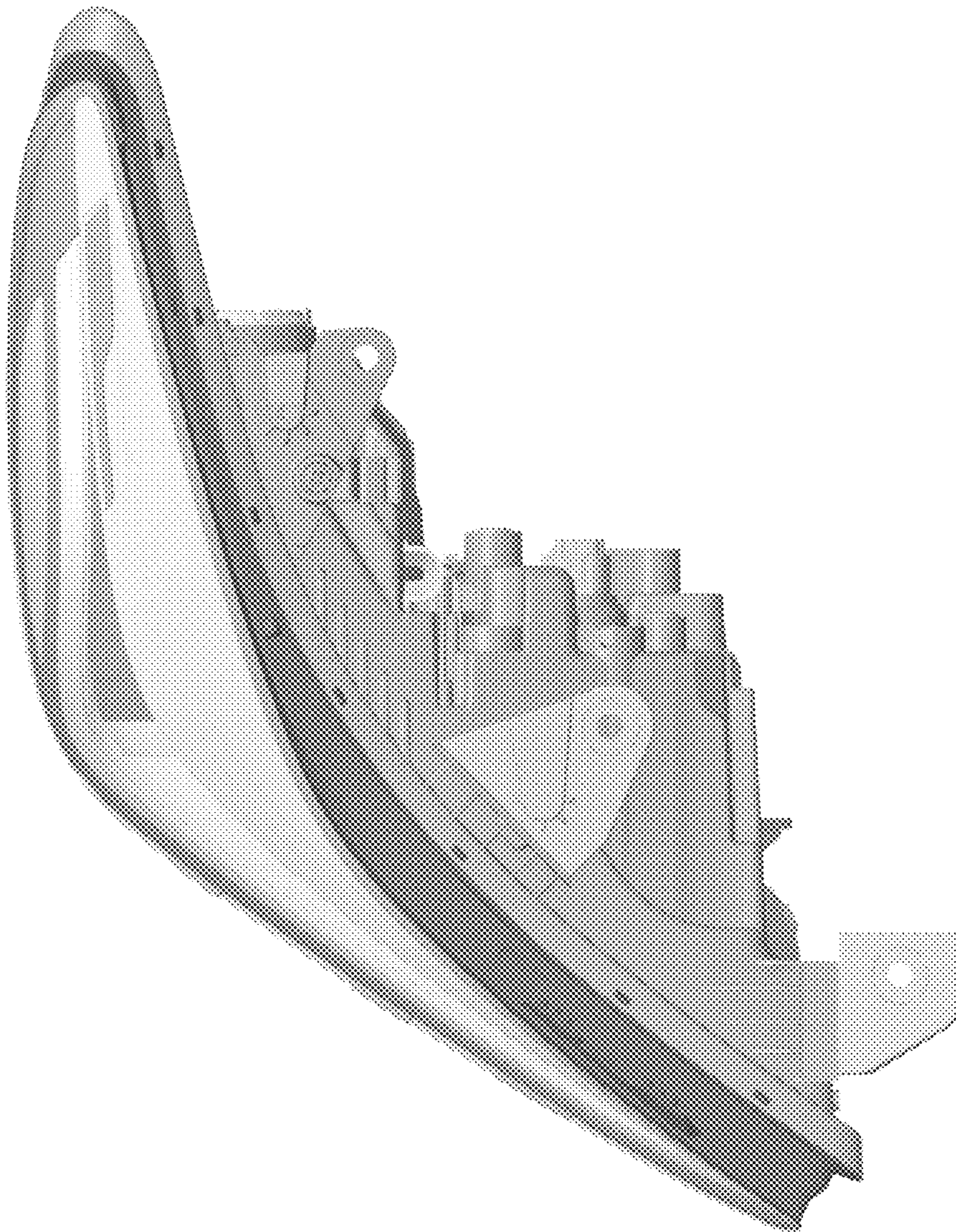


**FIG. 5**





**FIG. 6**



**FIG. 7**

