



US00D787725S

(12) **United States Design Patent** (10) **Patent No.:** **US D787,725 S**
Hong et al. (45) **Date of Patent:** **** May 23, 2017**

(54) **TURN SIGNAL LAMP FOR AN AUTOMOBILE**
(71) Applicant: **Hyundai Motor Company**, Seoul (KR)
(72) Inventors: **Wan Hee Hong**, Gyeonggi-do (KR);
Seung Jin Kim, Gyeonggi-do (KR)
(73) Assignee: **Hyundai Motor Company**, Seoul (KR)
(**) Term: **15 Years**
(21) Appl. No.: **29/561,826**
(22) Filed: **Apr. 20, 2016**
(30) **Foreign Application Priority Data**
Oct. 21, 2015 (KR) 30-2015-0053057
(51) **LOC (10) Cl.** **26-06**
(52) **U.S. Cl.**
USPC **D26/28**
(58) **Field of Classification Search**
USPC D26/28-36; 362/80-83, 267-269,
362/459-468, 475-478, 485-487
CPC F21S 48/00; F21S 48/10; F21S 48/115;
F21S 48/1233; F21S 48/1266; F21S
48/1388; F21S 48/2268; F21V 21/04
See application file for complete search history.

(56) **References Cited**
U.S. PATENT DOCUMENTS
D445,924 S * 7/2001 Oh D26/28
D447,826 S * 9/2001 Kang D26/28
D451,218 S * 11/2001 Bernier D26/28
D500,153 S * 12/2004 Stephens D26/28
D630,354 S * 1/2011 Stephens D26/28

* cited by examiner
Primary Examiner — Marcus Jackson
(74) *Attorney, Agent, or Firm* — Mintz Levin Cohn Ferris
Glovsky and Popeo, P.C.; Kongsik Kim

(57) **CLAIM**
The ornamental design for a turn signal lamp for an auto-
mobile, as shown and described.

DESCRIPTION
FIG. 1 is a perspective view of a turn signal lamp for an
automobile according to the present invention.
FIG. 2 is a front view of the turn signal lamp thereof.
FIG. 3 is a rear view of the turn signal lamp thereof.
FIG. 4 is a left side view of the turn signal lamp thereof.
FIG. 5 is a right side view of the turn signal lamp thereof.
FIG. 6 is a top view of the turn signal lamp thereof; and,
FIG. 7 is a bottom view of the turn signal lamp thereof.

1 Claim, 7 Drawing Sheets

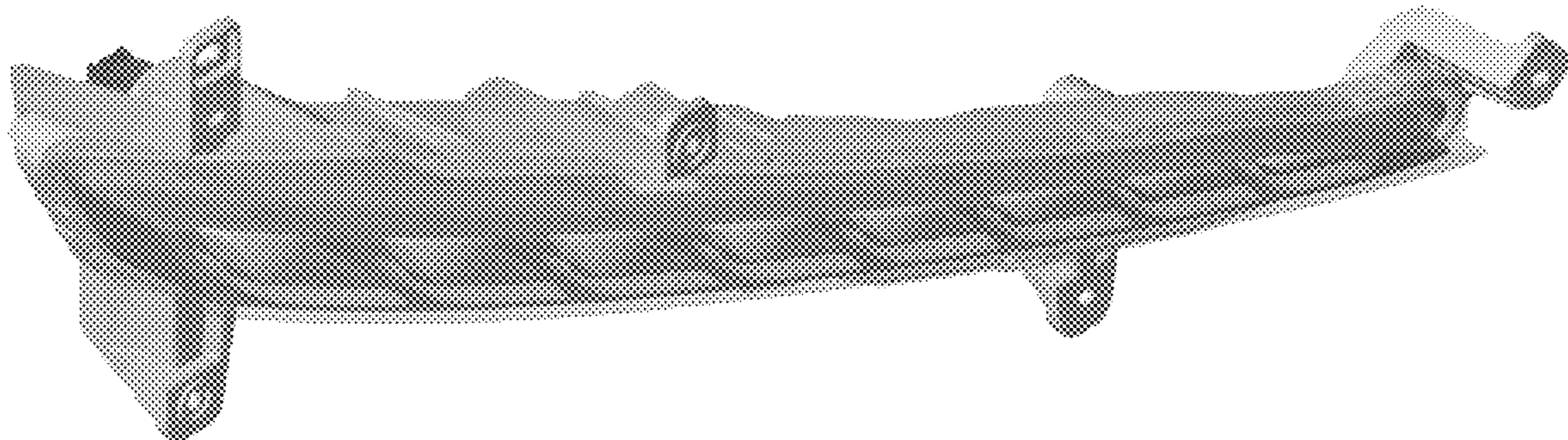


FIG. 1

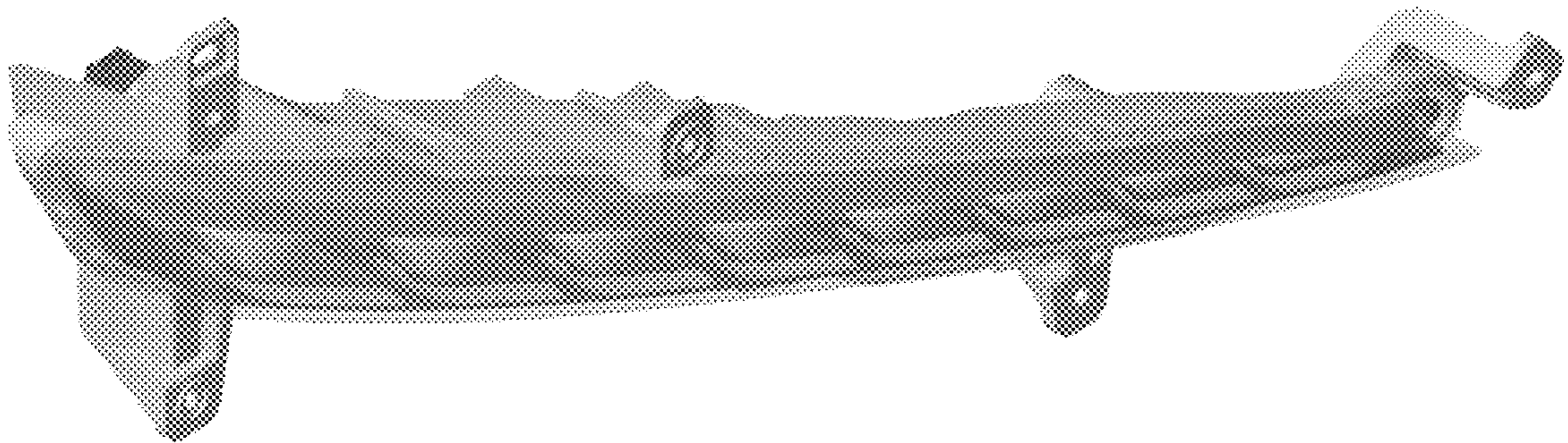


FIG. 2

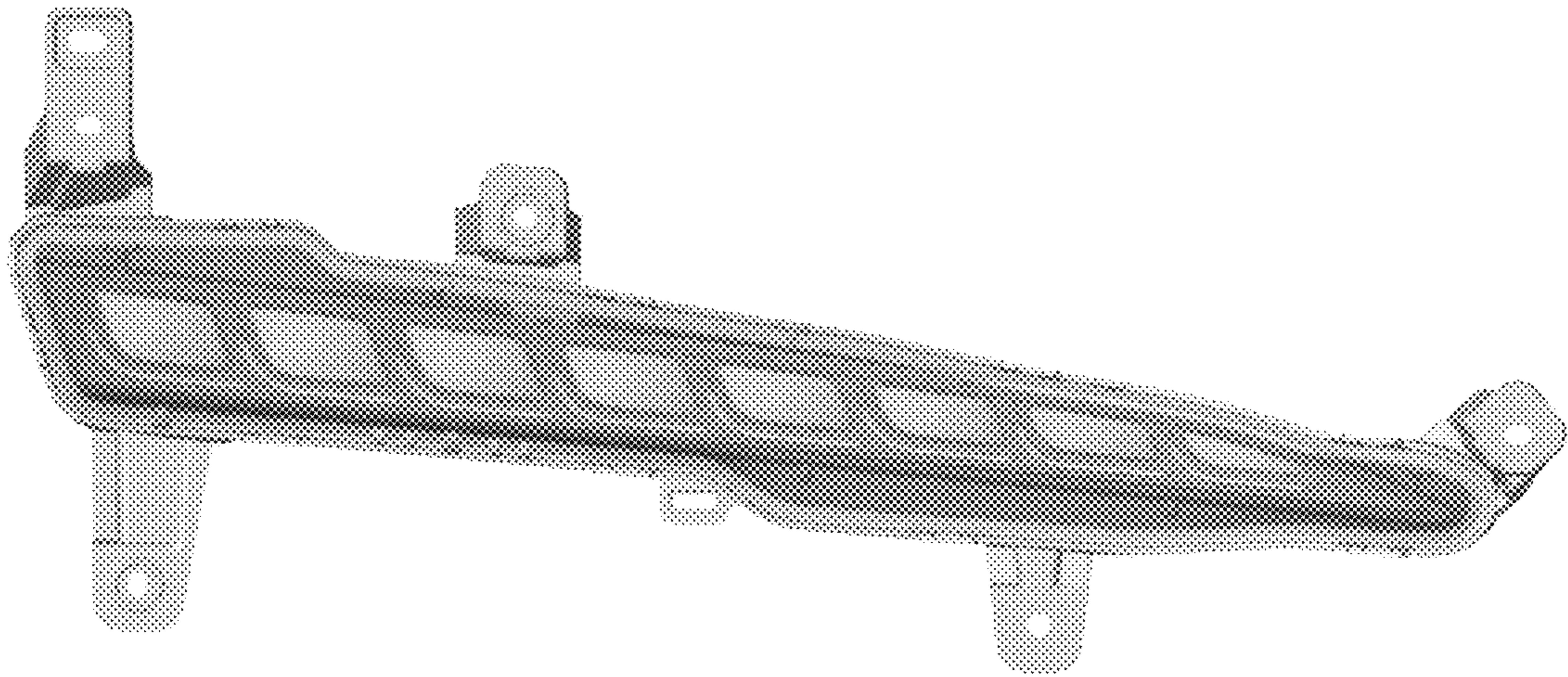


FIG. 3

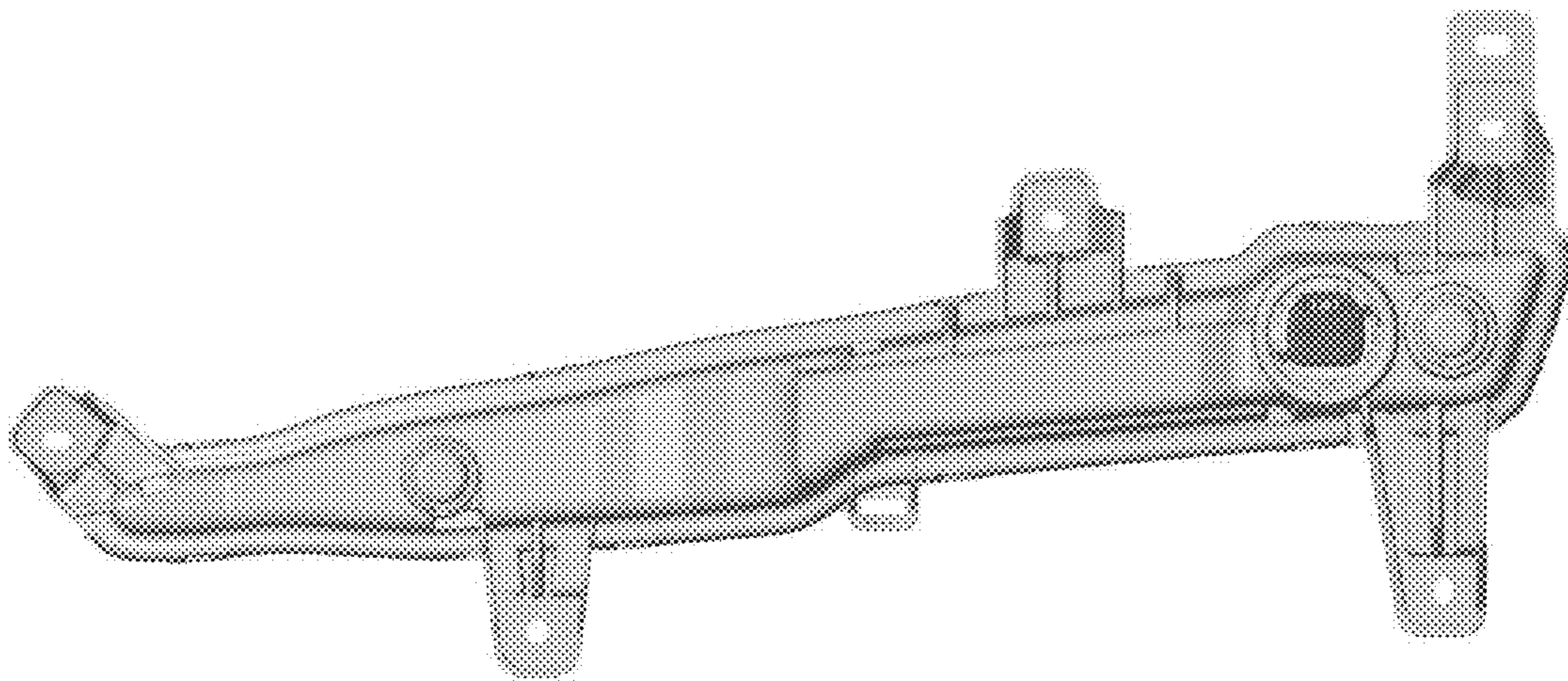


FIG. 4

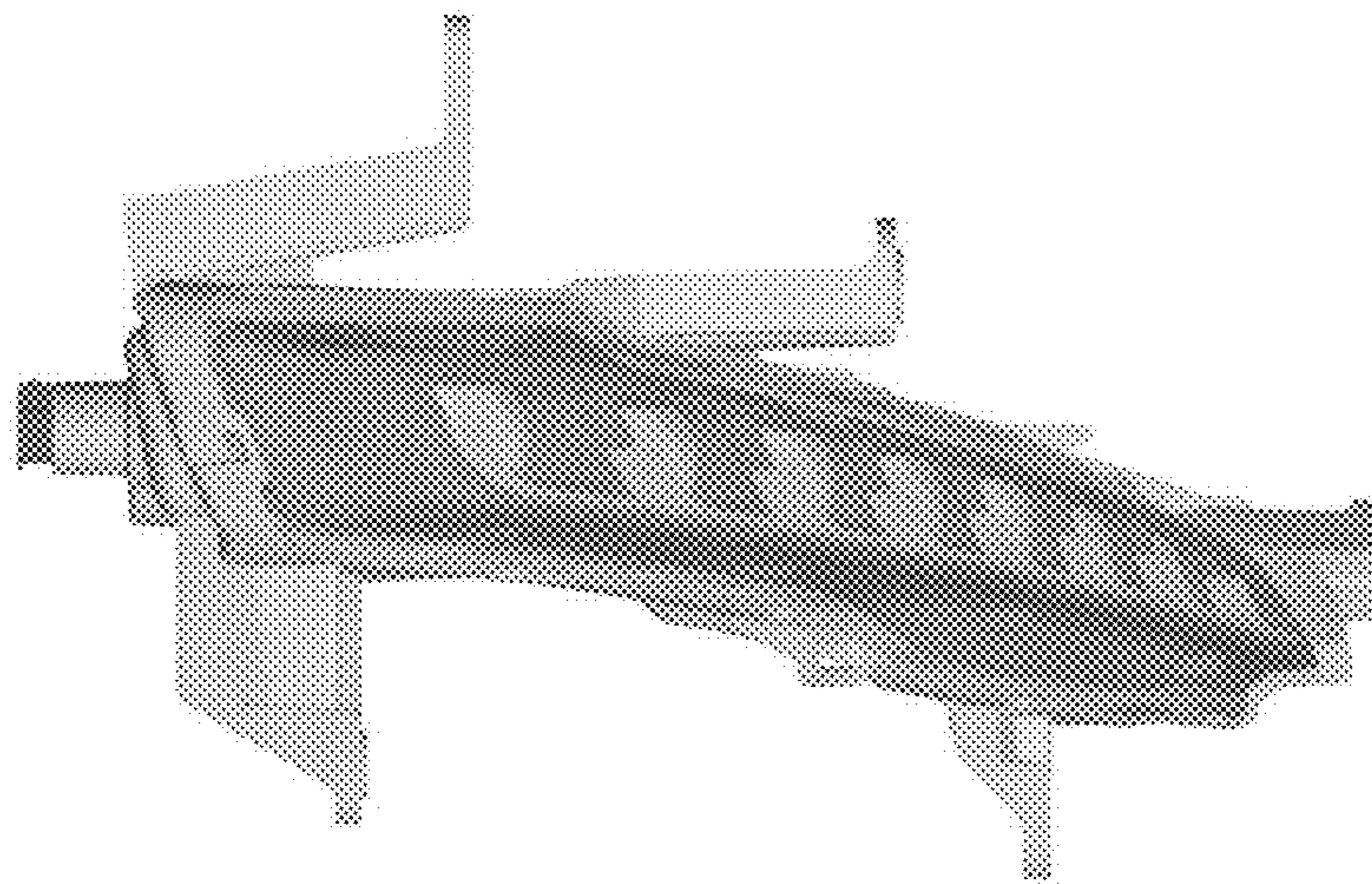


FIG. 5

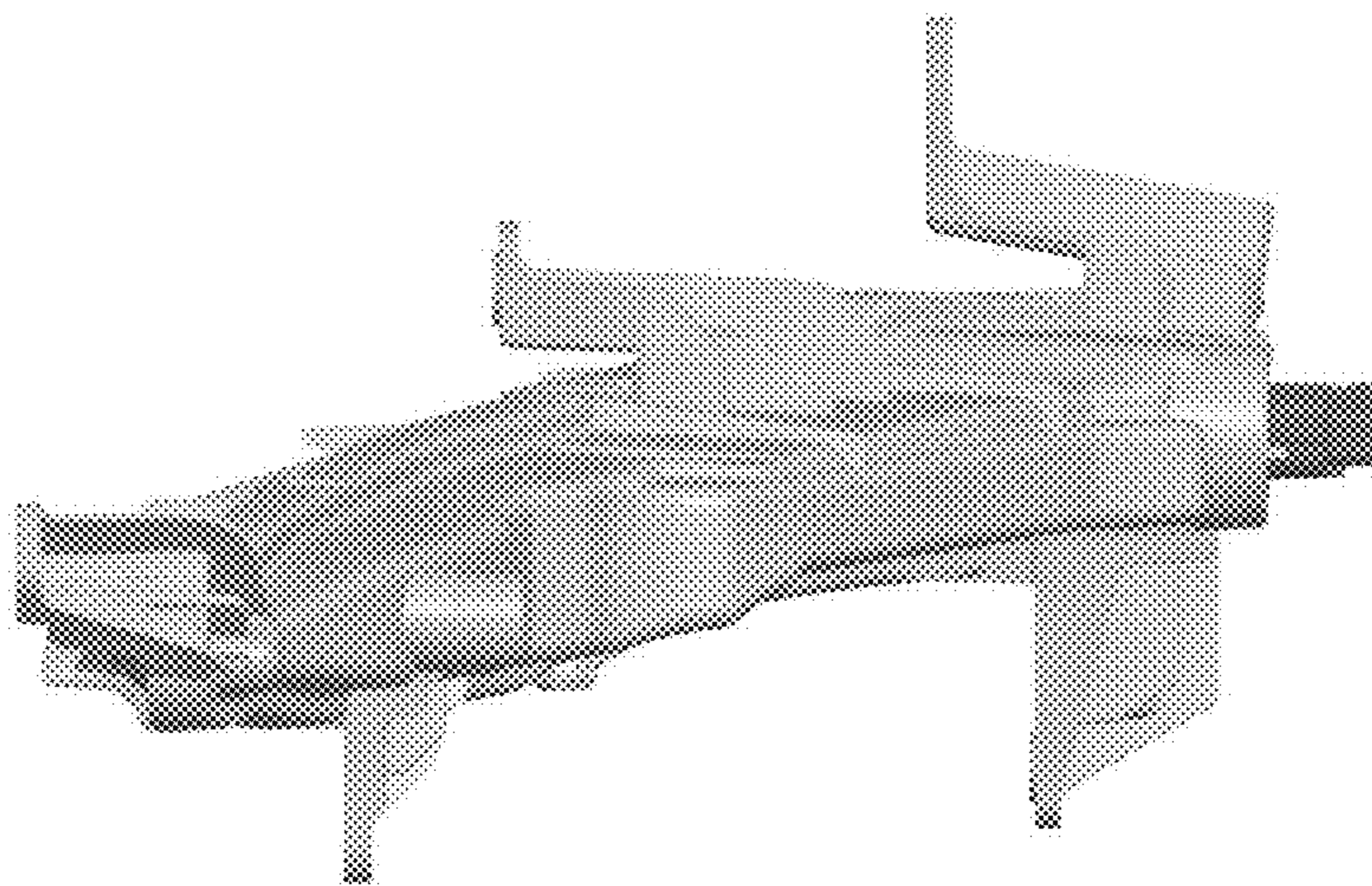


FIG. 6

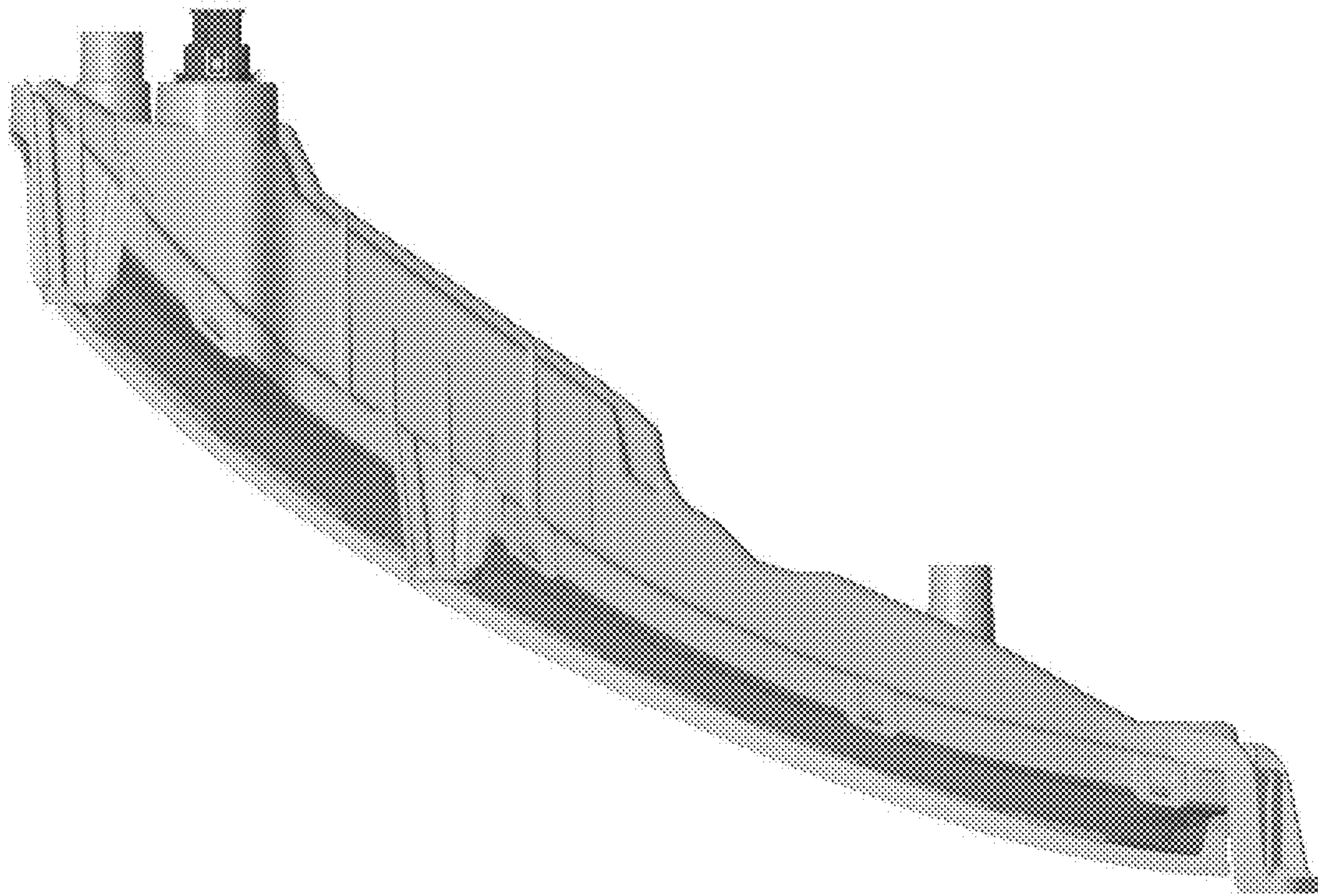


FIG. 7

