



US00D787723S

(12) **United States Design Patent**  
**Wu**

(10) **Patent No.:** **US D787,723 S**

(45) **Date of Patent:** **\*\* May 23, 2017**

(54) **VEHICLE TAIL LIGHT**

(71) Applicant: **COPLUS INC.**, Tainan (TW)

(72) Inventor: **Po-Hua Wu**, Tainan (TW)

(73) Assignee: **Coplus, Inc.**, Tainan (TW)

(\*\*) Term: **15 Years**

(21) Appl. No.: **29/550,991**

(22) Filed: **Jan. 8, 2016**

(30) **Foreign Application Priority Data**

Jul. 13, 2015 (TW) ..... 104303690

(51) **LOC (10) Cl.** ..... **26-06**

(52) **U.S. Cl.**  
USPC ..... **D26/28**

(58) **Field of Classification Search**  
USPC ..... D26/28-36; 362/80-83, 267-269,  
362/459-468, 475-478, 485-487  
CPC ..... F21S 48/00; F21S 48/10; F21S 48/115;  
F21S 48/225; F21S 48/1233; F21S  
48/1266; F21S 48/1388; F21S 48/2268;  
F21V 21/04  
See application file for complete search history.

(56) **References Cited**

U.S. PATENT DOCUMENTS

D593,691 S \* 6/2009 Habib ..... D26/28  
D674,941 S \* 1/2013 Lai ..... D26/28

D706,472 S \* 6/2014 Lai ..... D26/28  
D707,861 S \* 6/2014 Lai ..... D26/28  
D717,983 S \* 11/2014 Lai ..... D26/28  
D721,196 S \* 1/2015 Lai ..... D26/28  
D721,450 S \* 1/2015 Lai ..... D26/28

\* cited by examiner

*Primary Examiner* — Marcus Jackson

(74) *Attorney, Agent, or Firm* — Lewis Roca Rothgerber  
Christie LLP

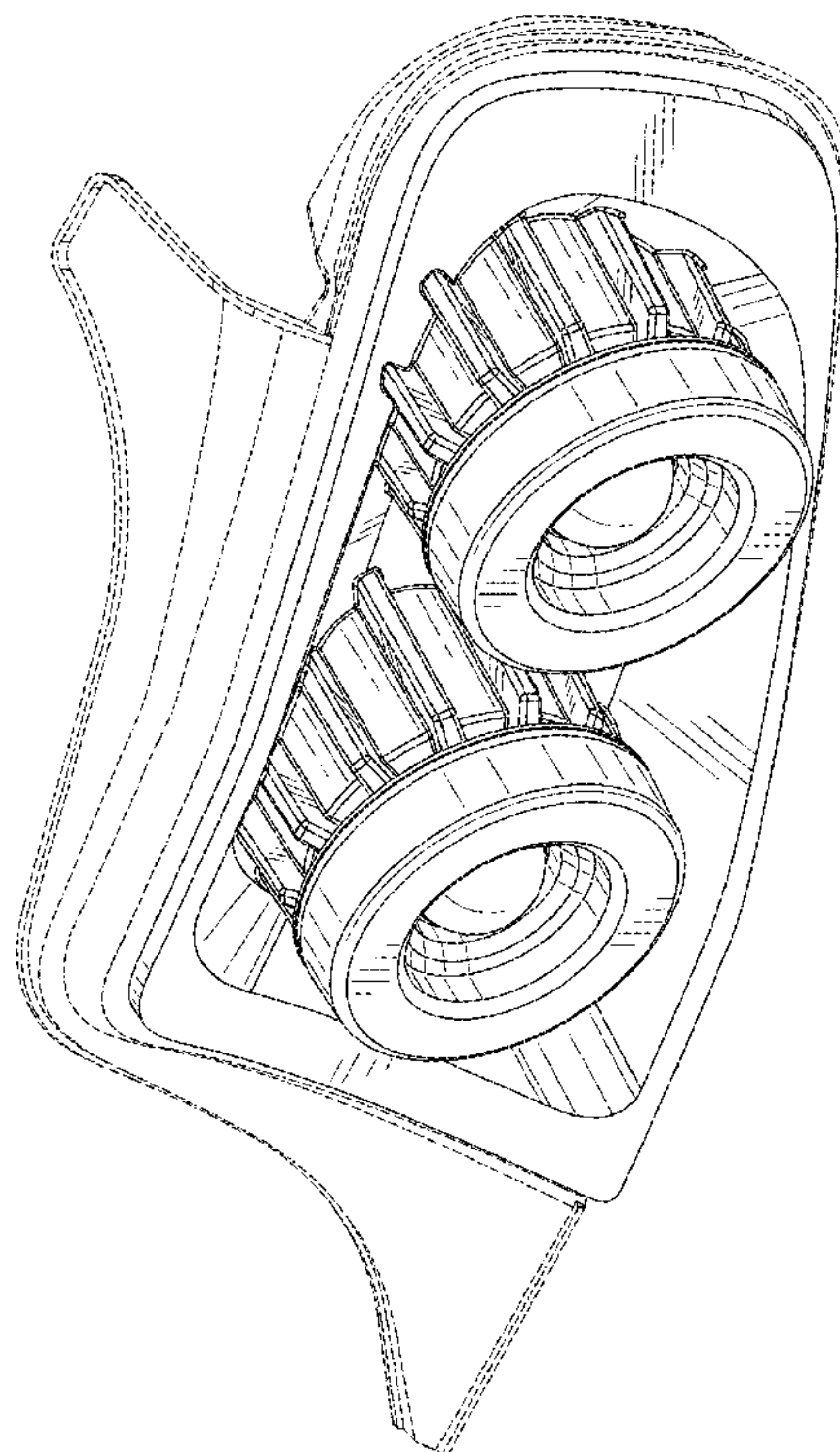
(57) **CLAIM**

The ornamental design for a vehicle tail light, as shown and described.

**DESCRIPTION**

FIG. 1 is a perspective view of the vehicle tail light;  
FIG. 2 is a front view thereof;  
FIG. 3 is a rear view thereof;  
FIG. 4 is a left side view thereof;  
FIG. 5 is a right side view thereof;  
FIG. 6 is a top side view thereof; and,  
FIG. 7 is a bottom side view thereof.  
The broken lines in the drawings are for illustrative purpose only and form no part of the claimed design.

**1 Claim, 6 Drawing Sheets**



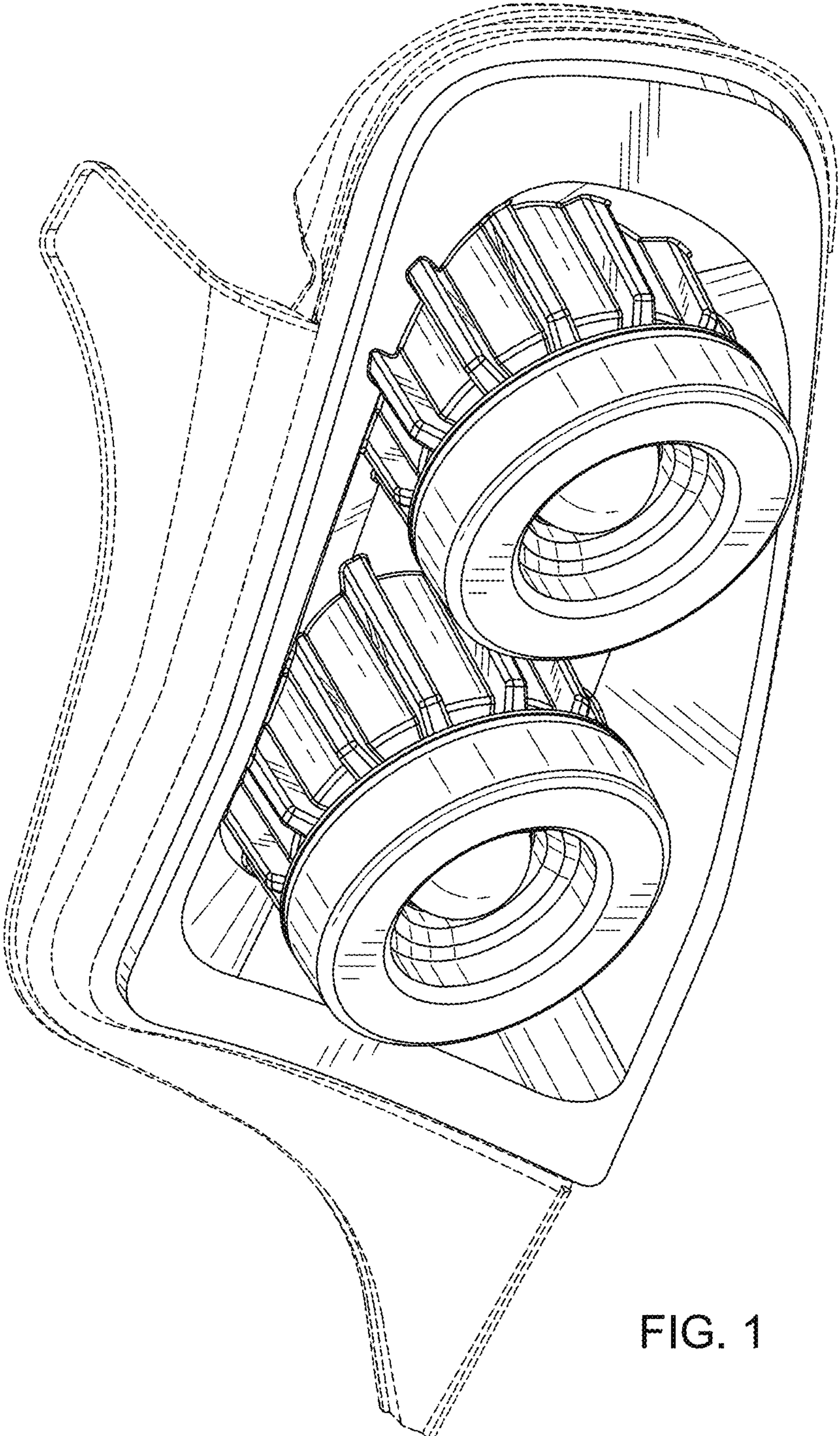


FIG. 1

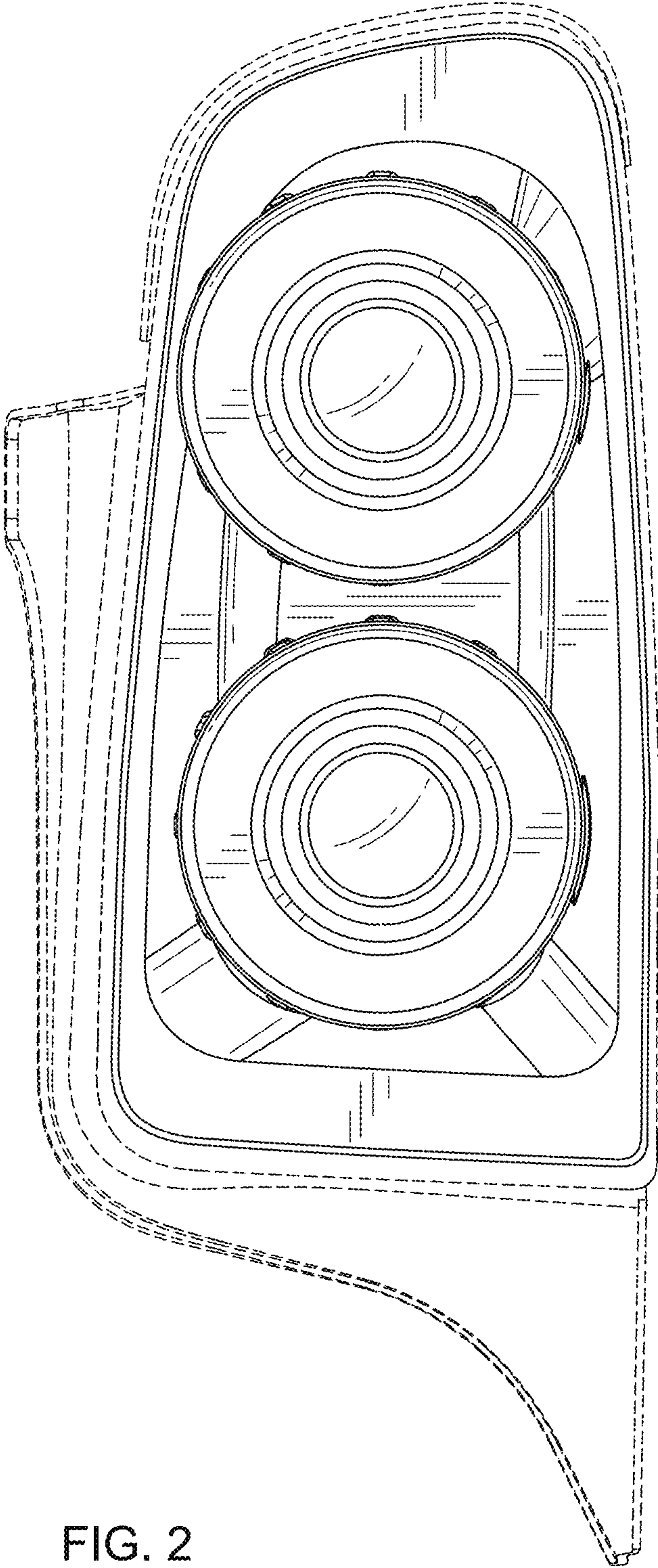


FIG. 2



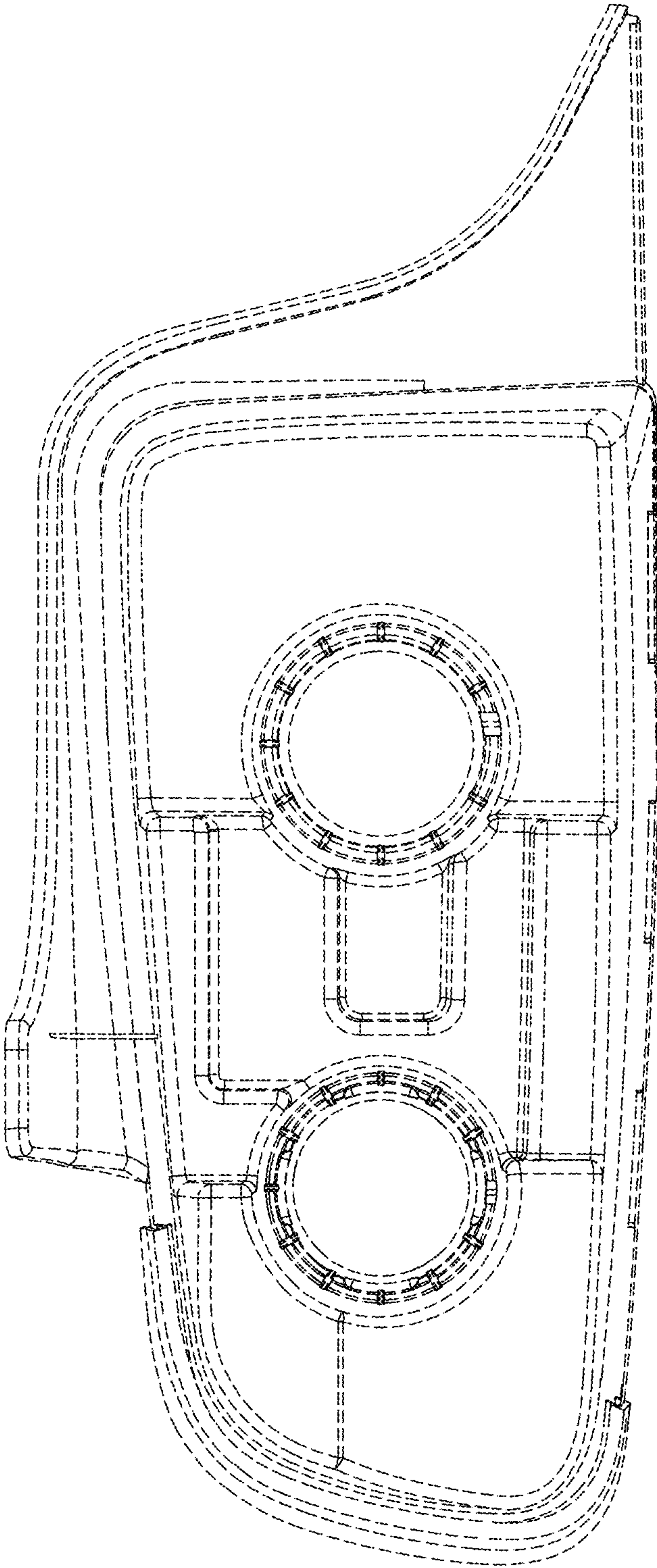


FIG. 3

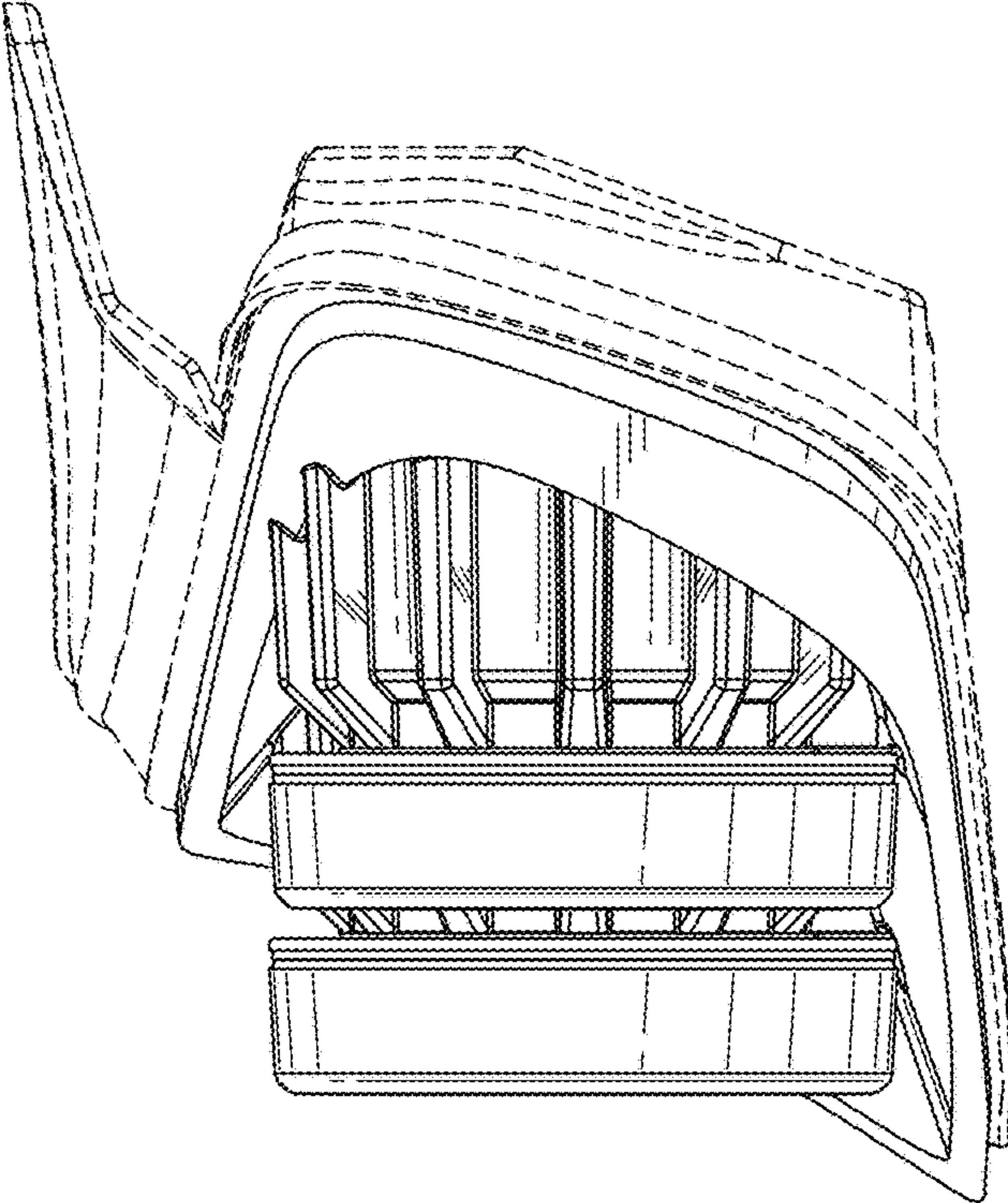


FIG. 4

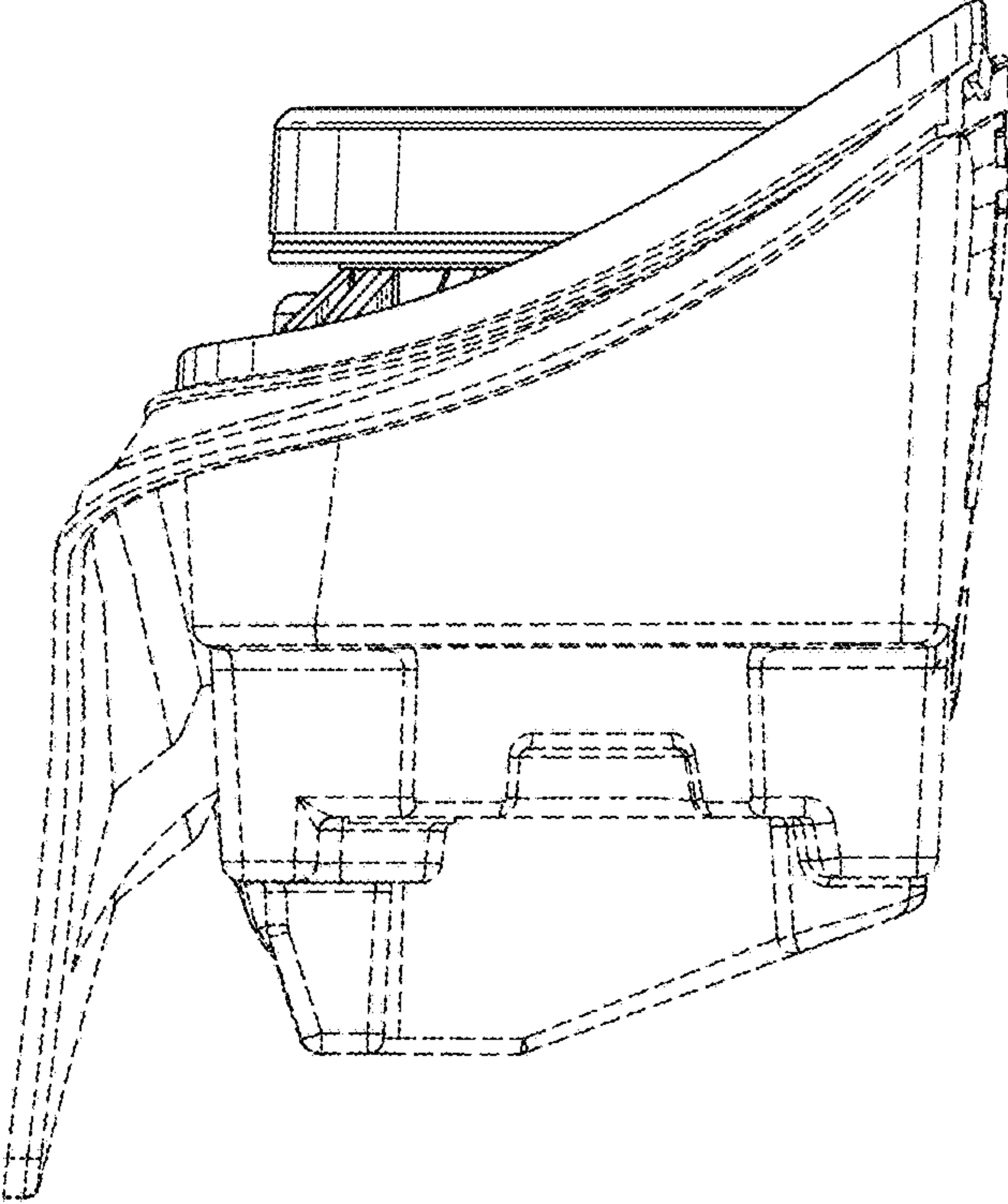


FIG. 5

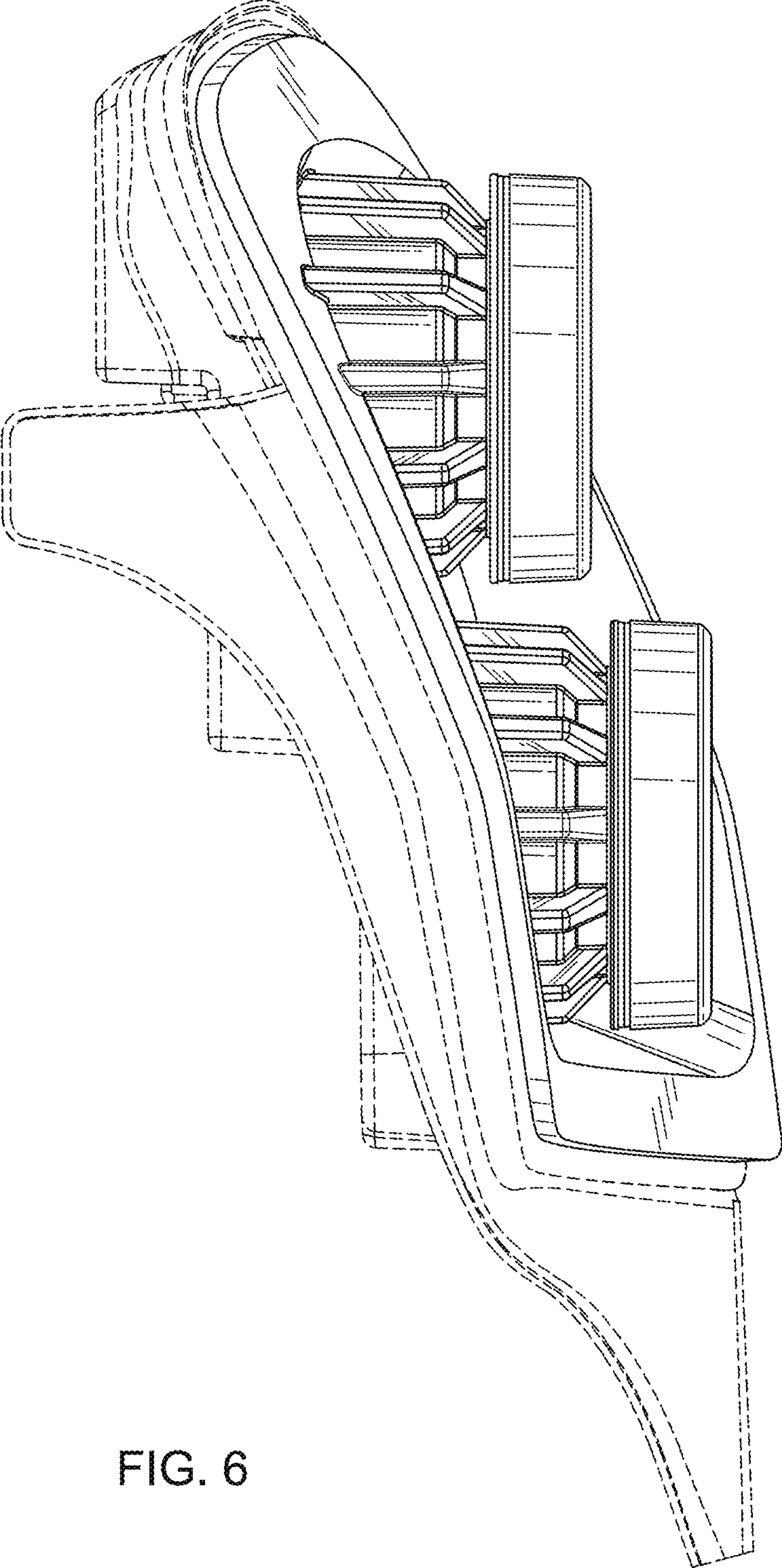


FIG. 6

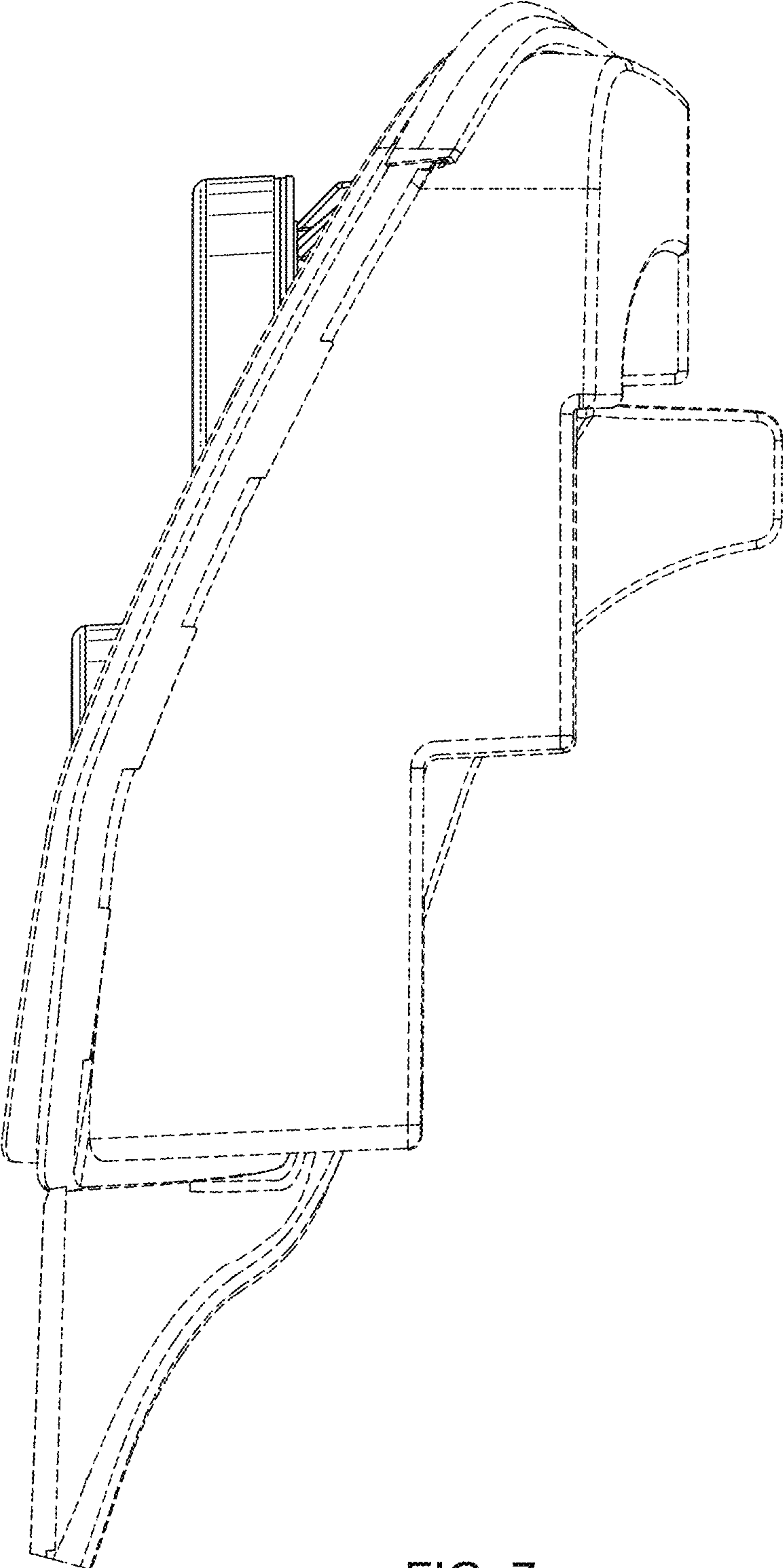


FIG. 7