



US00D787722S

(12) **United States Design Patent** (10) **Patent No.:** **US D787,722 S**  
**Lai** (45) **Date of Patent:** **\*\* May 23, 2017**

(54) **VEHICLE HEADLIGHT**  
(71) Applicant: **Ching-Tsung Lai**, Tainan (TW)  
(72) Inventor: **Ching-Tsung Lai**, Tainan (TW)  
(\*\*) Term: **15 Years**  
(21) Appl. No.: **29/550,313**  
(22) Filed: **Dec. 31, 2015**  
(51) **LOC (10) Cl.** ..... **26-07**  
(52) **U.S. Cl.**  
USPC ..... **D26/28**  
(58) **Field of Classification Search**  
USPC ..... D26/28-36; 362/459-468, 475-478,  
362/485-487  
CPC ..... F21S 48/00; F21S 48/10; F21S 48/115;  
F21S 48/225; F21S 48/1233; F21S  
48/1266; F21S 48/1388; F21S 48/2268;  
F21V 21/04  
See application file for complete search history.

(56) **References Cited**  
U.S. PATENT DOCUMENTS  
D570,007 S \* 5/2008 Hsu ..... D26/28  
D686,355 S \* 7/2013 Morgenstern ..... D26/28

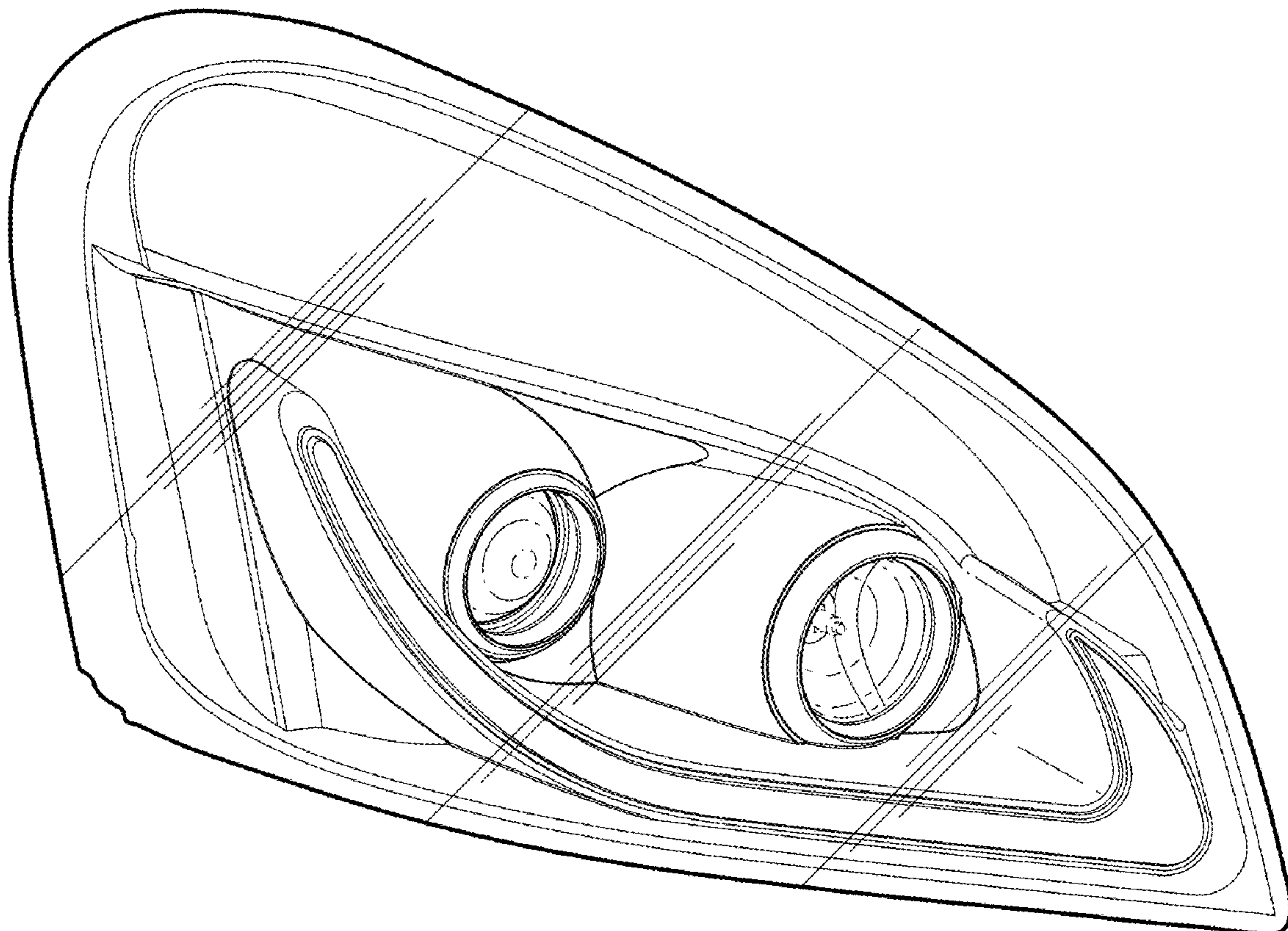
D721,196 S \* 1/2015 Lai ..... D26/28  
D728,133 S \* 4/2015 Bieling ..... D26/28  
D740,978 S \* 10/2015 Lee ..... D26/28  
D742,046 S \* 10/2015 Hwang ..... D26/28  
D747,519 S \* 1/2016 Kim ..... D26/28  
D749,763 S \* 2/2016 Sa ..... D26/28  
D752,254 S \* 3/2016 Futschik ..... D26/28  
D755,426 S \* 5/2016 Handt ..... D26/28  
D757,970 S \* 5/2016 Binder ..... D26/28  
D762,894 S \* 8/2016 Luk ..... D26/28  
D779,089 S \* 2/2017 Giolito ..... D26/28

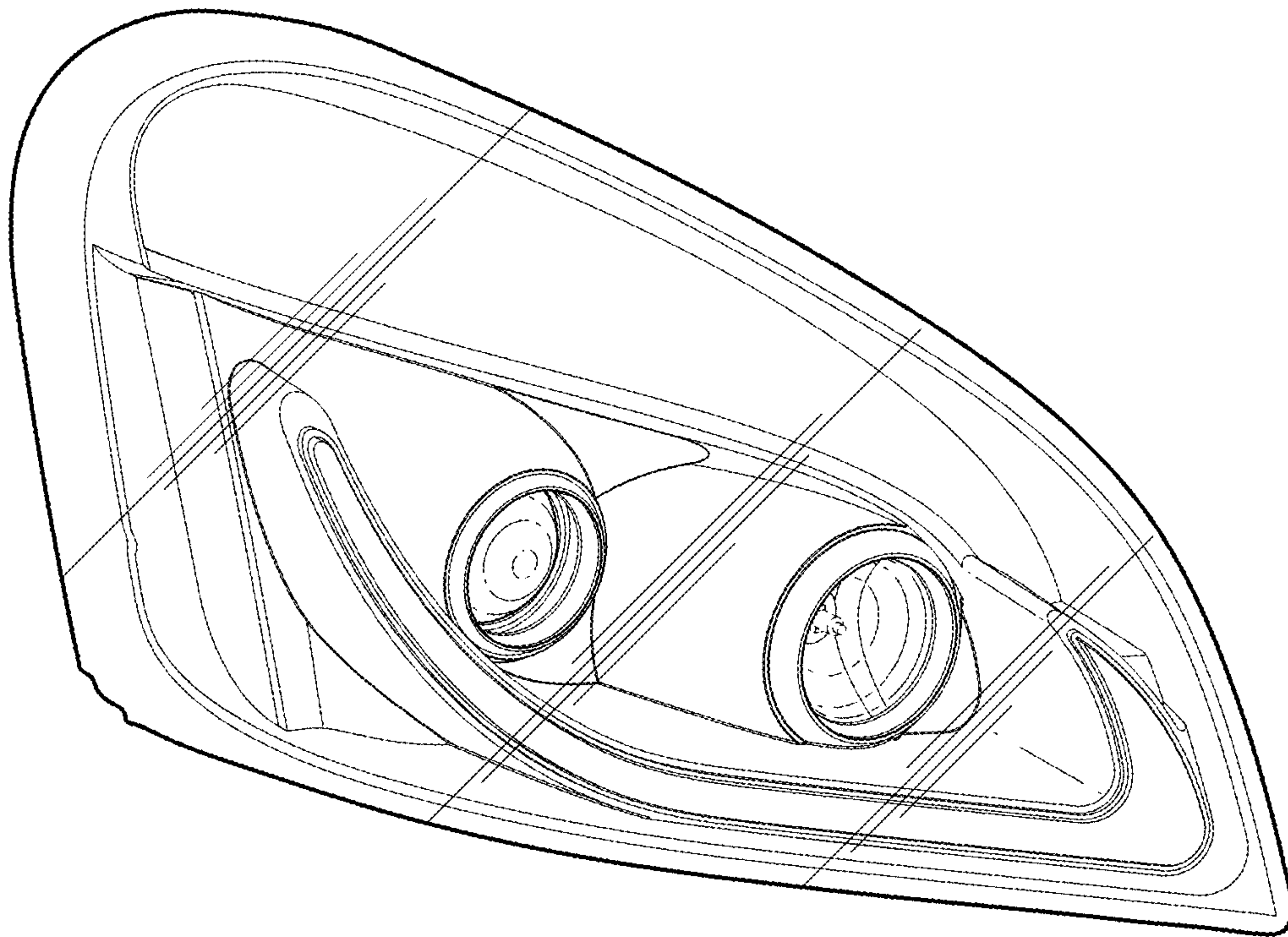
\* cited by examiner  
*Primary Examiner* — Angela J Lee  
(74) *Attorney, Agent, or Firm* — Alexander Chen, Esq.

(57) **CLAIM**  
The ornamental design for a vehicle headlight, as shown and described.

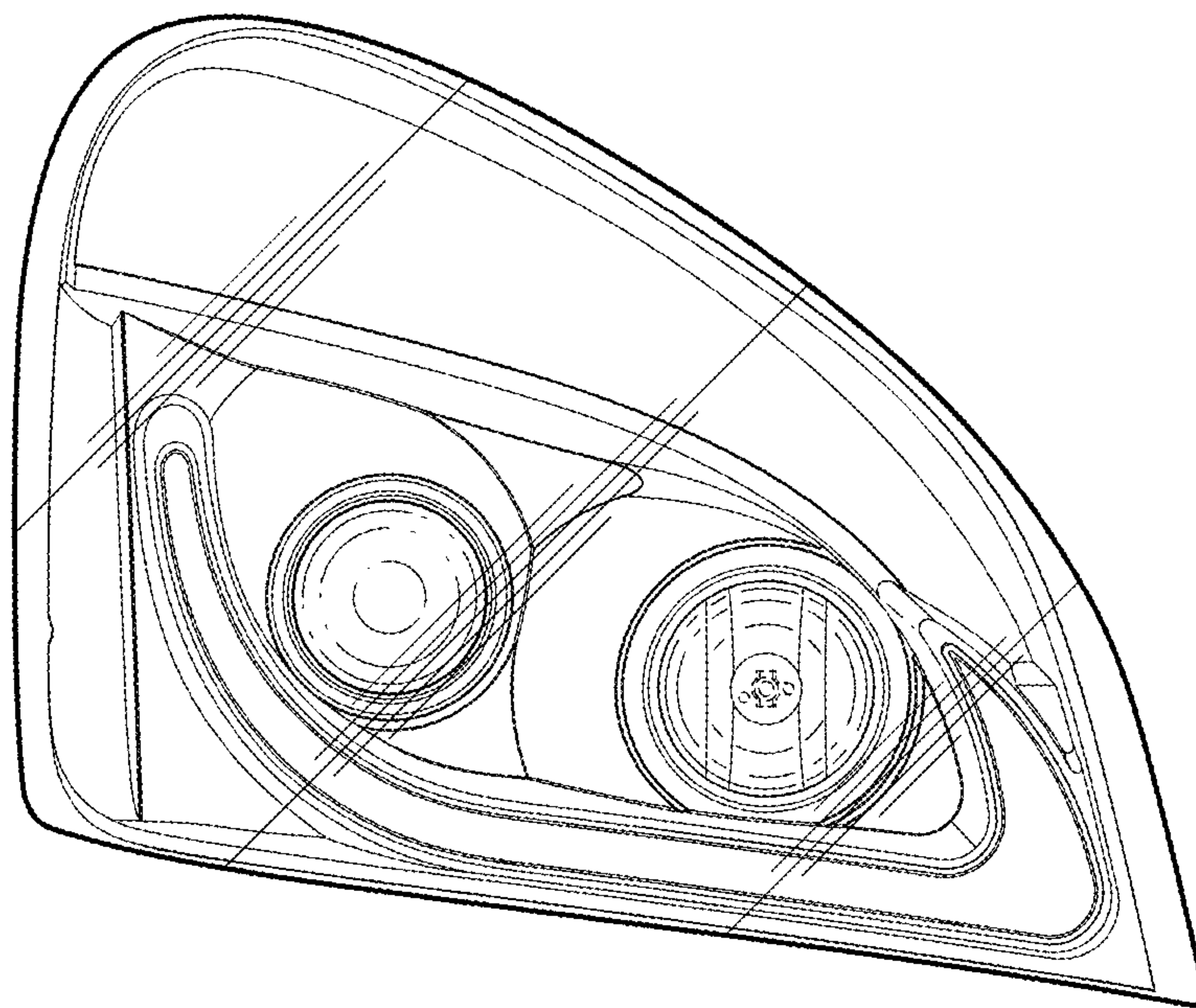
**DESCRIPTION**  
FIG. 1 is a perspective view of a vehicle headlight;  
FIG. 2 is a front view thereof;  
FIG. 3 is a side view thereof; and,  
FIG. 4 is a top view thereof.  
The drawings and descriptions disclose a first embodiment showing a left side and the claim includes a mirror image embodiment. The broken lines in the drawings are included to show environment and form no part of the claimed design.

**1 Claim, 4 Drawing Sheets**



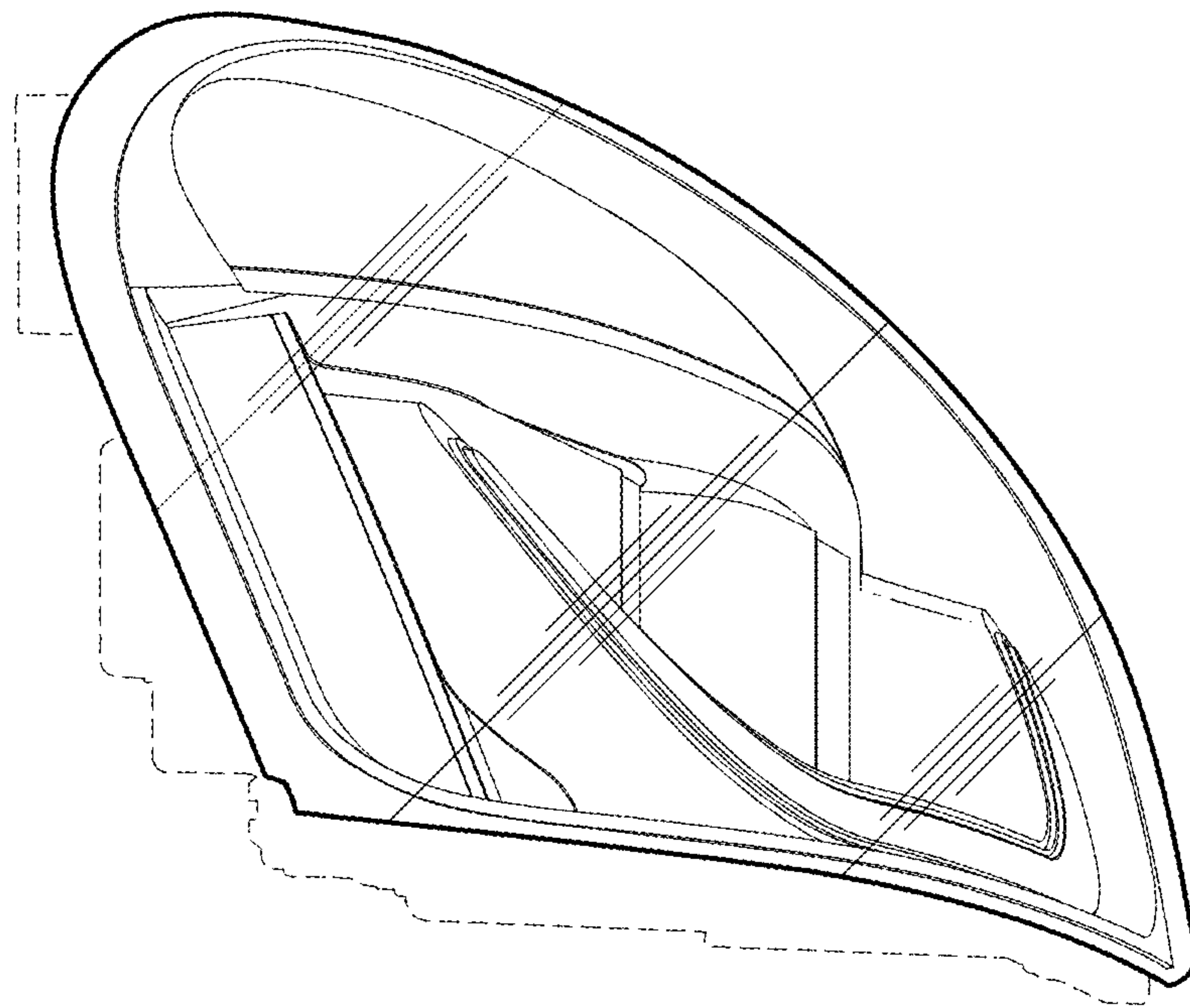


**FIG. 1**

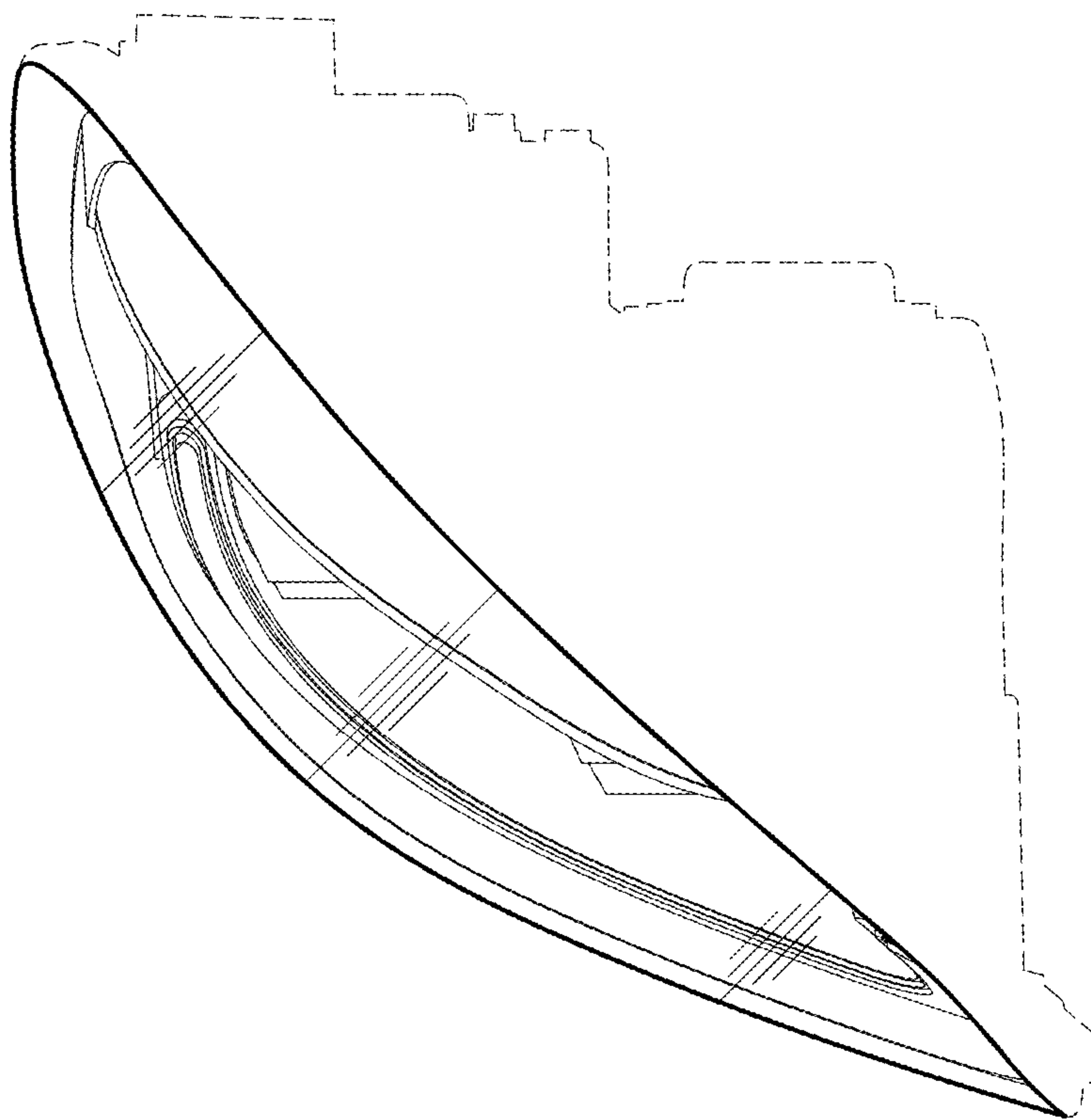


**FIG. 2**





**FIG. 3**



**FIG. 4**