



US00D787721S

(12) **United States Design Patent**
Lai

(10) **Patent No.:** **US D787,721 S**

(45) **Date of Patent:** **** May 23, 2017**

(54) **VEHICLE HEADLIGHT**

(71) Applicant: **Ching-Tsung Lai**, Tainan (TW)

(72) Inventor: **Ching-Tsung Lai**, Tainan (TW)

(**) Term: **15 Years**

(21) Appl. No.: **29/550,309**

(22) Filed: **Dec. 31, 2015**

(51) **LOC (10) Cl.** **26-07**

(52) **U.S. Cl.**
USPC **D26/28**

(58) **Field of Classification Search**
USPC D26/28-36; 362/459-468, 475-478,
362/485-487
CPC F21S 48/00; F21S 48/10; F21S 48/115;
F21S 48/225; F21S 48/1233; F21S
48/1266; F21S 48/1388; F21S 48/2268;
F21V 21/04

See application file for complete search history.

(56) **References Cited**

U.S. PATENT DOCUMENTS

D547,888 S	7/2007	Conway	
D565,758 S	4/2008	Conway	
D583,085 S *	12/2008	Yang	D26/28
D605,792 S *	12/2009	Weil	D26/28
D642,712 S *	8/2011	Ishigaki	D26/28
D658,320 S *	4/2012	Goplen	D26/28

D676,168 S *	2/2013	Lai	D26/28
D678,567 S *	3/2013	Lai	D26/28
D686,355 S *	7/2013	Morgenstern	D26/28
D718,894 S *	12/2014	Lai	D26/28
D721,450 S *	1/2015	Lai	D26/28
D749,763 S *	2/2016	Sa	D26/28
D752,254 S *	3/2016	Futschik	D26/28
D754,375 S *	4/2016	Vena	D26/28
D765,282 S *	8/2016	Lai	D26/28

* cited by examiner

Primary Examiner — Angela J Lee

(74) *Attorney, Agent, or Firm* — Alexander Chen, Esq.

(57) **CLAIM**

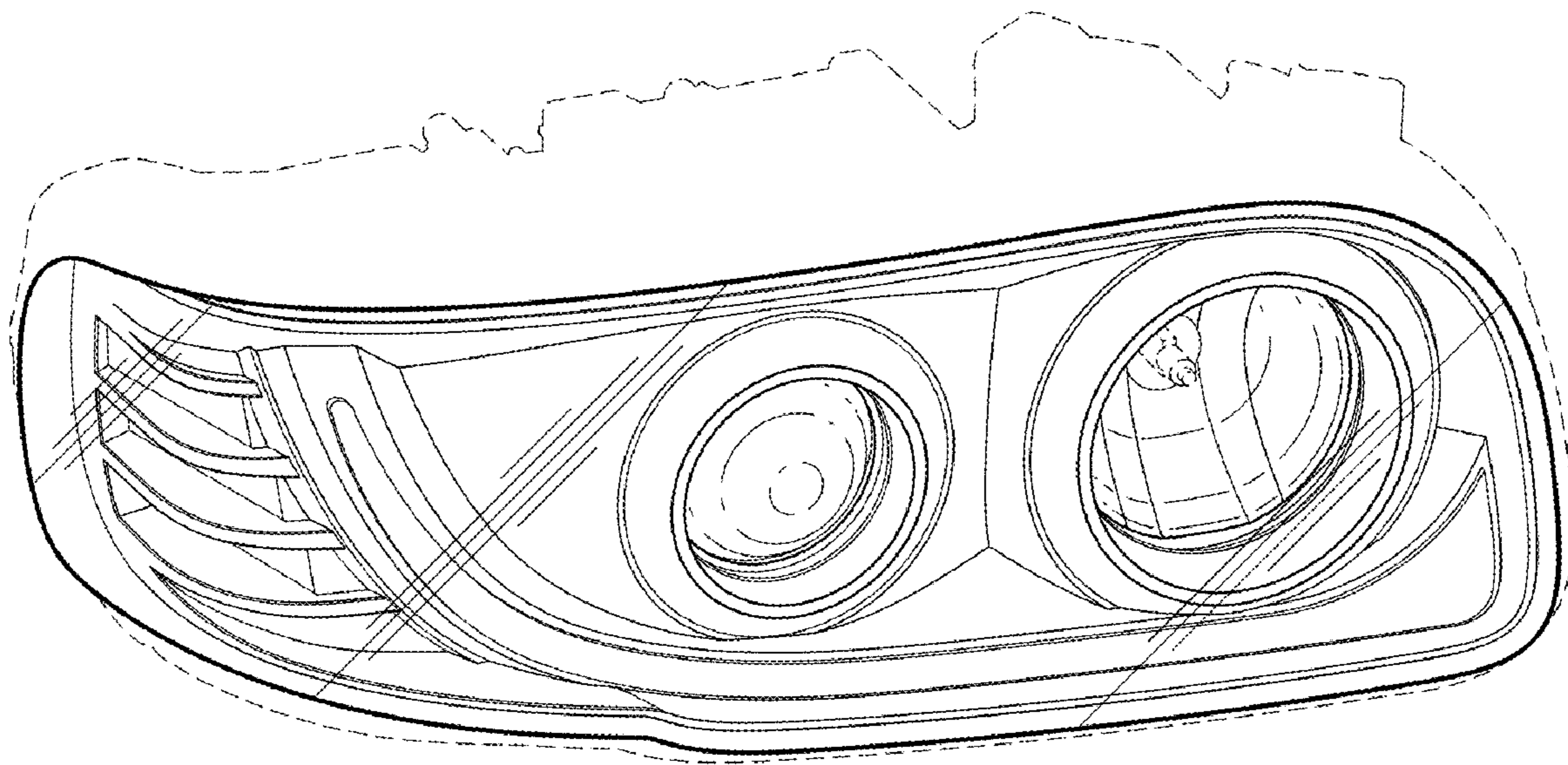
The ornamental design for a vehicle headlight, as shown and described.

DESCRIPTION

FIG. 1 is a perspective view of a vehicle headlight;
FIG. 2 is a front view thereof;
FIG. 3 is a side view thereof; and,
FIG. 4 is a top view thereof.

The drawings and descriptions disclose a first embodiment showing a left side and the claim includes a mirror image embodiment. The broken lines in the drawings are included to show environment and form no part of the claimed design.

1 Claim, 4 Drawing Sheets



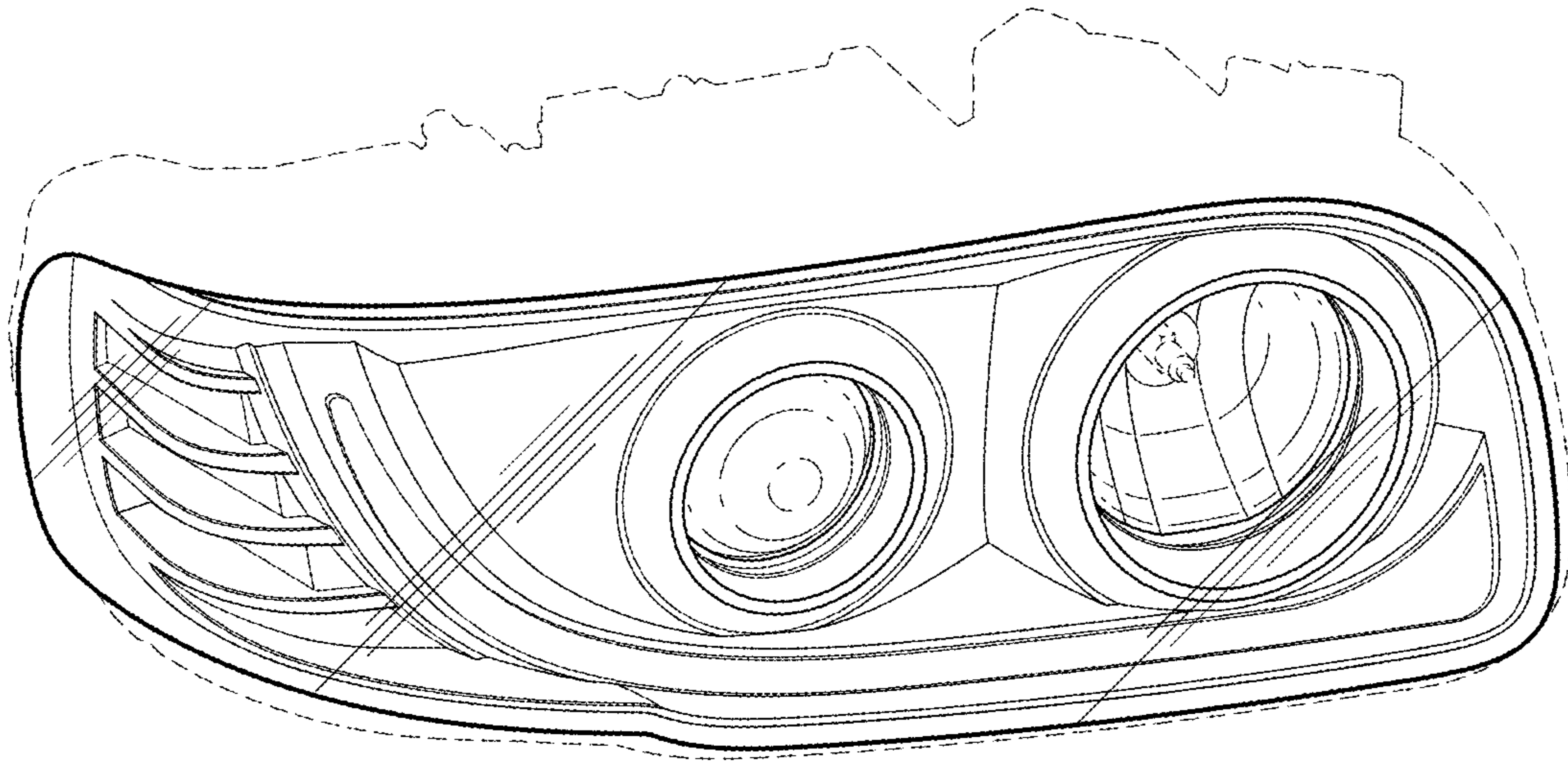


FIG. 1

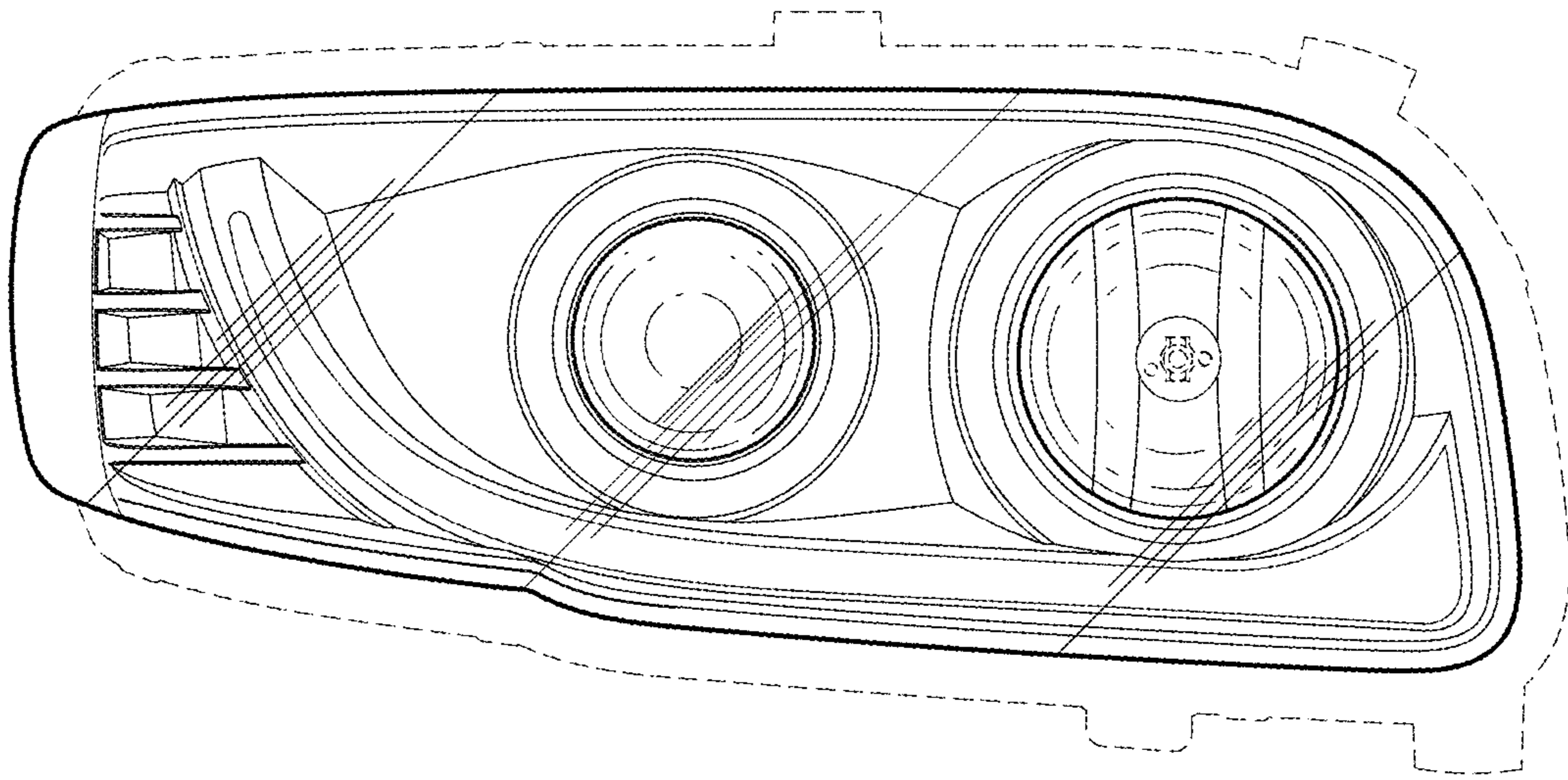


FIG. 2

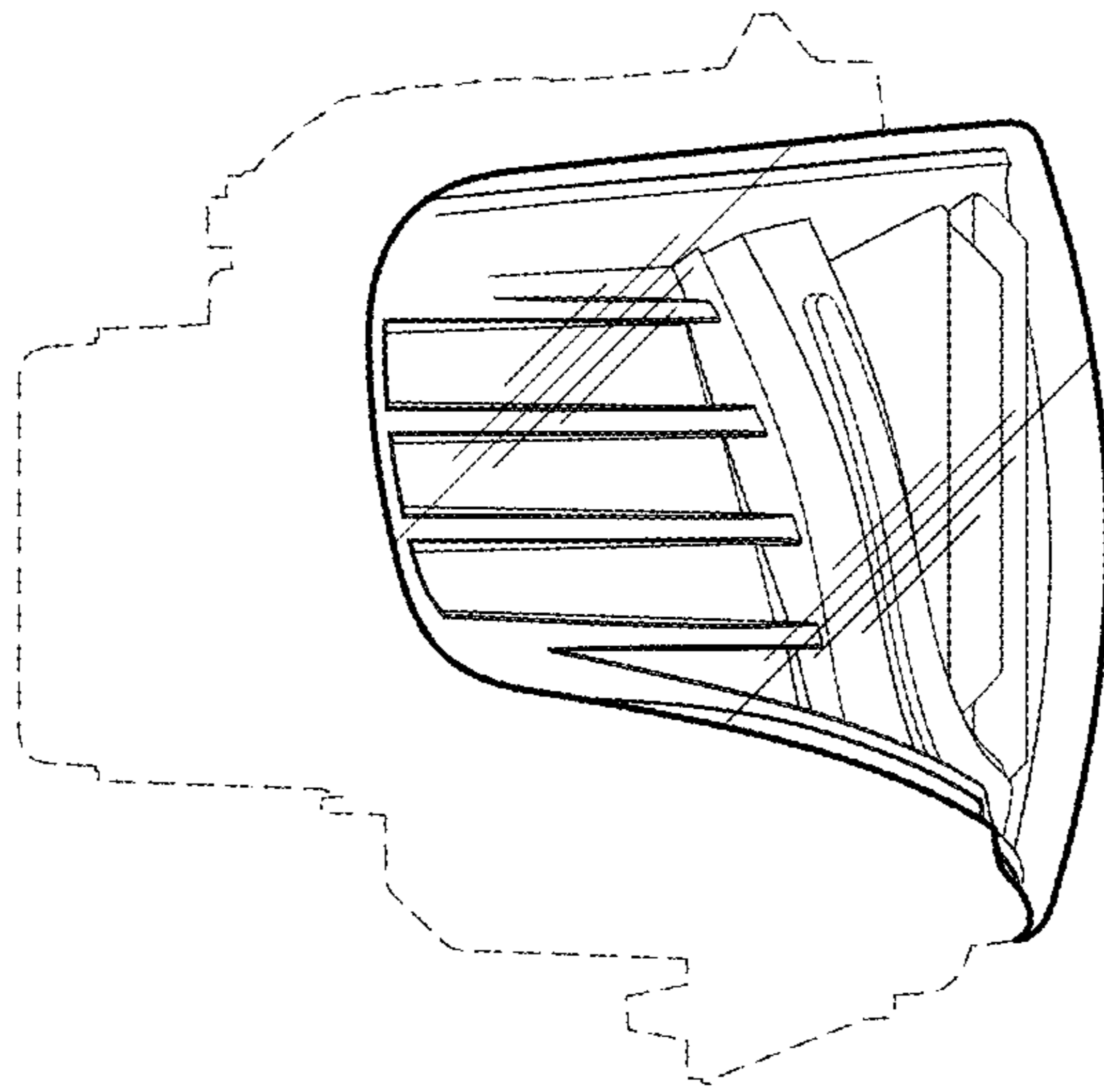


FIG. 3

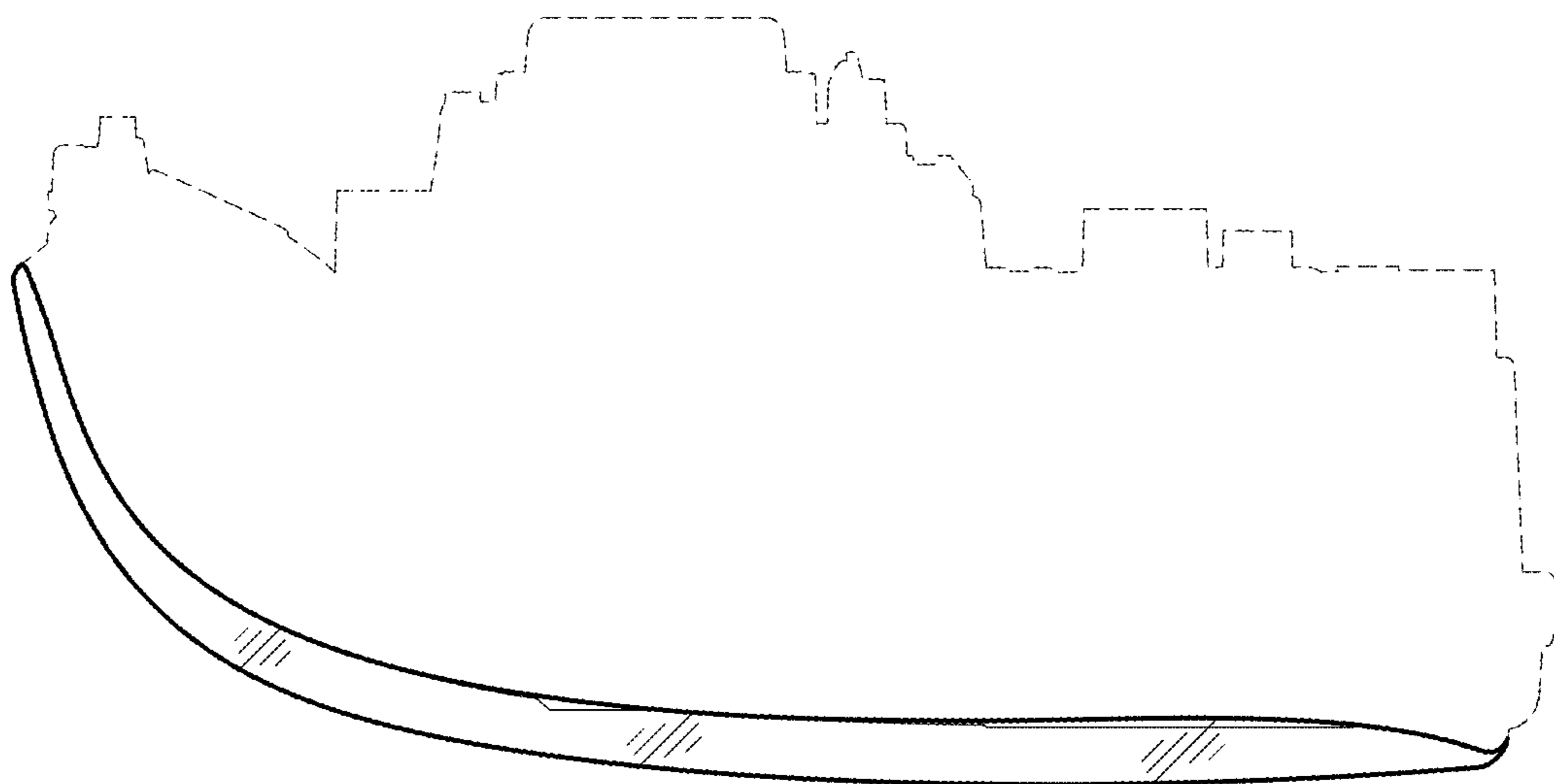


FIG. 4