



US00D787720S

(12) **United States Design Patent** (10) **Patent No.:** **US D787,720 S**
Lai (45) **Date of Patent:** **** May 23, 2017**

(54) **VEHICLE HEADLIGHT**
(71) Applicant: **Ching-Tsung Lai**, Tainan (TW)
(72) Inventor: **Ching-Tsung Lai**, Tainan (TW)
(**) Term: **15 Years**
(21) Appl. No.: **29/550,307**
(22) Filed: **Dec. 31, 2015**
(51) **LOC (10) Cl.** **26-07**
(52) **U.S. Cl.**
USPC **D26/28**
(58) **Field of Classification Search**
USPC D26/28-36; 362/459-468, 475-478,
362/485-487
CPC F21S 48/00; F21S 48/10; F21S 48/115;
F21S 48/225; F21S 48/1233; F21S
48/1266; F21S 48/1388; F21S 48/2268;
F21V 21/04
See application file for complete search history.

(56) **References Cited**
U.S. PATENT DOCUMENTS
D527,123 S 8/2006 Beigel
D567,404 S * 4/2008 Hsu D26/28
D605,792 S * 12/2009 Weil D26/28

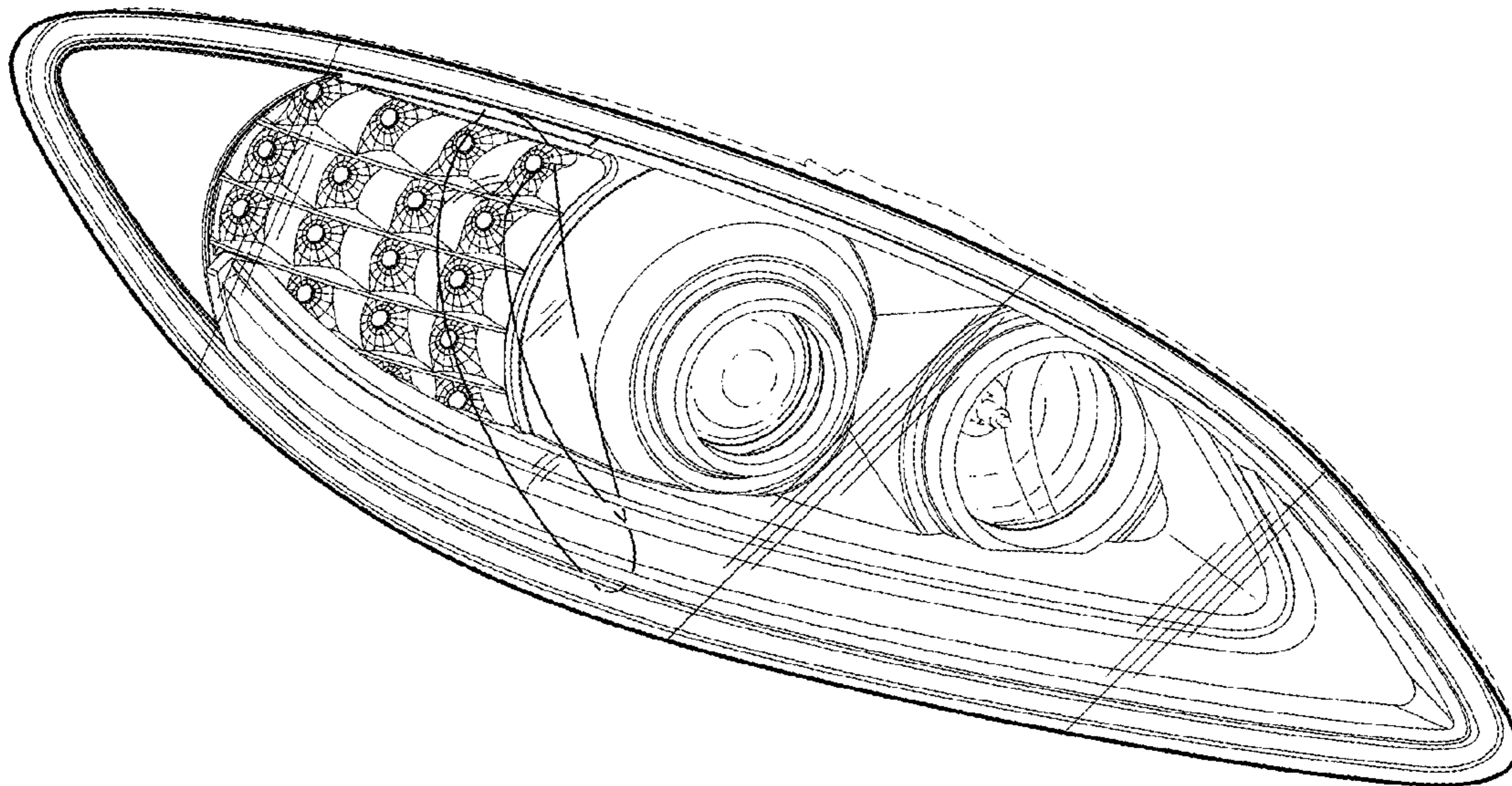
D637,328 S * 5/2011 Yang D26/28
D707,863 S * 6/2014 Lai D26/28
D717,983 S * 11/2014 Lai D26/28
D718,894 S * 12/2014 Lai D26/28
D742,046 S * 10/2015 Hwang D26/28
D751,737 S * 3/2016 Lai D26/28
D754,375 S * 4/2016 Vena D26/28
D763,482 S * 8/2016 Kao D26/28
D765,283 S * 8/2016 Lai D26/28
D767,181 S * 9/2016 Lai D26/28
D767,182 S * 9/2016 Lai D26/28

* cited by examiner
Primary Examiner — Angela J Lee
(74) *Attorney, Agent, or Firm* — Alexander Chen, Esq.

(57) **CLAIM**
The ornamental design for a vehicle headlight, as shown and described.

DESCRIPTION
FIG. 1 is a perspective view of a vehicle headlight;
FIG. 2 is a front view thereof;
FIG. 3 is a side view thereof; and,
FIG. 4 is a top view thereof.
The drawings and descriptions disclose a first embodiment showing a left side and the claim includes a mirror image embodiment. The broken lines in the drawings are included to show environment and form no part of the claimed design.

1 Claim, 4 Drawing Sheets



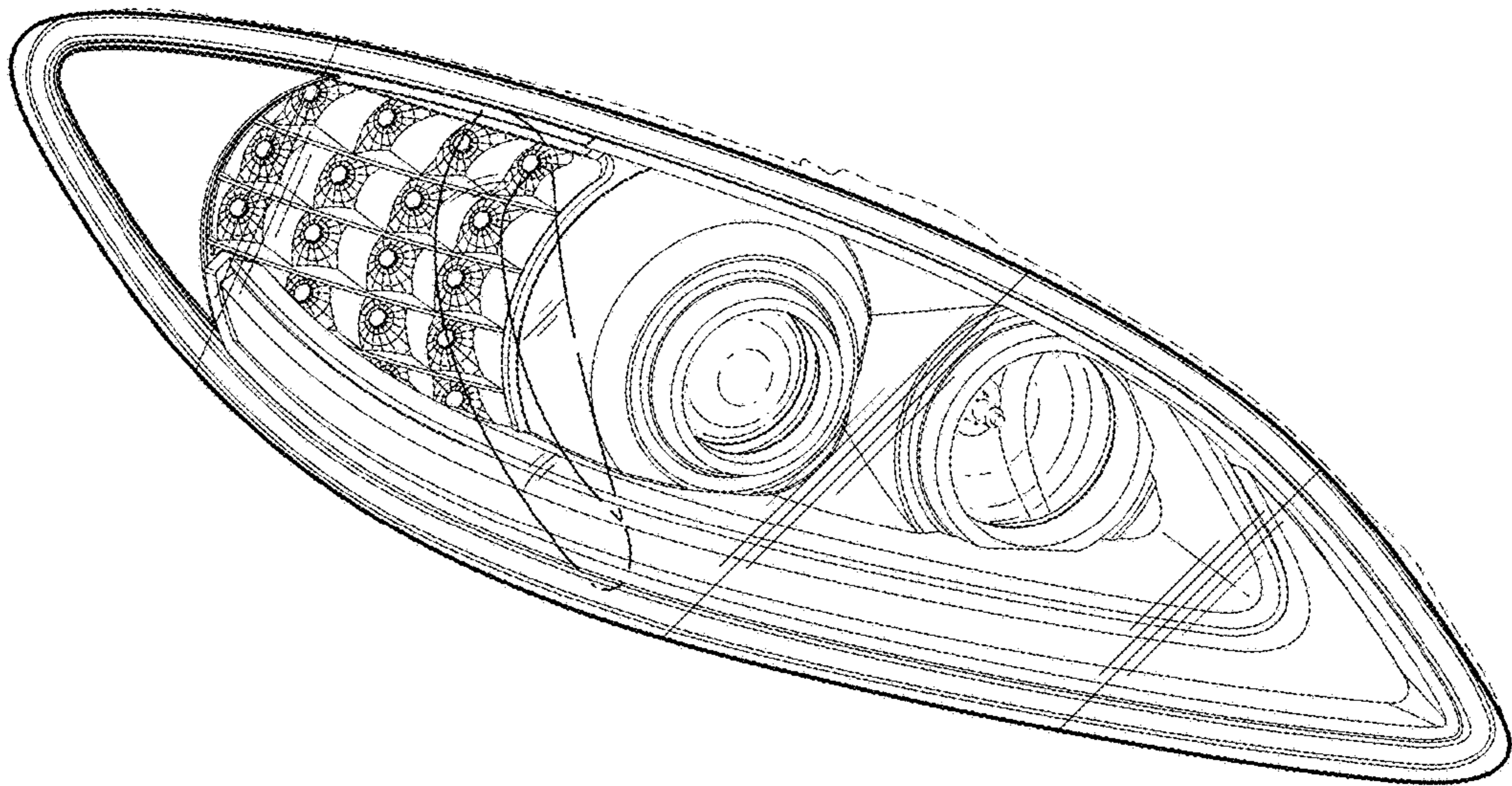


FIG. 1

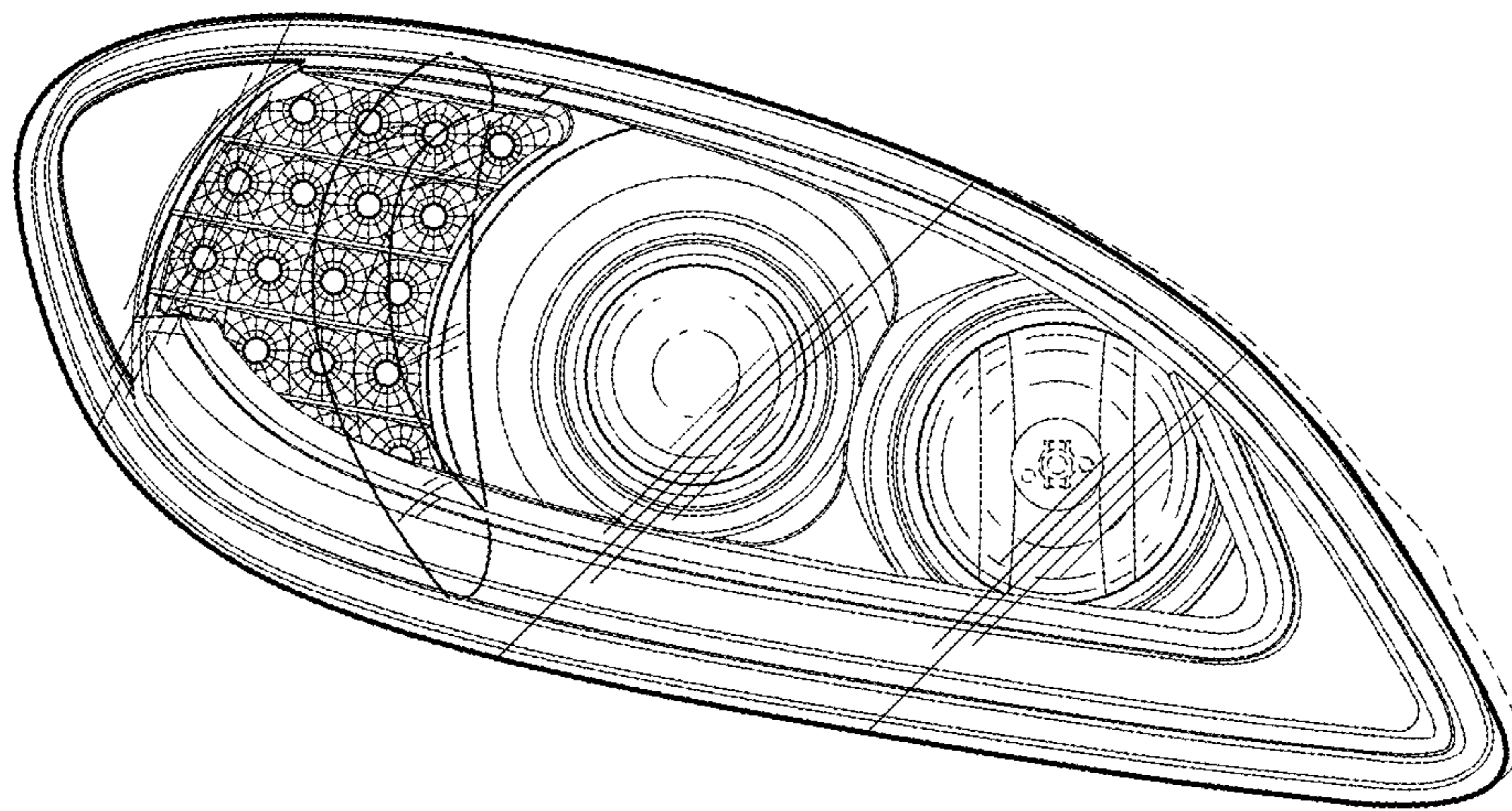


FIG. 2

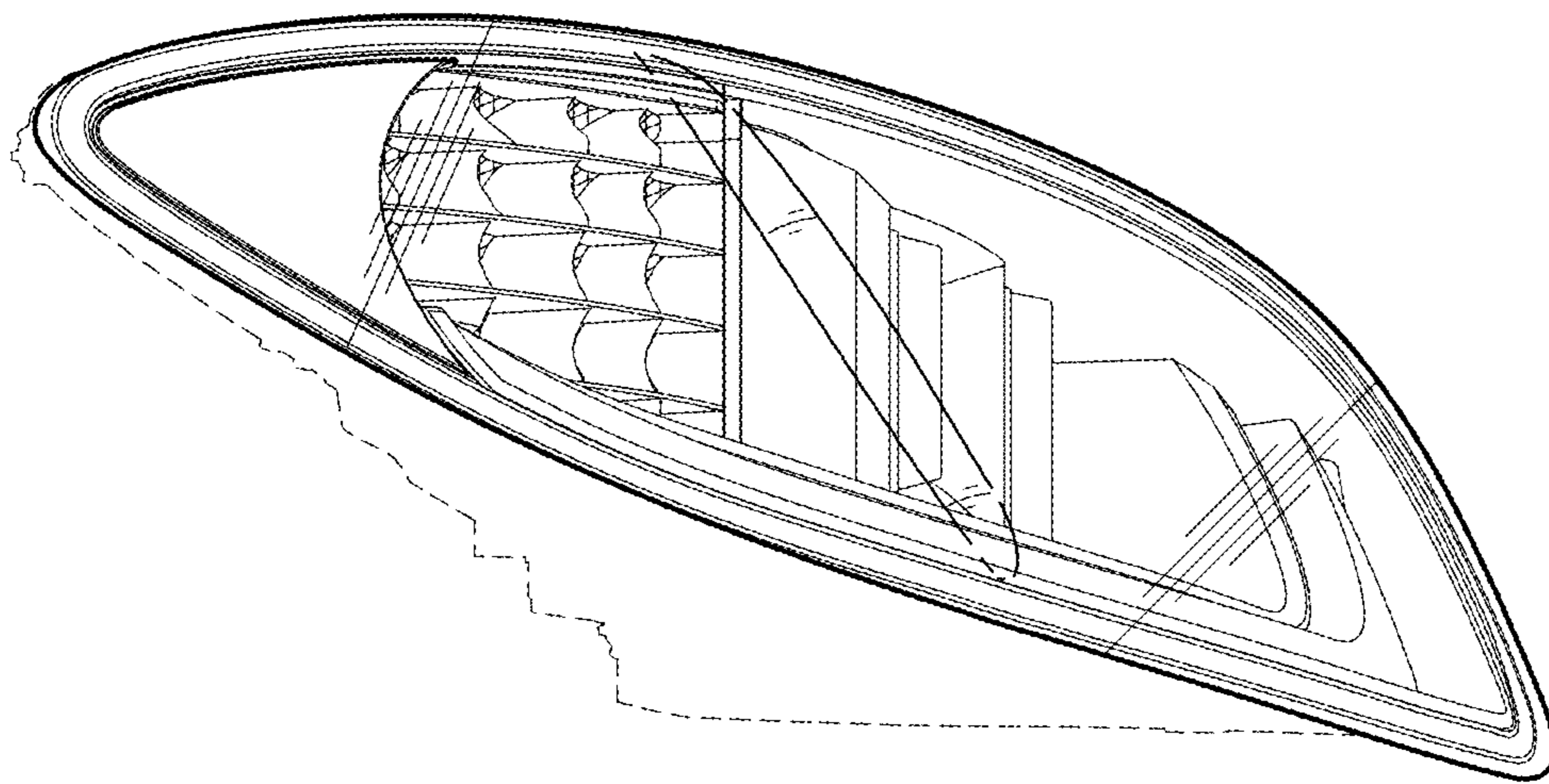


FIG. 3

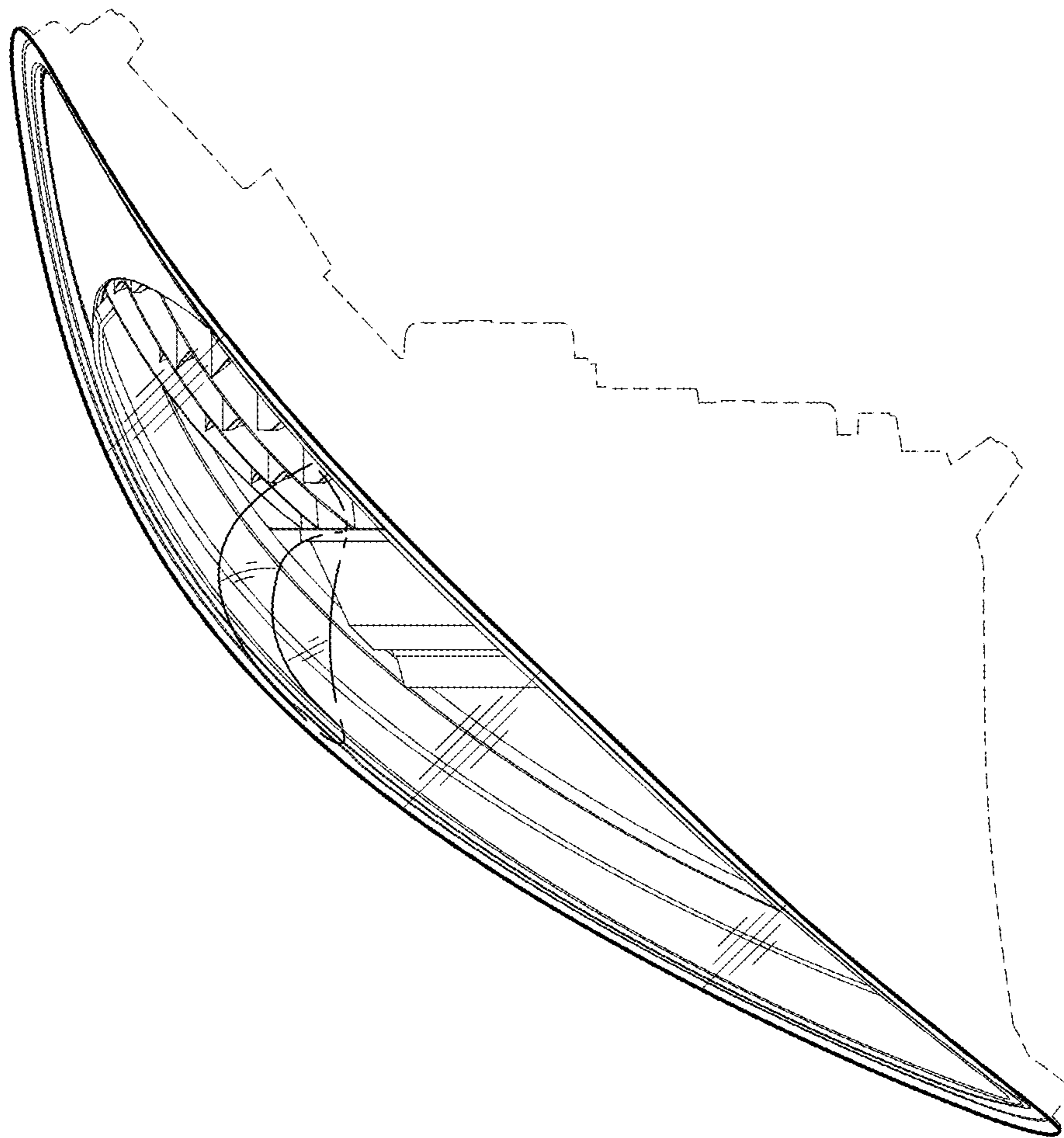


FIG. 4