



US00D787719S

(12) **United States Design Patent** (10) **Patent No.:** **US D787,719 S**
Lai (45) **Date of Patent:** **** May 23, 2017**

(54) **VEHICLE HEADLIGHT**

(71) Applicant: **Ching-Tsung Lai**, Tainan (TW)

(72) Inventor: **Ching-Tsung Lai**, Tainan (TW)

(**) Term: **15 Years**

(21) Appl. No.: **29/550,304**

(22) Filed: **Dec. 31, 2015**

(51) **LOC (10) Cl.** **26-07**

(52) **U.S. Cl.**
USPC **D26/28**

(58) **Field of Classification Search**
USPC D26/28-36; 362/459-468, 475-478,
362/485-487
CPC F21S 48/00; F21S 48/10; F21S 48/115;
F21S 48/225; F21S 48/1233; F21S
48/1266; F21S 48/1388; F21S 48/2268;
F21V 21/04
See application file for complete search history.

(56) **References Cited**

U.S. PATENT DOCUMENTS

D504,735 S * 5/2005 Lin D26/28
D527,123 S 8/2006 Beigel
D542,442 S * 5/2007 Matsunami D26/28

D582,589 S * 12/2008 Yang D26/28
D588,728 S * 3/2009 Hsu D26/28
D674,940 S * 1/2013 Lai D26/28
D674,941 S * 1/2013 Lai D26/28
D676,166 S * 2/2013 Lai D26/28
D676,168 S * 2/2013 Lai D26/28
D678,567 S * 3/2013 Lai D26/28
D718,893 S * 12/2014 Lai D26/28
D750,818 S * 3/2016 Lin D26/28
D761,981 S * 7/2016 Tsutamori D26/28
D764,085 S * 8/2016 Jackson D26/28

* cited by examiner

Primary Examiner — Angela J Lee

(74) *Attorney, Agent, or Firm* — Alexander Chen, Esq.

(57) **CLAIM**

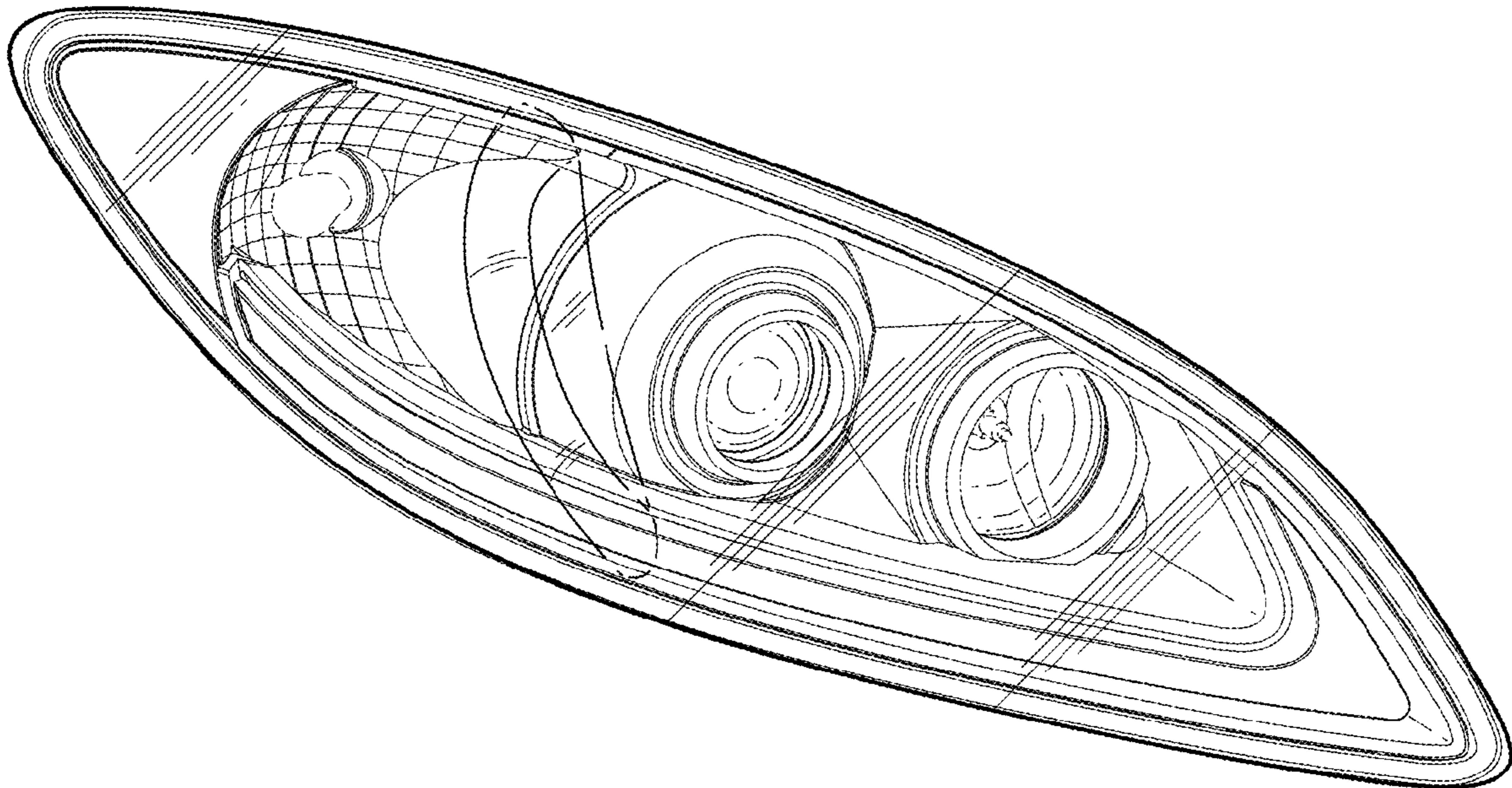
The ornamental design for a vehicle headlight, as shown and described.

DESCRIPTION

FIG. 1 is a perspective view of a vehicle headlight;
FIG. 2 is a front view thereof;
FIG. 3 is a side view thereof; and,
FIG. 4 is a top view thereof.

The drawings and descriptions disclose a first embodiment showing a left side and the claim includes a mirror image embodiment. The broken lines in the drawings are included to show environment and form no part of the claimed design.

1 Claim, 4 Drawing Sheets



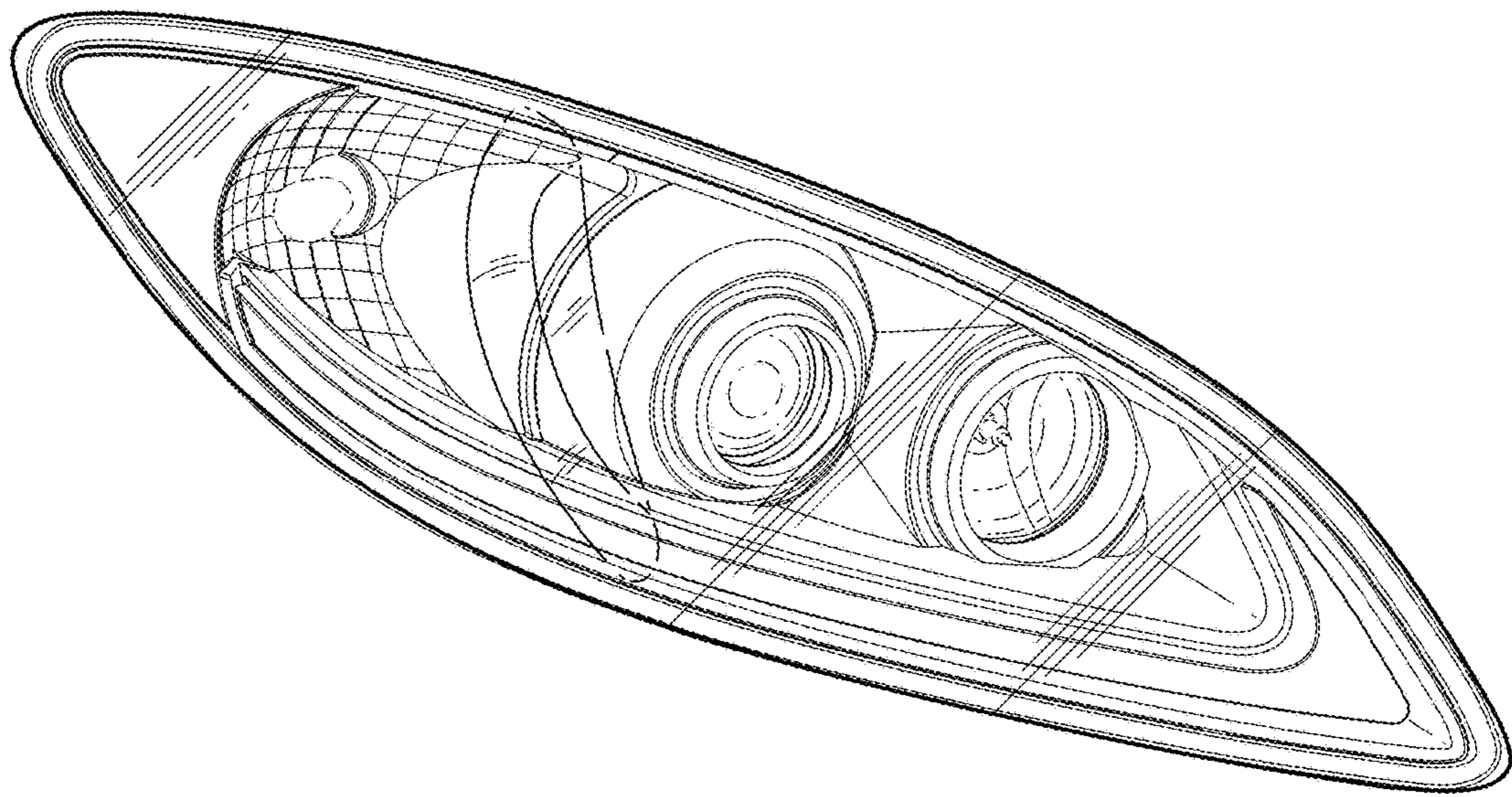


FIG. 1

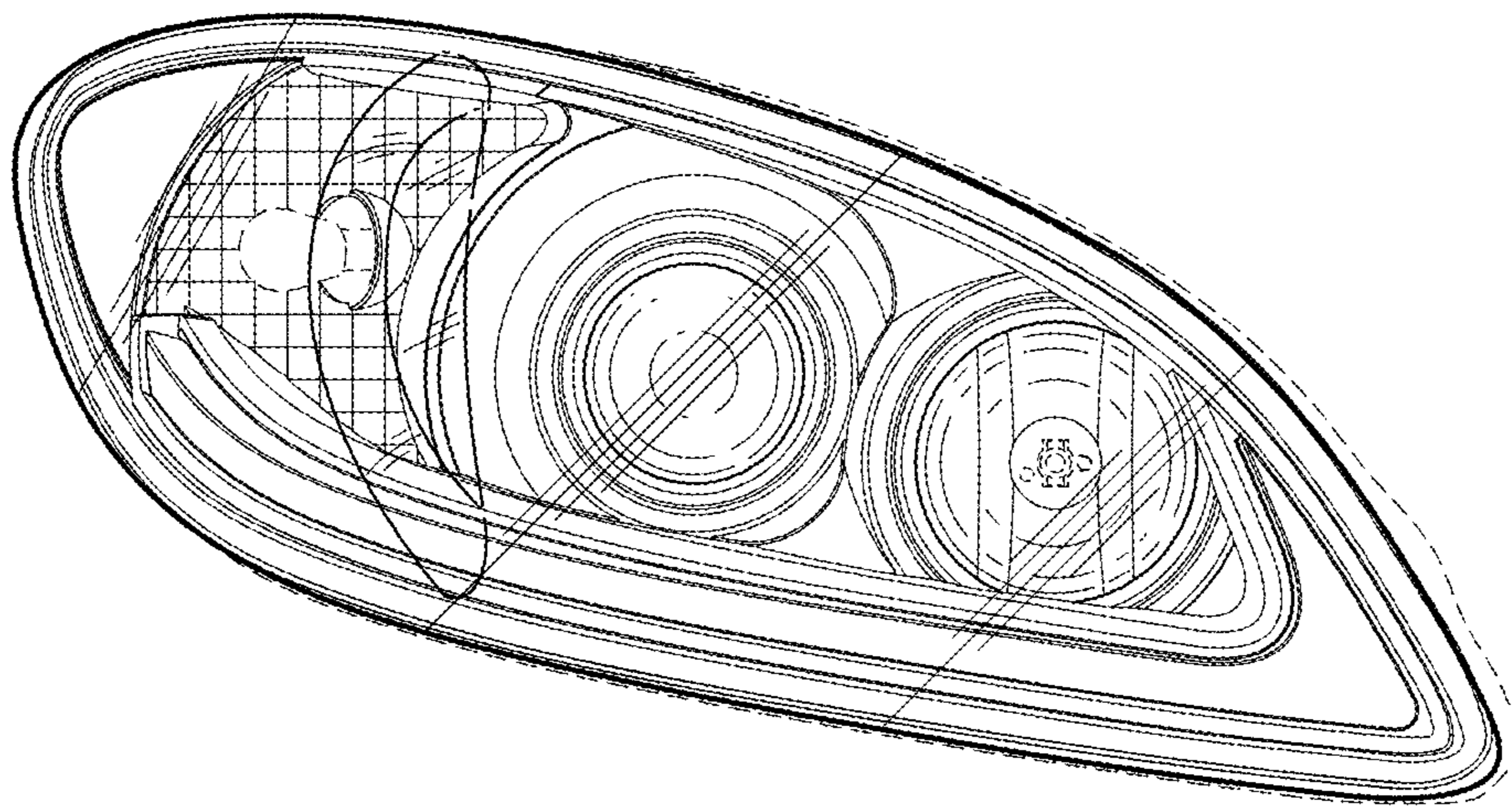


FIG. 2

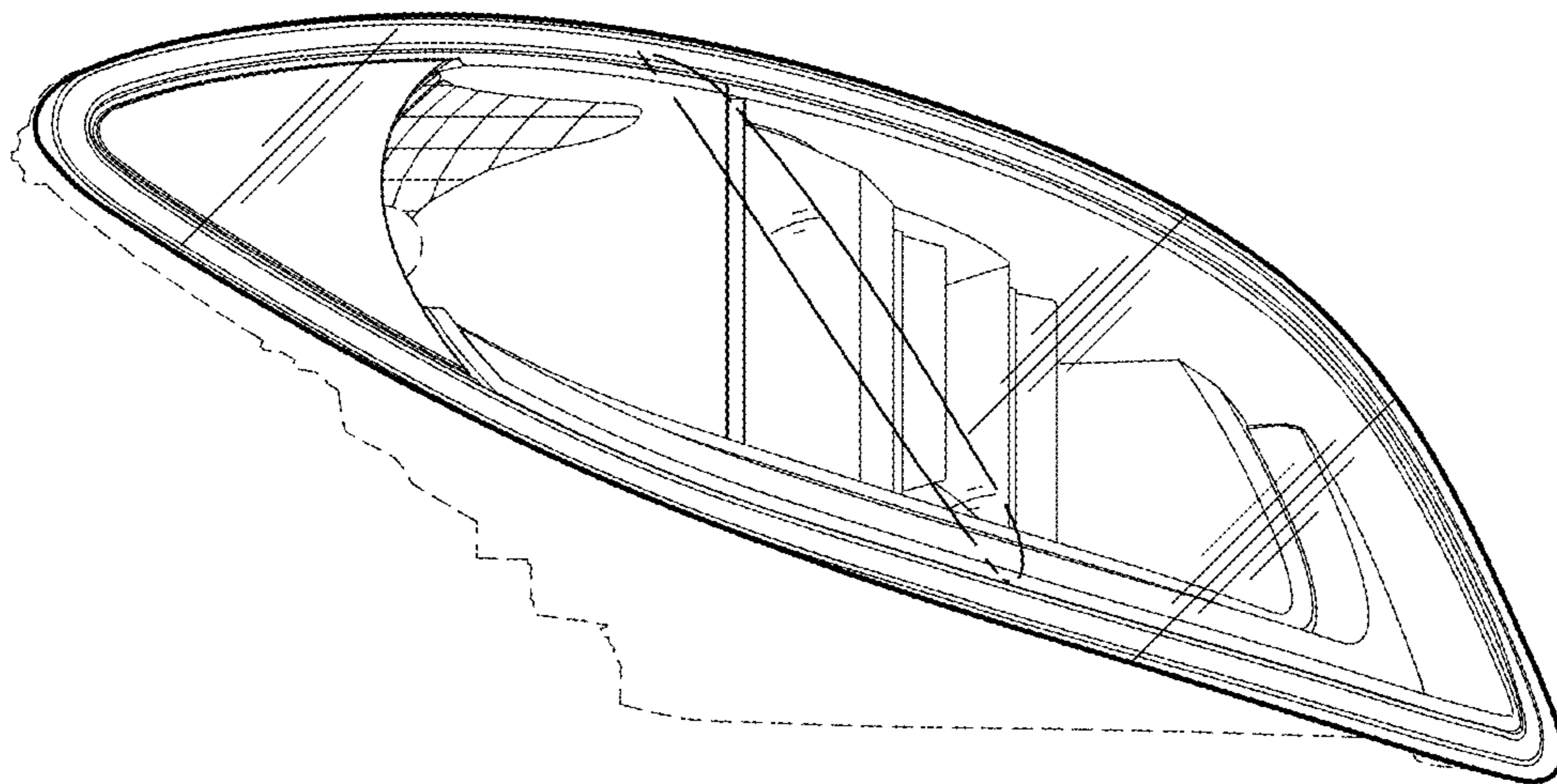


FIG. 3

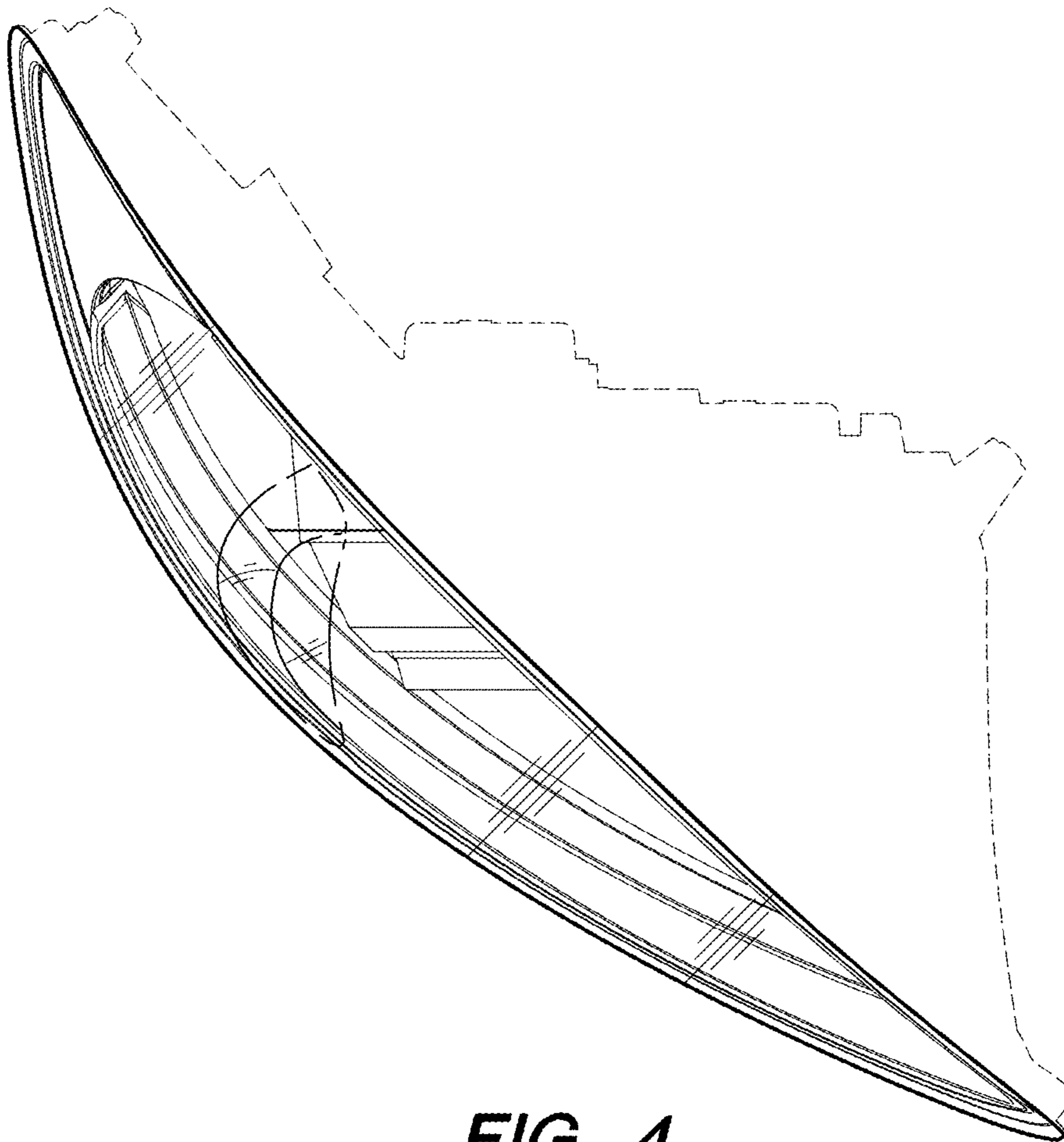


FIG. 4