



US00D787717S

(12) **United States Design Patent** (10) **Patent No.:** **US D787,717 S**
Jacq et al. (45) **Date of Patent:** **** May 23, 2017**

(54) **LIGHTING DEVICE**
(71) Applicant: **VALEO VISION**, Bobigny (FR)
(72) Inventors: **Alain Jacq**, Le Perreux sur Marne (FR); **Laurent Sauzay**, Villejuif (FR)
(73) Assignee: **VALEO VISION**, Bobigny (FR)
(**) Term: **15 Years**

D739,577 S * 9/2015 Kani D26/28
D739,581 S * 9/2015 Huang D26/28
D741,528 S * 10/2015 Glover D26/28
D744,676 S * 12/2015 Lai D26/28
D747,517 S * 1/2016 Lai D26/28
D747,524 S * 1/2016 Jacq D26/63
D757,969 S * 5/2016 Fan D26/28
D760,407 S * 6/2016 Yang D26/28

(21) Appl. No.: **29/535,341**
(22) Filed: **Aug. 5, 2015**
(30) **Foreign Application Priority Data**

Jul. 30, 2015 (WO) 911422601
(51) **LOC (10) Cl.** **26-07**
(52) **U.S. Cl.**
USPC **D26/28**
(58) **Field of Classification Search**
USPC D26/28-36; 362/459-468, 475-478,
362/485-487
CPC F21S 48/00; F21S 48/10; F21S 48/115;
F21S 48/225; F21S 48/1233; F21S
48/1266; F21S 48/1388; F21S 48/2268;
F21V 21/04
See application file for complete search history.

(56) **References Cited**

U.S. PATENT DOCUMENTS

D235,227 S 5/1975 Cleary
D360,961 S 8/1995 Czerlanis et al.
D417,024 S 11/1999 Stuyfzand
D578,685 S * 10/2008 Manus D26/28
D613,440 S 4/2010 Lindholm
D693,500 S 11/2013 Souvay et al.
D694,928 S 12/2013 Chen
D708,373 S * 7/2014 Kani D26/28
D711,023 S * 8/2014 Wu D26/28
D712,079 S * 8/2014 DiPenti D26/28

OTHER PUBLICATIONS

U.S. Appl. No. 29/535,347, filed Aug. 5, 2015, Jacq et al.
U.S. Appl. No. 29/535,345, filed Aug. 5, 2015, Jacq et al.
U.S. Appl. No. 29/462,943, filed Aug. 9, 2013, Jacq et al.

* cited by examiner

Primary Examiner — Angela J Lee

(74) *Attorney, Agent, or Firm* — Oblon, McClelland, Maier & Neustadt, L.L.P.

(57) **CLAIM**

The ornamental design for a lighting device, as shown and described.

DESCRIPTION

The present application is related to U.S. patent application Ser. No. 29/462,943, filed Aug. 9, 2013, the entire contents and disclosure of which are incorporated by reference herein.

FIG. 1 is a front, top, and left side perspective view of a lighting device;

FIG. 2 is a front and top perspective view thereof;

FIG. 3 is a front elevational view thereof;

FIG. 4 is a rear elevational view thereof;

FIG. 5 is a top plan view thereof;

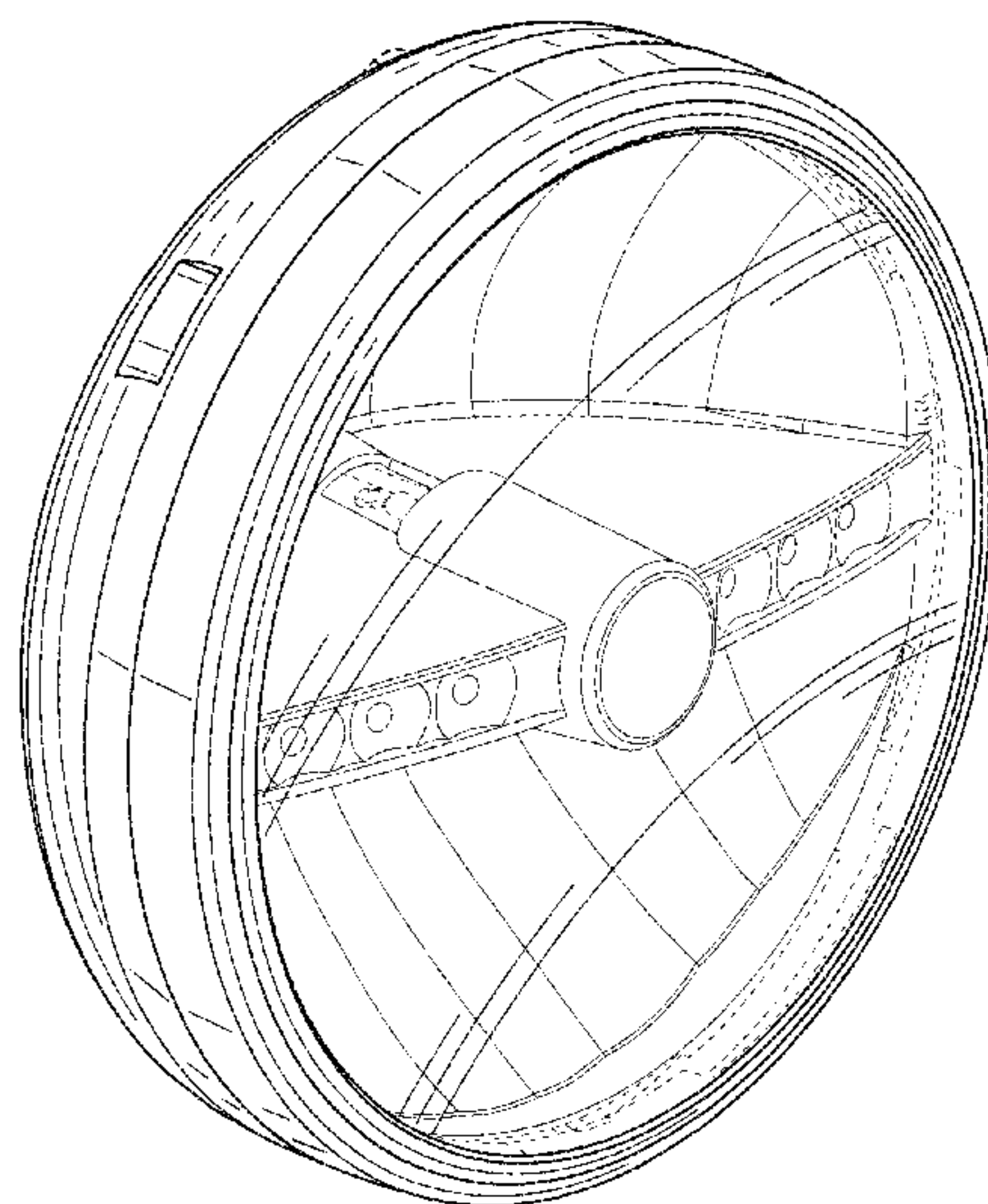
FIG. 6 is a bottom plan view thereof;

FIG. 7 is a right side elevational view thereof; and,

FIG. 8 is a left side elevational view thereof.

The broken lines in the drawings illustrate environmental subject matter and form no part of the claimed design.

1 Claim, 8 Drawing Sheets



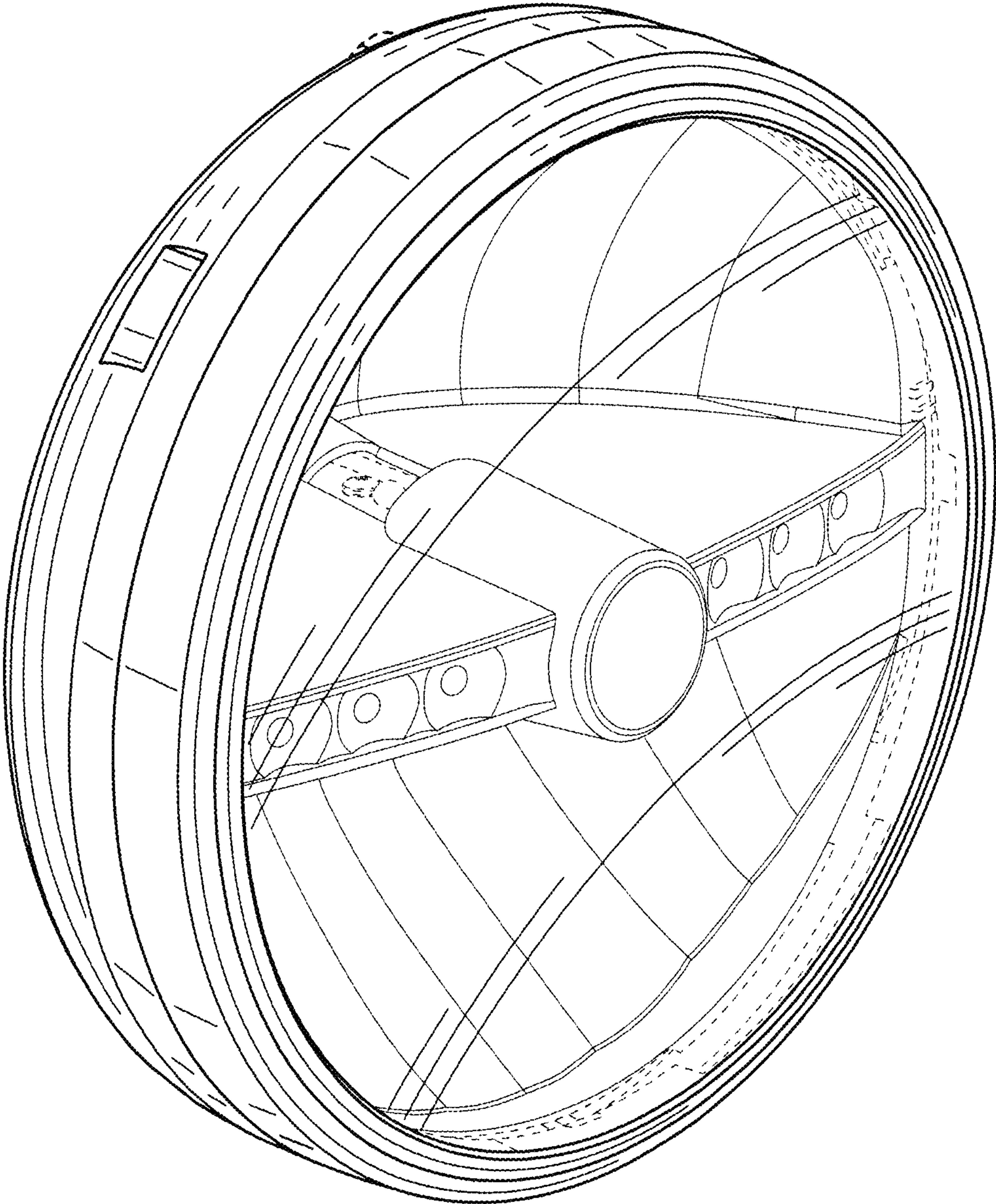


FIG. 1

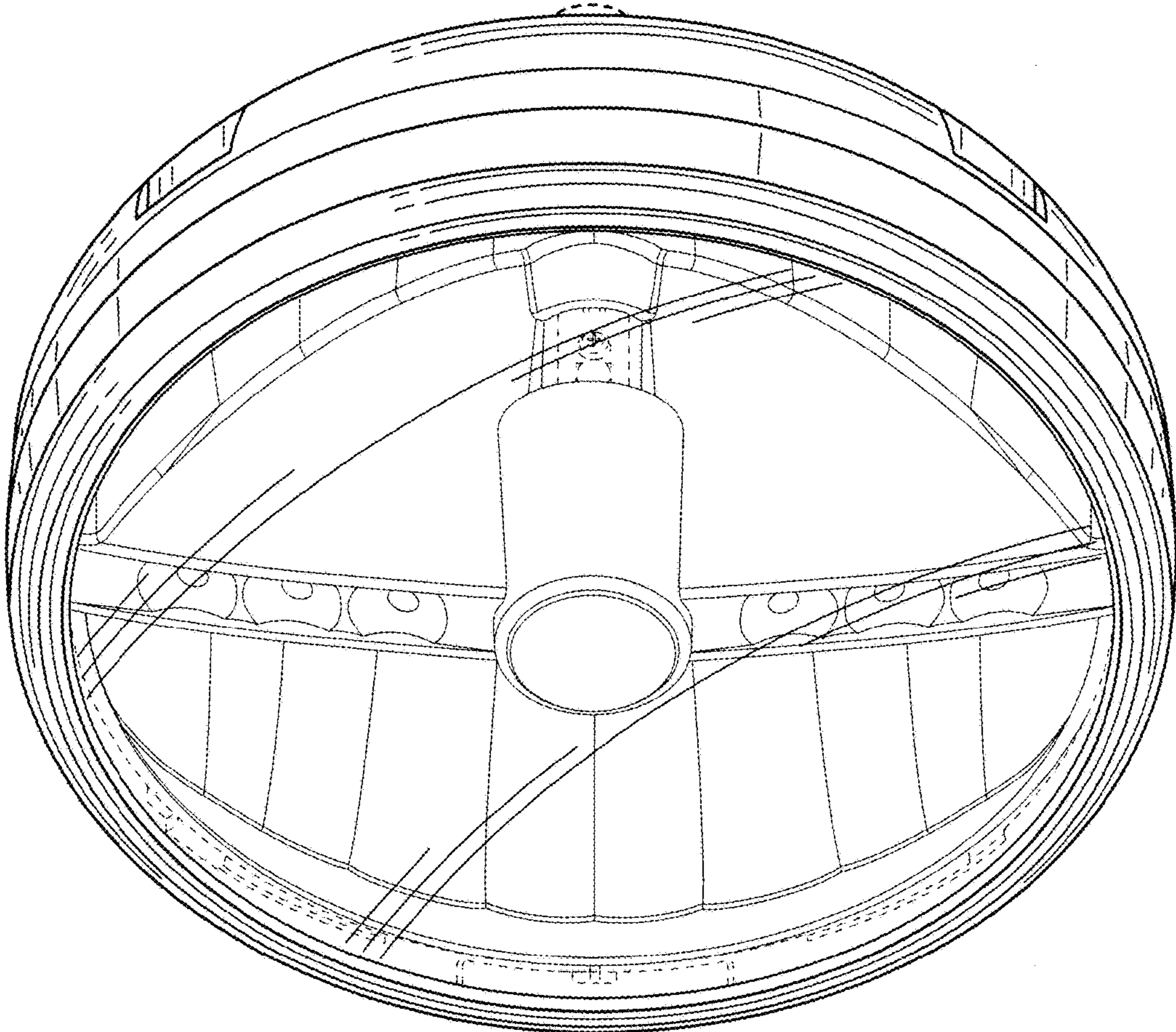


FIG. 2

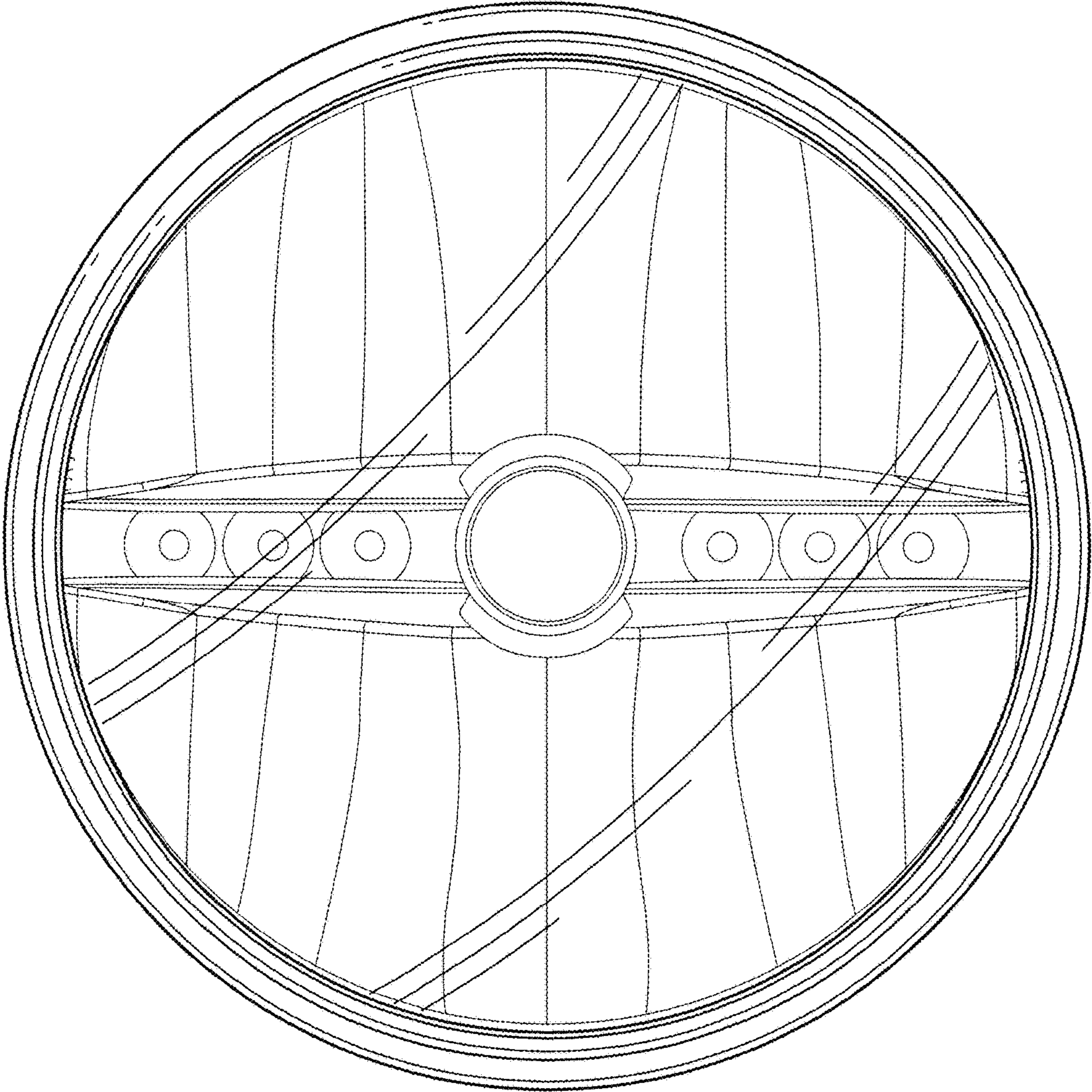


FIG. 3

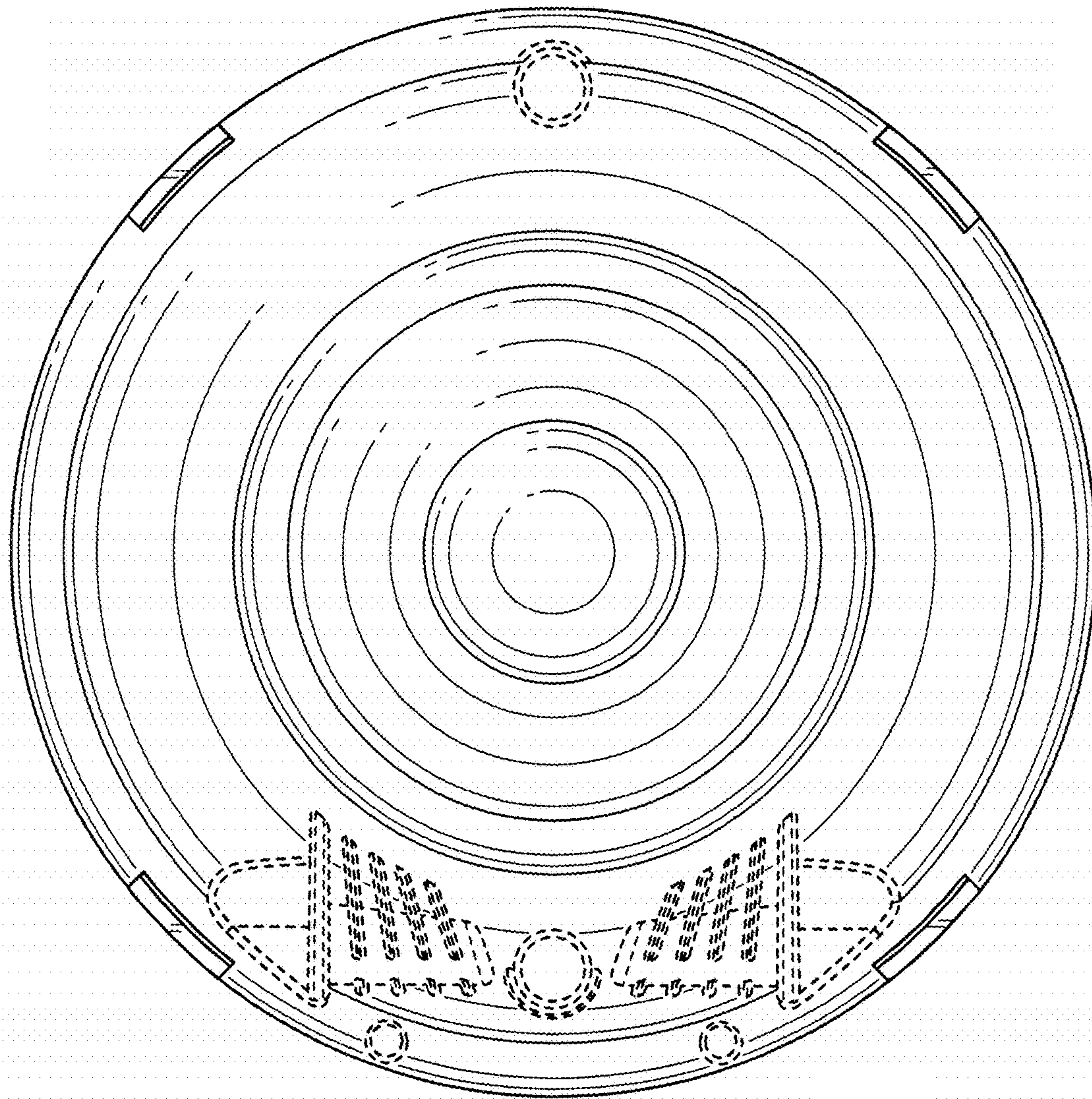


FIG. 4

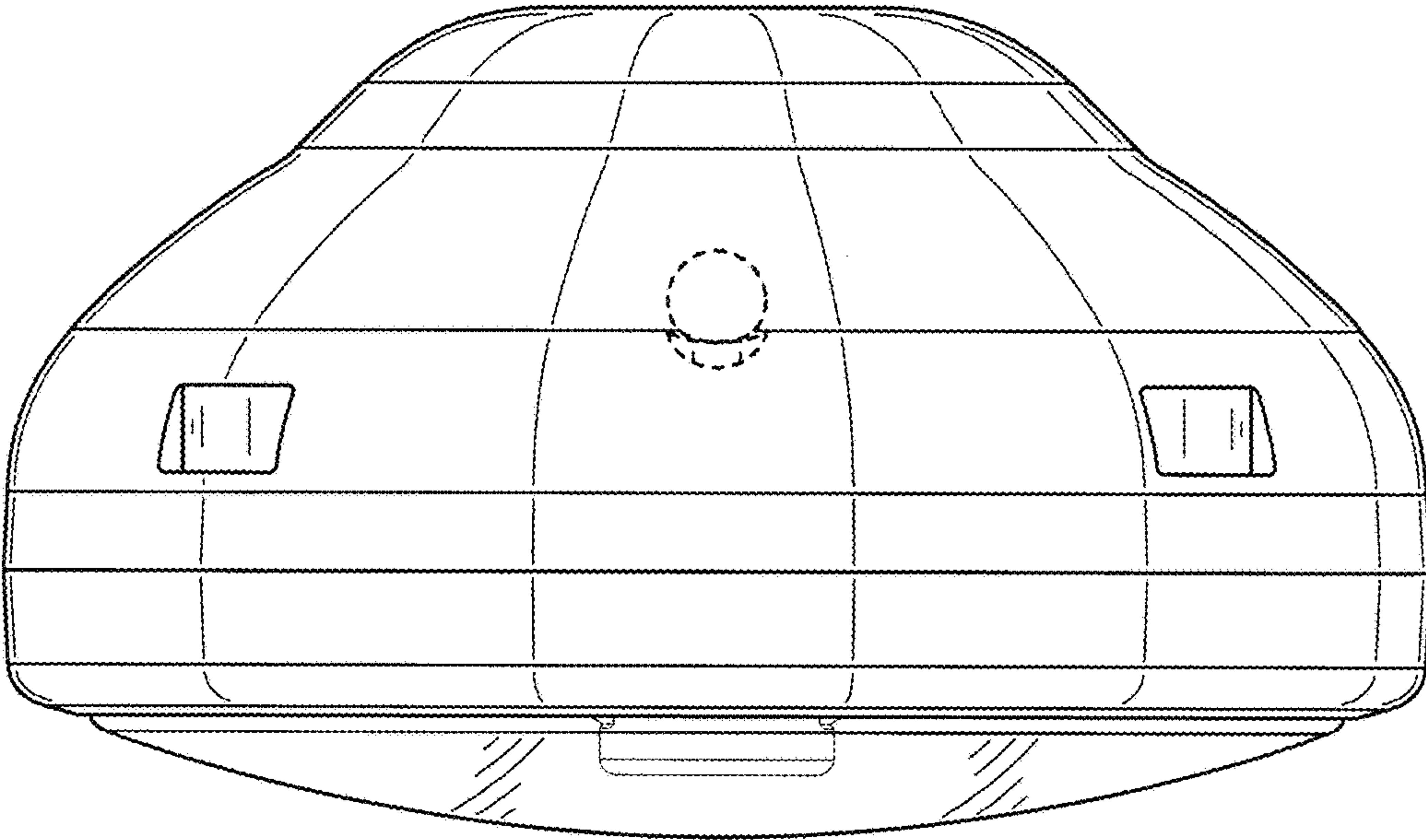


FIG. 5

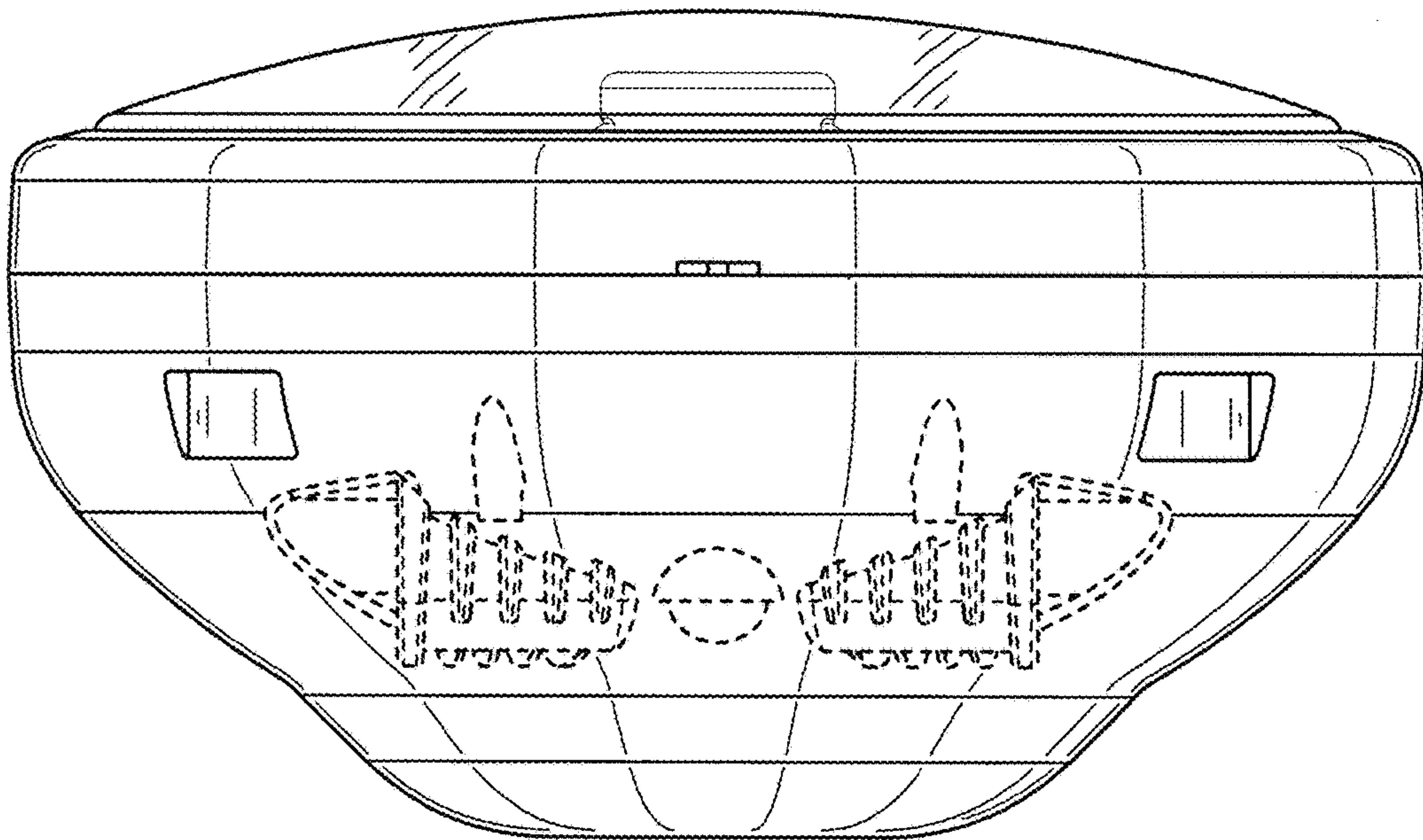


FIG. 6

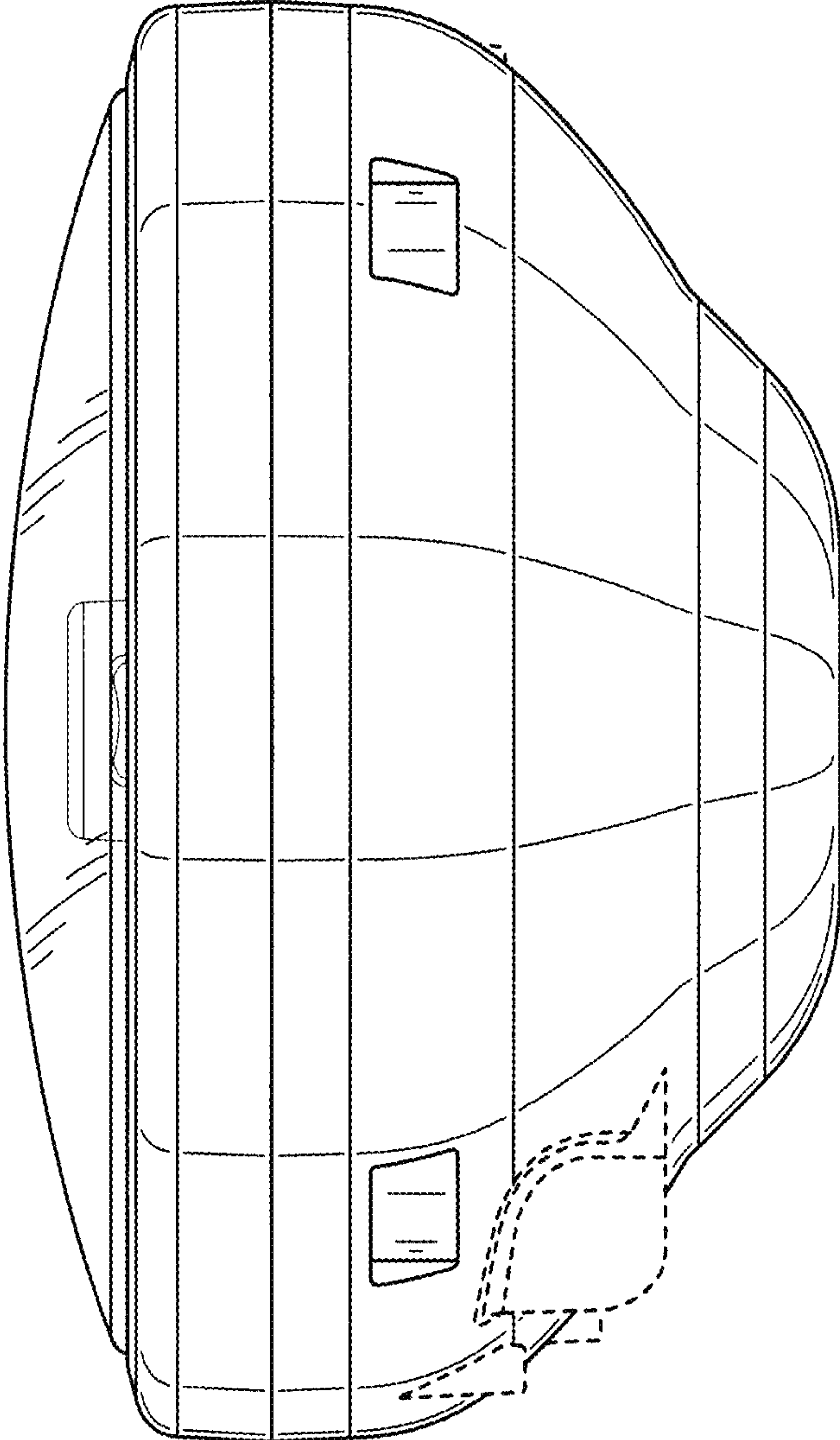


FIG. 7

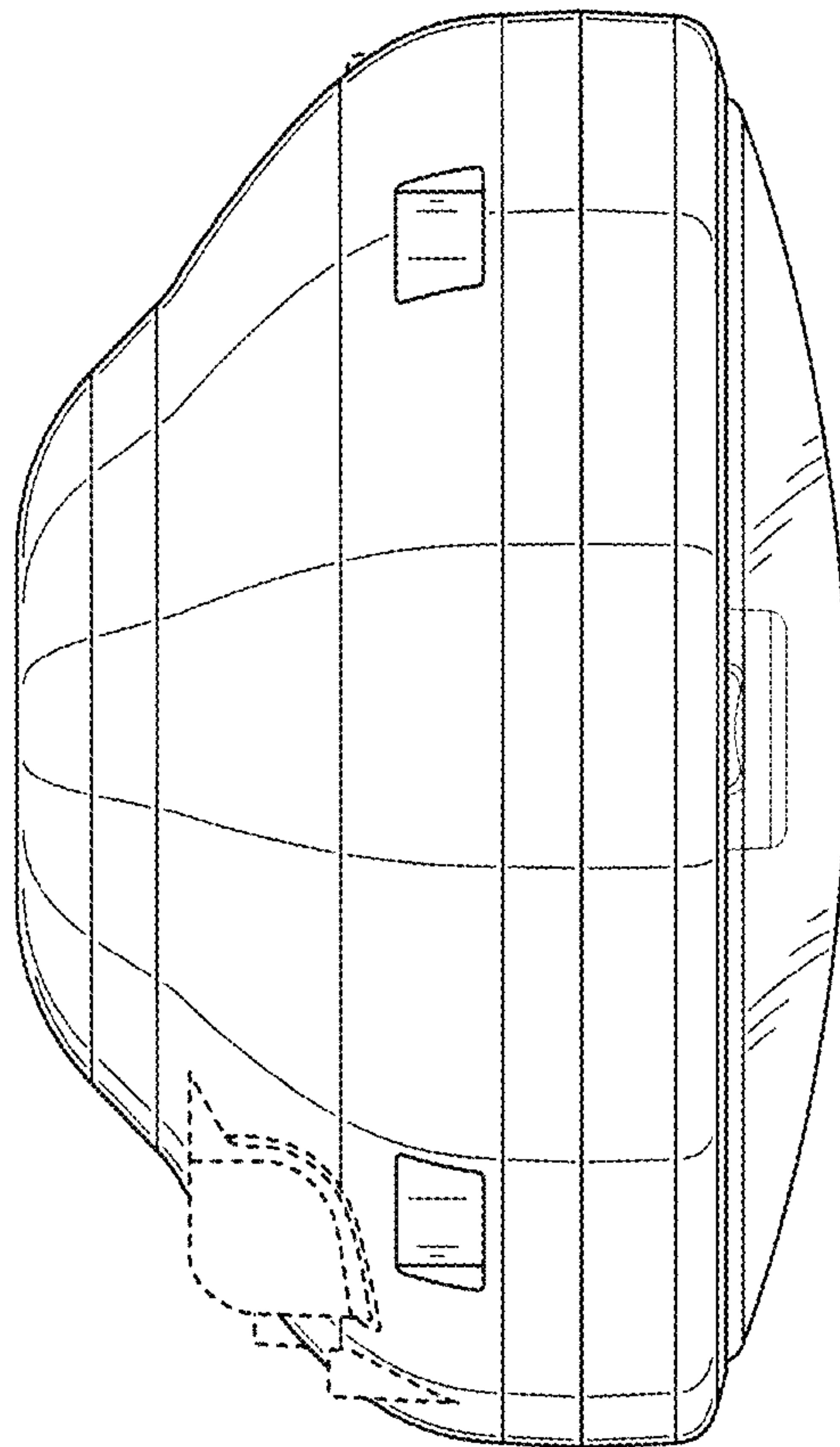


FIG. 8