



US00D787714S

(12) **United States Design Patent** (10) **Patent No.:** **US D787,714 S**  
**Wang et al.** (45) **Date of Patent:** **\*\* May 23, 2017**

(54) **LED FILAMENTS AND SUPPORT**  
(71) Applicant: **Hangzhou Star Lighting Corp., Ltd.**,  
Hangzhou, Zhejiang (CN)  
(72) Inventors: **Zhigen Wang**, Hangzhou (CN);  
**Shengxiang Jiang**, Hangzhou (CN);  
**Feng Lin**, Hangzhou (CN); **Zuliang**  
**Chen**, Hangzhou (CN); **Zhao Yang**,  
Hangzhou (CN); **Guopeng Sun**,  
Hangzhou (CN); **Tao Jiang**, Hangzhou  
(CN); **Yuanyong Lu**, Hangzhou (CN)

(73) Assignee: **Hangzhou Star Lighting Corp., Ltd.**,  
Lin'An County, Hangzhou, Zhejiang  
(CN)

(\*\*) Term: **15 Years**

(21) Appl. No.: **29/547,265**

(22) Filed: **Dec. 2, 2015**

(30) **Foreign Application Priority Data**  
Oct. 26, 2015 (CN) ..... 2015 3 0416101  
(51) **LOC (10) Cl.** ..... **26-04**  
(52) **U.S. Cl.**  
USPC ..... **D26/2**  
(58) **Field of Classification Search**  
USPC ..... D26/1-4; 313/313, 315, 316, 317, 318,  
313/493; 315/52, 53, 56, 57, 58  
CPC ..... H01J 5/00; H01J 5/16; H01J 15/00; H01J  
5/48; H01J 5/50; H01J 19/54; F21V 5/00;  
H01R 5/00; H01R 13/46; H01R 31/048  
See application file for complete search history.

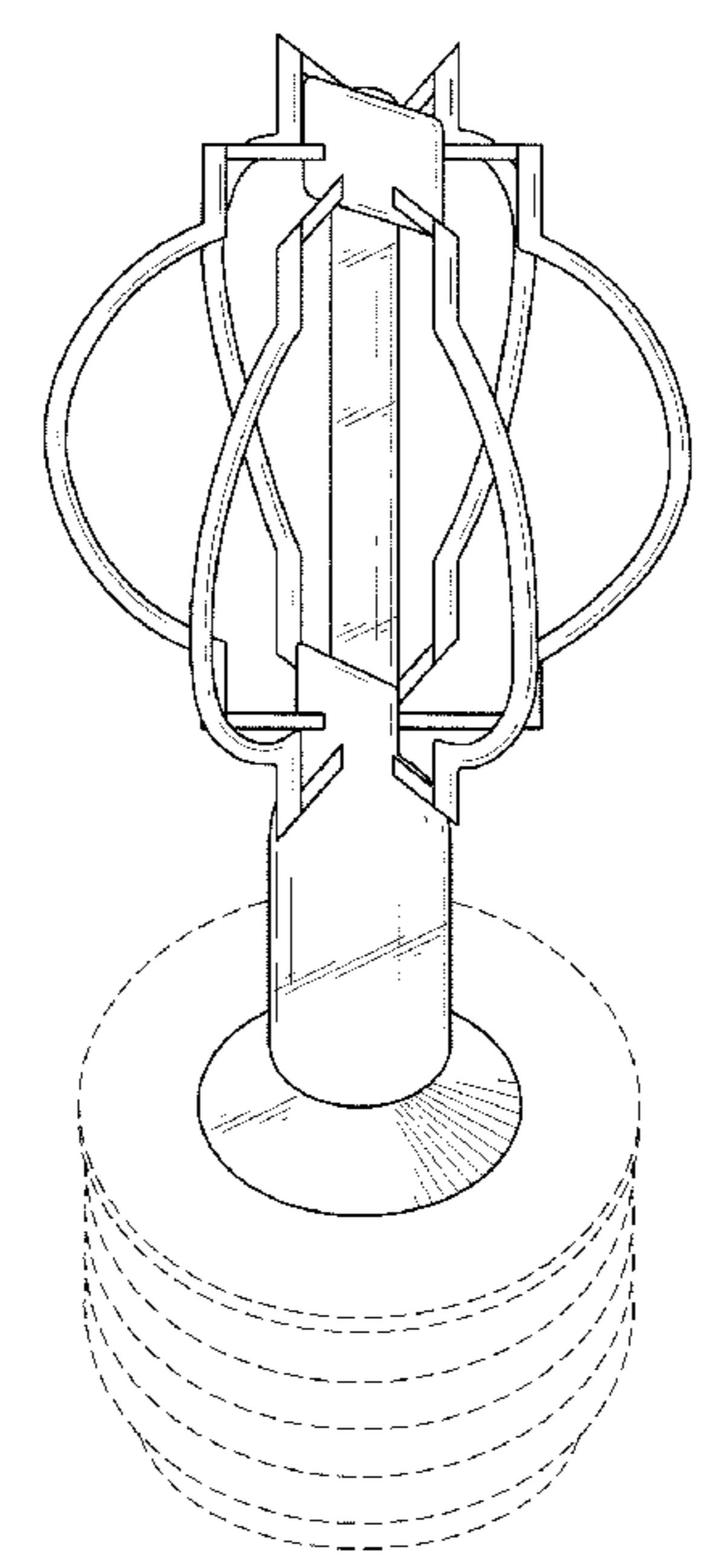
(56) **References Cited**  
U.S. PATENT DOCUMENTS  
D410,554 S \* 6/1999 Guyton ..... D26/2  
D422,099 S \* 3/2000 Kracke ..... D26/2  
D549,360 S \* 8/2007 An ..... D26/2  
D550,864 S \* 9/2007 Hernandez, Jr. .... D26/2  
D689,215 S \* 9/2013 Xue ..... D26/2

\* cited by examiner  
*Primary Examiner* — Marcus Jackson  
(74) *Attorney, Agent, or Firm* — Muncy, Geissler, Olds &  
Lowe, P.C.

(57) **CLAIM**  
The ornamental design for LED filaments and support, as  
shown and described.

**DESCRIPTION**  
FIG. 1 is a top perspective view of a first embodiment of  
LED filaments and support showing our new design;  
FIG. 2 is a front elevational view thereof, the rear elevational  
view being a mirror image thereof;  
FIG. 3 is a right side view thereof, the left side view being  
a mirror image thereof;  
FIG. 4 is a top plan view thereof;  
FIG. 5 is a top perspective view of a second embodiment of  
LED filaments and support showing our new design;  
FIG. 6 is a front elevational view thereof, the rear elevational  
view being a mirror image thereof;  
FIG. 7 is a right side view thereof, the left side view being  
a mirror image thereof; and,  
FIG. 8 is a top plan view thereof.  
The broken line showing is for the purpose of illustrating  
portions of the LED filaments and support which form no  
part of the claimed design.

**1 Claim, 8 Drawing Sheets**



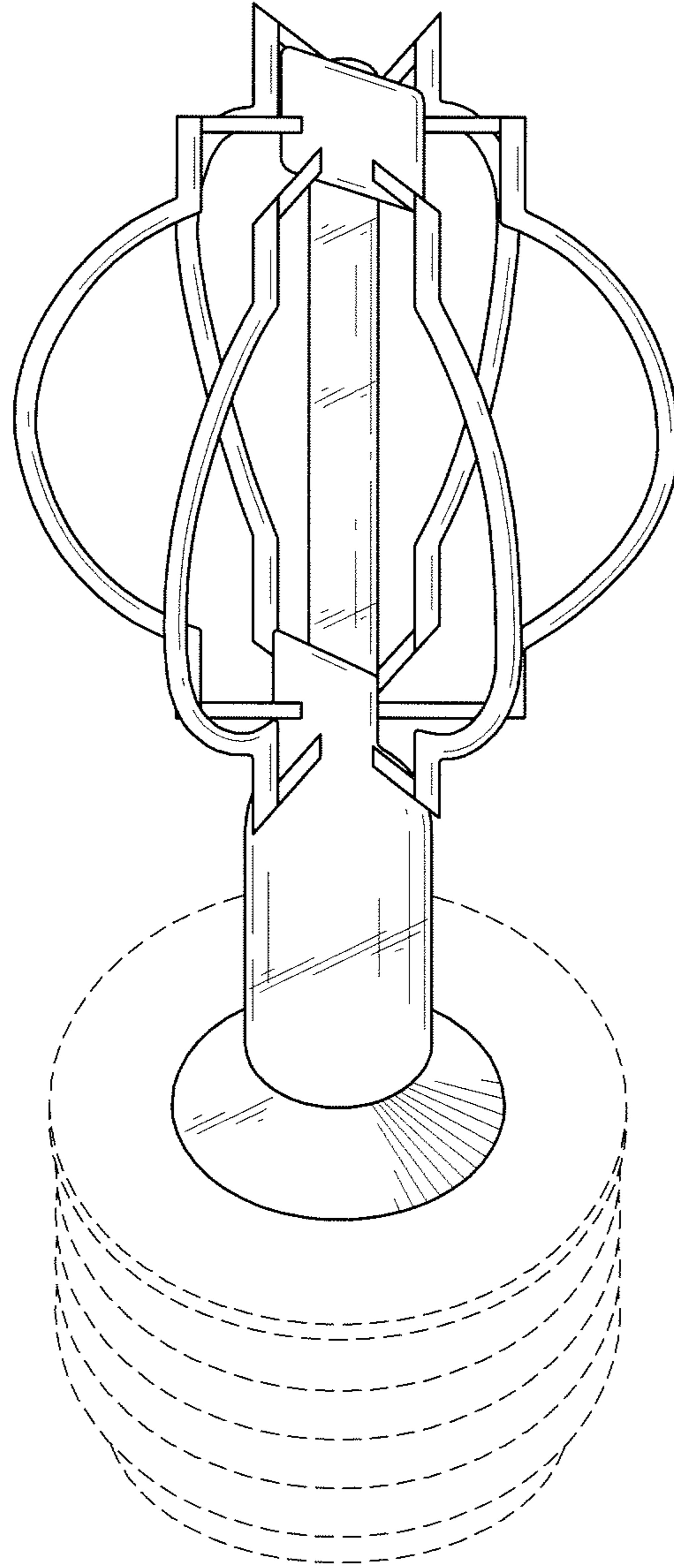


FIG.1

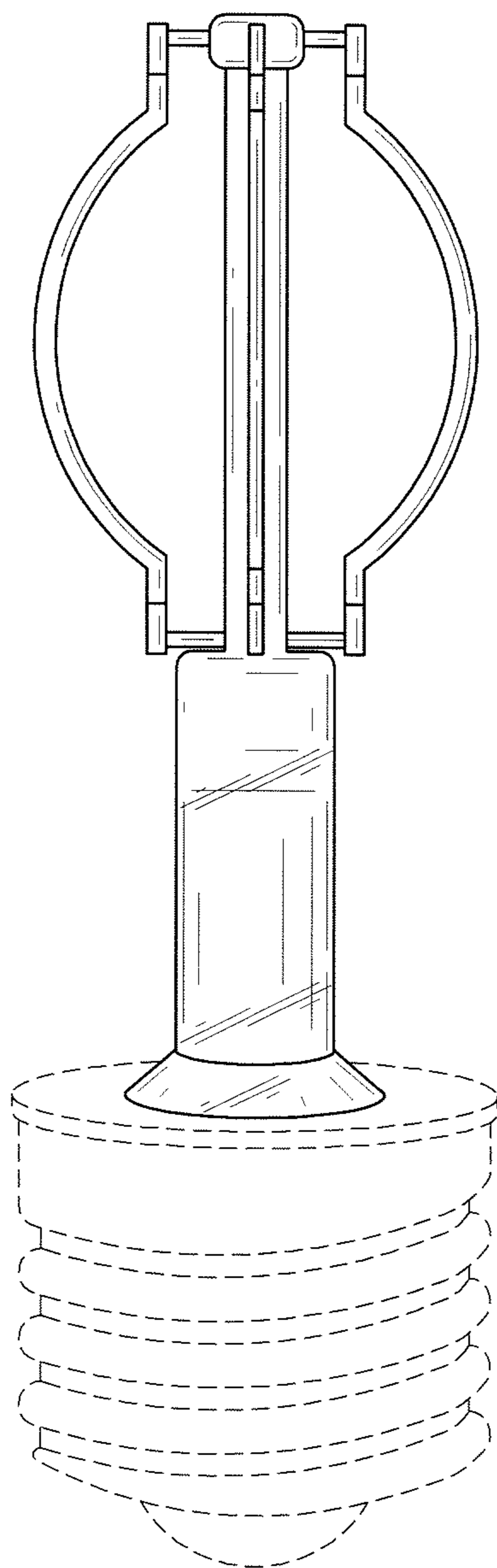


FIG.2

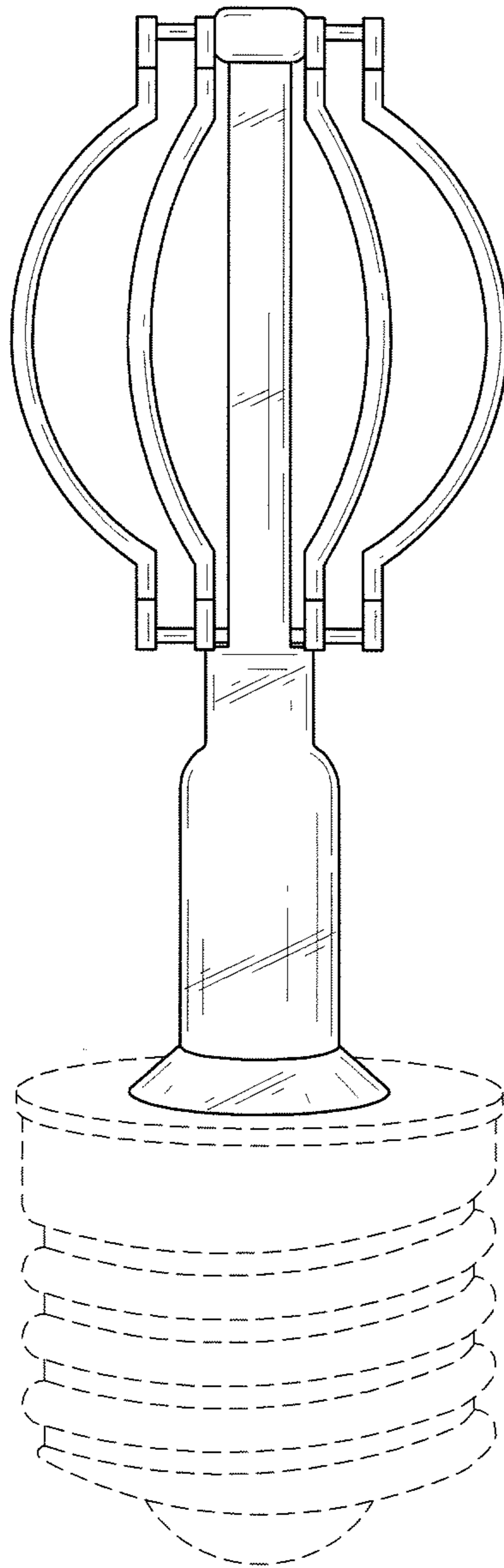


FIG.3

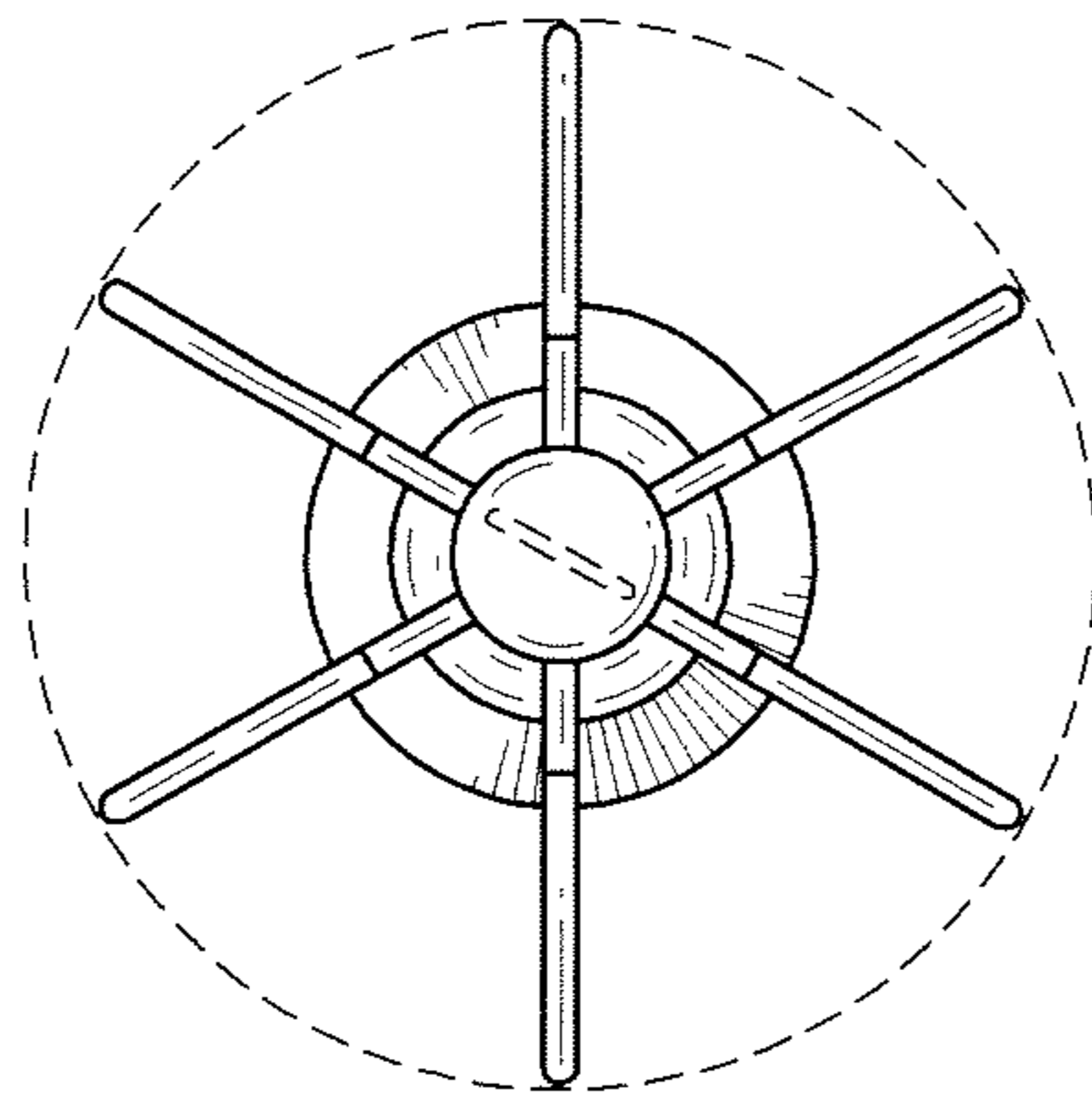


FIG.4

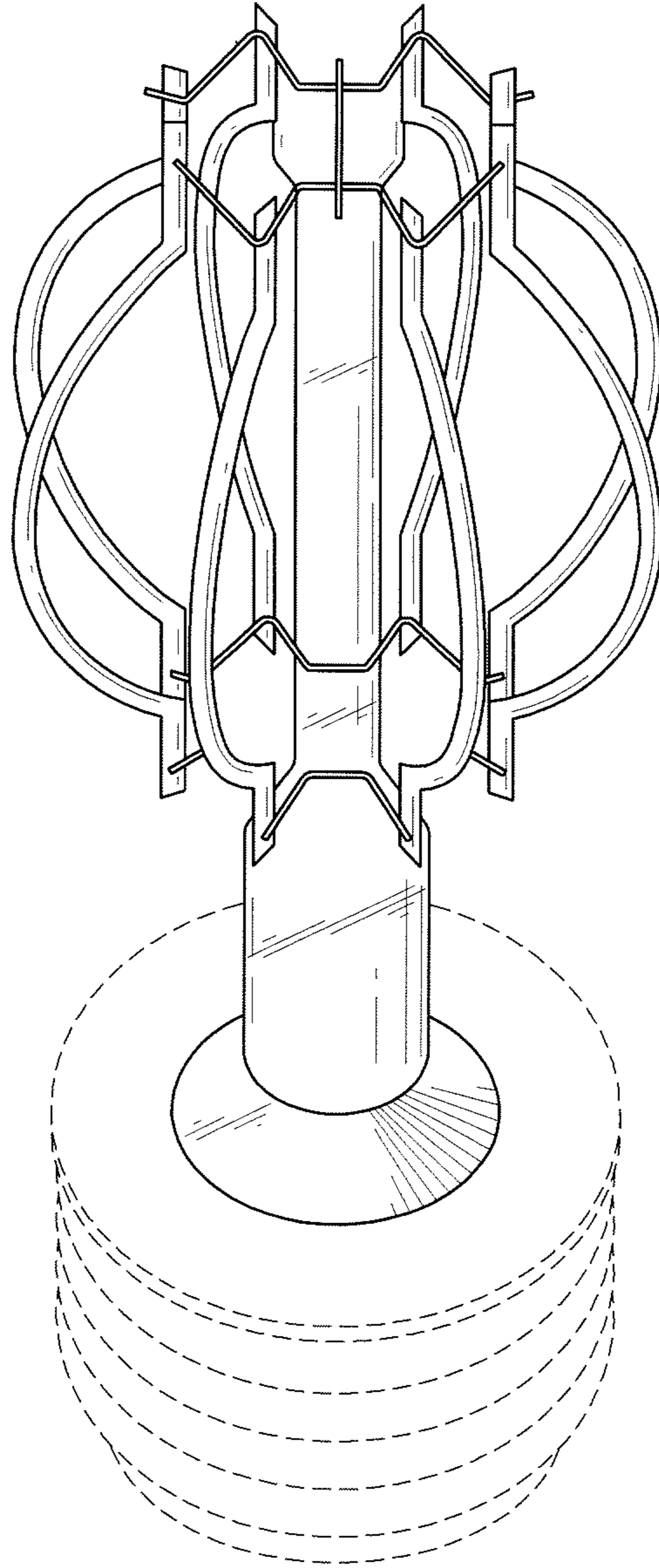


FIG.5

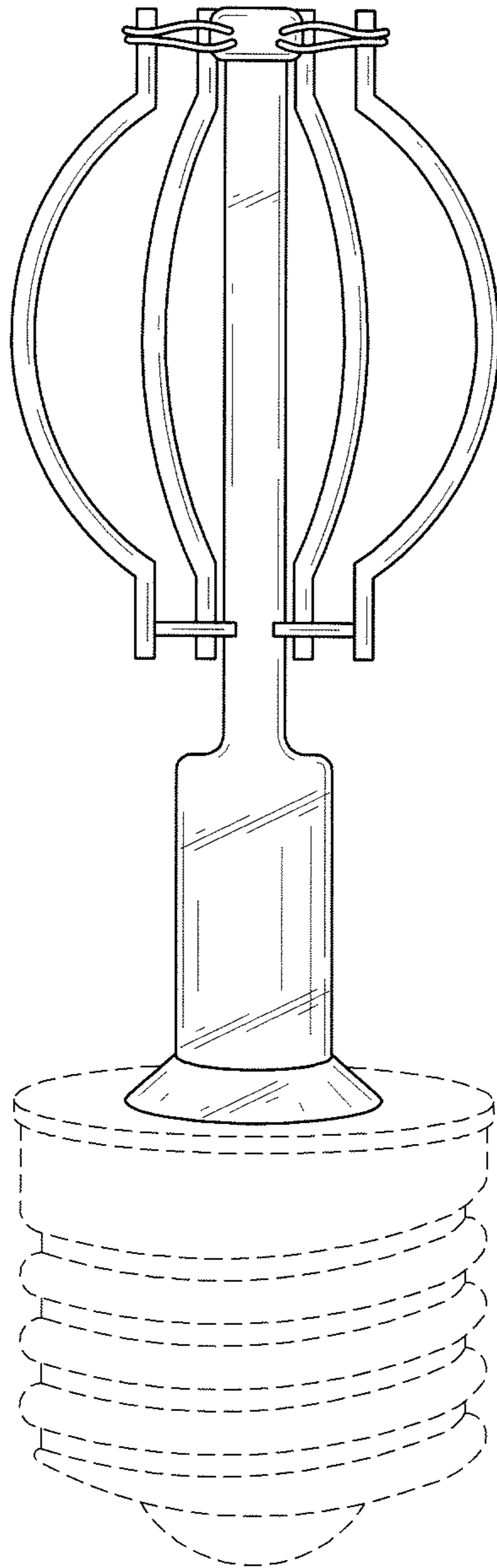


FIG.6

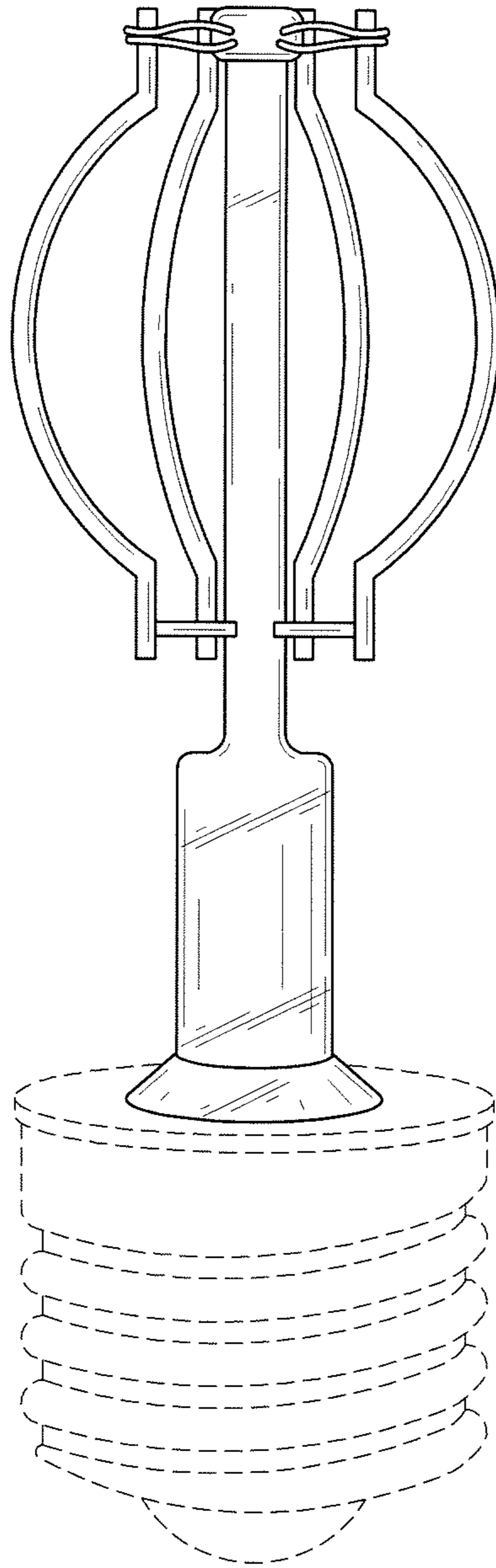


FIG.7



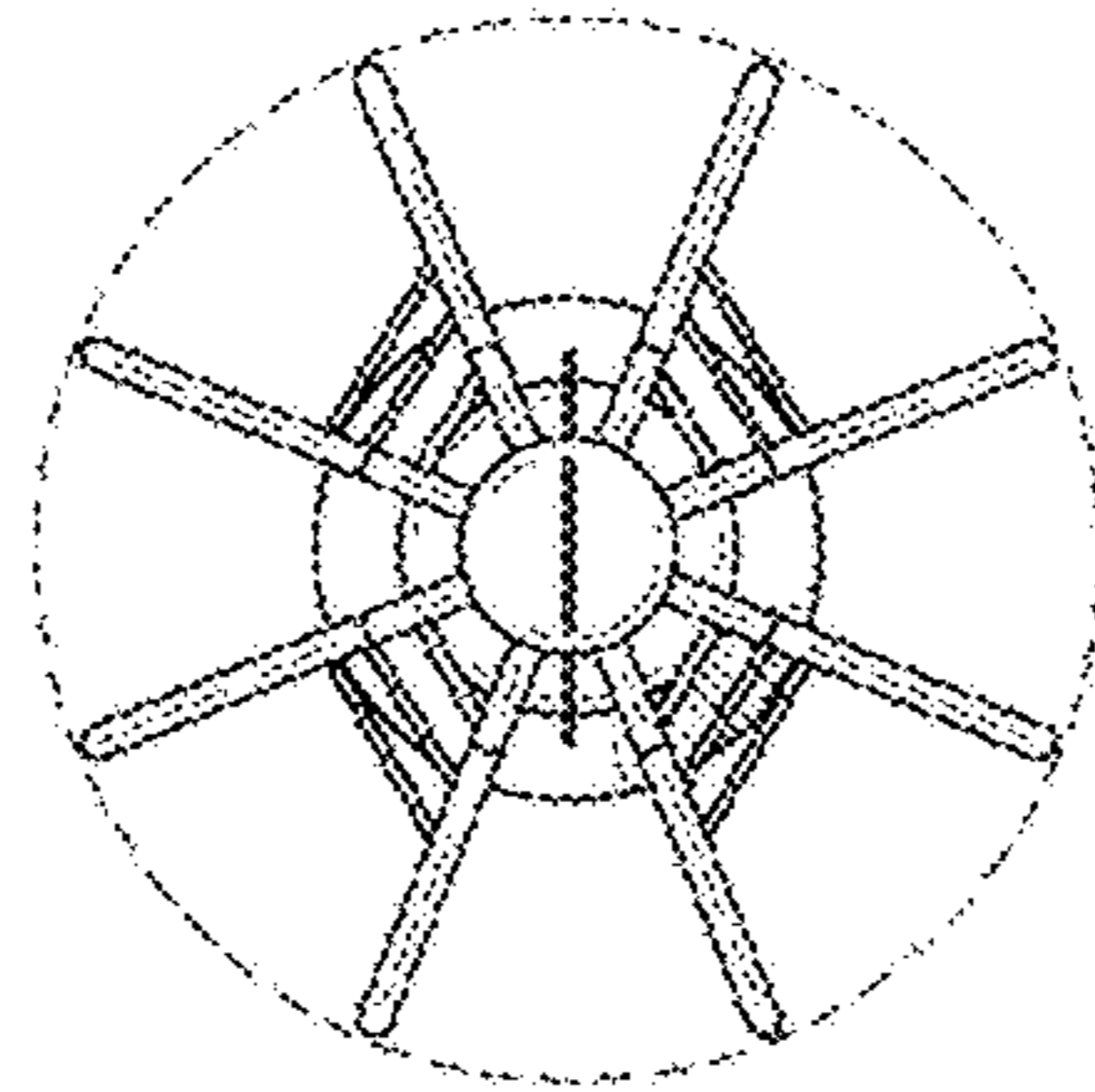


FIG. 8