



US00D787712S

(12) **United States Design Patent**
Wu et al.

(10) **Patent No.:** **US D787,712 S**

(45) **Date of Patent:** **** May 23, 2017**

(54) **LED PACKAGE**

(71) Applicant: **UNITY OPTO TECHNOLOGY CO., LTD.**, New Taipei (TW)

(72) Inventors: **Ching-Huei Wu**, New Taipei (TW);
Wei-Chung Lin, New Taipei (TW);
Yung-Ching Hu, New Taipei (TW);
Cheng-Chien Ou, New Taipei (TW)

(73) Assignee: **Unity Opto Technology Co., Ltd.**,
New Taipei (TW)

(**) Term: **15 Years**

(21) Appl. No.: **29/557,437**

(22) Filed: **Mar. 9, 2016**

(30) **Foreign Application Priority Data**

Feb. 5, 2016 (TW) 105300628

(51) **LOC (10) Cl.** **26-04**

(52) **U.S. Cl.**
USPC **D26/1**

(58) **Field of Classification Search**
USPC D26/1-4; 362/80-83; D13/80
CPC ... H01L 25/167; H01L 25/0753; H01L 27/15;
H01L 31/02; H01L 33/00; H01L 33/04;
H01L 33/08; H01L 33/10; H01L 33/20;
H01L 33/38; H01L 33/42; H01L 33/48;
F21K 9/135; F21K 9/30; F21K 9/50
See application file for complete search history.

(56) **References Cited**

U.S. PATENT DOCUMENTS

D506,732 S *	6/2005	Wang	D13/180
D565,750 S *	4/2008	Egawa	D26/1
D594,576 S *	6/2009	Chan	D26/1
D621,968 S *	8/2010	Schultz	D26/1
D731,088 S *	6/2015	Cheng	D13/180
D731,680 S *	6/2015	Pu	D13/180

* cited by examiner

Primary Examiner — Marcus Jackson

(74) *Attorney, Agent, or Firm* — Rosenberg, Klein & Lee

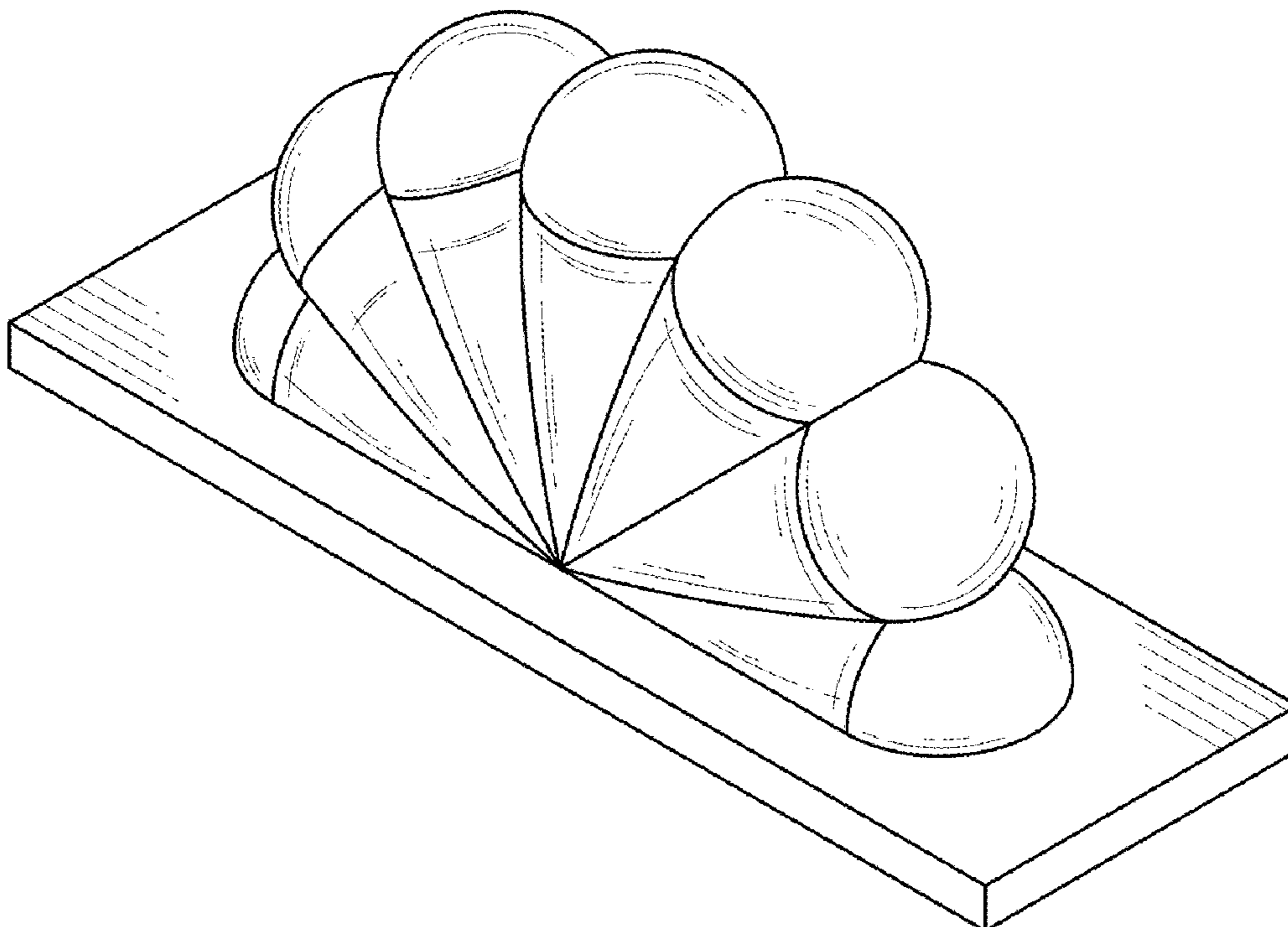
(57) **CLAIM**

The ornamental design for a “LED package,” as shown and described.

DESCRIPTION

FIG. 1 is a perspective view of a “LED package” showing my new design;
FIG. 2 is a front view thereof;
FIG. 3 is a rear view thereof;
FIG. 4 is a left side view thereof;
FIG. 5 is a right side view thereof;
FIG. 6 is a top view thereof;
FIG. 7 is a bottom view thereof; and,
FIG. 8 is another perspective view thereof.

1 Claim, 5 Drawing Sheets



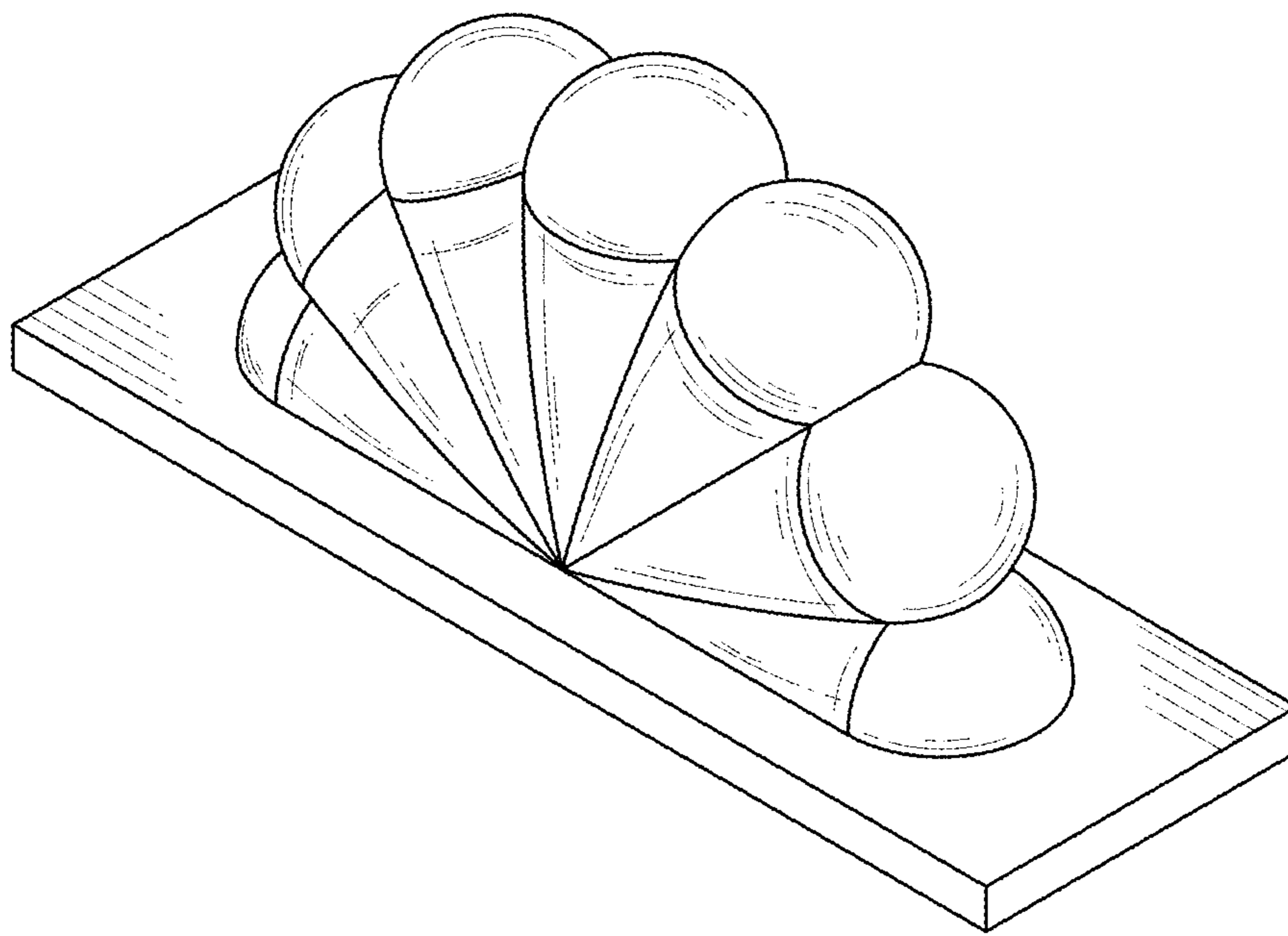


Fig. 1

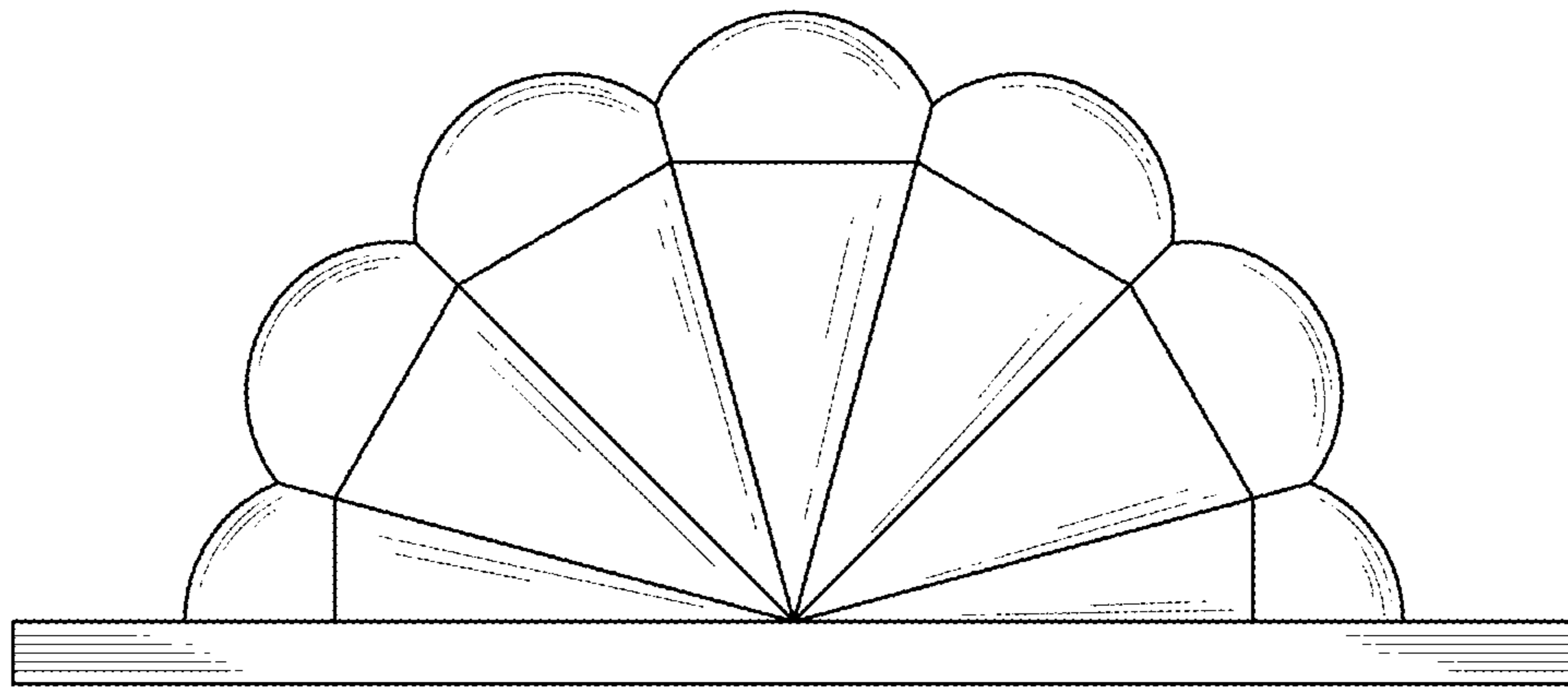


Fig. 2

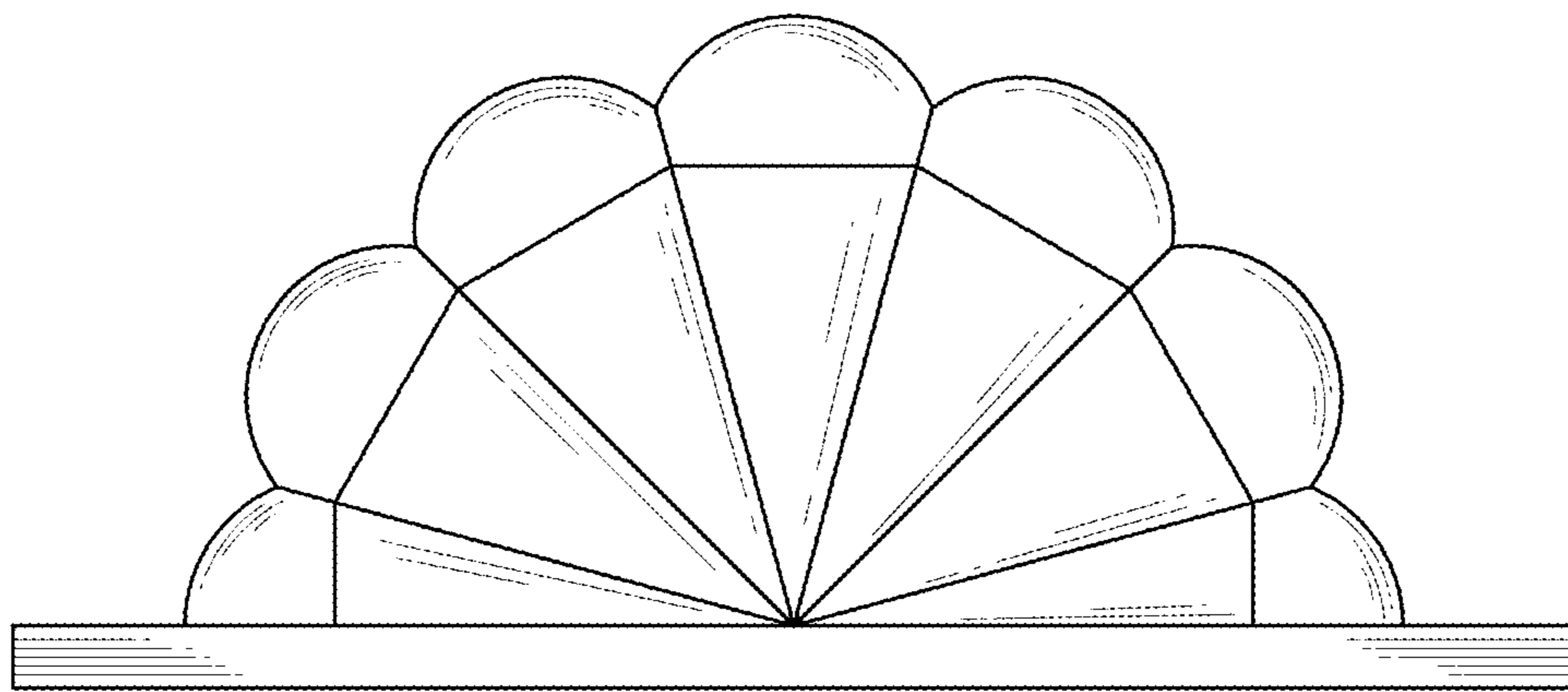


Fig. 3

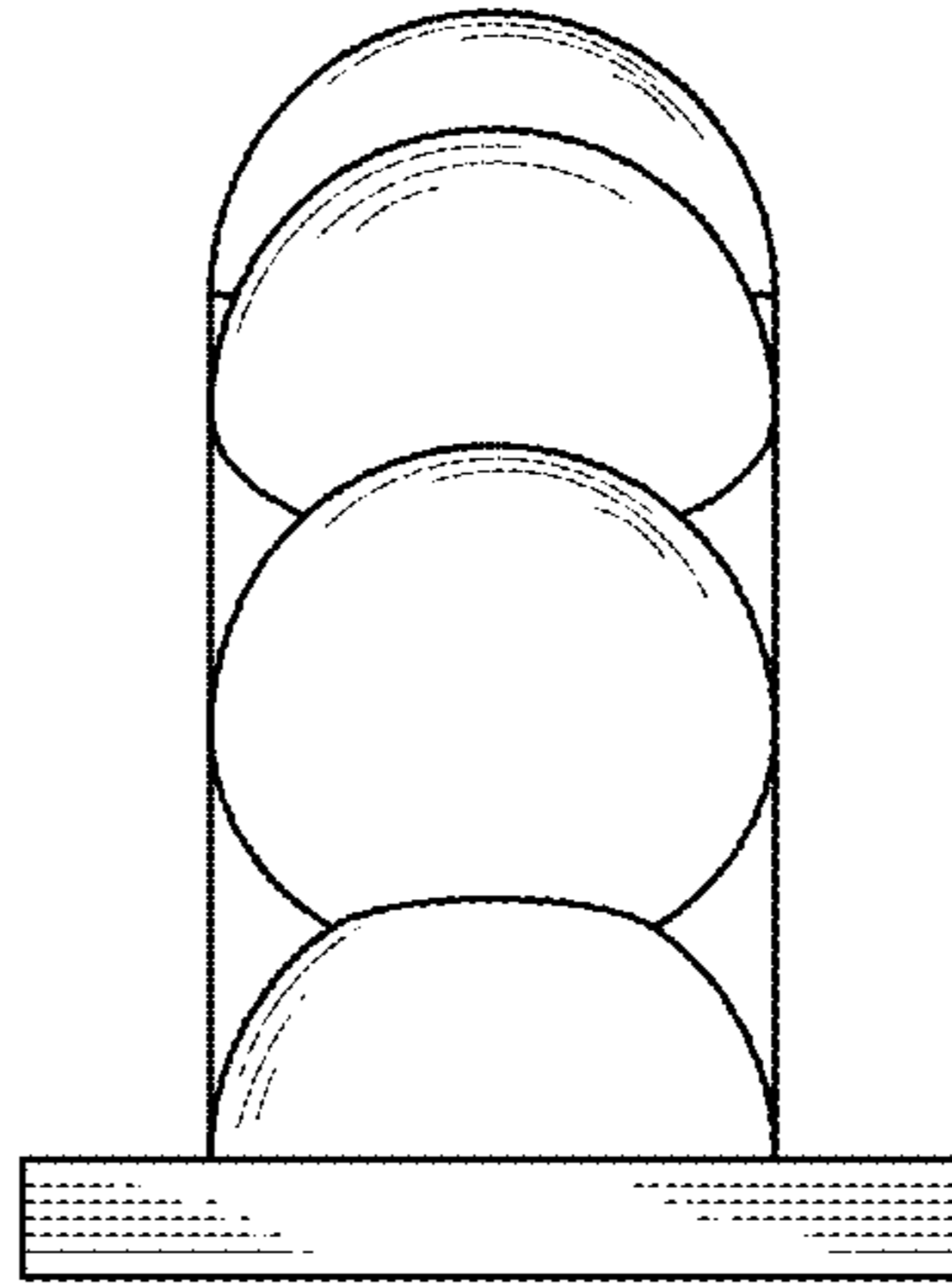


Fig. 4

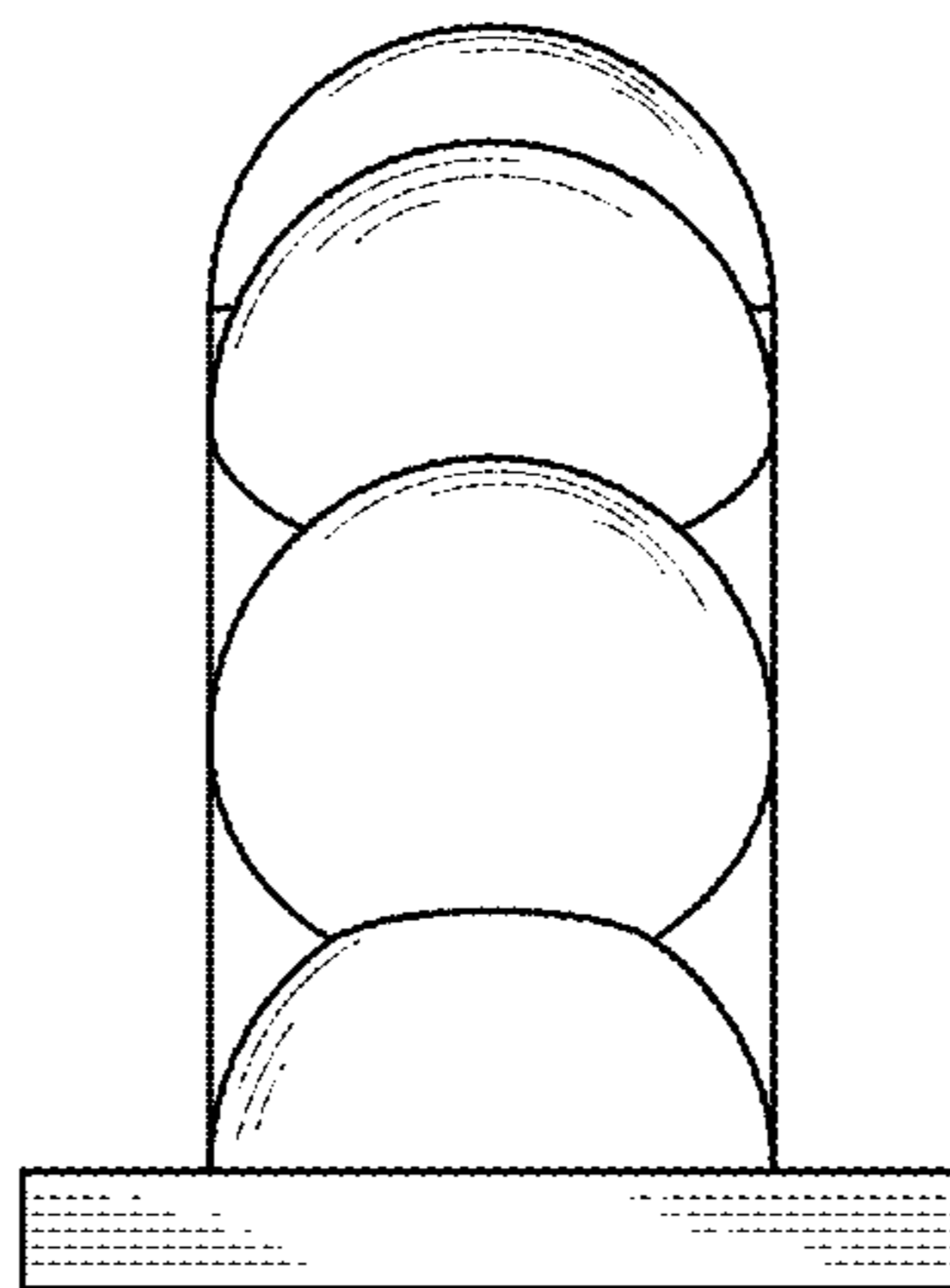


Fig. 5

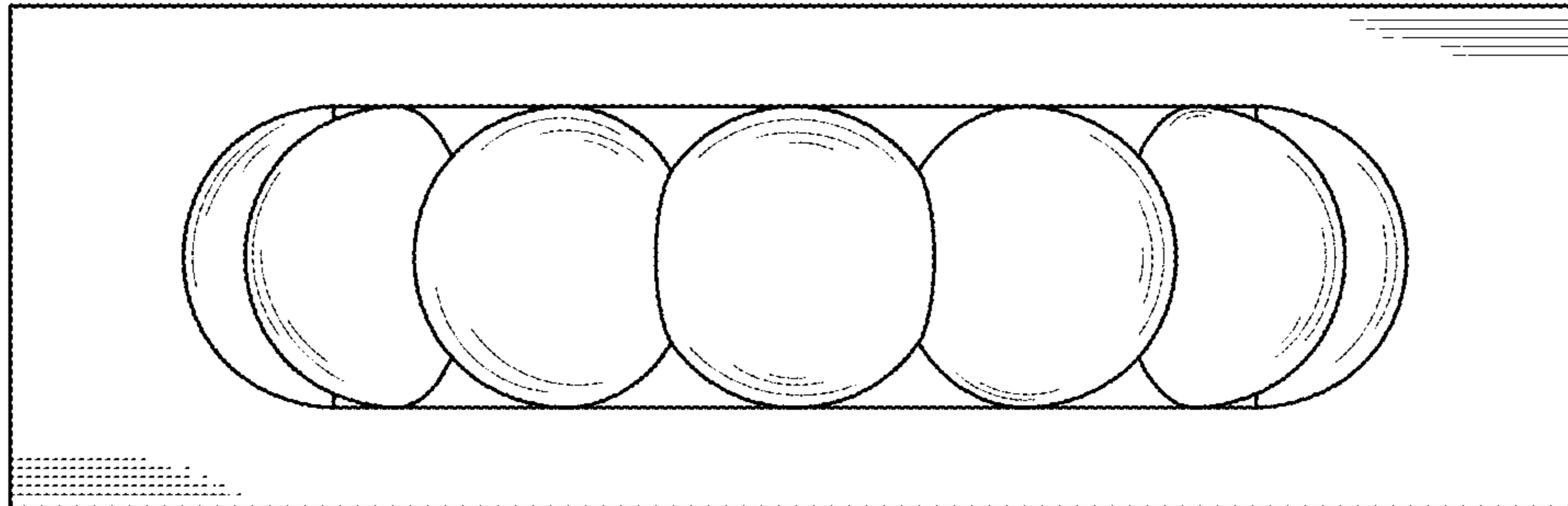


Fig. 6

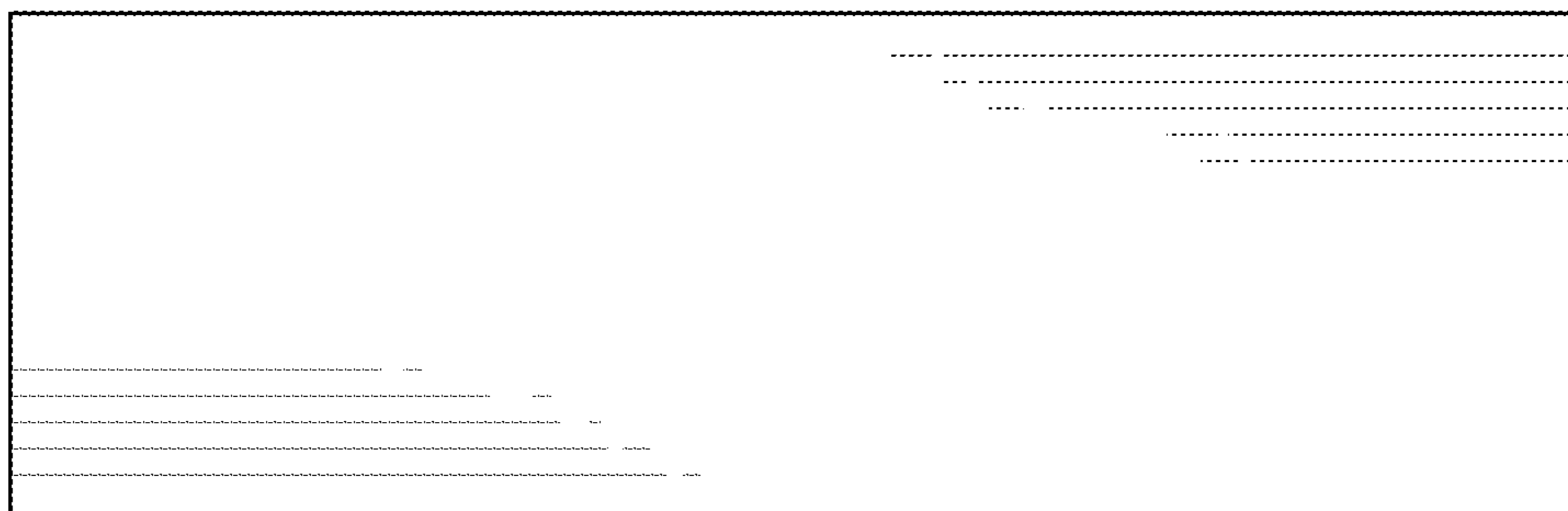


Fig. 7

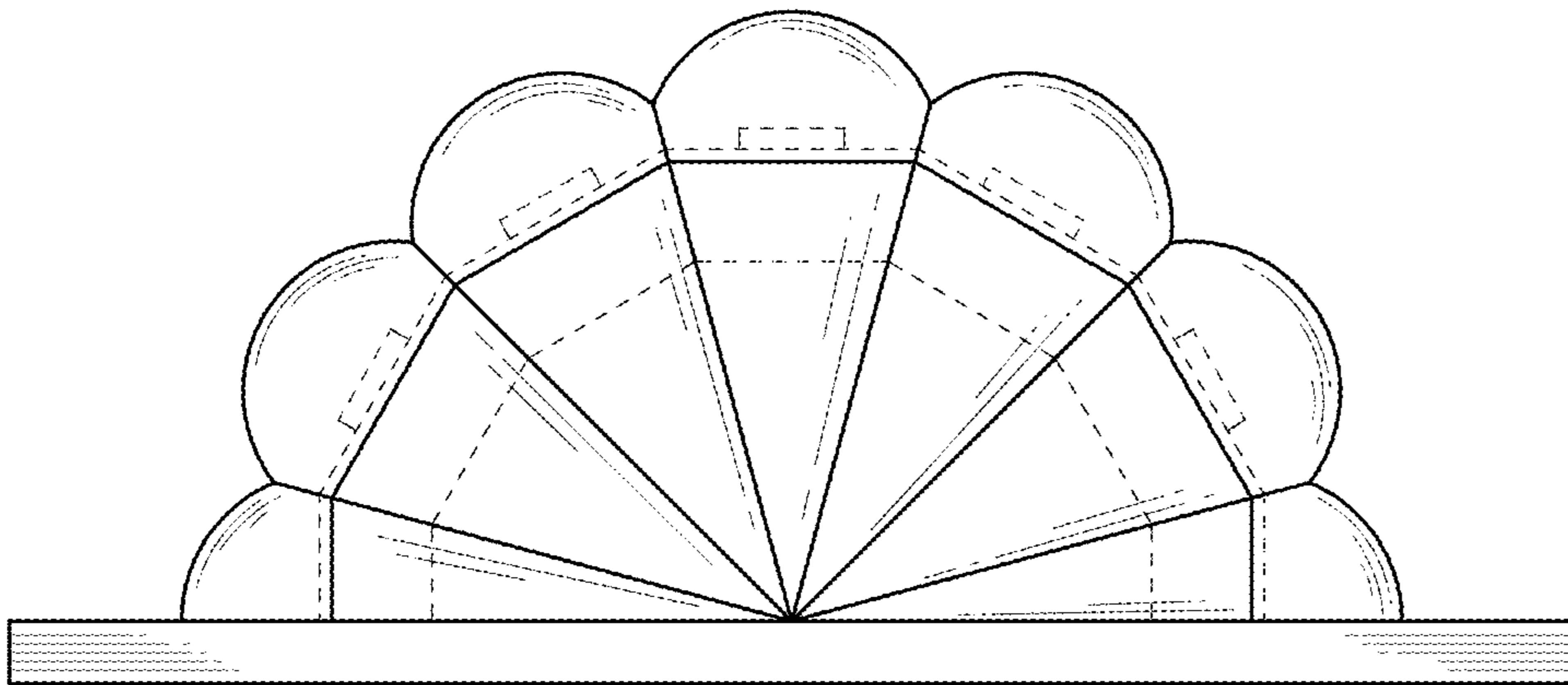


Fig. 8