



US00D787710S

(12) **United States Design Patent**  
**Singh**

(10) **Patent No.:** **US D787,710 S**

(45) **Date of Patent:** **\*\* May 23, 2017**

(54) **TRIM REVEAL EXTRUSION**

D742,545 S \* 11/2015 Singh ..... D25/119  
D750,807 S \* 3/2016 Singh ..... D25/121  
9,366,040 B2 \* 6/2016 Singh ..... E04F 19/065

(71) Applicant: **Joshua George Singh**, Calgary (CA)

(72) Inventor: **Joshua George Singh**, Calgary (CA)

(\*\*) Term: **15 Years**

(21) Appl. No.: **29/535,752**

(22) Filed: **Aug. 10, 2015**

(51) **LOC (10) Cl.** ..... **25-01**

(52) **U.S. Cl.**

USPC ..... **D25/121**

(58) **Field of Classification Search**

USPC ..... D25/119-125; 52/396.04, 396.08,  
52/396.52, 273, 277, 278, 279, 282.3,  
52/283, 255, 799.11, 800.1, 800.11, 62,  
52/169.5, 281, 282.1, 287.1, 288.1, 716.2,  
52/716.8, 717.01, 371, 254, 461, 465,  
52/471, 472; 160/395, 368.1

CPC ..... E04F 19/065; E04F 19/064; E04F 19/062;  
E04F 19/022; E04F 19/061

See application file for complete search history.

(56) **References Cited**

**U.S. PATENT DOCUMENTS**

D221,530 S \* 8/1971 Kimmel ..... D25/121  
D398,708 S \* 9/1998 Opielski ..... D25/119  
D711,552 S \* 8/2014 Singh ..... D25/119  
D742,544 S \* 11/2015 Singh ..... D25/119

**OTHER PUBLICATIONS**

XtremeTrim. "Vertical Reveals.", www.xtremetrim.com. Extruded Aluminum Trim. Web. Sep. 26, 2016. shown in p. 33, Items XOCW516 and XOCW34.\*

Allura. "Allura\_Architectural-panels-EasyTrim\_Brochure",www.allurausa.com. Web. Sep. 26, 2016, shown in p. 1, Items EZ1 and EZ1 Lap.\*

EasyTrim. "Panel Trim Series.", www.easytrimreveals.com.. Web. Sep. 26, 2016. shown in p. 9, Item EZ1.\*

\* cited by examiner

*Primary Examiner* — Cynthia Ramirez

*Assistant Examiner* — Gino Colan

(74) *Attorney, Agent, or Firm* — Tai W. Nahm; Miller Thomson LLP

(57) **CLAIM**

The ornamental design for a trim reveal extrusion, as shown.

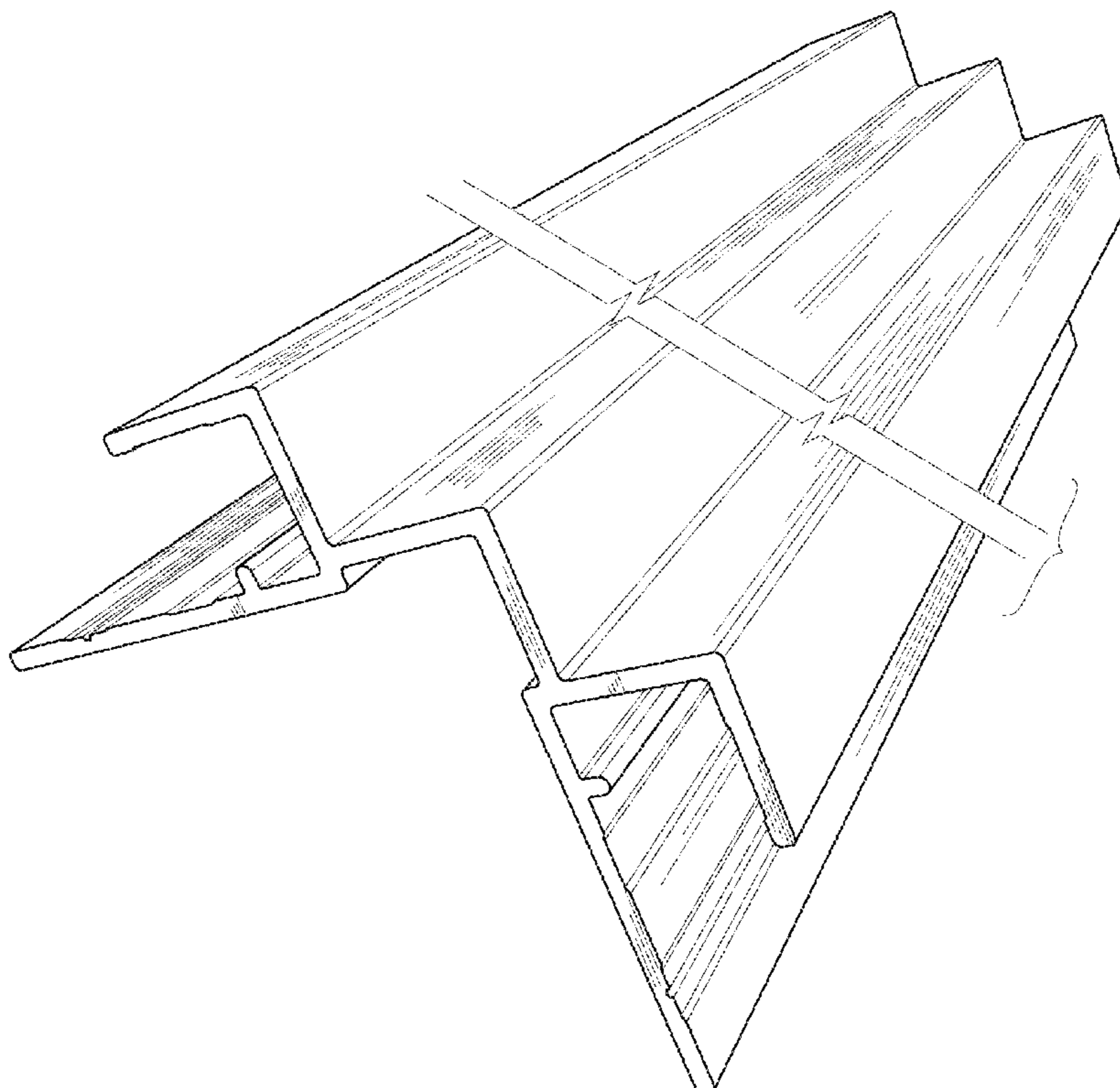
**DESCRIPTION**

FIG. 1 illustrates a perspective view of a trim reveal extrusion showing my new design; and,

FIG. 2 is an end elevational view thereof.

The trim reveal extrusion is shown with a symbolic break at its length. The appearance of any portion of the article between the break lines forms no part of the claimed design.

**1 Claim, 1 Drawing Sheet**



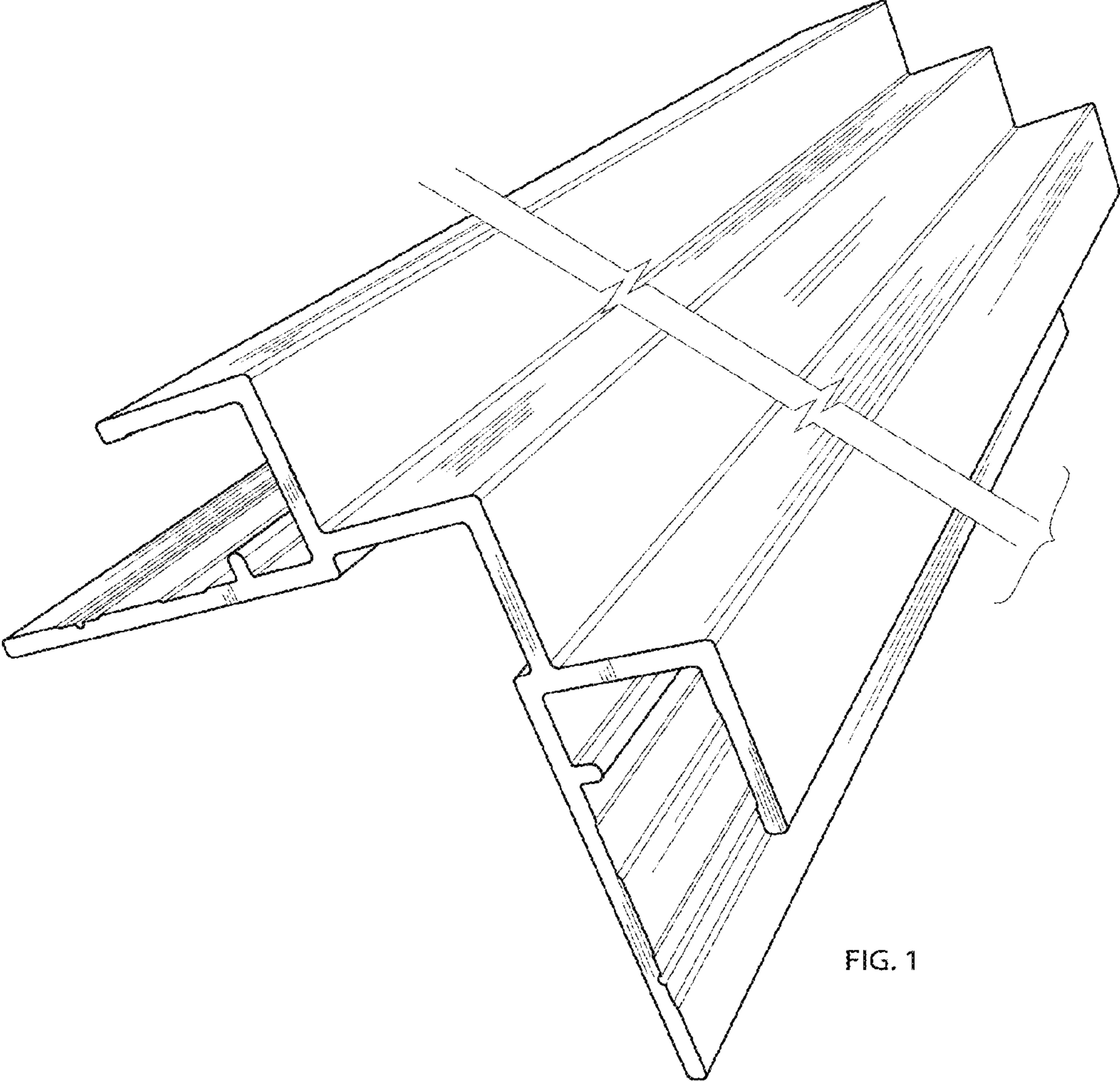


FIG. 1

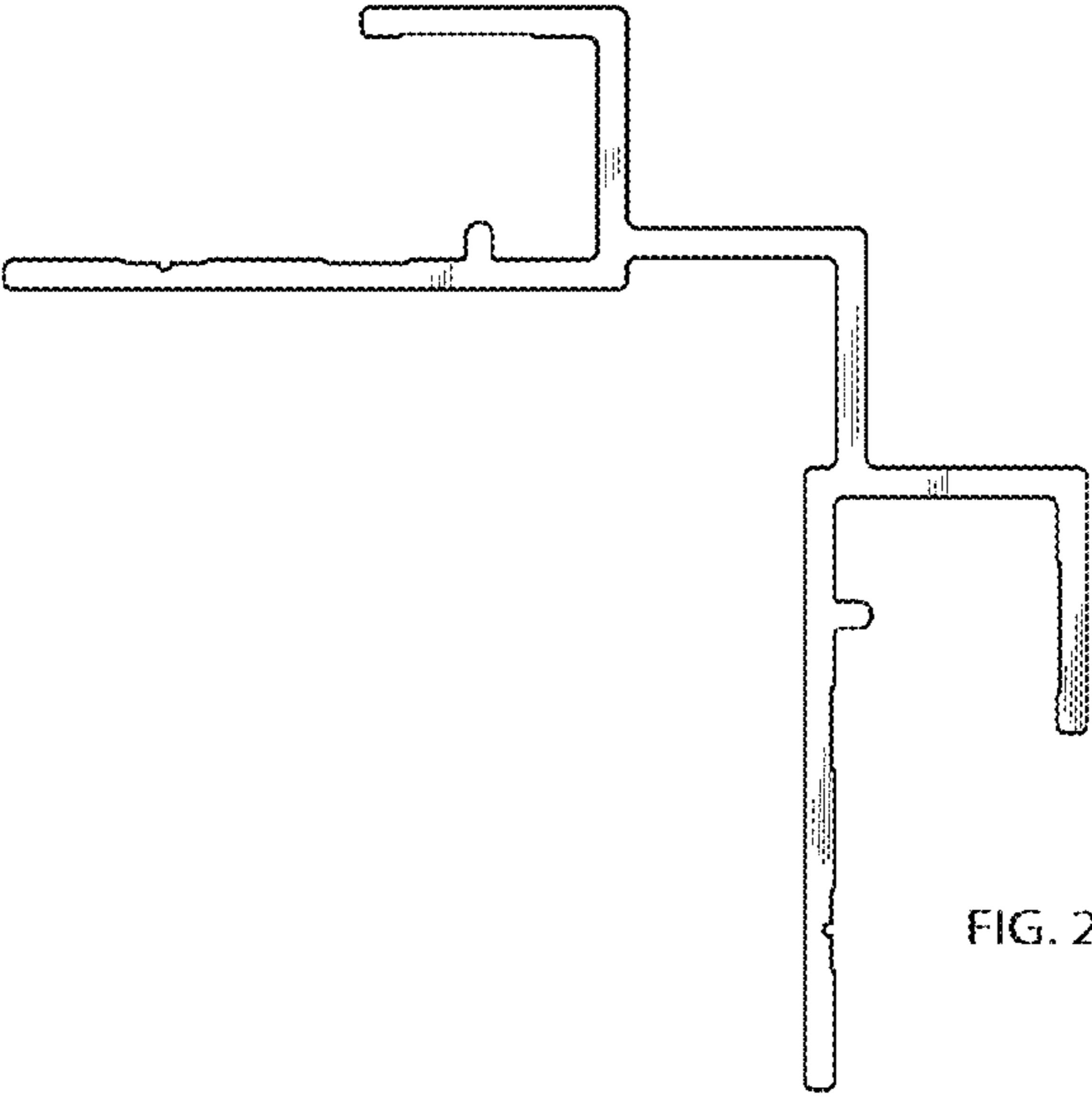


FIG. 2