



US00D787707S

(12) **United States Design Patent** (10) **Patent No.:** **US D787,707 S**
Bizzarri et al. (45) **Date of Patent:** **** May 23, 2017**

(54) **RAIL**

CPC . E04B 1/38; E04B 2/30; E04F 11/181; E04H 17/20; E04H 17/1421; E04H 2017/006; E04H 2017/1473; E04H 2017/1482
See application file for complete search history.

(71) Applicant: **CPG International LLC**, Scranton, PA (US)

(72) Inventors: **Paul M. Bizzarri**, Mason, OH (US); **Chip Herr**, Columbus, OH (US); **John M. Previte**, Dublin, OH (US); **Kevin T. Burt**, Columbus, OH (US); **William G. Taylor**, Columbus, OH (US); **Matthew T. Fenneman**, Gahanna, OH (US); **Jeffrey R. Burr**, Loveland, OH (US); **Timothy C. Rothwell**, Dublin, OH (US)

(56) **References Cited**

U.S. PATENT DOCUMENTS

1,049,502 A 1/1913 Long et al.
1,087,576 A 2/1914 Fernald
2,072,687 A 3/1937 Robinson
2,153,316 A 4/1939 Sherrard et al.
(Continued)

(73) Assignee: **CPG International LLC**, Scranton, PA (US)

FOREIGN PATENT DOCUMENTS

CA 1213767 A 11/1986
CA D80640 5/1997
(Continued)

(**) Term: **14 Years**

(21) Appl. No.: **29/520,846**

OTHER PUBLICATIONS

(22) Filed: **Mar. 18, 2015**

Advanced Environmental Recycling Technologies, Inc., Composite Railing Installation, www.moistureshield.com, Jul. 2015.

(Continued)

Related U.S. Application Data

(63) Continuation of application No. 13/461,496, filed on May 1, 2012, which is a continuation of application No. 12/831,064, filed on Jul. 6, 2010, now Pat. No. 8,167,275, which is a continuation of application No. 11/292,269, filed on Nov. 30, 2005, now abandoned.

Primary Examiner — Cynthia Ramirez

Assistant Examiner — Llorellys Martinez-Rivera

(74) *Attorney, Agent, or Firm* — Standley Law Group LLP

(51) **LOC (10) Cl.** **25-02**

(57) **CLAIM**

The ornamental design for a rail, as shown and described.

(52) **U.S. Cl.**

USPC **D25/38.1; D25/121**

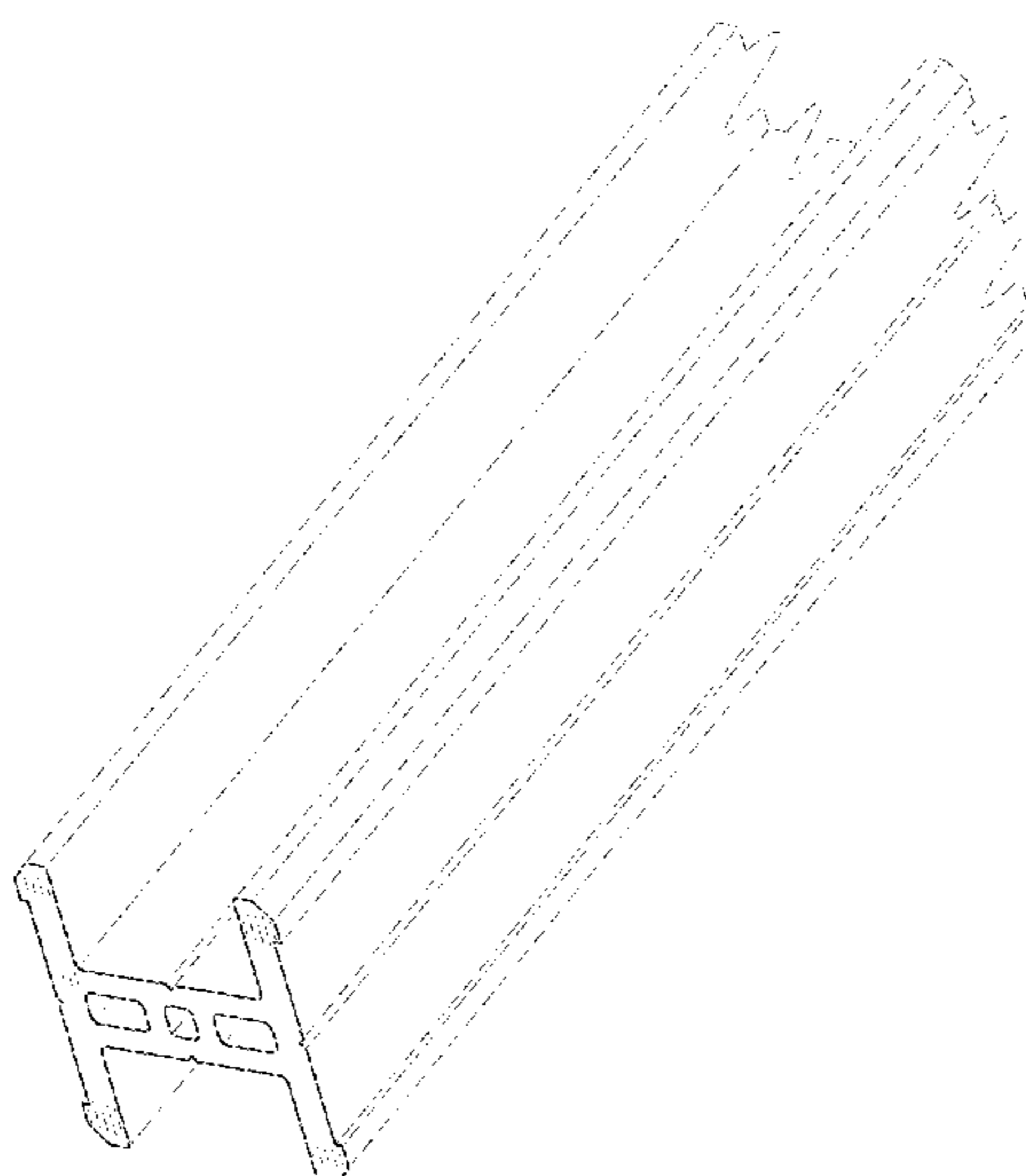
DESCRIPTION

(58) **Field of Classification Search**

USPC D25/38.1, 39, 40, 41.1, 42, 43, 44, 114, D25/119-124, 133-136, 164; 52/204.1, 52/204.2, 204.5, 204.53, 204.55, 214, 52/204.56, 208, 209, 254-257, 264, 265, 52/267, 293.1, 293.3; D20/42, 43, 44; D34/35; 256/19, 59, 65.02, 65.03, 65.04, 256/65.08, 65.15, 65.16

FIG. 1 is an elevation view of a rail showing our new design; and, FIG. 2 is a perspective view of the rail of FIG. 1. The broken lines in FIG. 2 indicate environment that forms no part of the claimed design.

1 Claim, 2 Drawing Sheets



(56)

References Cited

U.S. PATENT DOCUMENTS

2,156,160 A	4/1939	Olson et al.	4,048,101 A	9/1977	Nakamachi et al.
2,188,396 A	1/1940	Semon	4,056,591 A	11/1977	Goettler et al.
2,306,274 A	12/1942	Meiler	4,058,580 A	11/1977	Flanders
2,316,283 A	4/1943	Piperoux et al.	4,071,479 A	1/1978	Broyde et al.
2,451,558 A	10/1948	Schlosser	4,071,494 A	1/1978	Gaylord
2,489,373 A	11/1949	Gilman	4,073,477 A	2/1978	Walters
2,519,442 A	8/1950	Delorme et al.	4,081,582 A	3/1978	Butterworth et al.
2,535,373 A	12/1950	Shearer et al.	4,091,153 A	5/1978	Holman
2,558,378 A	6/1951	Petry	4,097,648 A	6/1978	Pringle
D169,234 S	3/1953	Woodworth	4,100,325 A	7/1978	Summers et al.
2,634,534 A	4/1953	Brown	4,101,050 A	7/1978	Buckler et al.
2,635,976 A	4/1953	Meiler et al.	4,102,106 A	7/1978	Golder et al.
2,680,102 A	6/1954	Becher	4,107,110 A	8/1978	Lachowicz et al.
2,759,837 A	8/1956	Roberts	4,115,497 A	9/1978	Halmo et al.
2,789,903 A	4/1957	Lukman et al.	4,129,132 A	12/1978	Butterworth et al.
2,808,233 A	10/1957	Spescha	4,133,930 A	1/1979	Wright et al.
2,932,488 A	4/1960	Dotson	D251,451 S	3/1979	Toder
2,935,763 A	5/1960	Newman et al.	4,145,389 A	3/1979	Smith
D189,447 S	12/1960	Attwood	4,157,415 A	6/1979	Lindenberg
2,976,164 A	3/1961	Glab	4,168,251 A	9/1979	Schinzel et al.
3,031,217 A	4/1962	Tinnerman	4,178,411 A	12/1979	Cole et al.
3,136,530 A	6/1964	Case	4,181,764 A	1/1980	Totten
D199,024 S	9/1964	Huret	4,187,352 A	2/1980	Klobbie
D200,702 S	3/1965	Huret	4,191,798 A	3/1980	Schumacher et al.
3,287,480 A	11/1966	Wechsler et al.	4,192,839 A	3/1980	Hayashi et al.
3,308,218 A	3/1967	Wiegand et al.	4,198,363 A	4/1980	Noel
3,309,444 A	3/1967	Schueler	4,203,876 A	5/1980	Dereppe et al.
3,313,527 A	4/1967	Eriksson	4,228,116 A	10/1980	Colombo et al.
D210,519 S	3/1968	Kusel	4,239,679 A	12/1980	Rolls et al.
3,420,505 A	1/1969	Jefferys	4,241,125 A	12/1980	Canning et al.
3,463,456 A	8/1969	Walker	4,241,133 A	12/1980	Lund et al.
3,471,128 A	10/1969	Jeffreys	4,244,903 A	1/1981	Schnause
3,492,388 A	1/1970	Inglin-Knuse	4,248,743 A	2/1981	Goettler
3,493,527 A	2/1970	Schueler	4,248,820 A	2/1981	Haataja
3,498,589 A	3/1970	Murdock	4,250,222 A	2/1981	Mavel et al.
3,533,906 A	10/1970	Reiniger	4,260,277 A	4/1981	Daniels
3,562,373 A	2/1971	Logrippo	4,263,184 A	4/1981	Leo et al.
3,596,880 A	8/1971	Greenberg	4,263,196 A	4/1981	Schumacher et al.
3,645,939 A	2/1972	Gaylord	4,272,577 A	6/1981	Lyng
3,671,615 A	6/1972	Price	4,273,688 A	6/1981	Porzel et al.
3,707,276 A	12/1972	Francis et al.	4,277,428 A	7/1981	Luck et al.
3,715,849 A	2/1973	Strassle	4,290,988 A	9/1981	Nopper et al.
3,756,567 A	9/1973	Murdock	4,297,408 A	10/1981	Stead et al.
3,769,380 A	10/1973	Wiley	4,303,019 A	12/1981	Haataja et al.
3,804,374 A	4/1974	Thom	4,305,901 A	12/1981	Prince et al.
3,852,387 A	12/1974	Bortnick et al.	4,317,765 A	3/1982	Gaylord
3,858,850 A	1/1975	Maxcy et al.	4,323,625 A	4/1982	Coran et al.
3,864,201 A	2/1975	Susuki et al.	4,351,873 A	9/1982	Davis
3,867,493 A	2/1975	Seki	4,352,485 A	10/1982	Basey
3,878,143 A	4/1975	Baumann et al.	4,376,144 A	3/1983	Goettler
3,879,017 A	4/1975	Maxcy et al.	4,382,108 A	5/1983	Carroll et al.
3,879,505 A	4/1975	Boutillier et al.	4,382,758 A	5/1983	Nopper et al.
3,888,810 A	6/1975	Shinomura	4,393,020 A	7/1983	Li et al.
3,899,559 A	8/1975	Johnanson et al.	4,414,267 A	11/1983	Coran et al.
3,908,902 A	9/1975	Collins et al.	4,420,351 A	12/1983	Lussi et al.
3,918,686 A	11/1975	Knott et al.	4,421,302 A	12/1983	Grimm et al.
3,922,328 A	11/1975	Johnson	4,430,468 A	2/1984	Schumacher
3,931,384 A	1/1976	Forquer et al.	4,440,708 A	4/1984	Haataja et al.
3,943,079 A	3/1976	Hamed	4,451,025 A	5/1984	Spera
3,944,178 A	3/1976	Greenwood	4,480,061 A	10/1984	Coughlin et al.
3,954,555 A	5/1976	Kole et al.	4,480,573 A	11/1984	Barbour
3,955,800 A	5/1976	Russo	4,481,701 A	11/1984	Hewitt
3,956,541 A	5/1976	Pringle	4,491,553 A	1/1985	Yamada et al.
3,956,555 A	5/1976	McKean	4,503,115 A	3/1985	Hemels et al.
3,969,459 A	7/1976	Fremont et al.	4,505,869 A	3/1985	Nishibori
4,005,035 A	1/1977	Deaver	4,506,037 A	3/1985	Suzuki et al.
4,005,162 A	1/1977	Bucking	4,508,595 A	4/1985	Gasland
4,012,348 A	3/1977	Chelland et al.	4,518,552 A	5/1985	Matsuo et al.
4,014,520 A	3/1977	Walters	4,523,735 A	6/1985	Beck et al.
4,016,232 A	4/1977	Pringle	4,562,218 A	12/1985	Fornadel et al.
4,016,233 A	4/1977	Pringle	4,594,372 A	6/1986	Natov et al.
4,018,722 A	4/1977	Baker	4,597,928 A	7/1986	Terentiev et al.
4,027,855 A	6/1977	Lauzier	4,610,900 A	9/1986	Nishibori
4,029,831 A	6/1977	Daunheimer	4,645,631 A	2/1987	Hegenstaller et al.
4,045,603 A	8/1977	Smith	4,659,754 A	4/1987	Edwards et al.
			4,663,225 A	5/1987	Farley et al.
			4,686,251 A	8/1987	Ostermann et al.
			4,687,793 A	8/1987	Motegi et al.
			4,708,623 A	11/1987	Aoki et al.

(56)

References Cited

U.S. PATENT DOCUMENTS

D293,718 S	1/1988	Poma	5,302,634 A	4/1994	Mushovic
4,717,742 A	1/1988	Beshay	5,350,156 A	9/1994	Cote et al.
4,722,514 A	2/1988	Pettit	5,356,697 A	10/1994	Jonas
4,734,236 A	3/1988	Davis	5,369,147 A	11/1994	Mushovic
4,737,532 A	4/1988	Fujita et al.	5,387,381 A	2/1995	Saloom
4,744,930 A	5/1988	Twist et al.	5,393,536 A	2/1995	Brandt et al.
4,746,688 A	5/1988	Bistak et al.	5,404,683 A	4/1995	Hammonds et al.
4,769,109 A	9/1988	Tellvik et al.	5,406,768 A	4/1995	Giuseppe et al.
4,769,274 A	9/1988	Tellvik et al.	5,413,745 A	5/1995	Andersson
4,783,493 A	11/1988	Motegi et al.	D358,982 S	6/1995	Bosgoed
4,789,604 A	12/1988	van der Hoeven	5,422,170 A	6/1995	Iwata et al.
4,790,966 A	12/1988	Sandberg et al.	5,423,933 A	6/1995	Horian
4,791,020 A	12/1988	Kokta	5,435,954 A	7/1995	Wold
4,800,214 A	1/1989	Waki et al.	5,441,801 A	8/1995	Deaner et al.
4,801,495 A	1/1989	van der Hoeven	5,443,244 A	8/1995	Gibbs
4,818,590 A	4/1989	Prince et al.	5,443,887 A	8/1995	Nakao
4,818,604 A	4/1989	Tock	5,458,834 A	10/1995	Faber et al.
4,820,749 A	4/1989	Beshay	5,474,722 A	12/1995	Woodhams
4,833,194 A	5/1989	Kuan et al.	5,480,602 A	1/1996	Nagaich
4,844,766 A	7/1989	Held	5,486,553 A	1/1996	Deaner et al.
4,851,458 A	7/1989	Hopperdietzel	5,497,594 A	3/1996	Giuseppe et al.
4,865,788 A	9/1989	Davis	5,505,900 A	4/1996	Suwanda et al.
4,889,673 A	12/1989	Takimoto	5,516,472 A	5/1996	Laver
4,894,192 A	1/1990	Warych	5,518,677 A	5/1996	Deaner et al.
4,915,764 A	4/1990	Miani	5,532,065 A	7/1996	Gubitz et al.
4,927,572 A	5/1990	van der Hoeven	5,537,789 A	7/1996	Minke et al.
4,927,579 A	5/1990	Moore	5,538,777 A	7/1996	Pauley et al.
4,935,182 A	6/1990	Ehner et al.	5,539,027 A	7/1996	Deaner et al.
4,960,548 A	10/1990	Ikeda et al.	5,544,866 A	8/1996	Dye
4,968,463 A	11/1990	Levasseur	D375,573 S	11/1996	Andres
4,973,440 A	11/1990	Tamura et al.	5,573,227 A	11/1996	Hemauer et al.
4,978,489 A	12/1990	Radvan et al.	5,574,094 A	11/1996	Malucelli et al.
4,988,478 A	1/1991	Held	5,576,374 A	11/1996	Betso et al.
4,995,591 A	2/1991	Humphrey et al.	5,585,155 A	12/1996	Heikkila et al.
5,002,713 A	3/1991	Palardy et al.	5,593,625 A	1/1997	Riebel et al.
5,008,310 A	4/1991	Beshay	5,601,279 A	2/1997	Schwartz et al.
5,008,975 A	4/1991	Wang et al.	5,624,616 A	4/1997	Brooks
5,009,586 A	4/1991	Pallmann	5,649,688 A	7/1997	Baker
5,029,818 A	7/1991	Katz	5,683,074 A	11/1997	Purvis et al.
5,049,334 A	9/1991	Bach	5,695,874 A	12/1997	Deaner et al.
5,055,247 A	10/1991	Ueda et al.	5,711,349 A	1/1998	Wissmann
5,057,167 A	10/1991	Gersbeck	5,713,171 A	2/1998	Andres
5,064,592 A	11/1991	Ueda et al.	5,725,939 A	3/1998	Nishibori
5,075,057 A	12/1991	Hoedl	5,735,092 A	4/1998	Clayton et al.
5,075,359 A	12/1991	Castagna et al.	5,744,210 A	4/1998	Hofmann et al.
5,078,937 A	1/1992	Eela	5,759,680 A	6/1998	Brooks et al.
5,082,605 A	1/1992	Brooks et al.	5,771,646 A	6/1998	DeSouza
5,087,400 A	2/1992	Theuveny	5,773,138 A	6/1998	Seethamraju et al.
5,088,910 A	2/1992	Goforth et al.	5,776,841 A	7/1998	Bondoc et al.
5,091,436 A	2/1992	Frisch et al.	5,783,125 A	7/1998	Bastone et al.
5,096,046 A	3/1992	Goforth et al.	5,788,224 A	8/1998	Platt
5,096,406 A	3/1992	Brooks et al.	5,795,641 A	8/1998	Pauley et al.
5,110,663 A	5/1992	Nishiyama et al.	5,807,514 A	9/1998	Grinshpun et al.
5,110,843 A	5/1992	Bries et al.	5,827,462 A	10/1998	Brandt et al.
5,120,776 A	6/1992	Raj et al.	5,827,607 A	10/1998	Deaner et al.
5,145,891 A	9/1992	Yasukawa et al.	5,833,358 A	11/1998	Patik
5,151,238 A	9/1992	Earl et al.	5,836,128 A	11/1998	Groh et al.
5,153,241 A	10/1992	Beshay	5,842,685 A	12/1998	Purvis et al.
5,160,211 A	11/1992	Gilb	5,847,016 A	12/1998	Cope
5,160,784 A	11/1992	Shmidt et al.	5,851,469 A	12/1998	Muller et al.
5,165,941 A	11/1992	Hawley	5,853,167 A	12/1998	West et al.
5,190,268 A	3/1993	Espinueva	5,858,522 A	1/1999	Turk et al.
5,192,056 A	3/1993	Espinueva	5,863,064 A	1/1999	Rheinlander et al.
5,194,461 A	3/1993	Bergquist et al.	5,863,480 A	1/1999	Suwanda
D335,353 S	5/1993	Baker	5,866,054 A	2/1999	Dorchester et al.
D336,345 S	6/1993	Fasth et al.	5,866,264 A	2/1999	Zehner et al.
5,218,807 A	6/1993	Fulford	5,869,138 A	2/1999	Nishibori
5,219,634 A	6/1993	Aufderhaar	5,869,176 A	2/1999	Dorchester et al.
5,230,186 A	7/1993	Hammonds et al.	5,873,671 A	2/1999	West
5,234,652 A	8/1993	Woodhams et al.	5,882,564 A	3/1999	Puppin
5,258,232 A	11/1993	Summers et al.	5,910,358 A	6/1999	Thoen et al.
5,272,000 A	12/1993	Chenoweth et al.	5,932,334 A	8/1999	Deaner et al.
5,276,082 A	1/1994	Forry et al.	5,948,505 A	9/1999	Puppin
5,284,710 A	2/1994	Hartley et al.	5,948,524 A	9/1999	Seethamraju et al.
5,288,772 A	2/1994	Hon	5,951,927 A	9/1999	Cope
			5,965,075 A	10/1999	Pauley et al.
			5,981,067 A	11/1999	Seethamraju et al.
			5,985,429 A	11/1999	Plummer et al.
			5,988,599 A	11/1999	Forbis

(56)

References Cited

U.S. PATENT DOCUMENTS

6,004,652 A	12/1999	Clark	6,568,658 B2	5/2003	Strome
6,004,668 A	12/1999	Deaner et al.	6,569,540 B1	5/2003	Preston et al.
6,007,656 A	12/1999	Heikkila et al.	6,575,433 B2	6/2003	Retterer
6,009,682 A	1/2000	Lehman et al.	6,578,368 B1	6/2003	Brandt et al.
6,011,091 A	1/2000	Zehner	6,579,605 B2	6/2003	Zehner
6,015,611 A	1/2000	Deaner et al.	6,590,004 B1	7/2003	Zehner
6,015,612 A	1/2000	Deaner et al.	6,601,831 B2	8/2003	Erwin
6,017,019 A	1/2000	Erwin	6,605,245 B1	8/2003	Dubelsten et al.
D419,858 S	2/2000	Bosgoed	6,616,995 B2	9/2003	Retterer
6,029,954 A	2/2000	Murdaca	6,617,376 B2	9/2003	Korney, Jr.
6,035,588 A	3/2000	Zehner et al.	6,619,628 B1	9/2003	Steffes
6,041,486 A	3/2000	Forbis	6,622,991 B2	9/2003	Steffes
6,044,604 A	4/2000	Clayton et al.	6,632,863 B2	10/2003	Hutchison et al.
6,054,207 A	4/2000	Finley	6,637,213 B2	10/2003	Hutchison et al.
6,061,991 A	5/2000	Dahl	6,641,384 B2	11/2003	Bosler et al.
6,066,367 A	5/2000	Nishibori	6,662,515 B2	12/2003	Buhrts et al.
6,066,680 A	5/2000	Cope	6,676,094 B1	1/2004	Brown
6,083,601 A	7/2000	Prince et al.	6,680,090 B2	1/2004	Godavarti et al.
6,103,791 A	8/2000	Zehner	6,682,056 B1	1/2004	West
6,106,944 A	8/2000	Heikkila et al.	6,682,789 B2	1/2004	Godavarti et al.
6,114,008 A	9/2000	Eby et al.	6,682,814 B2	1/2004	Hendrickson et al.
6,117,924 A	9/2000	Brandt	D487,158 S	2/2004	Forbis
6,122,877 A	9/2000	Hendrickson et al.	6,685,858 B2	2/2004	Korney, Jr.
6,131,355 A	10/2000	Groh et al.	6,698,726 B2	3/2004	Platt
6,133,348 A	10/2000	Kolla et al.	6,702,245 B1	3/2004	Otterman
6,153,293 A	11/2000	Dahl et al.	6,702,259 B2	3/2004	Pratt
6,161,353 A	12/2000	Negola et al.	6,708,504 B2	3/2004	Brandt et al.
6,168,125 B1	1/2001	Winger et al.	6,715,242 B1	4/2004	Green et al.
6,180,211 B1	1/2001	Held	6,715,725 B2	4/2004	Chipka
6,180,257 B1	1/2001	Brandt et al.	6,716,522 B2	4/2004	Matsumoto et al.
6,202,987 B1	3/2001	Forbis	6,719,278 B2	4/2004	Bryan
6,207,729 B1	3/2001	Medoff et al.	D490,543 S	5/2004	Forbis
6,210,616 B1	4/2001	Suwanda	6,752,941 B2	6/2004	Hills
6,210,792 B1	4/2001	Seethamraju et al.	6,755,394 B2	6/2004	Forbis et al.
6,248,813 B1	6/2001	Zehner	6,773,255 B2	8/2004	Benz et al.
6,265,037 B1	7/2001	Godavarti et al.	6,780,359 B1	8/2004	Zehner et al.
6,272,808 B1	8/2001	Groh et al.	6,784,216 B1	8/2004	Zehner et al.
6,280,667 B1	8/2001	Koenig et al.	6,784,230 B1	8/2004	Patterson et al.
6,284,098 B1	9/2001	Jacobsen	6,793,474 B2	9/2004	Groebbacher et al.
6,295,777 B1	10/2001	Hunter et al.	6,805,335 B2	10/2004	Williams
6,295,778 B1	10/2001	Burt	6,844,049 B2	1/2005	Amin-Javaheri
6,305,670 B1	10/2001	Ward et al.	6,860,472 B2	3/2005	Striebel et al.
6,308,937 B1	10/2001	Pettit	6,863,972 B2	3/2005	Burger et al.
6,336,620 B1	1/2002	Belli	6,874,766 B2	4/2005	Curatolo
6,337,138 B1	1/2002	Zehner et al.	D509,599 S	9/2005	MacDonald
6,341,458 B1	1/2002	Burt	6,939,496 B2	9/2005	Maine et al.
6,342,172 B1	1/2002	Finley	6,948,704 B2	9/2005	Forbis et al.
6,344,268 B1	2/2002	Stucky et al.	6,958,185 B1	10/2005	Zehner
6,344,504 B1	2/2002	Zehner et al.	6,971,211 B1	12/2005	Zehner
6,346,160 B1	2/2002	Puppini	6,984,676 B1	1/2006	Brandt
6,357,197 B1	3/2002	Serino et al.	6,986,505 B2	1/2006	Platt
6,358,585 B1	3/2002	Wolff	D518,184 S	3/2006	Fitts
6,360,508 B1	3/2002	Pelfrey et al.	7,017,352 B2	3/2006	Hutchison et al.
6,362,252 B1	3/2002	Prutkin	7,030,179 B2	4/2006	Patterson et al.
6,367,780 B1	4/2002	Retterer	7,037,865 B1	5/2006	Kimberly
6,409,952 B1	6/2002	Hacker et al.	7,044,451 B2	5/2006	Platt
6,423,257 B1	7/2002	Stobart et al.	D536,098 S	1/2007	Walker
D461,568 S	8/2002	Forbis	7,178,791 B1	2/2007	Gray et al.
D461,914 S	8/2002	Hughes et al.	7,186,457 B1	3/2007	Zehner et al.
6,427,403 B1	8/2002	Tambakis	D544,965 S *	6/2007	Seiling D25/38.1
6,448,307 B1	9/2002	Medoff et al.	D544,966 S	6/2007	Seiling et al.
6,453,630 B1	9/2002	Buhrts et al.	D544,967 S	6/2007	Seiling et al.
6,460,829 B1	10/2002	Forbis et al.	7,232,114 B2 *	6/2007	Platt E04H 17/1413 256/65.04
6,464,913 B1	10/2002	Korney, Jr.	D551,774 S	9/2007	McGinness
6,467,756 B1	10/2002	Elsasser	D551,775 S	9/2007	McGinness
6,471,192 B1	10/2002	Erwin	D552,760 S	10/2007	Seiling et al.
6,498,205 B1	12/2002	Zehner	D560,823 S *	1/2008	Holland D25/38.1
6,511,757 B1	1/2003	Brandt et al.	D562,992 S	2/2008	Szczekocki
D471,284 S	3/2003	Heath	7,378,462 B1	5/2008	Hughes et al.
6,527,469 B1	3/2003	Erwin	7,384,025 B2 *	6/2008	Lo E04H 17/1439 256/65.08
6,531,010 B2	3/2003	Puppini	7,445,840 B2	11/2008	Moriya et al.
6,543,751 B1	4/2003	Spruill	7,543,802 B2 *	6/2009	Petta E04F 11/1812 256/59
6,557,829 B1	5/2003	Steffes	D600,829 S	9/2009	Munakata et al.
6,557,831 B2	5/2003	Erwin	D600,831 S	9/2009	Munakata et al.
6,561,492 B1	5/2003	Hubbell	7,686,485 B1	3/2010	Pever et al.
			7,743,567 B1	6/2010	Buhrts

(56)

References Cited

U.S. PATENT DOCUMENTS

7,744,065 B2 6/2010 Terrels et al.
 D625,989 S 10/2010 Mancosh et al.
 7,875,655 B2 1/2011 Mancosh et al.
 7,913,960 B1 3/2011 Herr, III et al.
 D636,898 S 4/2011 Harder
 7,923,477 B2 4/2011 Murdock et al.
 8,104,734 B2* 1/2012 Stover E04H 17/24
 248/218.4
 8,167,275 B1 5/2012 Bizzarri et al.
 D661,813 S* 6/2012 Walker D25/38.1
 8,278,365 B2 10/2012 Murdock et al.
 8,455,558 B2 6/2013 Mancosh et al.
 D697,232 S 1/2014 Herman
 D698,949 S 2/2014 Rozas Andreu
 8,809,406 B2 8/2014 Murdock et al.
 D720,477 S* 12/2014 Ross D25/38.1
 8,905,570 B2 12/2014 Hartman
 D734,495 S 7/2015 Walde
 9,073,295 B2 7/2015 Przybylinski et al.
 2001/0019749 A1 9/2001 Godavarti et al.
 2001/0051242 A1 12/2001 Godavarti et al.
 2001/0051243 A1 12/2001 Godavarti et al.
 2002/0015820 A1 2/2002 Puppin
 2002/0038684 A1 4/2002 Puppin
 2002/0040557 A1 4/2002 Felton
 2002/0066248 A1 6/2002 Buhrts et al.
 2002/0090471 A1 7/2002 Burger et al.
 2002/0092256 A1 7/2002 Hendrickson et al.
 2002/0104987 A1 8/2002 Purvis
 2002/0106498 A1 8/2002 Deaner et al.
 2002/0113960 A1 8/2002 Retterer
 2002/0121634 A1 9/2002 Erwin
 2002/0121635 A1 9/2002 Erwin
 2002/0143083 A1 10/2002 Korney, Jr.
 2002/0161072 A1 10/2002 Jacoby et al.
 2002/0166327 A1 11/2002 Brandt et al.
 2002/0174663 A1 11/2002 Hutchison et al.
 2002/0192401 A1 12/2002 Matsumoto et al.
 2002/0192431 A1 12/2002 Edgman
 2003/0006405 A1 1/2003 Striebel et al.
 2003/0021915 A1 1/2003 Rohatgi et al.
 2003/0025233 A1 2/2003 Korney, Jr.
 2003/0050378 A1 3/2003 Blanchard et al.
 2003/0085395 A1 5/2003 Gardner
 2003/0087994 A1 5/2003 Frechette
 2003/0087996 A1 5/2003 Hutchison et al.
 2003/0089056 A1 5/2003 Retterer
 2003/0096094 A1 5/2003 Hayduke
 2003/0136954 A1 7/2003 Platt
 2003/0136955 A1 7/2003 Platt
 2003/0154662 A1 8/2003 Bruchu et al.
 2003/0176538 A1 9/2003 Wu et al.
 2003/0196395 A1 10/2003 Forbis et al.
 2003/0222258 A1 12/2003 Forbis et al.
 2003/0229160 A1 12/2003 Williams et al.
 2003/0234391 A1 12/2003 Sheppard et al.
 2004/0003568 A1 1/2004 McCarthy
 2004/0026021 A1 2/2004 Groh et al.
 2004/0026679 A1 2/2004 Terrels et al.
 2004/0026680 A1 2/2004 Williams
 2004/0038002 A1 2/2004 Franco et al.
 2004/0048055 A1 3/2004 Branca
 2004/0051092 A1 3/2004 Curatolo
 2004/0071964 A1 4/2004 Nesbitt
 2004/0099855 A1 5/2004 Platt
 2004/0142157 A1 7/2004 Melkonian
 2004/0147625 A1 7/2004 Dostal et al.
 2004/0148965 A1 8/2004 Hutchison et al.
 2004/0188666 A1 9/2004 Pratt
 2004/0191494 A1 9/2004 Nesbitt
 2004/0192794 A1 9/2004 Patterson et al.
 2004/0206028 A1 10/2004 Terrels et al.
 2004/0219357 A1 11/2004 Van Dijk et al.
 2004/0220299 A1 11/2004 Drabeck, Jr. et al.
 2005/0009960 A1 1/2005 Ton-That et al.

2005/0013984 A1 1/2005 Dijk et al.
 2005/0051761 A1 3/2005 Caissie et al.
 2005/0067729 A1 3/2005 Laver et al.
 2005/0127346 A1 6/2005 Steffes
 2005/0133777 A1 6/2005 Forbis et al.
 2005/0154094 A1 7/2005 Maeda et al.
 2005/0163969 A1 7/2005 Brown
 2005/0171246 A1 8/2005 Maine et al.
 2005/0192382 A1 9/2005 Maine et al.
 2005/0218279 A1 10/2005 Cicenas et al.
 2005/0258413 A1 11/2005 Platt
 2005/0266222 A1 12/2005 Clark et al.
 2005/0271872 A1 12/2005 Dolinar
 2005/0271889 A1 12/2005 Dolinar
 2005/0274940 A1 12/2005 Brown
 2006/0010883 A1 1/2006 Hutchison et al.
 2006/0010884 A1 1/2006 Hutchison et al.
 2006/0012066 A1 1/2006 Hutchison et al.
 2006/0012071 A1 1/2006 Groh et al.
 2006/0022187 A1 2/2006 Forbis et al.
 2006/0022372 A1 2/2006 Matuana et al.
 2006/0057348 A1 3/2006 Maine et al.
 2006/0068053 A1 3/2006 Brandt et al.
 2006/0068215 A2 3/2006 Dolinar
 2006/0076545 A1 4/2006 Reynders et al.
 2006/0113441 A2 6/2006 Cicenas et al.
 2006/0147693 A1 7/2006 Przybylinski et al.
 2006/0269738 A1 11/2006 Kimberly
 2007/0173551 A1 7/2007 Mancosh et al.
 2007/0235705 A1 10/2007 Burger et al.
 2007/0241315 A1 10/2007 Platt
 2007/0241316 A1* 10/2007 Platt E04H 17/1421
 256/65.02
 2007/0296112 A1 12/2007 Brandt et al.
 2008/0064794 A1 3/2008 Murdock et al.
 2008/0093763 A1 4/2008 Mancosh et al.
 2008/0128933 A1 6/2008 Przybylinski et al.
 2008/0197523 A1 8/2008 Heigel et al.
 2008/0213562 A1 9/2008 Przybylinski et al.
 2008/0265232 A1* 10/2008 Terrels E04F 11/181
 256/65.04
 2009/0114895 A1* 5/2009 Terrels E04F 11/1836
 256/65.03
 2009/0264560 A1 10/2009 Warnes et al.
 2010/0108969 A1 5/2010 Platt
 2010/0159213 A1 6/2010 Przybylinski et al.
 2011/0042637 A1* 2/2011 Howard E04H 17/1439
 256/22
 2011/0073824 A1* 3/2011 Lappin E04F 11/1817
 256/65.08
 2011/0097552 A1 4/2011 Mancosh et al.
 2011/0229691 A1 9/2011 Murdock et al.
 2012/0077890 A1 3/2012 Mancosh et al.
 2012/0217460 A1 8/2012 Bugh
 2012/0236547 A1 9/2012 Hartman
 2012/0315471 A1 12/2012 Mancosh et al.
 2013/0102707 A1 4/2013 Murdock et al.
 2015/0024171 A1 1/2015 Murdock et al.
 2015/0044434 A1 2/2015 Kotiadis et al.
 2015/0252588 A1* 9/2015 Springborn B23P 19/02
 256/65.05
 2015/0292212 A1* 10/2015 Walker E04F 11/1808
 256/62
 2015/0300041 A1* 10/2015 Feeko E04H 17/1421
 256/65.12

FOREIGN PATENT DOCUMENTS

CA 2153659 A1 2/1999
 CH 580130 A5 9/1976
 CL 34395 3/1994
 CL 303799 12/1999
 DE 2042176 8/1968
 DE 3801574 A1 8/1989
 DE 4033849 A1 5/1991
 DE 4221070 A1 12/1993
 DK 140148 B 6/1979
 EP 0269470 A2 6/1988

(56)

References Cited

FOREIGN PATENT DOCUMENTS

EP	0586211	A1	3/1994
EP	0586212	A2	3/1994
EP	0586213	A1	3/1994
EP	0668142	A1	8/1995
EP	0747419	A2	12/1996
EP	0874944	A1	11/1998
ES	1041676		11/1998
FR	2270311	A1	12/1975
FR	2365017	A1	4/1978
FR	2445885	A1	8/1980
FR	2529925	A1	1/1984
FR	2564374	A1	11/1985
GB	567071		1/1945
GB	1298823		12/1972
GB	1443194		7/1976
GB	2036148	A	6/1980
GB	2104903	A	3/1983
GB	2171953	A	9/1986
GB	2186655	A	8/1987
JP	57-190035	A	11/1982
JP	2000-17245	A	1/2000
JP	2000-109589	A	4/2000
JP	2002-86544	A	3/2002
JP	2002-113768	A	4/2002
JP	2002-137333	A	5/2002
JP	2002-144489	A	5/2002
KR	20040044680	A	5/2004
KR	300428590.0000		10/2006
WO	9008020	A1	7/1990
WO	9513179	A1	5/1995
WO	9726430	A1	7/1997
WO	9911444	A1	3/1999
WO	0011282	A2	3/2000
WO	0034017	A1	6/2000
WO	0039207	A1	7/2000
WO	02057692	A2	7/2000
WO	0166873	A1	9/2001
WO	02079317	A1	10/2002
WO	02103113	A2	12/2002
WO	D064769-006		10/2003
WO	03091642	A1	11/2003
WO	2004083541	A2	9/2004
WO	2004083541	A3	9/2004
WO	2004102092	A1	11/2004
WO	2006041508	A2	4/2006
WO	2006071517	A2	7/2006
WO	2007085836	A1	8/2007

OTHER PUBLICATIONS

Advanced Environmental Recycling Technologies, Inc., Magnum Railing, www.lifecycledecking.com/products/profiles, Oct. 17, 2010, visited Jan. 29, 2016 via <https://web.archive.org/web/20101017132410/http://lifecycledecking.com/products/profiles>.

CertainTeed Corporation, www.certainteed.com/products/fence-railing-deck/railing/313628 Mar. 7, 2009, visited Jan. 29, 2016 via <https://web.archive.org/web/20090307163124/http://www.certainteed.com/products/fence-railing-deck/railing/313628>.

CertainTeed Corporation, Step-By-Step Installation Instructions for Panorama Composite Railing System Square or Steel Balusters, Aug. 2014.

CertainTeed Corporation, Panorama, Registration No. 3,326,317, registered Oct. 30, 2007.

CertainTeed Corporation, Panorama Composite Railing System, www.certainteed.com/products/fence-railing-deck/railing/313628, visited Jan. 29, 2016.

Alleged pictures of Trex Transcend Top Rail, Green Bay Decking—Integra Rail, RDI Transform Series Rail, Gossen Railing, and Menards Ultradeck Railing, from third party (titles and miscellaneous text have been added by third party; original sources/authors, titles, and publication dates of pictures not known).

Alleged pictures of Fiberon/Fiber Composites, LLC Railing allegedly circa 2002, Gossen Railing, AERT Railing, and Certainteed Panorama Railing, from third party (titles and miscellaneous text/symbols have been added by third party; original sources/authors, titles, and publication dates of pictures not known).

Gossen Corporation, Performance Railing System, <http://www.gossencorp.com/railing.php>, Jun. 11, 2014, visited Jan. 29, 2016 via <https://web.archive.org/web/20140611083437/http://www.gossencorp.com/railing.php>.

Gossen Corporation, Code Compliance Research Report CCRR-0221, Apr. 7, 2015.

Gossen Corporation, Gossen WeatherReady Railing, <http://www.gossencorp.com/railing.php>, Sep. 3, 2012, visited Jan. 29, 2016 via <https://web.archive.org/web/20120903150713/http://www.gossencorp.com/railing.php>.

Green Bay Decking LLC, Integra Rail, U.S. Appl. No. 77/852,500, filed Oct. 20, 2009.

The Des Moines Register, p. 405, Jun. 29, 2003.

Midwest Manufacturing, Natural Railing, <http://www.midwestmanufacturing.com/MidwestManufacturing/productDetail.do?groupId=1&lineId=8&productId=201>, Sep. 22, 2014, visited Jan. 26, 2016 via <https://web.archive.org/web/20140922121245/http://www.midwestmanufacturing.com/MidwestManufacturing/productDetail.do?groupId=1&lineId=8&productId=201>.

Midwest Manufacturing, Pinnacle Top Rail Caps, <http://www.midwestmanufacturing.com/MidwestManufacturing/productDetail.do?groupId=1&lineId=8&productId=1366>, Aug. 3, 2010, visited Jan. 28, 2016 via <https://web.archive.org/web/20100803030153/http://www.midwestmanufacturing.com/MidwestManufacturing/productDetail.do?groupId=1&lineId=8&productId=1366>.

UltraDeck Reversible, <http://ultradeck.com/products.htm>, Feb. 13, 2005, visited Jan. 28, 2016 via <https://web.archive.org/web/20050213125854/http://ultradeck.com/products.htm>.

Midwest Manufacturing, UltraDeck Rustic Rail, <http://www.midwestmanufacturing.com/MidwestManufacturing/productDetail.do?groupId=1&lineId=8&productId=200>, May 22, 2013, visited Jan. 26, 2016 via <https://web.archive.org/web/20130522185339/http://www.midwestmanufacturing.com/MidwestManufacturing/productDetail.do?groupId=1&lineId=8&productId=200>.

Menard, Inc., Ultradeck, Registration No. 2,933,451, registered Mar. 15, 2005.

Railing Dynamics, Inc., Transform, Registration No. 4,569,628, registered Jul. 15, 2014 and Transform (& Design), Registration No. 4,569,629, registered Jul. 15, 2014.

Trex Company, Inc. Trex Artisan Series Railing, Registration No. 3,182,562, registered Dec. 12, 2006.

Google Images, Trex Transcend Railing, example at https://www.google.com/search?q=trex+transcend+railing&rlz=1C2OPRB_enUS555US555&biw=1424&bih=951&tbm=isch&tbo=u&source=univ&sa=X&sqi=2&ved=0ahUKEwjBqK-EztfKAhUHulMKHYsYAnQQsAQIPg#imgrc=__, example visited Jan. 26, 2016.

Trex Company, Inc., Trex Transcend, Registration No. 4,107,731, registered Mar. 6, 2012.

Trex Company, Inc., Transcend, Registration No. 3,773,349, registered Apr. 6, 2010.

Trex Company, Inc., Transcend, www.trex.com/products/railing/transcend/, visited Jan. 26, 2016.

* cited by examiner

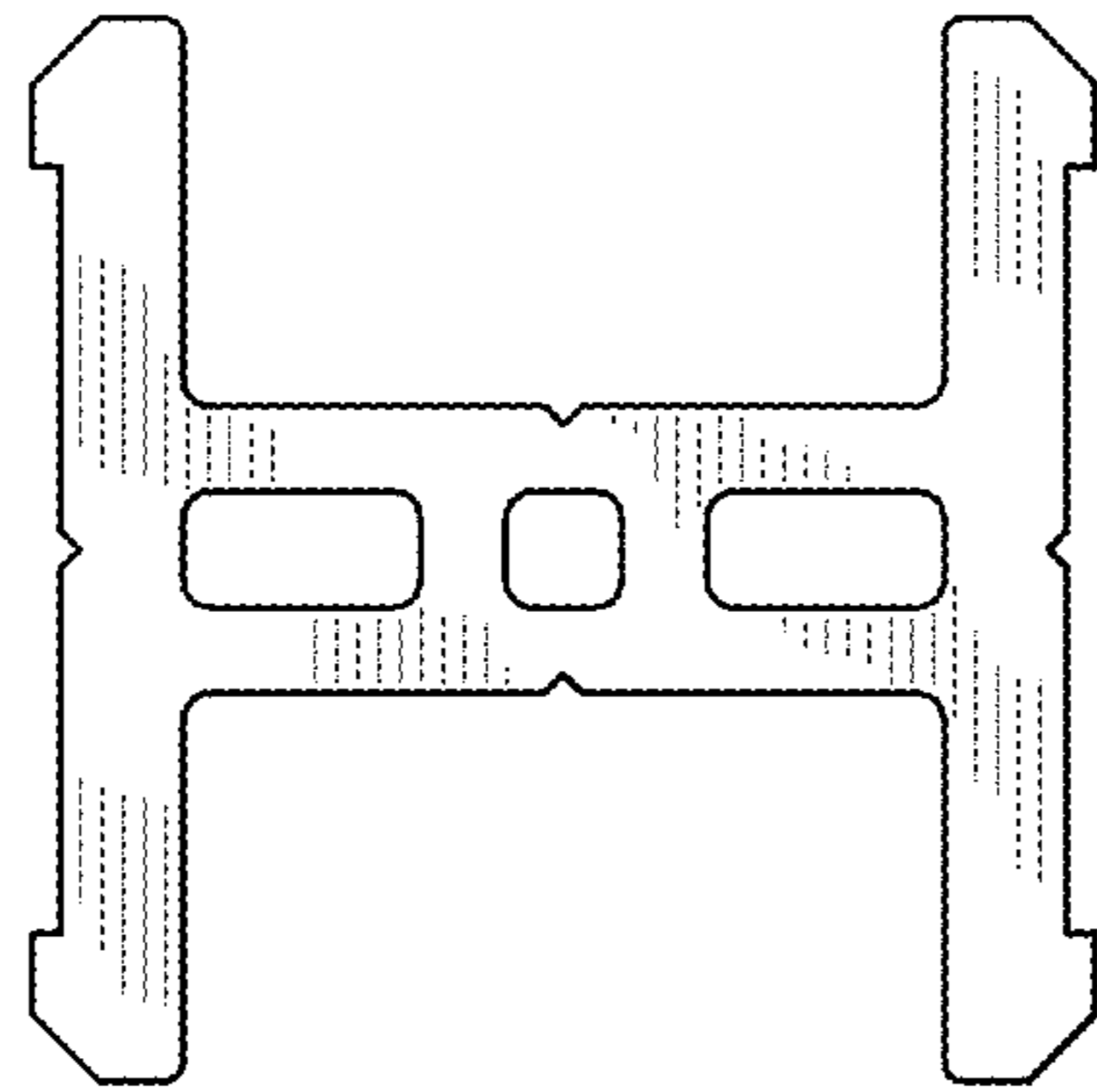


Fig. 1

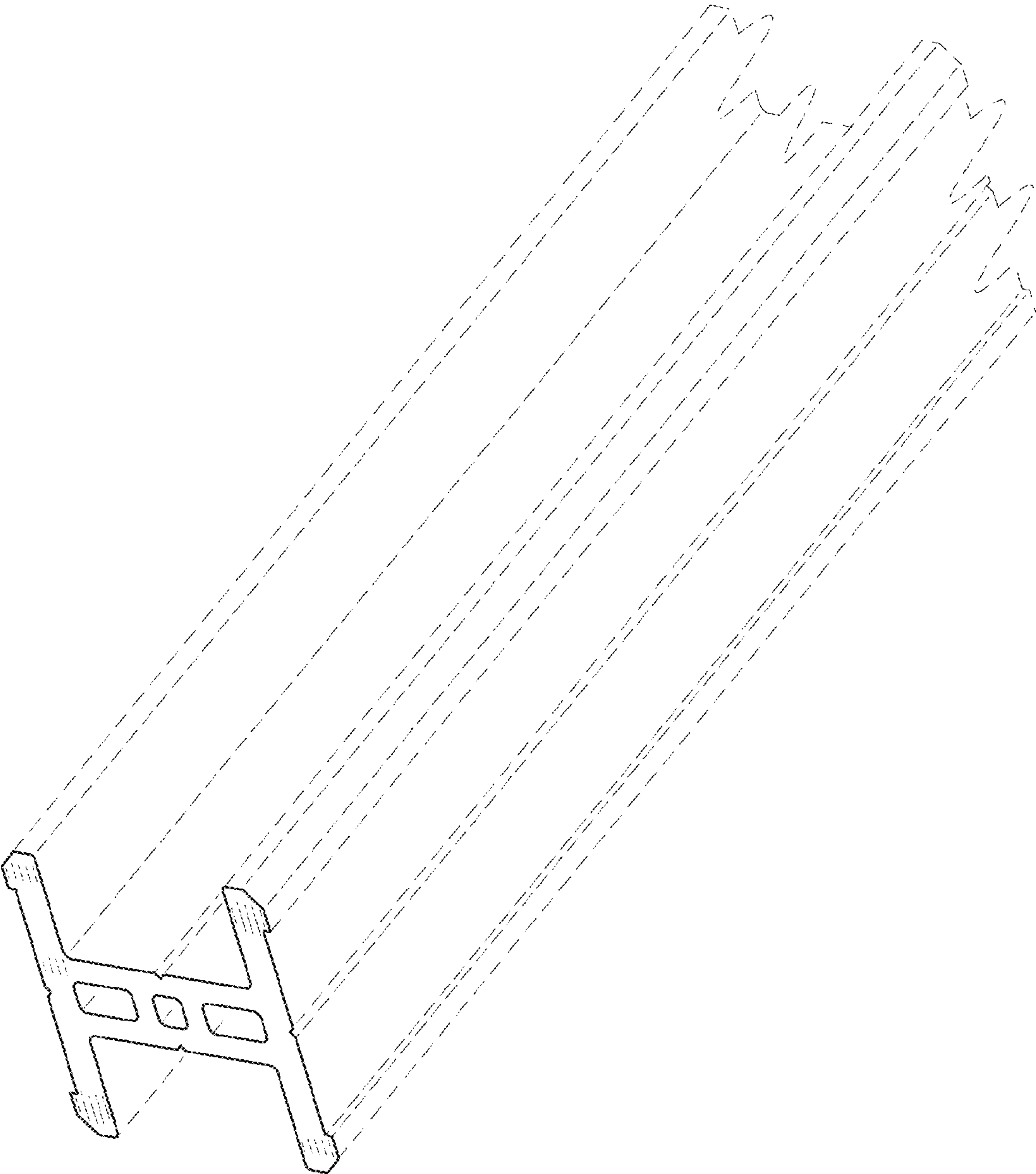


Fig. 2

UNITED STATES PATENT AND TRADEMARK OFFICE
CERTIFICATE OF CORRECTION

PATENT NO. : D787,707 S
APPLICATION NO. : 29/520846
DATED : May 23, 2017
INVENTOR(S) : Paul M. Bizzari et al.

Page 1 of 1

It is certified that error appears in the above-identified patent and that said Letters Patent is hereby corrected as shown below:

On the Title Page

On page 6, under Foreign Patent Documents section, reference WO 02057692. Please delete "2000"
and insert --2002--.

Signed and Sealed this
Nineteenth Day of September, 2017



Joseph Matal
*Performing the Functions and Duties of the
Under Secretary of Commerce for Intellectual Property and
Director of the United States Patent and Trademark Office*