



US00D787706S

(12) **United States Design Patent** (10) **Patent No.:** **US D787,706 S**
Goddard (45) **Date of Patent:** **** May 23, 2017**

(54) **STORAGE ENCLOSURE**
(71) Applicant: **Nazbin Goddard**, Enfield (GB)
(72) Inventor: **Nazbin Goddard**, Enfield (GB)
(**) Term: **14 Years**

D365,154 S * 12/1995 Maple D25/16
D393,724 S * 4/1998 Sagol D25/16
D411,625 S * 6/1999 Fuller D25/56
D451,609 S * 12/2001 Zeilinger D25/56
D592,761 S * 5/2009 Gessford D25/48.5
(Continued)

(21) Appl. No.: **29/489,975**
(22) Filed: **May 5, 2014**

FOREIGN PATENT DOCUMENTS

JP D1238535 * 5/2005
JP D1302059 * 5/2007

(51) **LOC (10) Cl.** **25-02**
(52) **U.S. Cl.**

OTHER PUBLICATIONS

<http://www.shawburygardencentre.co.uk/garden-sheds-and-storage/bin-stores/rowlinson-kanny-bin-store> Retrieved Sep. 13, 2016.*

USPC **D25/33**

(Continued)

(58) **Field of Classification Search**
USPC D25/16, 32, 33, 55, 56; D34/1, 7, 11;
52/22, 23, 36.2, 64, 66, 69, 90.1, 92.1,
52/192, 262, 745.1; 220/832; 312/203,
312/204, 290
CPC B65D 43/24; E04F 10/08; A01K 1/033;
E04H 1/12

Primary Examiner — Rosemary K Tarcza
Assistant Examiner — Leanne Was-Englehart
(74) *Attorney, Agent, or Firm* — Franklin & Associates
International Inc; Matthew F. Lambrinos

See application file for complete search history.

(57) **CLAIM**

(56) **References Cited**

The ornamental design for a storage enclosure, as shown and described.

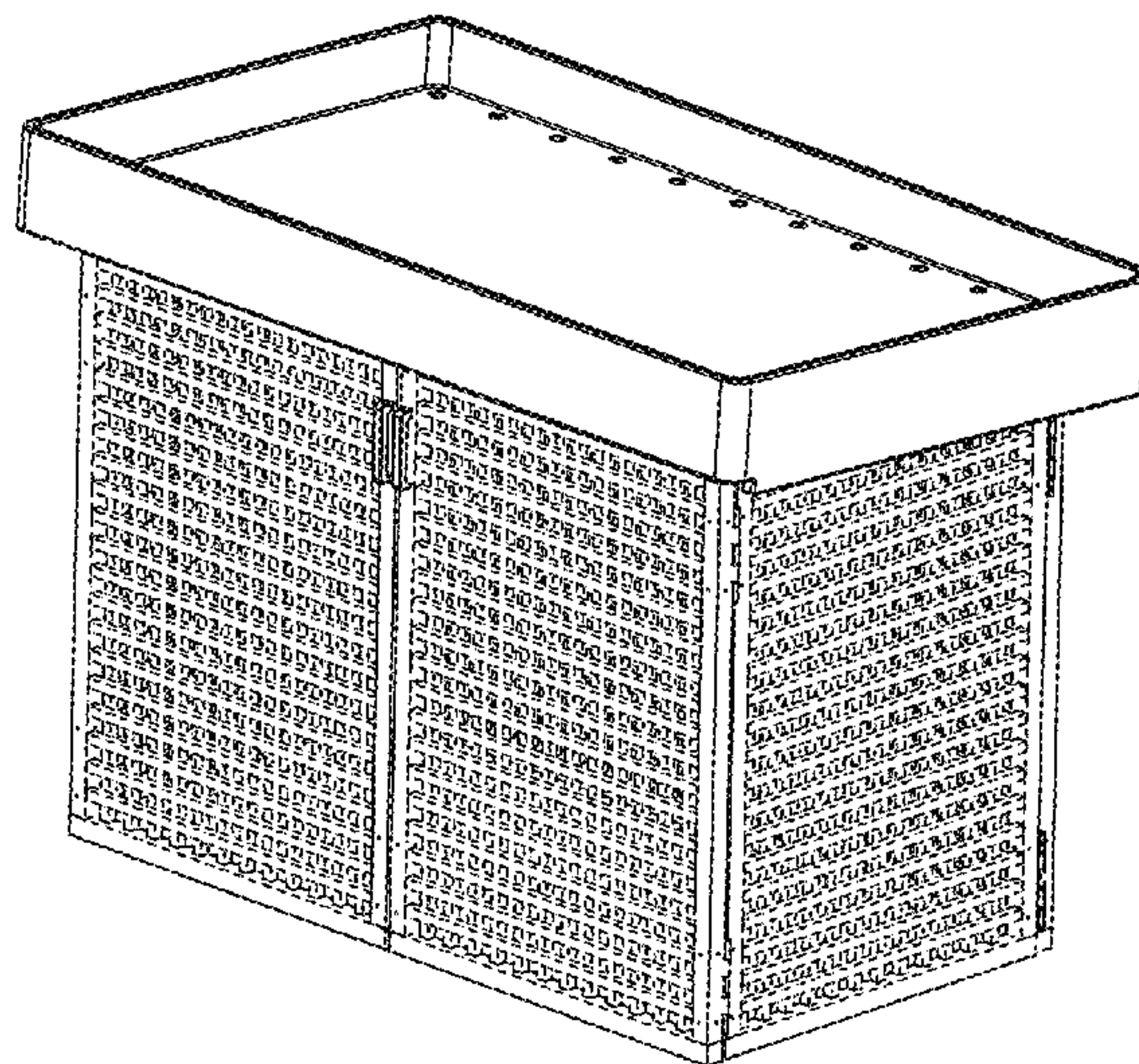
U.S. PATENT DOCUMENTS

DESCRIPTION

D172,384 S * 6/1954 Dynda D25/56
2,787,028 A * 4/1957 Webb A01K 1/033
52/198
D206,667 S * 1/1967 Bakanowsky et al. D25/48.6
3,388,510 A * 6/1968 Smith E04F 10/08
52/15
D212,289 S * 9/1968 Ensign D25/48.6
D234,431 S * 3/1975 McGehee et al. D25/48.6
D261,433 S * 10/1981 Sugano D20/2
D261,434 S * 10/1981 Sugano D20/2
D275,796 S * 10/1984 Nishida D25/48.5
D275,797 S * 10/1984 Nishida D25/48.6
D284,511 S * 7/1986 Smith D25/48.6
D284,512 S * 7/1986 Smith D25/48.6
D284,705 S * 7/1986 Smith D25/48.6
D323,729 S * 2/1992 Weiland D34/7
D335,012 S * 4/1993 Broussard D34/7

FIG. 1 is a perspective view from above of a storage enclosure showing my new design;
FIG. 2 is a front view of the storage enclosure of FIG. 1;
FIG. 3 is a left side view of the storage enclosure of FIG. 1;
FIG. 4 is a right side view of the storage enclosure of FIG. 1;
FIG. 5 is a rear view of the storage enclosure of FIG. 1; and,
FIG. 6 is a top view of the storage enclosure of FIG. 1.
The broken lines shown in the drawings represent portions of the storage enclosure that form no part of the claimed design.

1 Claim, 6 Drawing Sheets



(56)

References Cited

U.S. PATENT DOCUMENTS

D612,952 S * 3/2010 Balastik D25/48.6
 7,895,791 B2 * 3/2011 Miller E06B 11/085
 49/31
 D641,496 S * 7/2011 Phillips D25/33
 D653,354 S * 1/2012 Uffner D25/32
 D688,806 S * 8/2013 Phillips D25/33
 D689,197 S * 9/2013 Thuma D25/33
 D689,622 S * 9/2013 Thuma D25/33
 D691,285 S * 10/2013 Thuma D25/33
 D696,792 S * 12/2013 Cheong D25/48.5
 D728,824 S * 5/2015 McKimmy D25/33
 D729,409 S * 5/2015 Friedli D25/48.6
 D729,945 S * 5/2015 Foreman D25/16
 D735,353 S * 7/2015 Kent D25/33
 D742,030 S * 10/2015 Magiera D25/33
 D745,188 S * 12/2015 Hart D25/16
 D752,242 S * 3/2016 Kroeplien D25/33
 D757,300 S * 5/2016 Haberland D25/48.1
 2005/0076854 A1 * 4/2005 Passno A01K 1/033
 119/500
 2006/0101716 A1 * 5/2006 Vandyck G07C 9/02
 49/35

2007/0271846 A1 * 11/2007 Miller E06B 11/085
 49/49
 2009/0025295 A1 * 1/2009 Ropelato E06B 11/085
 49/46
 2009/0307976 A1 * 12/2009 Burgin G07C 9/02
 49/47
 2012/0031006 A1 * 2/2012 Katagata B61B 1/02
 49/360
 2014/0158702 A1 * 6/2014 Phillips B65D 43/24
 220/832
 2016/0010378 A1 * 1/2016 Ziemkowski E06B 11/085
 49/31

OTHER PUBLICATIONS

<http://www.bearicuda.com/enclosures/enclosure-garden-potter.php>
 Available Jun. 30, 2014.*
 Nazbin Goddard, Design View of Registered Community Design
 No. 002340208-0001, Nov. 6, 2013, Office for Harmonization of the
 Internal Market, downloaded from <https://www.tmdn.org/tmdsview-web/welcome> on May 5 2014.

* cited by examiner

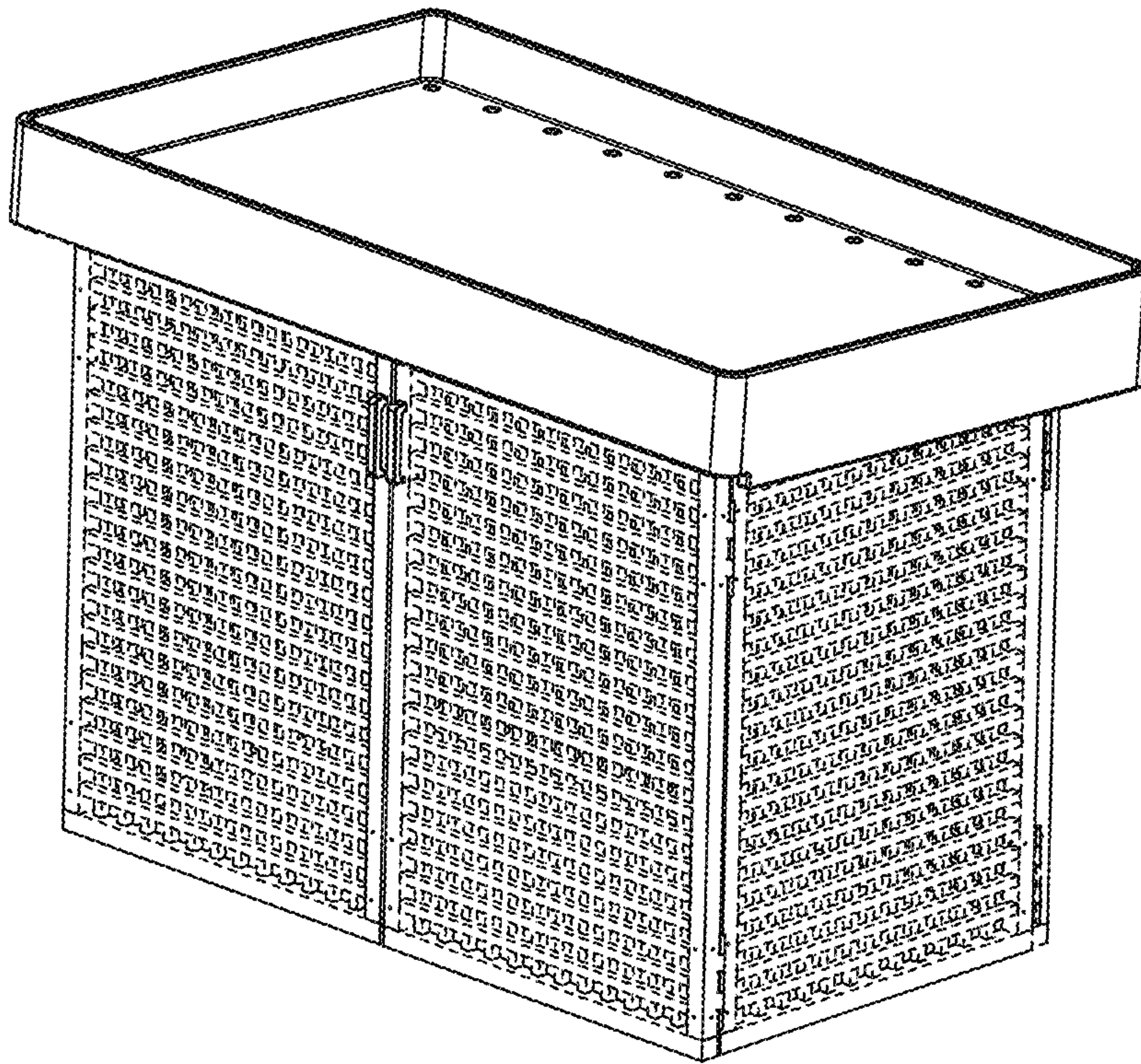


FIG. 1

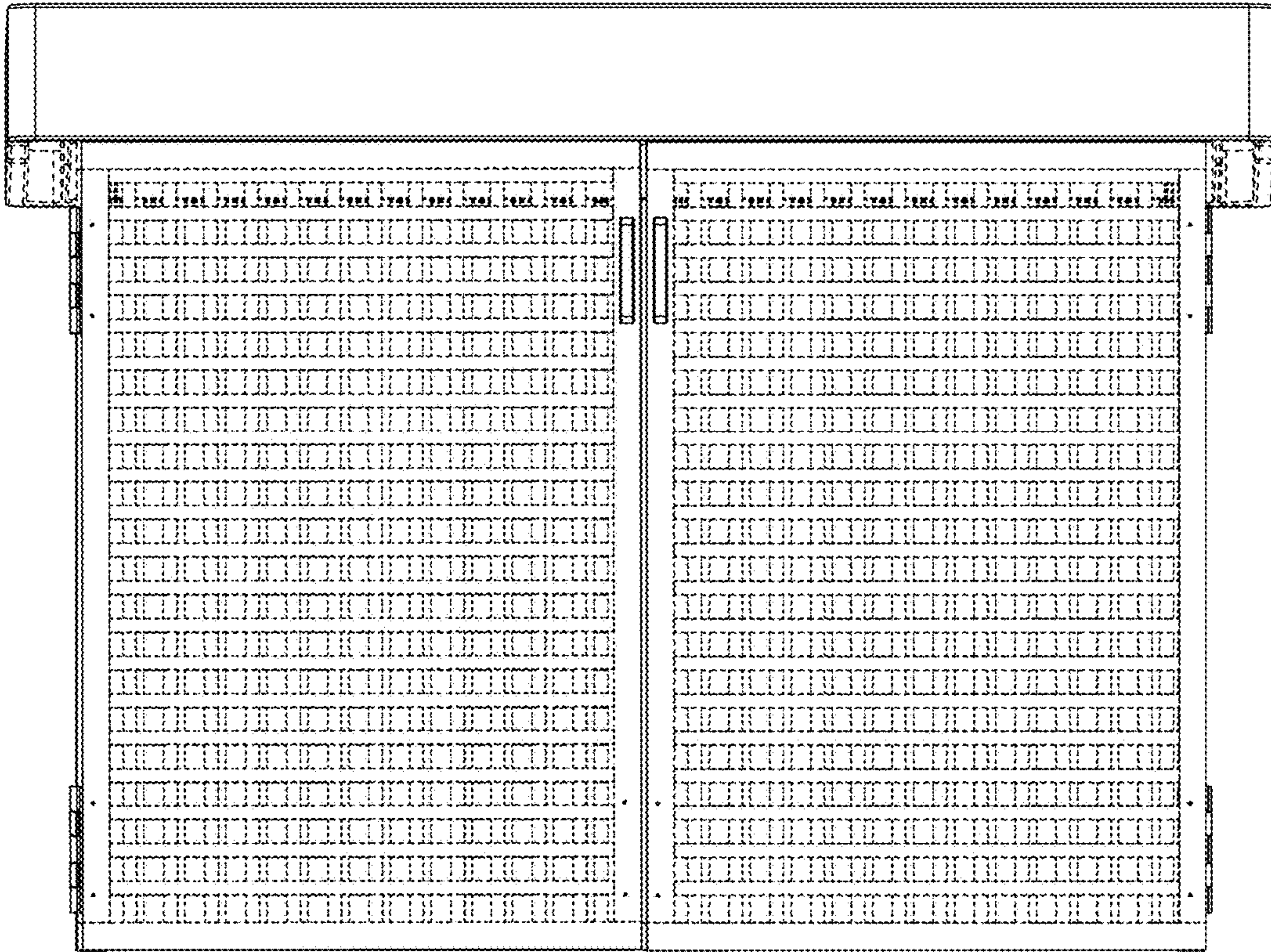


FIG. 2

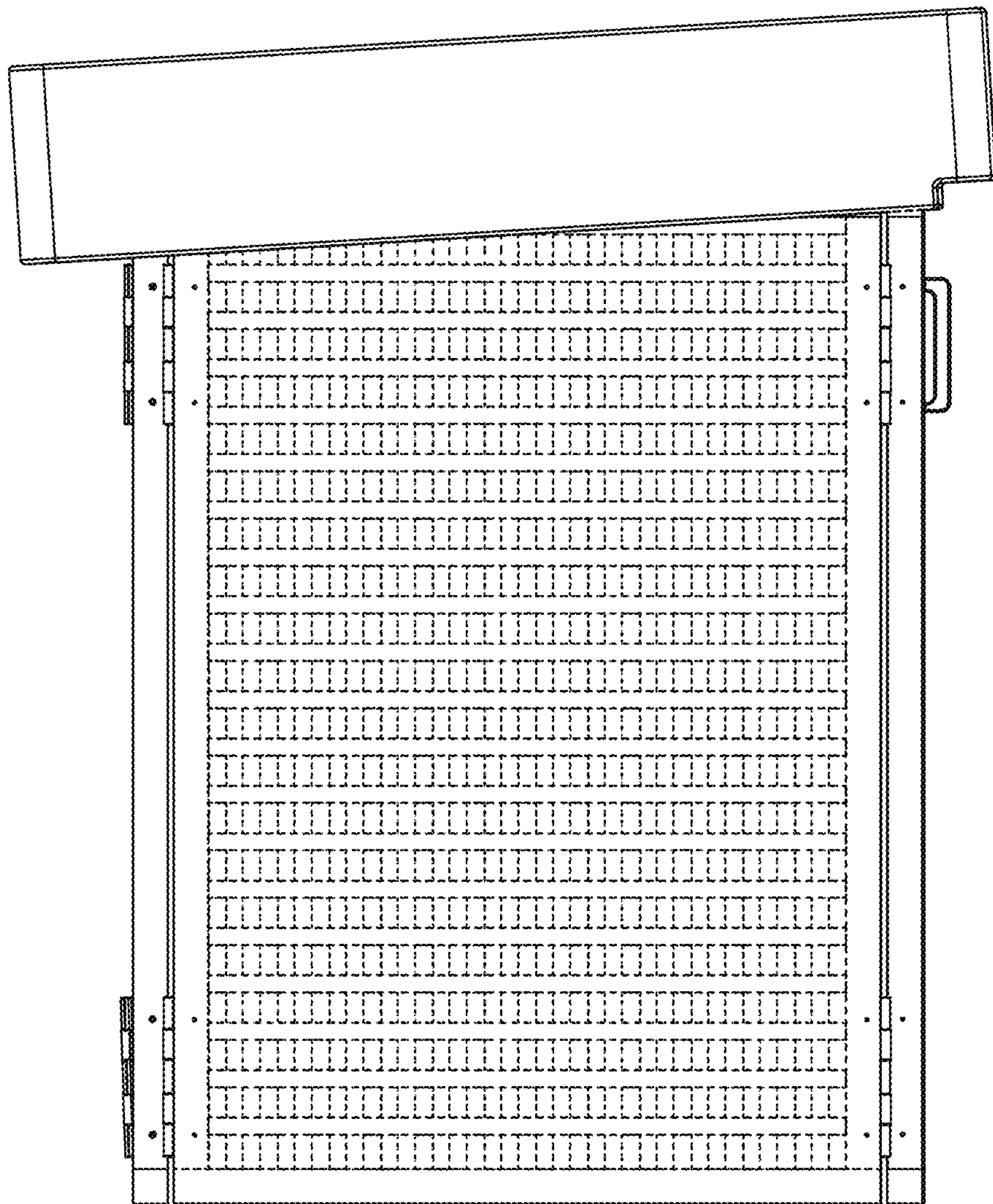


FIG. 3

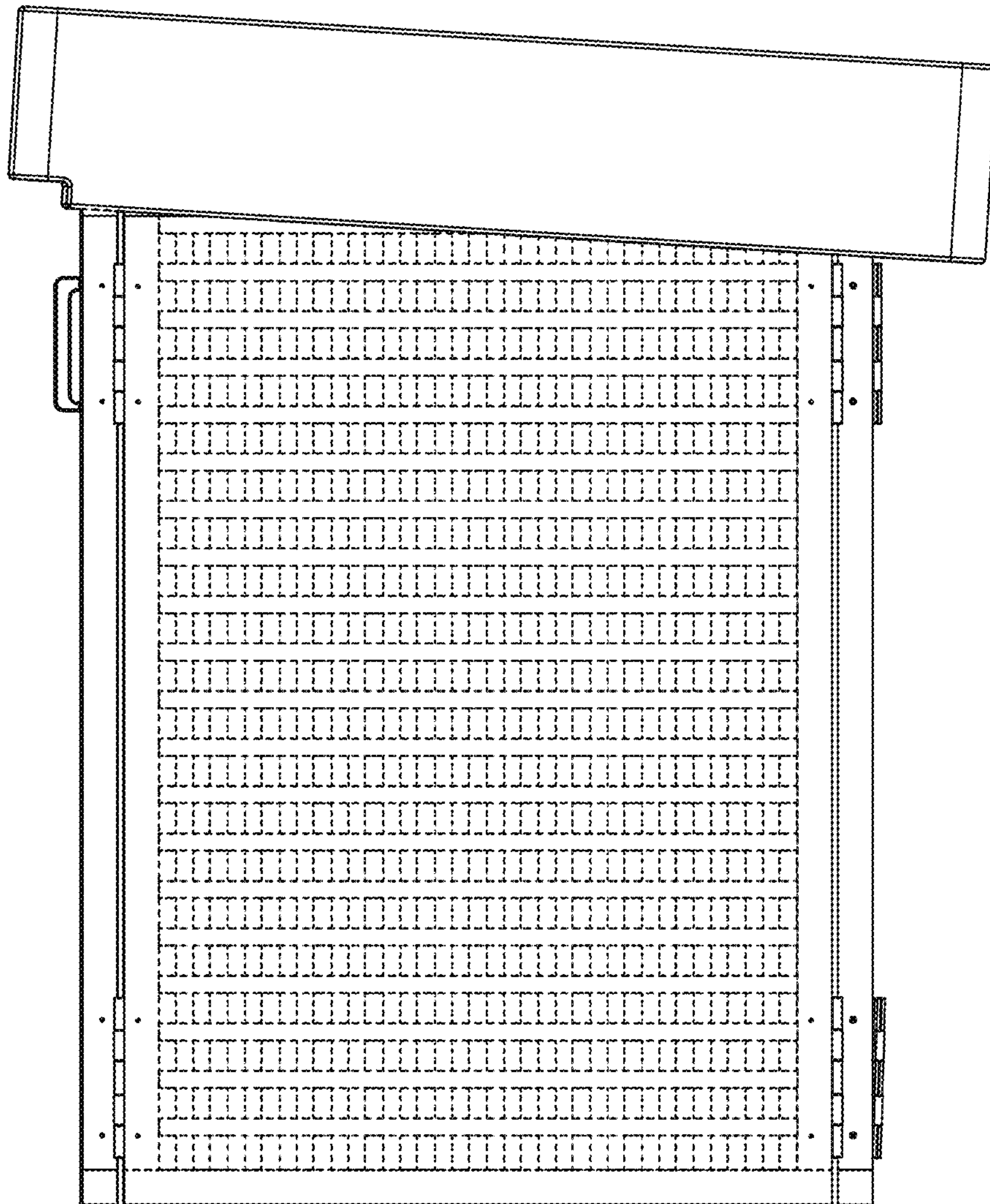


FIG. 4

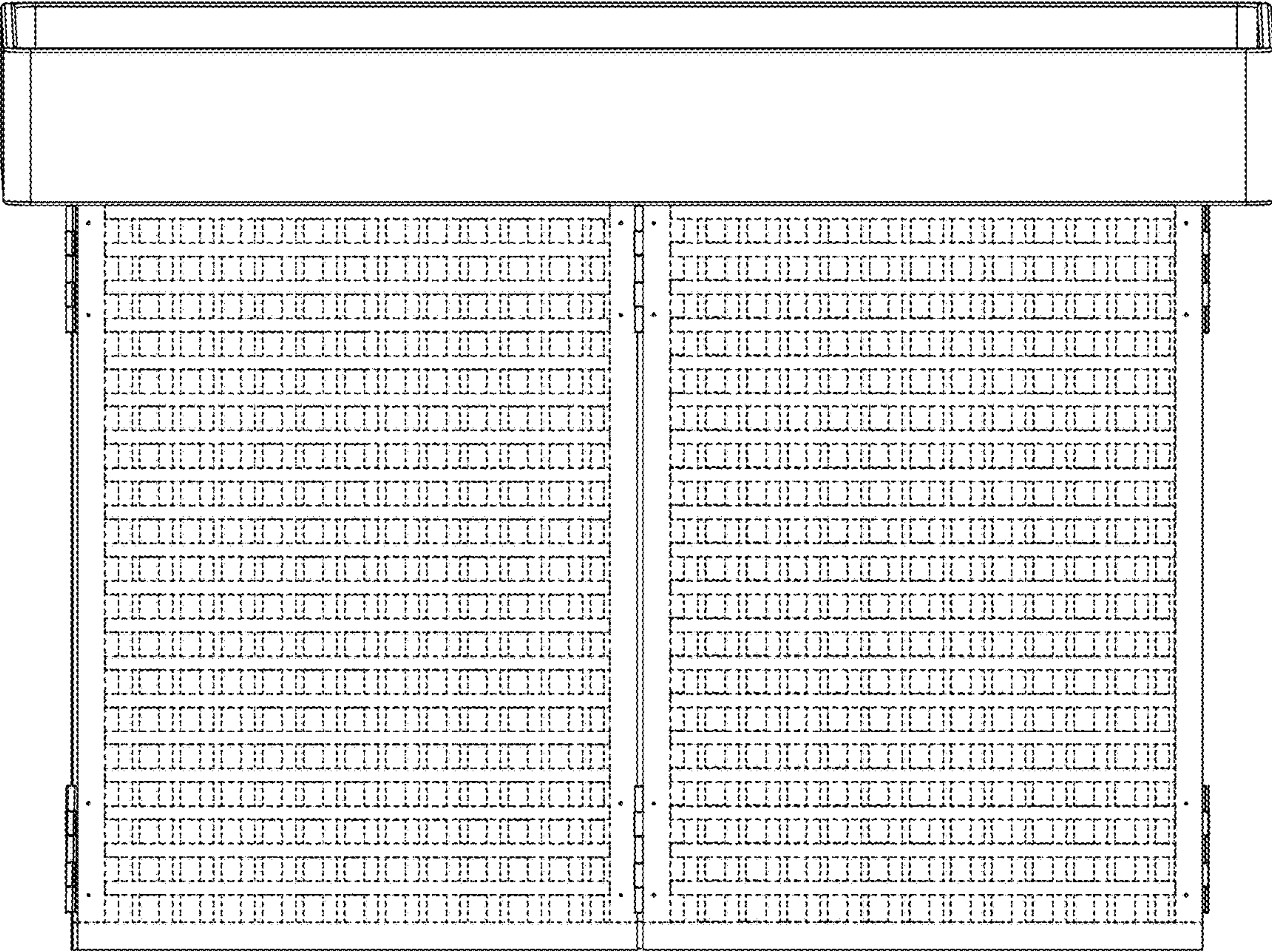


FIG. 5

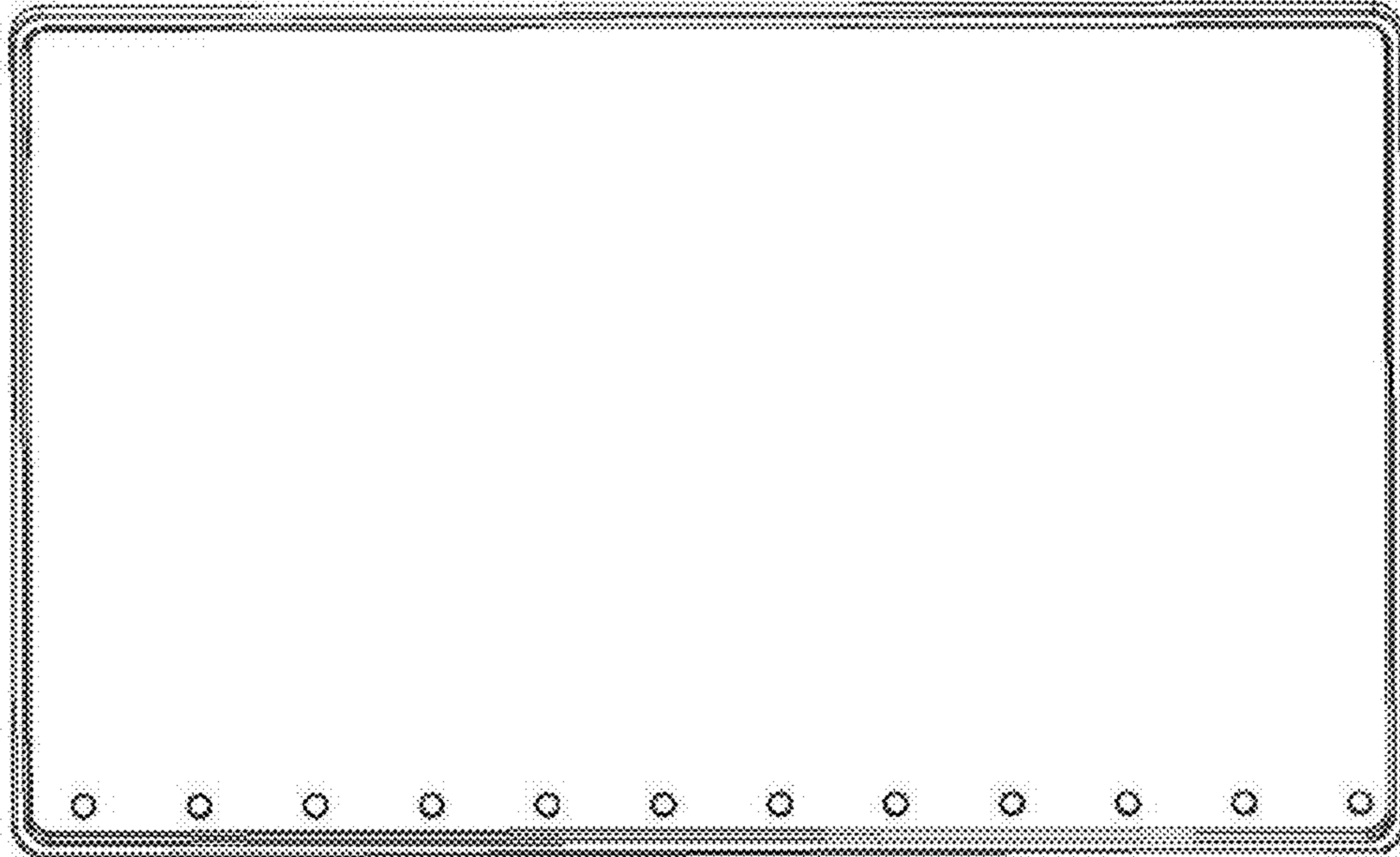


FIG. 6

UNITED STATES PATENT AND TRADEMARK OFFICE
CERTIFICATE OF CORRECTION

PATENT NO. : D787,706 S
APPLICATION NO. : 29/489975
DATED : May 23, 2017
INVENTOR(S) : Nazbin Goddard

Page 1 of 1

It is certified that error appears in the above-identified patent and that said Letters Patent is hereby corrected as shown below:

On the Title Page

Please insert:

--(30) Foreign Application Priority Data

6 Nov. 2013, (EM)..... 002340208--

After the line reading "(22) Filed: May. 5, 2014" and before the line reading "(51) LOC (10) Cl.

.....25-02"

Signed and Sealed this
Seventh Day of November, 2017



Joseph Matal

*Performing the Functions and Duties of the
Under Secretary of Commerce for Intellectual Property and
Director of the United States Patent and Trademark Office*