



US00D787704S

(12) **United States Design Patent**
Walter

(10) **Patent No.:** **US D787,704 S**
(45) **Date of Patent:** **** May 23, 2017**

(54) **PORTABLE CABIN**
(71) Applicant: **OfficePOD Limited**, London (GB)
(72) Inventor: **Robert Walter**, London (GB)
(73) Assignee: **OfficePOD Limited**, London (GB)

D641,090 S * 7/2011 Clark D25/16
D643,131 S * 8/2011 Howard D25/15
D731,077 S * 6/2015 Lehmann D25/16
D732,690 S * 6/2015 Lehmann D25/16
D736,949 S * 8/2015 Dar D25/16
D748,281 S * 1/2016 Whitman D25/16
2008/0005974 A1* 1/2008 Delgado Vazquez ... E04H 1/125
52/36.1

(**) Term: **15 Years**

* cited by examiner

(21) Appl. No.: **29/541,840**

Primary Examiner — Susan Bennett Hattan

(22) Filed: **Oct. 8, 2015**

Assistant Examiner — Brett Miller

(30) **Foreign Application Priority Data**

(74) *Attorney, Agent, or Firm* — Egbert Law Offices,
PLLC

Apr. 8, 2015 (EM) 002677310-0004

(51) **LOC (10) Cl.** **25-03**

(57) **CLAIM**

(52) **U.S. Cl.**
USPC **D25/16**

The ornamental design for a portable cabin, as shown and described.

(58) **Field of Classification Search**
USPC D25/1, 4, 12, 15, 16-18, 21, 31-34, 56,
D25/10, 22, 61, 19, 30; D21/837; 52/86,
52/73-78, 79.1

DESCRIPTION

CPC E04B 7/08; E04B 1/3205; E04B 1/3416;
E04B 1/3408; E04H 15/36; E04H
1/1205-1/14; E04H 1/02

FIG. 1 is a front perspective view of a portable cabin showing my new design.
FIG. 2 is a rear perspective view thereof;
FIG. 3 is a side view thereof;
FIG. 4 is an opposite side view thereof;
FIG. 5 is an end view thereof; and,
FIG. 6 is a top plan view thereof.

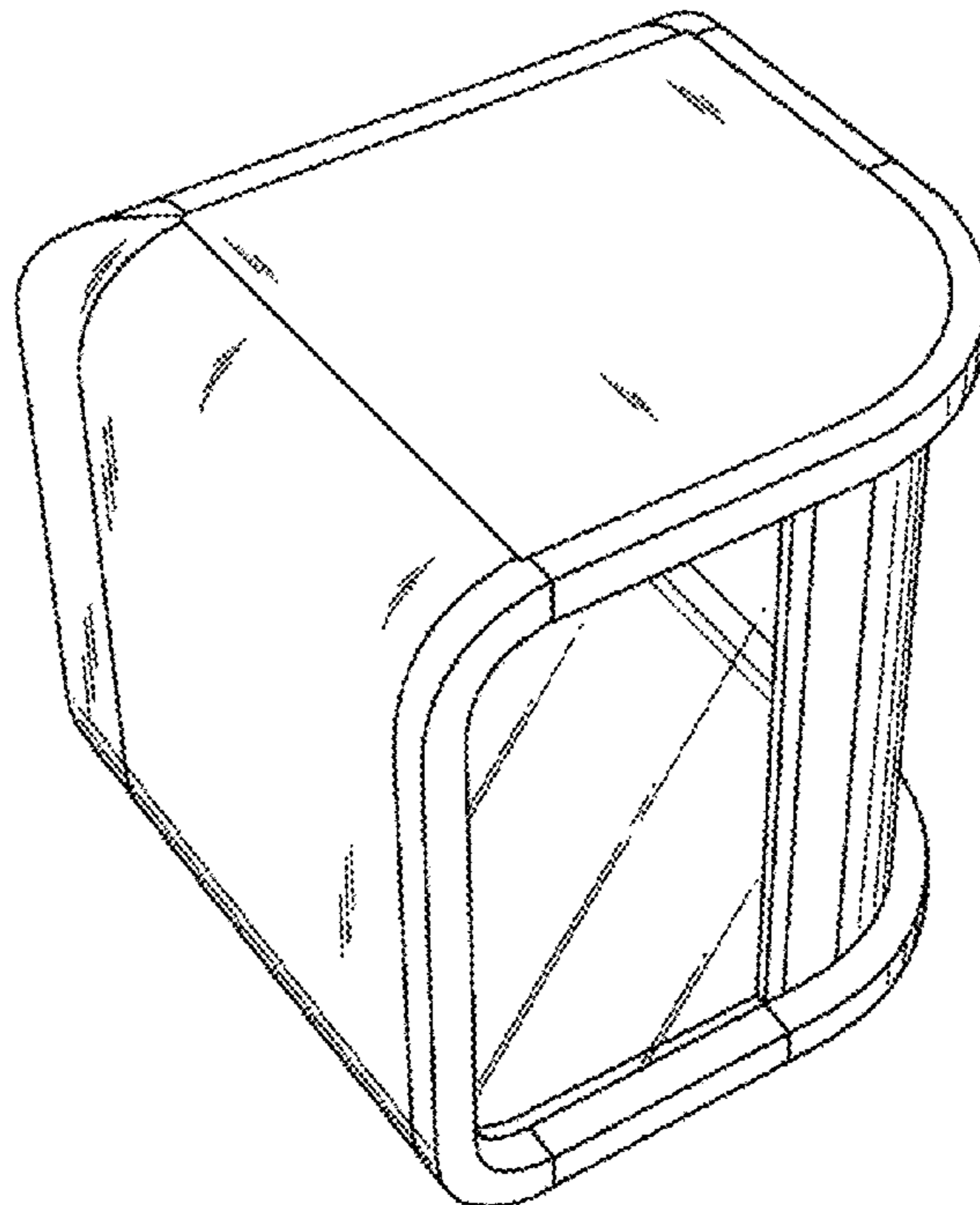
See application file for complete search history.

(56) **References Cited**

U.S. PATENT DOCUMENTS

1 Claim, 3 Drawing Sheets

D434,157 S * 11/2000 Rupp D25/1
D638,551 S * 5/2011 Gann D25/16



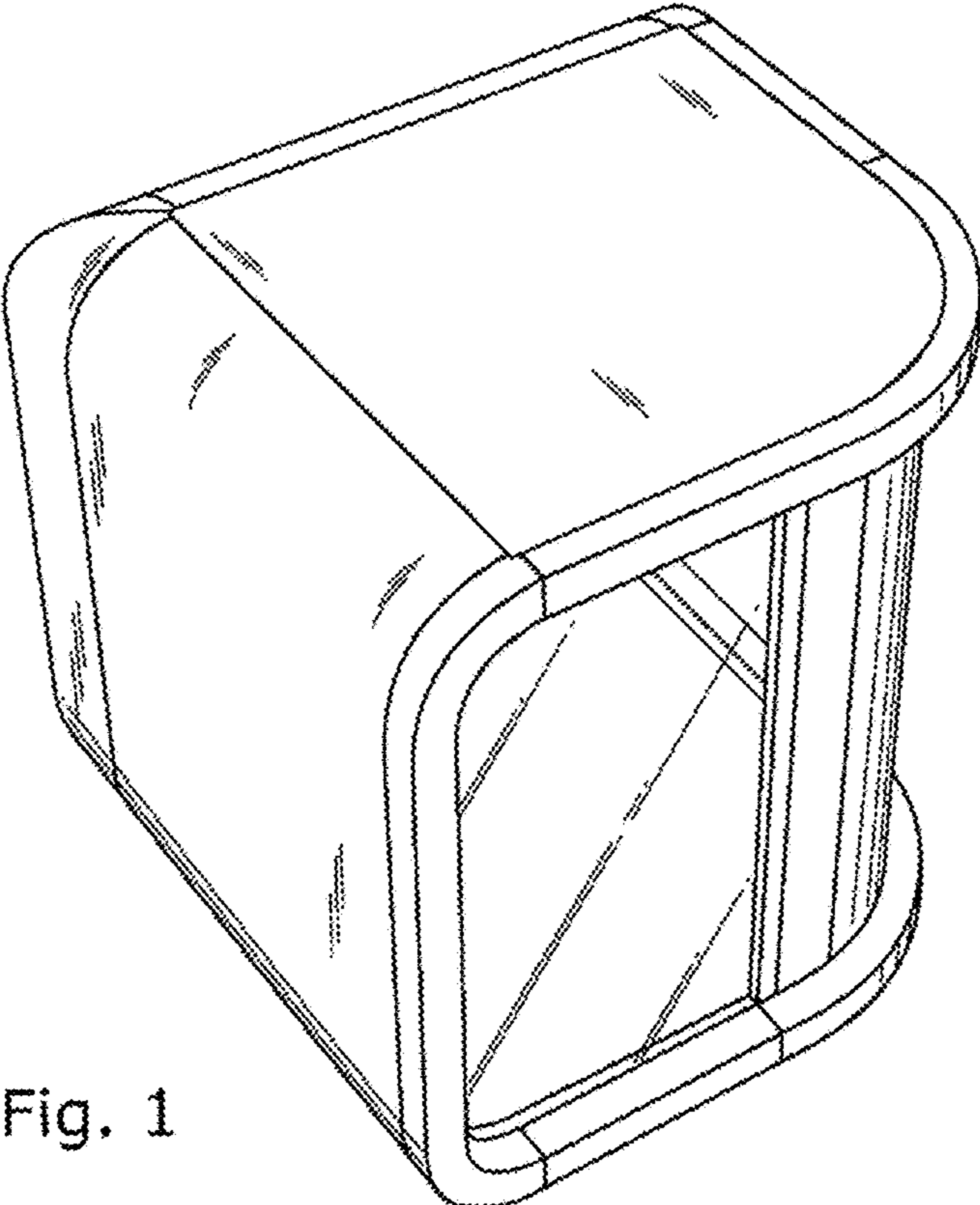


Fig. 1

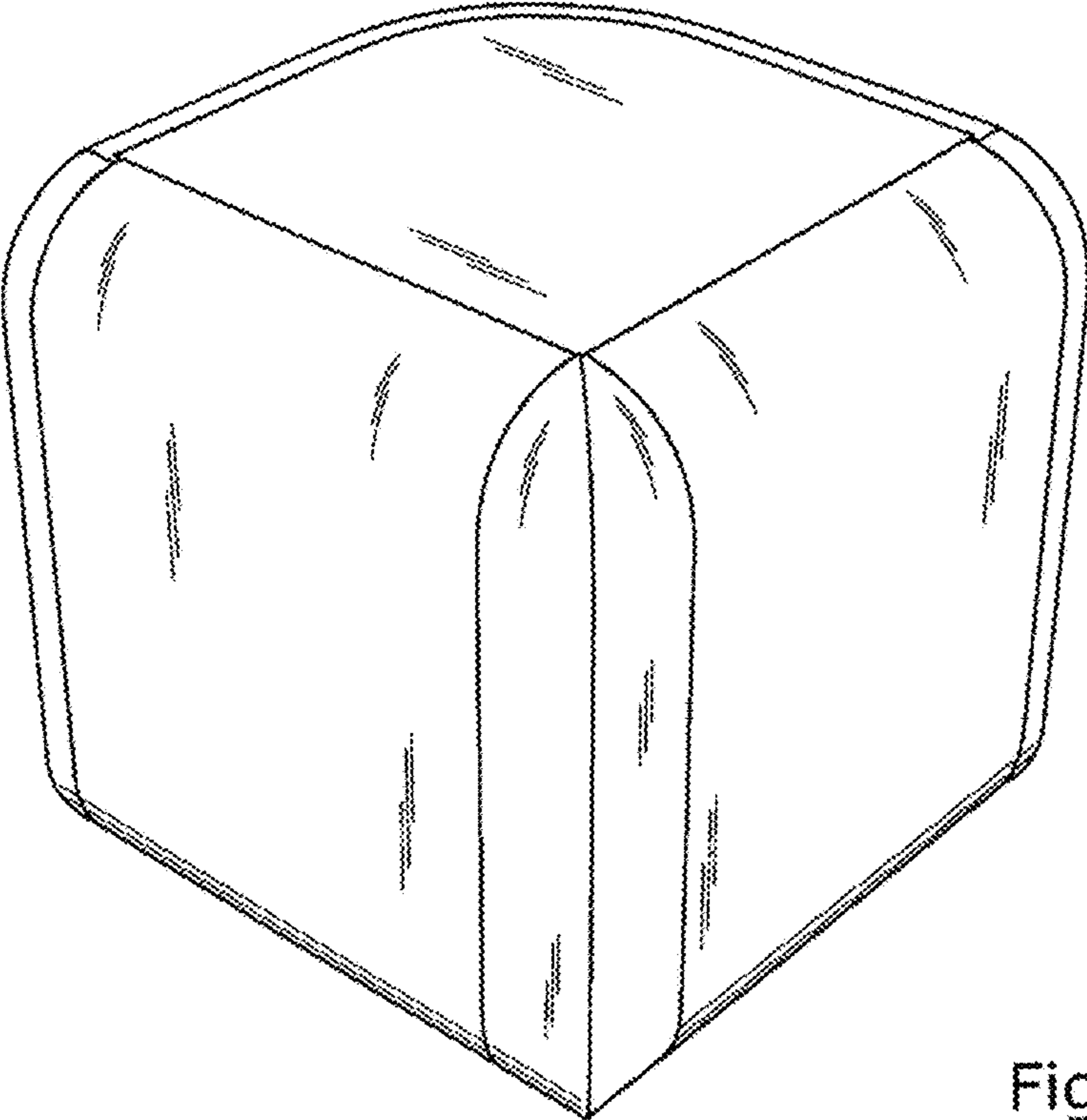


Fig. 2

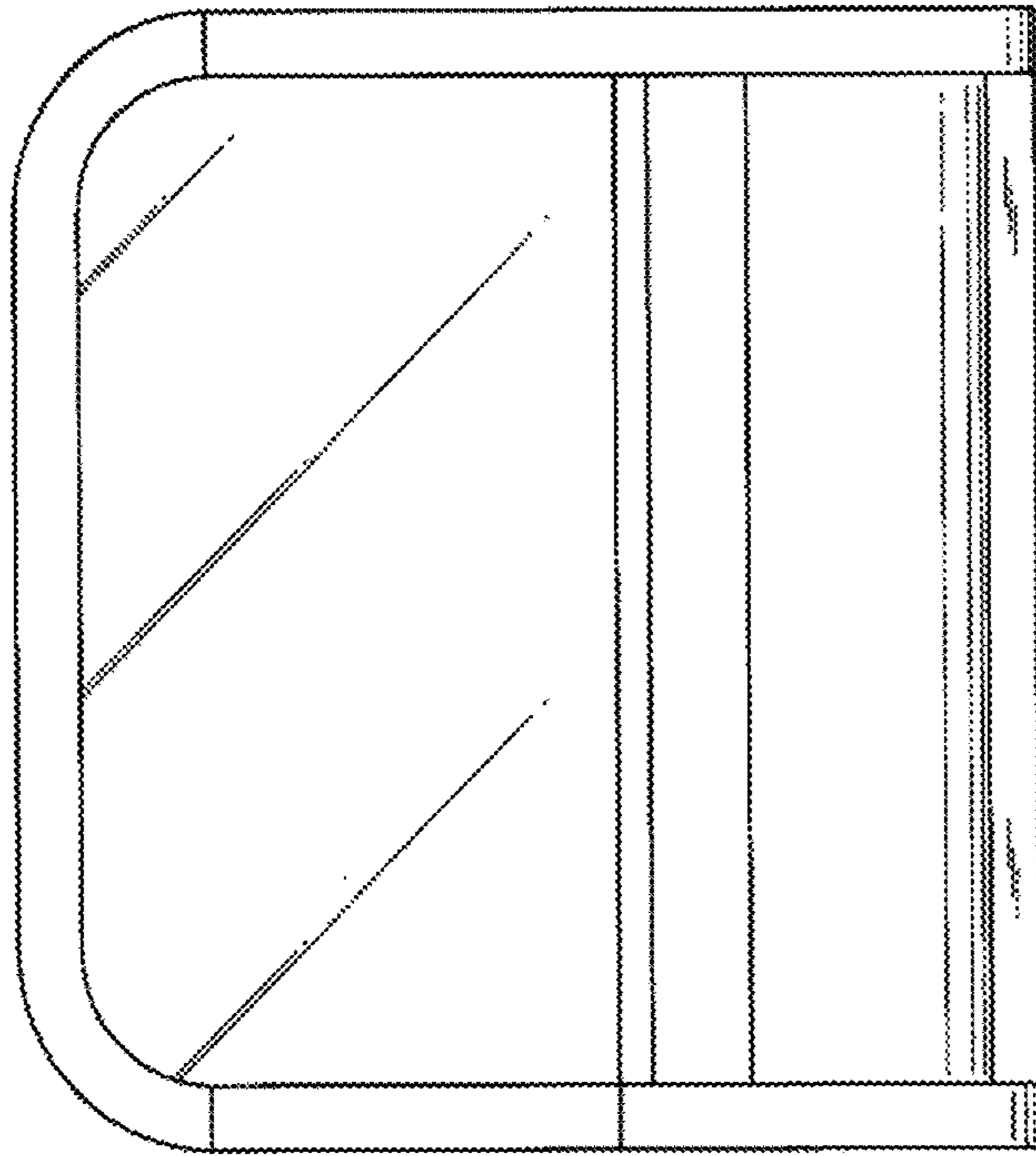


Fig. 3

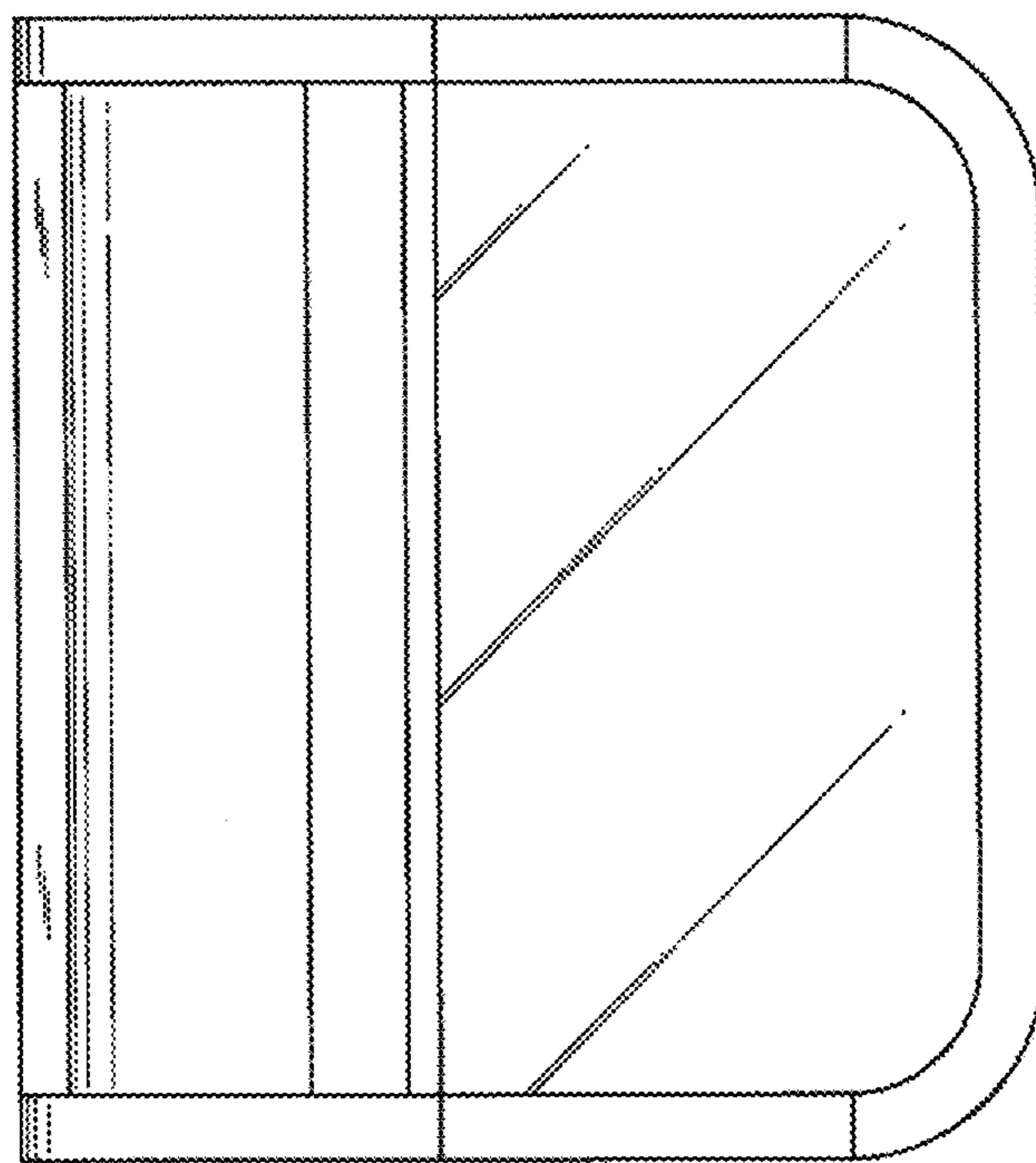


Fig. 4

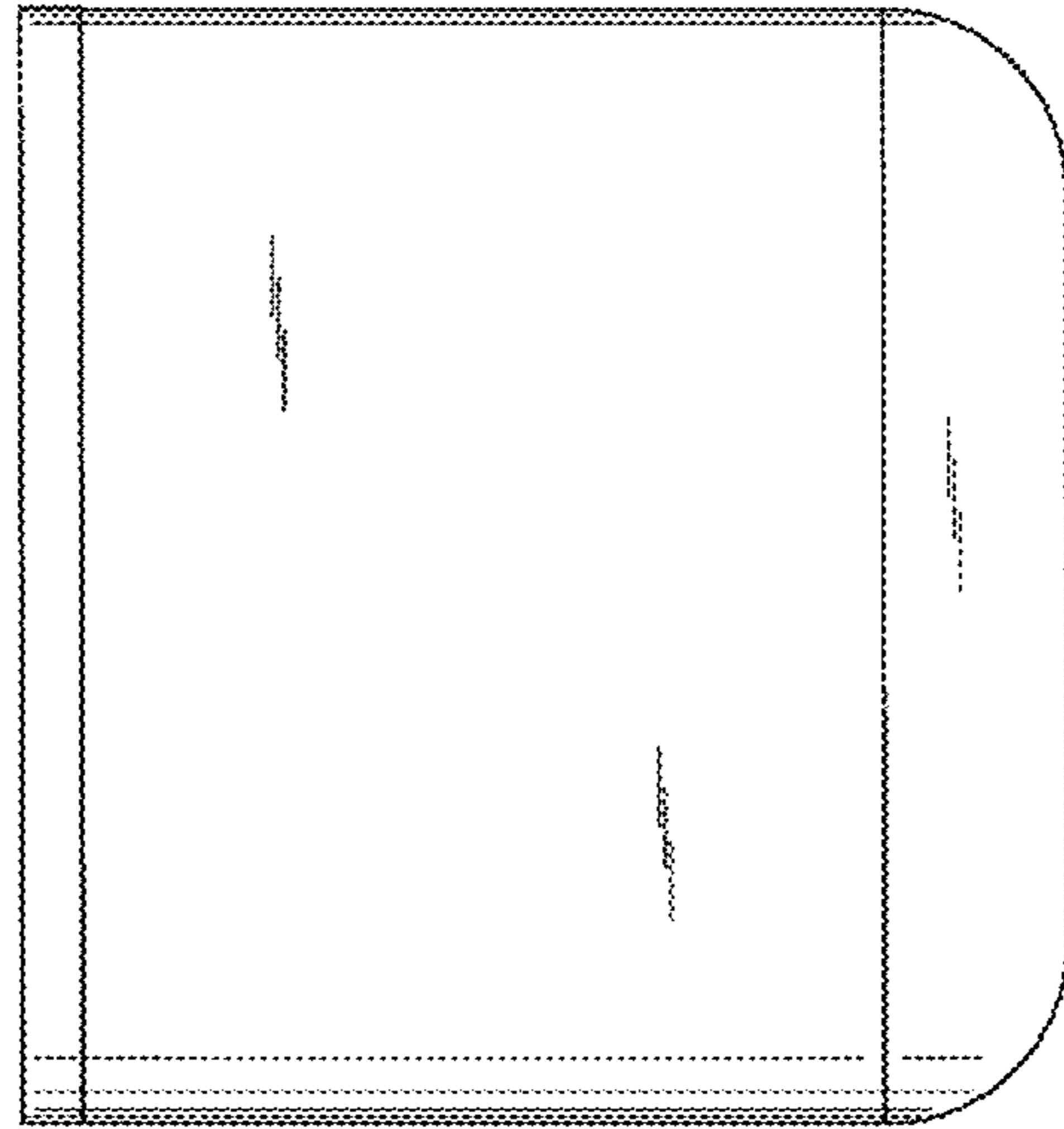


Fig. 5

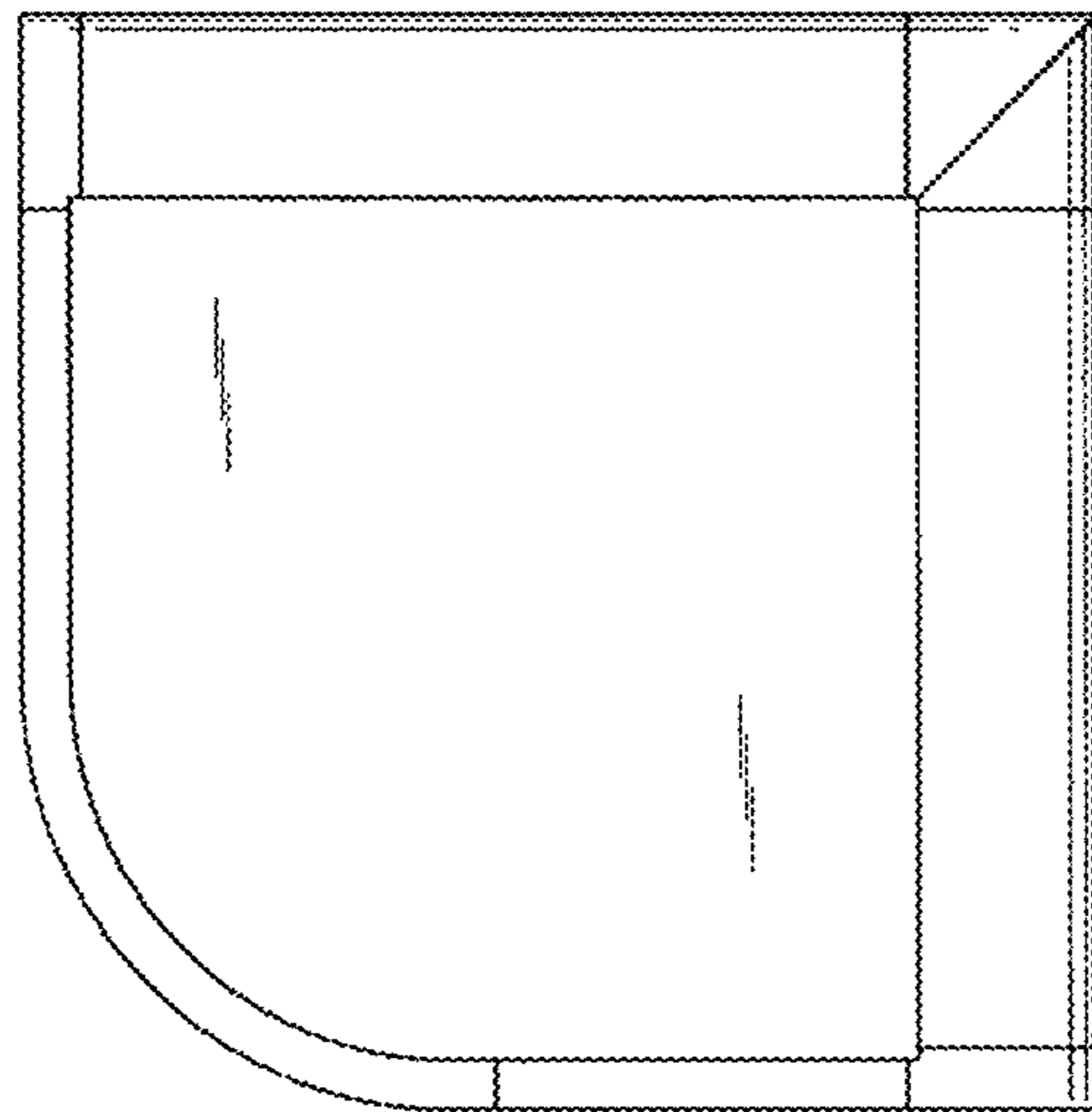


Fig. 6