



US00D787702S

(12) **United States Design Patent** (10) **Patent No.:** **US D787,702 S**
Kawamura (45) **Date of Patent:** **** May 23, 2017**

(54) **TRAY FOR STERILIZATION AND DRYING OF PISTONS FOR SYRINGE**

(71) Applicant: **DAIKYO SEIKO, LTD.**, Tokyo (JP)

(72) Inventor: **Hideaki Kawamura**, Tokyo (JP)

(73) Assignee: **DAIKYO SEIKO, LTD.**, Tokyo (JP)

(**) Term: **15 Years**

(21) Appl. No.: **29/549,637**

(22) Filed: **Dec. 28, 2015**

(30) **Foreign Application Priority Data**

Jun. 30, 2015 (JP) 2015-014436

(51) **LOC (10) Cl.** **24-02**

(52) **U.S. Cl.**
USPC **D24/227**

(58) **Field of Classification Search**

USPC D24/107, 216, 217, 224-232; D7/590,
D7/600.1; 422/50, 560-562, 566, 551,
422/552, 554, 22; 206/139, 199; 211/74,
211/13.1, 60.1

CPC ... B01L 9/06; G01N 35/02; B65D 1/36; A61J
1/06; A61L 2/06

See application file for complete search history.

(56) **References Cited**

U.S. PATENT DOCUMENTS

D469,544 S * 1/2003 Lafond D24/224

D605,303 S * 12/2009 Monks D24/224

D674,507 S * 1/2013 Suzuki D24/229

(Continued)

Primary Examiner — Susan Bennett Hattan

Assistant Examiner — Rebecca Tsehaye

(74) *Attorney, Agent, or Firm* — Cermak Nakajima & McGowan LLP; Tomoko Nakajima

(57) **CLAIM**

The ornamental design for a tray for sterilization and drying of pistons for syringe, as shown and described.

DESCRIPTION

FIG. 1 is a front elevational view of a tray for sterilization and drying of pistons for syringe showing my new design;

FIG. 2 is a rear elevational view thereof;

FIG. 3 is a front perspective view thereof;

FIG. 4 is an enlarged front view of the part defined by the line 4-4 and 4'-4' of FIG. 1;

FIG. 5 is an enlarged rear elevational view of the part defined by the line 4-4 and 4'-4' of FIG. 1;

FIG. 6 is an enlarged front perspective view of the part defined by the line 4-4 and 4'-4' of FIG. 1; and

FIG. 7 is an enlarged rear perspective view of the part defined by the line 4-4 and 4'-4' of FIG. 1.

FIG. 8 is an enlarged cross-sectional view thereof taken along the line 8-8 in FIG. 4;

FIG. 9 is an enlarged cross-sectional view thereof taken along the line 9-9 in FIG. 4;

FIG. 10 is an enlarged front elevational view of the part defined by the lines 4-4 and 4'-4' of FIG. 1;

FIG. 11 is a combined sectional view thereof taken along the line 11-11'-11" in FIG. 10;

FIG. 12 is a combined sectional view thereof taken along the line 11-11'-11" in FIG. 10 showing the state of use.

FIG. 13 is a top plan view thereof;

FIG. 14 is a bottom plan view thereof;

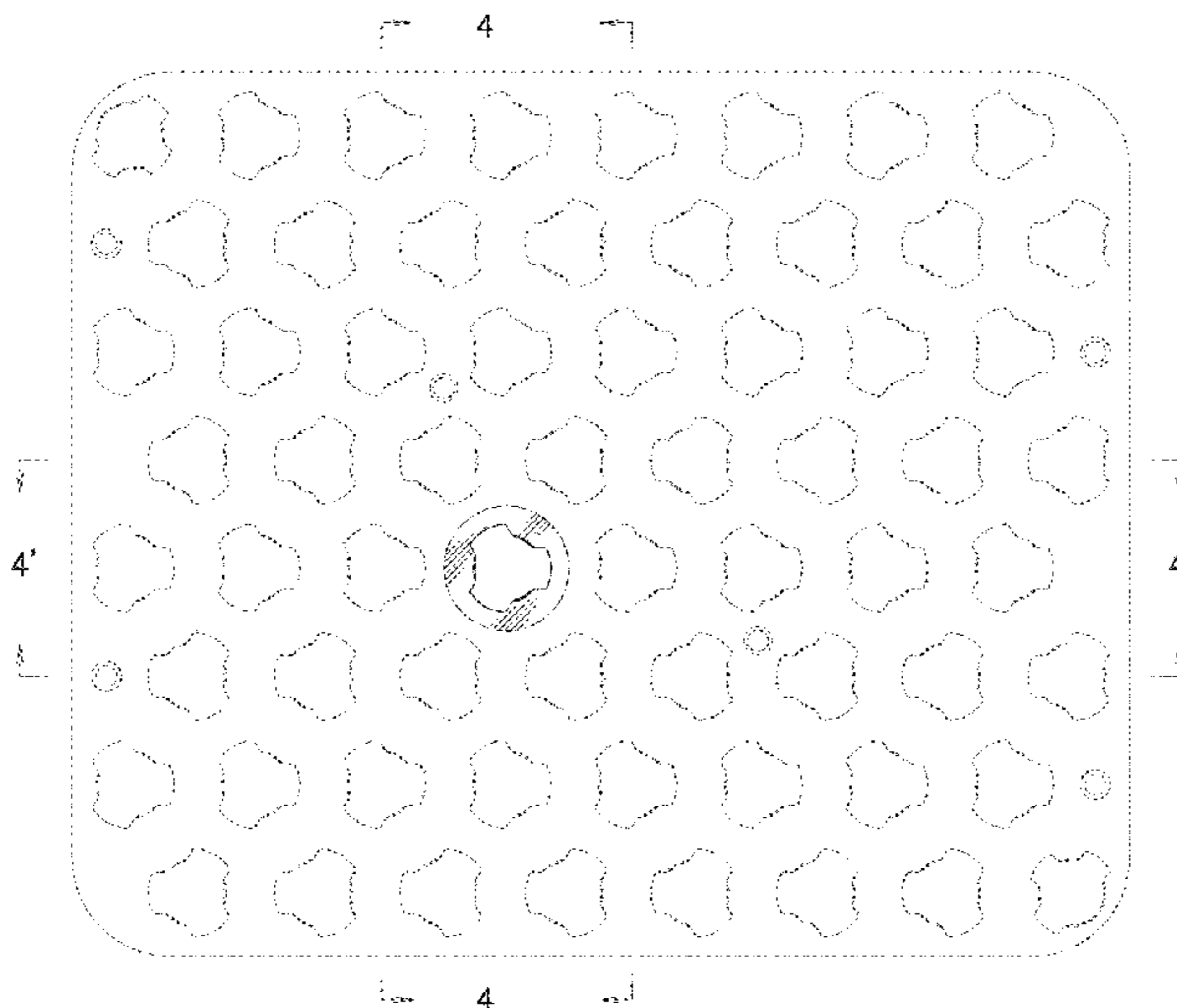
FIG. 15 is a right side view thereof; and,

FIG. 16 is a left side view thereof.

The evenly spaced broken lines in the drawings depict portions of the tray for sterilization and drying of pistons for syringe that form no part of the claimed design.

The dash-dot line represents the boundary of the claim and forms no part of the claimed design.

1 Claim, 16 Drawing Sheets



(56)

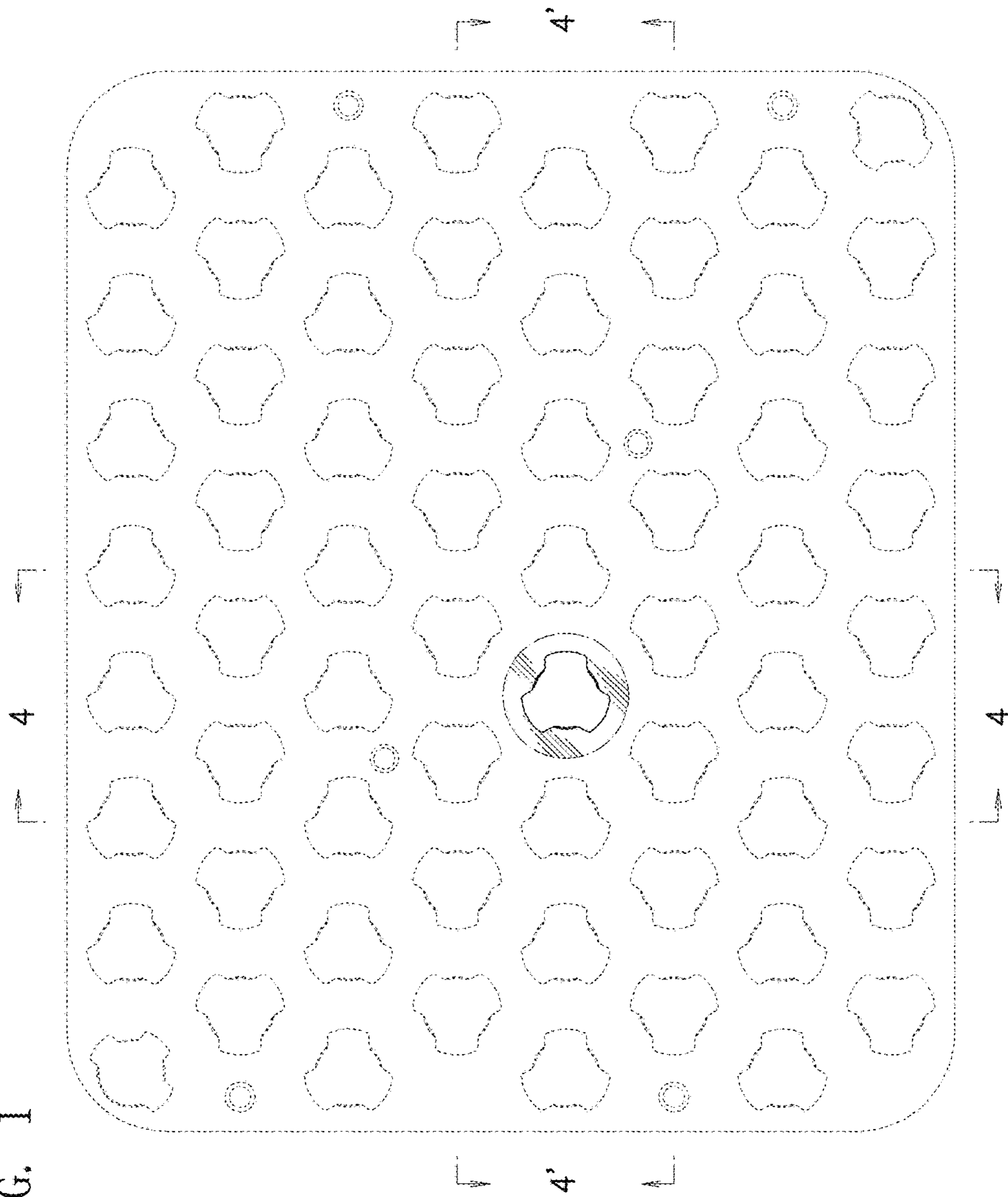
References Cited

U.S. PATENT DOCUMENTS

D675,338 S *	1/2013	Suzuki	D24/229
D684,703 S *	6/2013	Watzele	D24/224
D687,161 S *	7/2013	May	D24/224
D690,028 S	9/2013	Tsukiji	
D701,617 S	3/2014	Tsukiji	
8,808,620 B1 *	8/2014	Chu	A61L 2/04 422/22
D712,205 S *	9/2014	Yoder	D7/600.1
D745,698 S *	12/2015	Hage	D24/225
D764,679 S *	8/2016	Franciskovich	D24/224
D768,873 S *	10/2016	Stedman	D24/227

* cited by examiner

FIG. 1



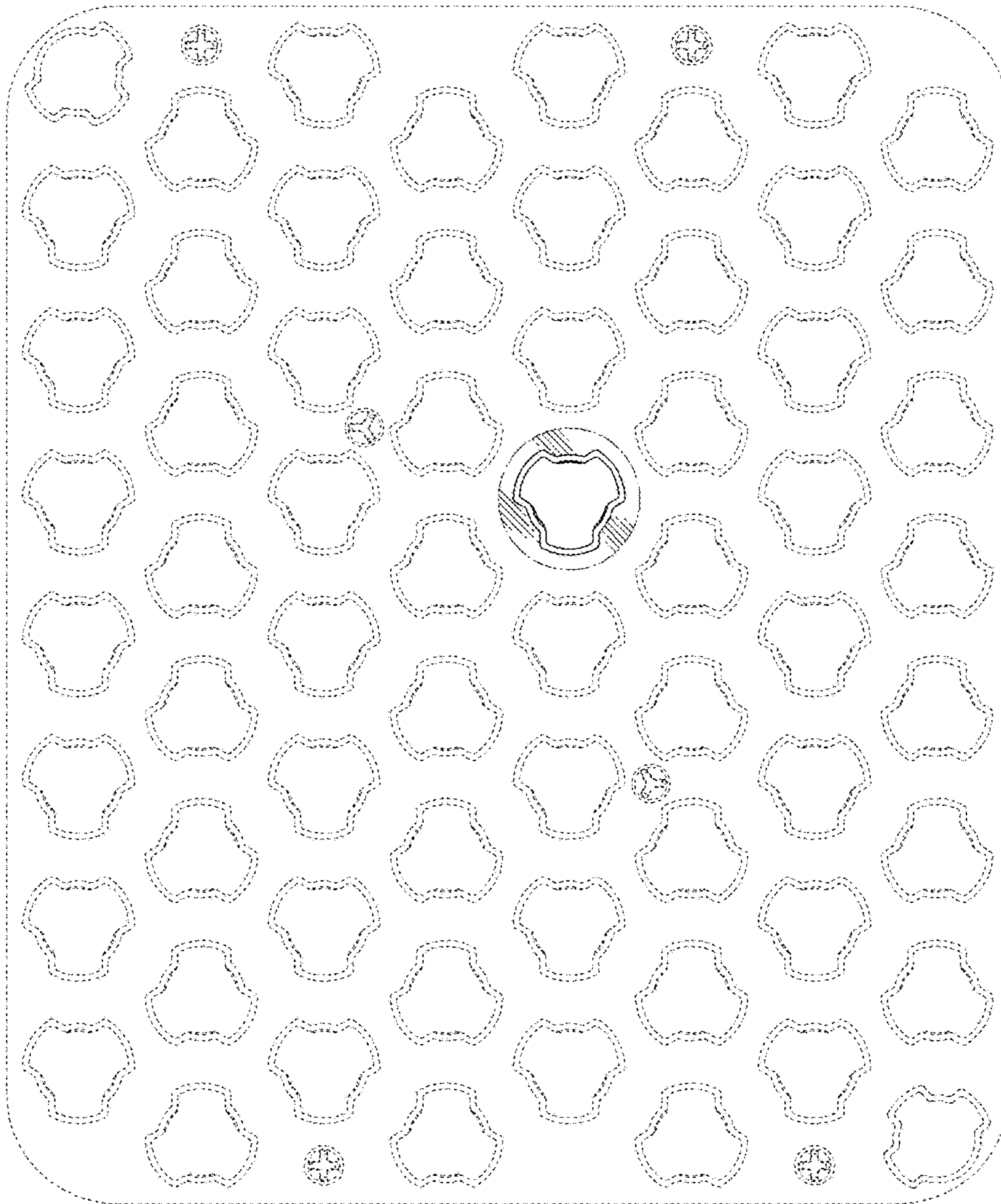
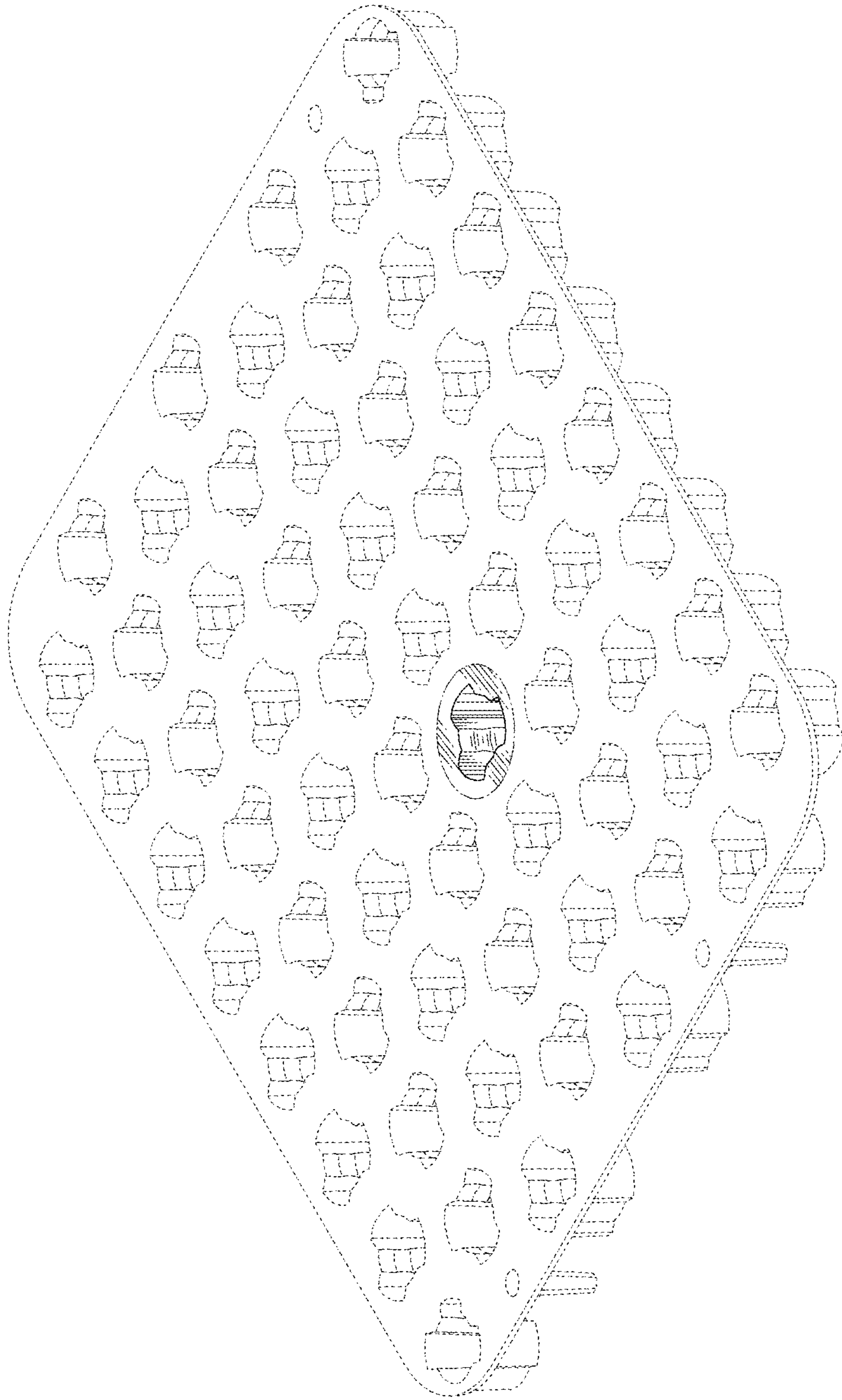


FIG. 2

FIG. 3



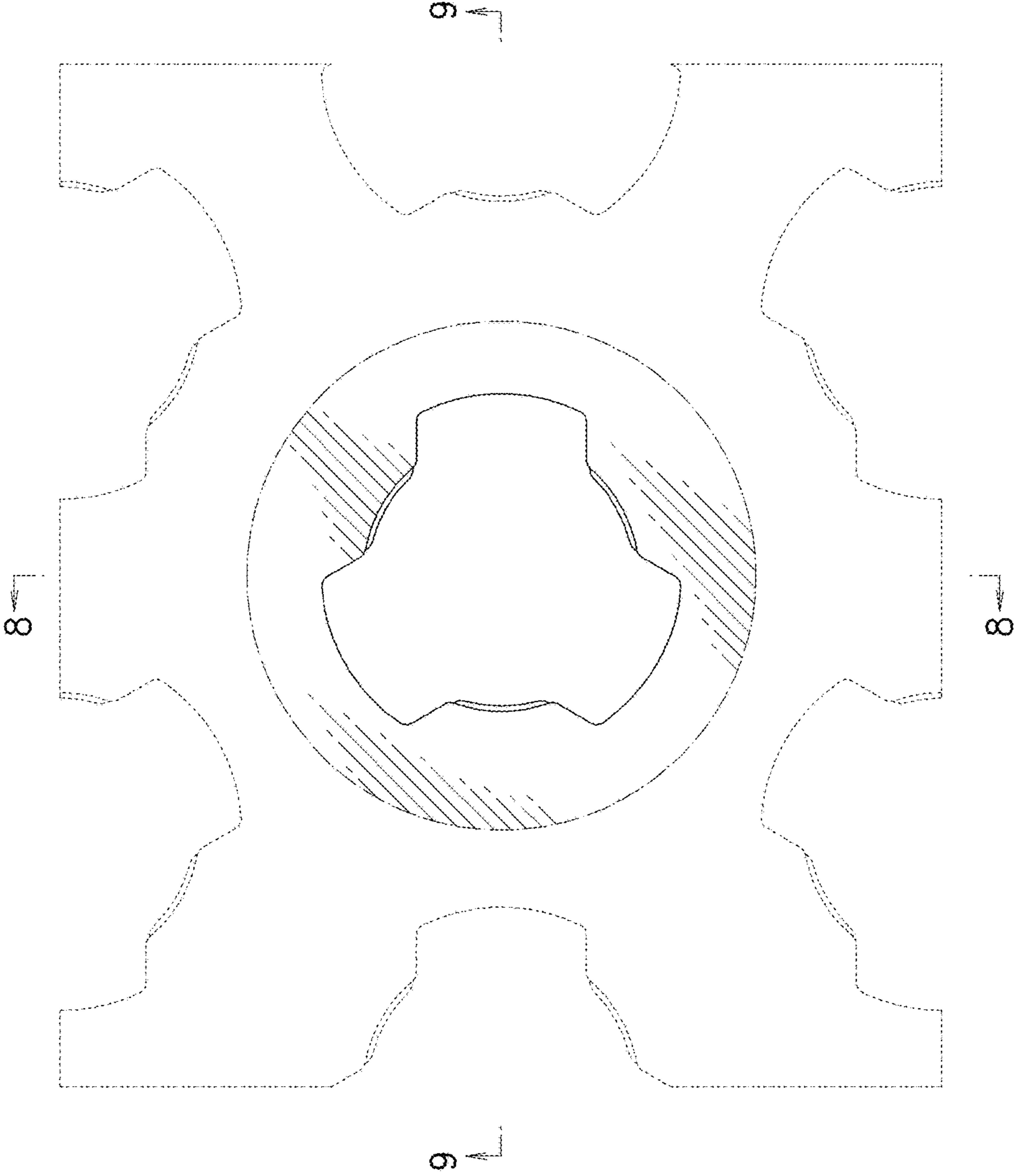


FIG. 4

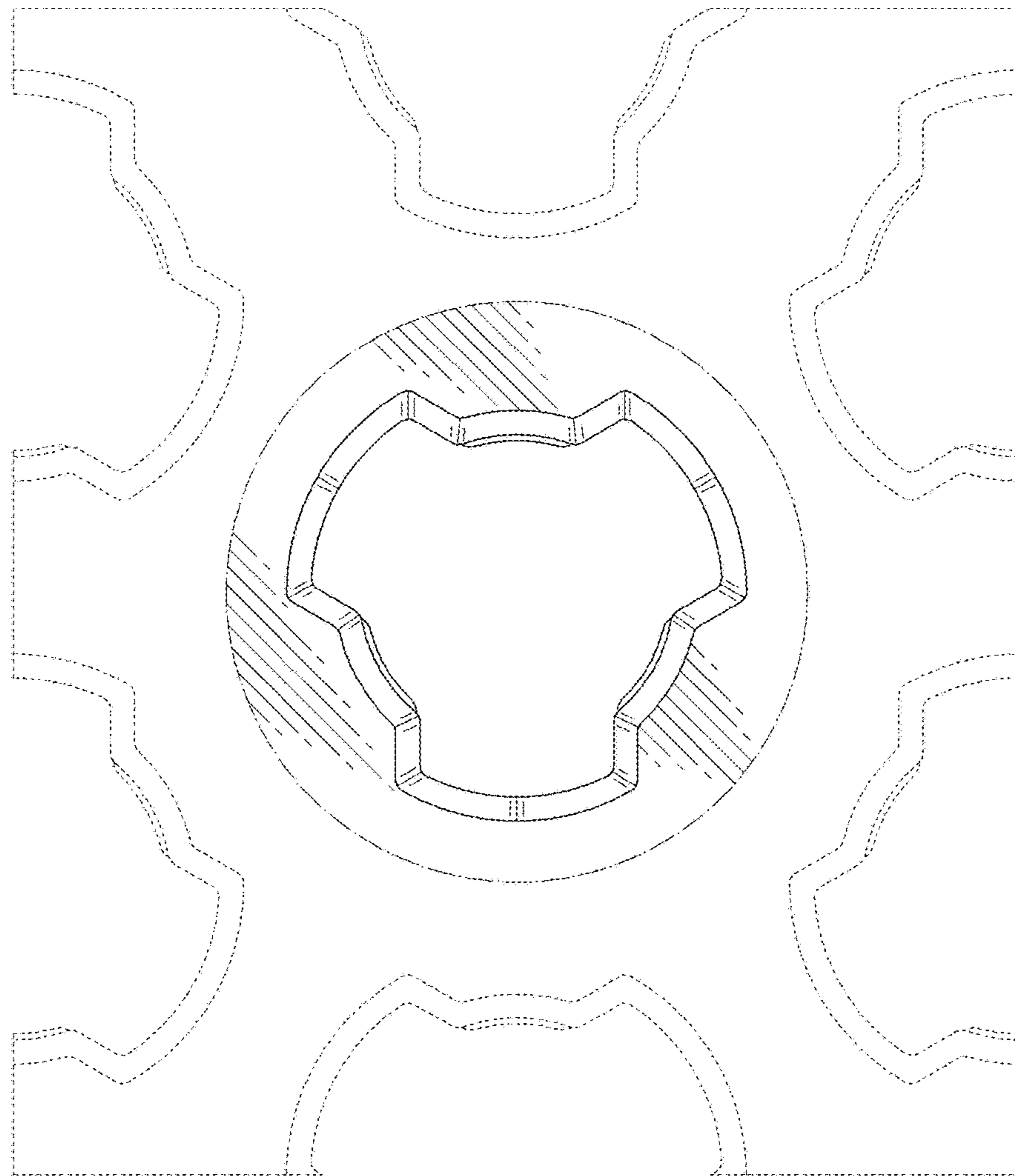


FIG. 5

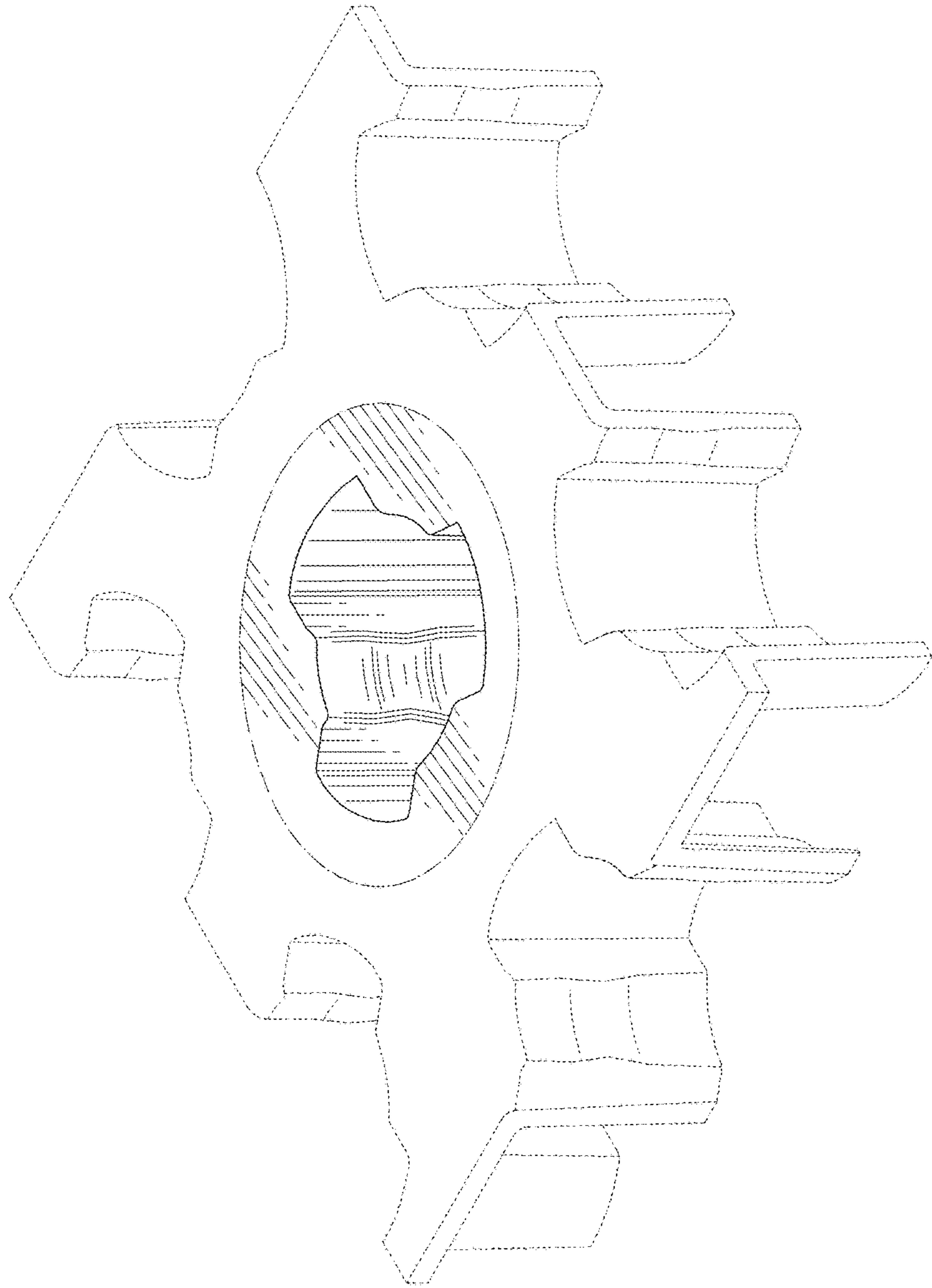


FIG. 6

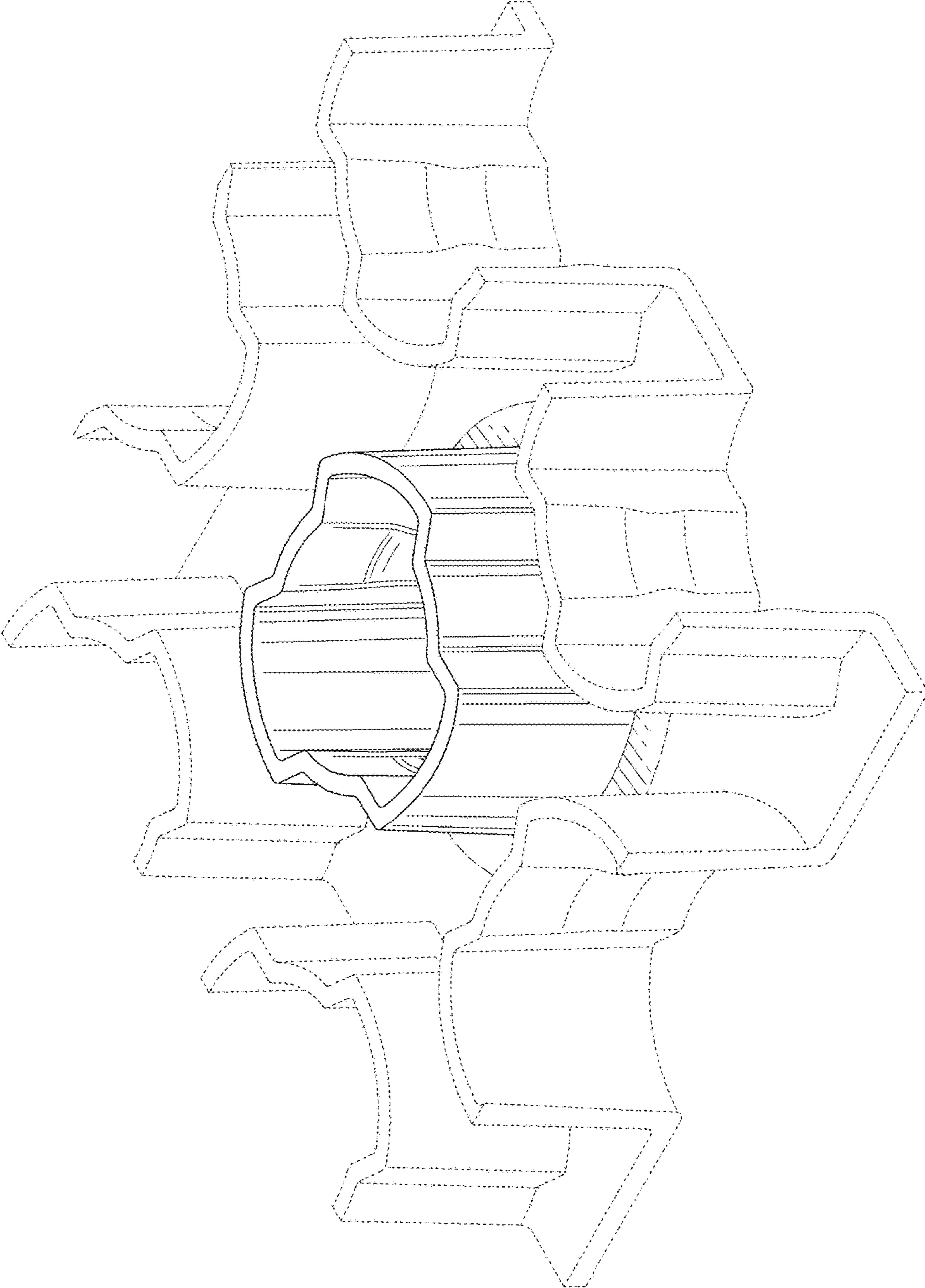


FIG. 7

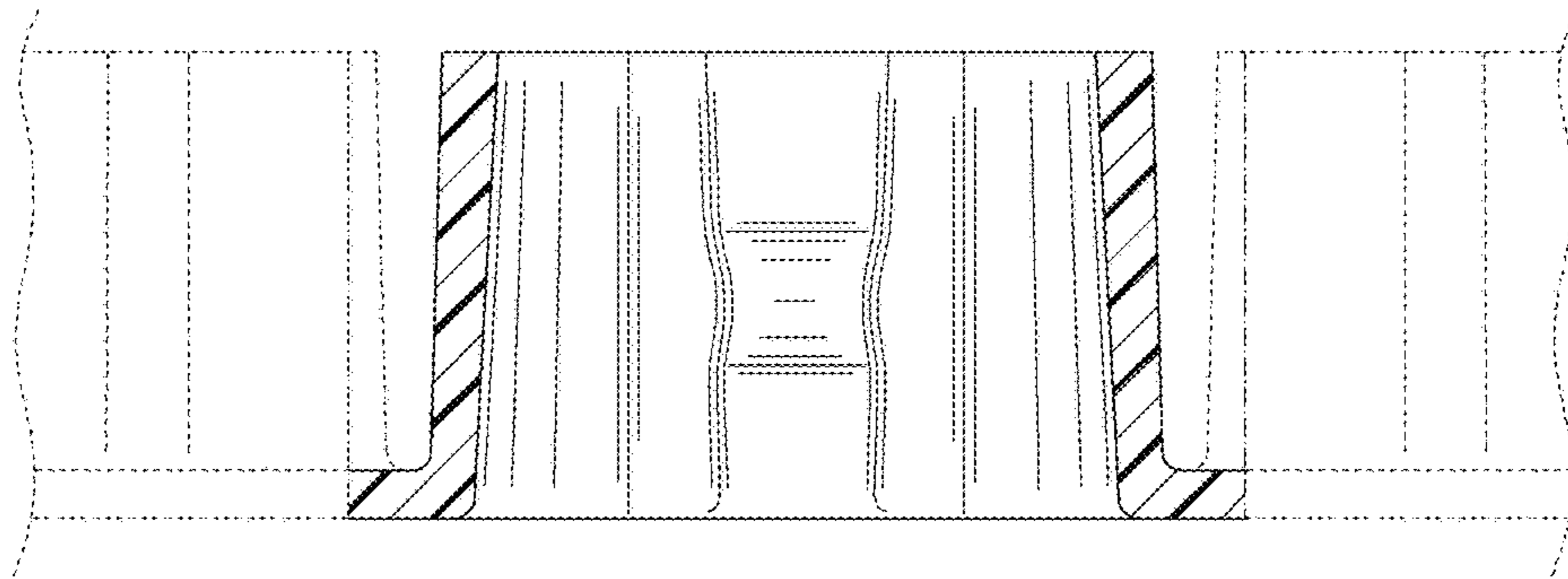


FIG. 8

FIG. 9

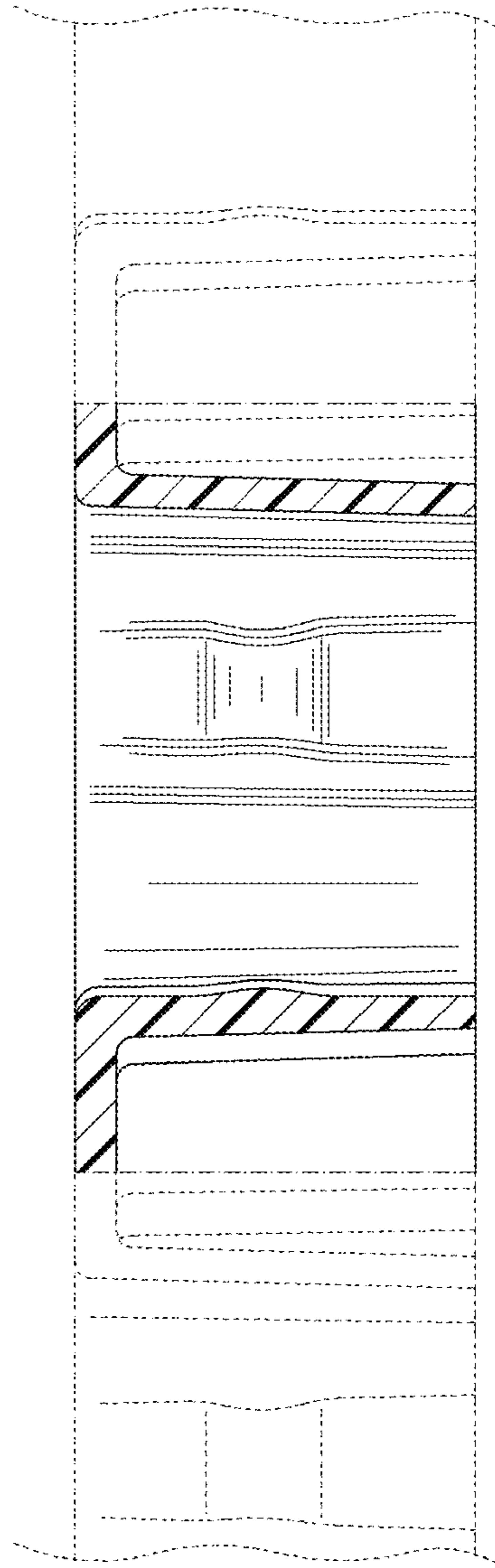


FIG. 10

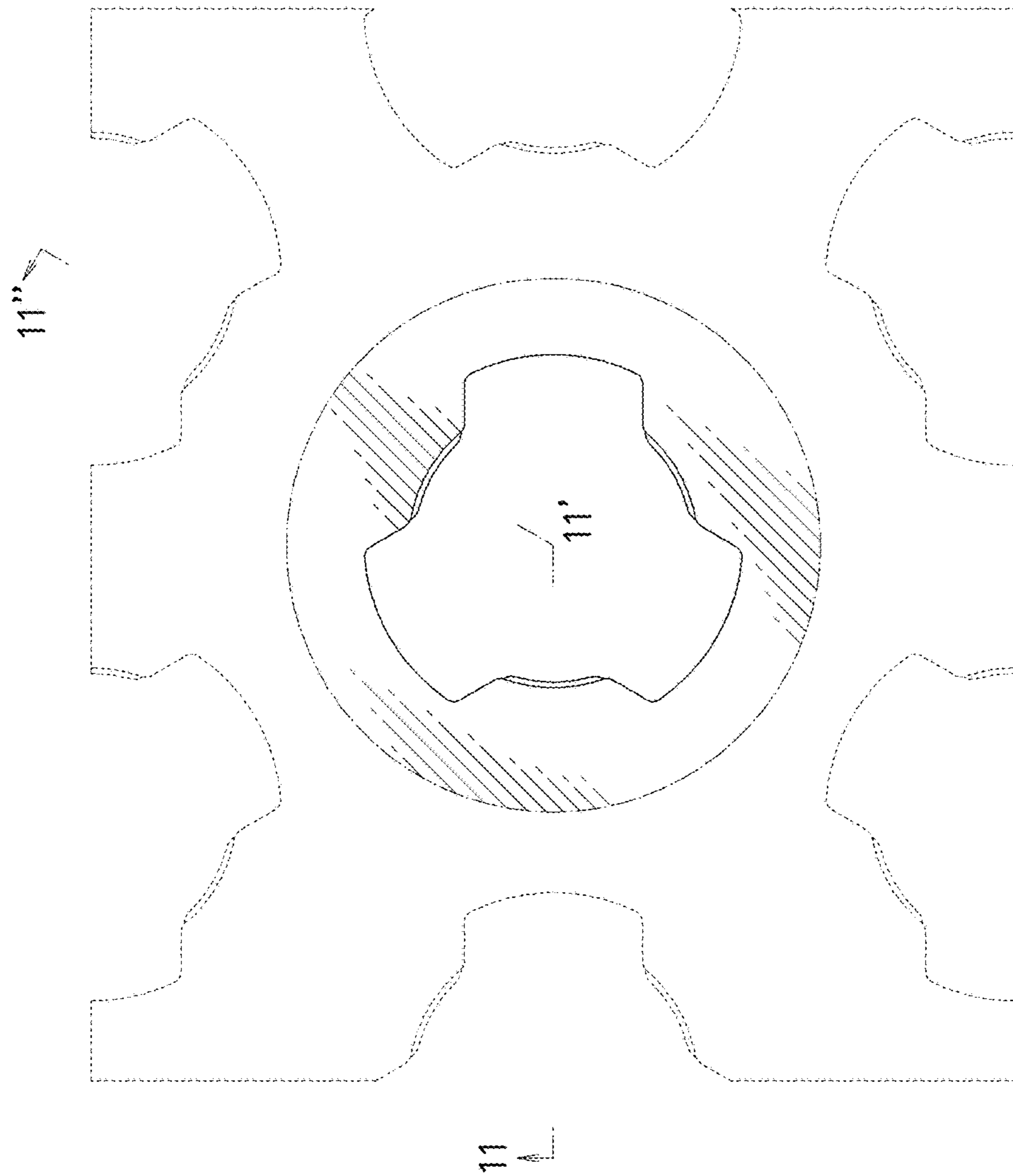


FIG. 11

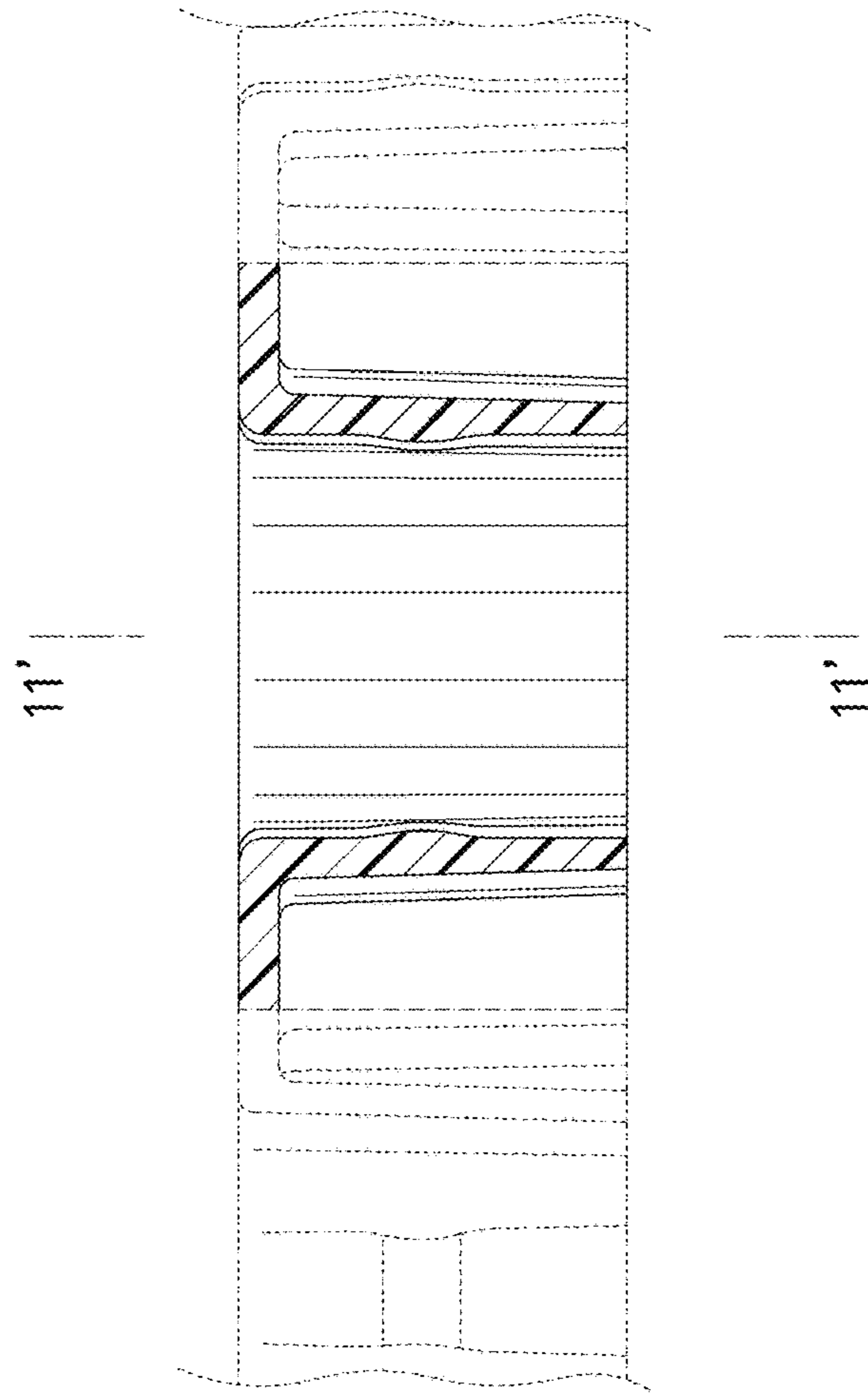


FIG. 12

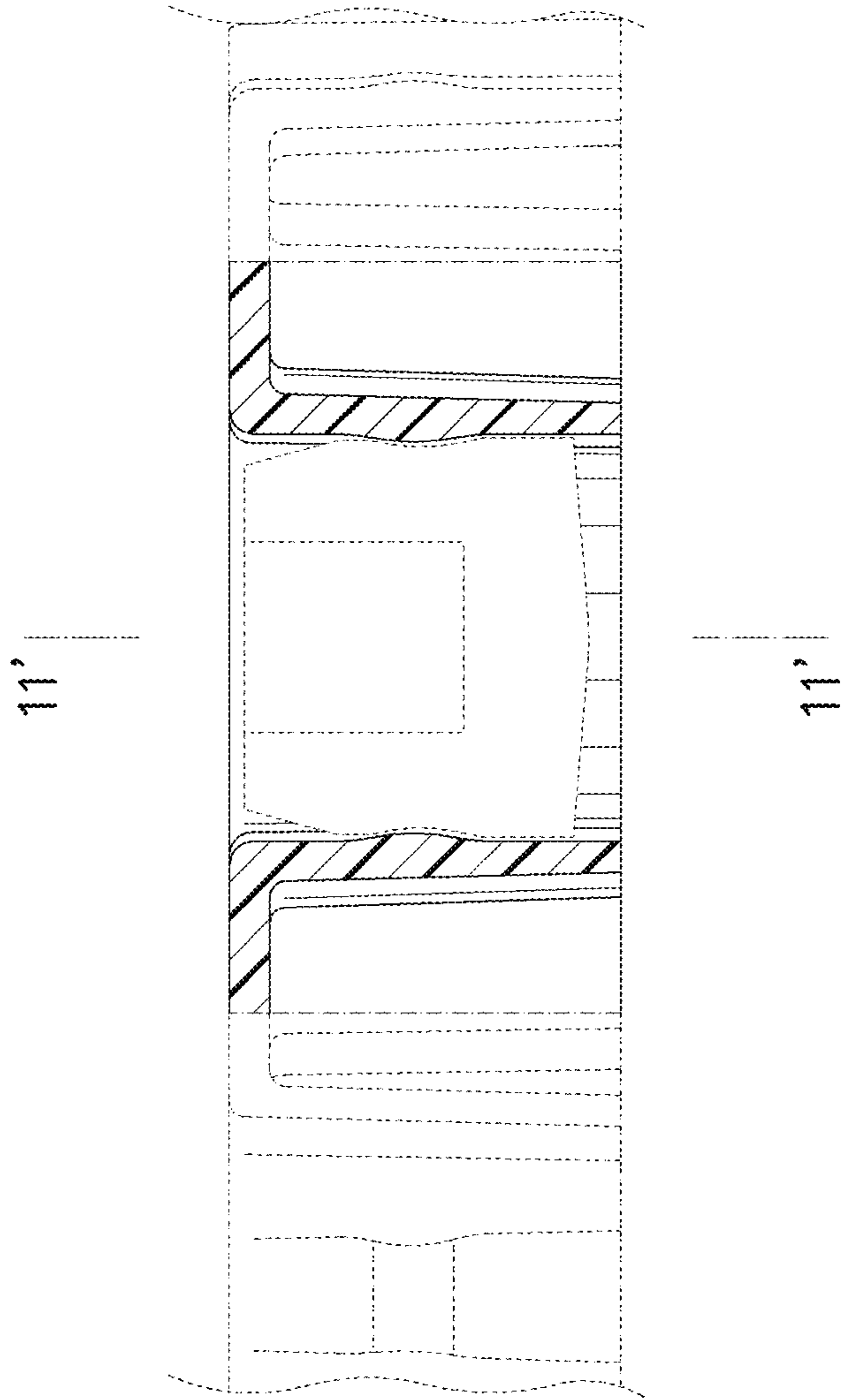


FIG. 13

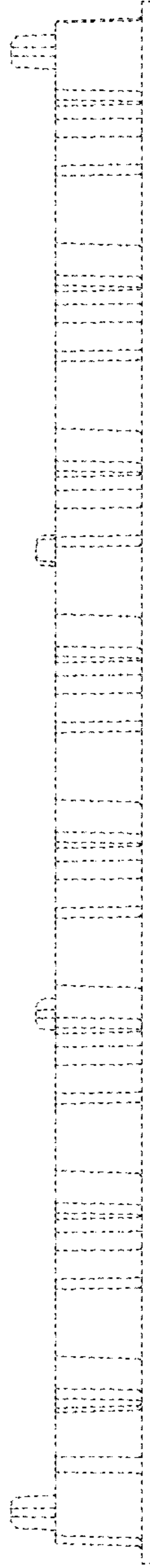
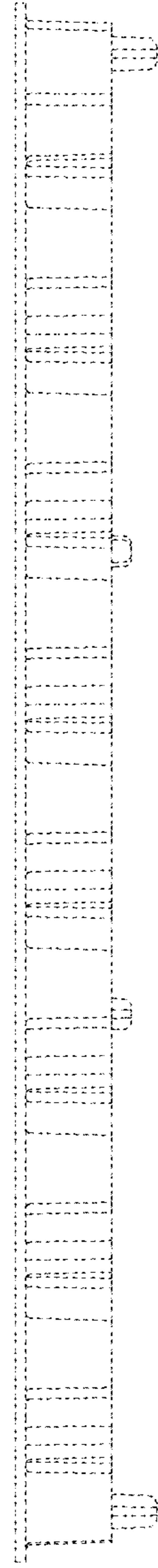


FIG. 14



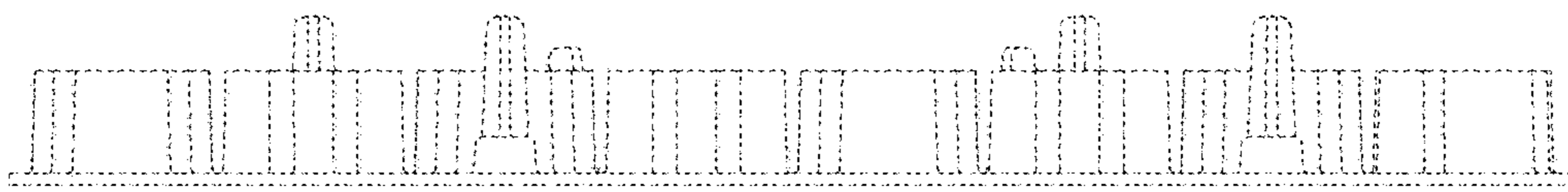


FIG. 15

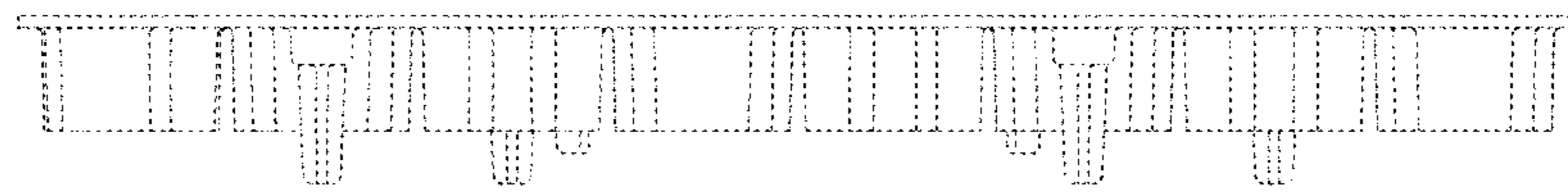


FIG. 16