



US00D787701S

(12) **United States Design Patent**  
**Wilson et al.**

(10) **Patent No.:** **US D787,701 S**  
(45) **Date of Patent:** **\*\* May 23, 2017**

(54) **FLOW CYTOMETER SYSTEM SHELF UNIT**

35/04; G01N 15/1404; G01N 15/1425;  
A47L 9/0009; A47B 81/005

See application file for complete search history.

(71) Applicant: **Intellicyt Corporation**, Albuquerque,  
NM (US)

(56) **References Cited**

(72) Inventors: **Garrett S. Wilson**, Lafayette, CO (US);  
**Braden L. Smith**, Lafayette, CO (US);  
**Michael A. Artinger**, Boulder, CO  
(US)

U.S. PATENT DOCUMENTS

D251,644 S \* 4/1979 Ravn ..... D6/571  
D257,710 S \* 12/1980 Basler ..... D24/185  
D269,121 S \* 5/1983 Pollard ..... D24/128

(Continued)

(73) Assignee: **Intellicyt Corporation**, Albuquerque,  
NM (US)

*Primary Examiner* — Ian Simmons

*Assistant Examiner* — Mark Cavanna

(74) *Attorney, Agent, or Firm* — Marsh Fischmann &  
Breyfogle LLP; Ross E. Breyfogle

(\*\*) Term: **14 Years**

(57) **CLAIM**

(21) Appl. No.: **29/485,766**

The ornamental design for a flow cytometer system shelf  
unit, as shown and described.

(22) Filed: **Mar. 21, 2014**

**DESCRIPTION**

(51) **LOC (10) Cl.** ..... **24-01**

(52) **U.S. Cl.**

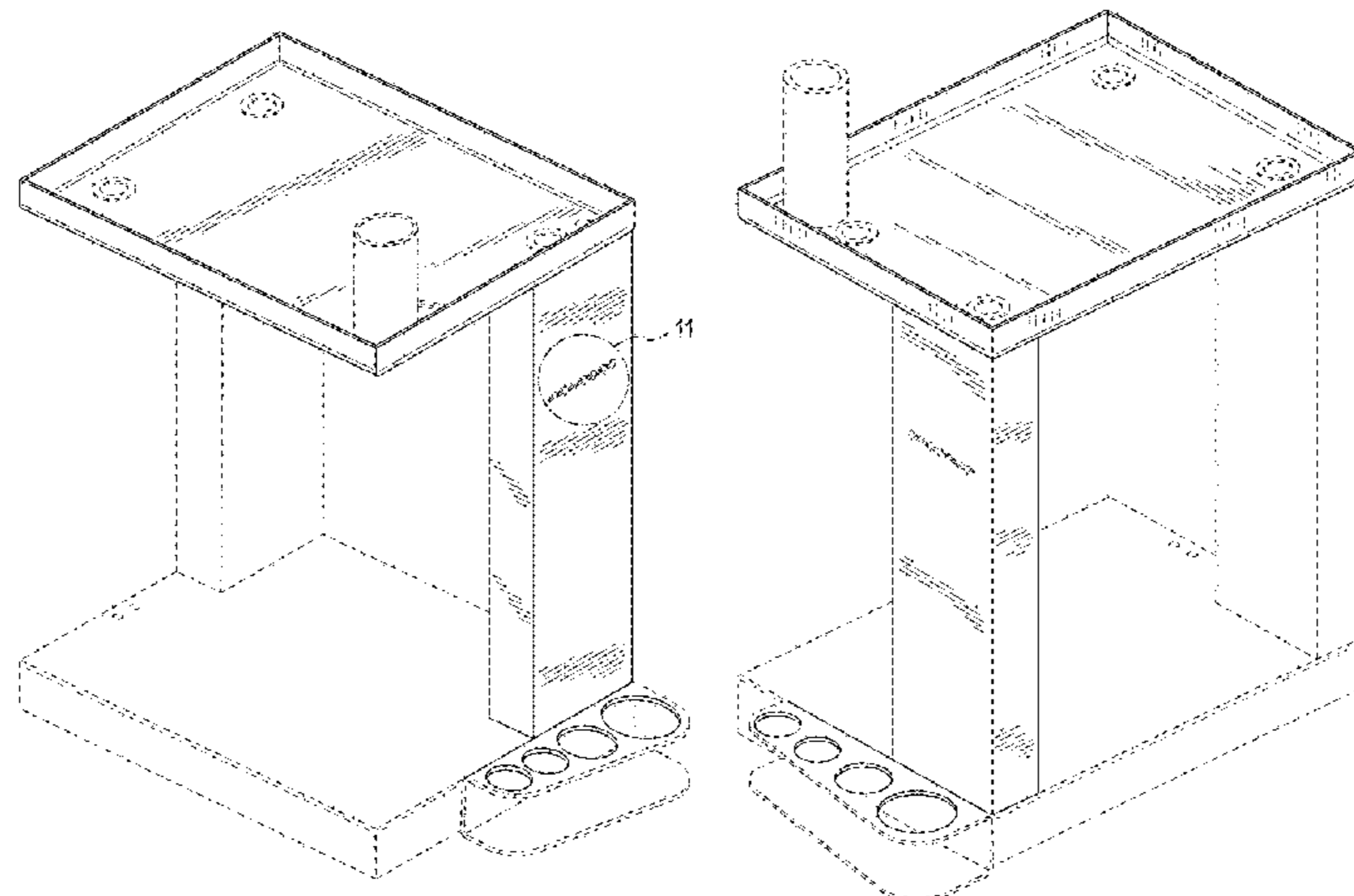
USPC ..... **D24/227**

(58) **Field of Classification Search**

USPC ..... D24/216–232, 127–128, 130, 133, 185,  
D24/177, 161, 134, 158, 164, 107;  
D3/203.1–203.8, 304, 313; 211/85.13,  
211/126.14, 70.6; D6/571, 406.1, 310,  
D6/567, 513, 574, 553, 514, 675.3;  
422/297, 401, 560–564; 206/528,  
206/538–539, 438, 485, 557; D10/81, 97;  
D12/407; 356/36; D8/354; 73/1.79,  
73/864.91; 435/287.1, 288.7; 250/435  
CPC ... A61L 2/26; B01L 9/06; B01L 3/502; B01L  
9/52; A61B 19/0256; A61B 2019/0258;  
A61B 19/026; B65D 85/42; B65D 1/34;  
B65D 75/327; G01N 15/1459; G01N

FIG. 1 is a top, front and right side perspective view of the  
flow cytometer system shelf unit;  
FIG. 2 is a top, rear and right side perspective view of the  
flow cytometer system shelf unit;  
FIG. 3 is a bottom, front and left side perspective view of the  
flow cytometer system shelf unit;  
FIG. 4 is a top, rear and left side perspective view of the flow  
cytometer system shelf unit;  
FIG. 5 is a front view of the flow cytometer system shelf  
unit;  
FIG. 6 is a rear view of the flow cytometer system shelf unit;  
FIG. 7 is a right side view of the flow cytometer system shelf  
unit;  
FIG. 8 is a left side view of the flow cytometer system shelf  
unit;  
FIG. 9 is a top view of the flow cytometer system shelf unit;  
FIG. 10 is a bottom view of the flow cytometer system shelf  
unit; and,  
FIG. 11 is an enlarged fragmented view of the flow cytom-  
eter system shelf unit as indicated by the notation in FIG. 1.

(Continued)



The broken lines in the drawings show portions of the flow cytometer system shelf unit that form no part of the claimed design.

**1 Claim, 8 Drawing Sheets**

(56)

**References Cited**

U.S. PATENT DOCUMENTS

D283,049	S *	3/1986	Pandya	.....	D24/223
D283,163	S *	3/1986	Pandya	.....	D24/230
D283,164	S *	3/1986	Pandya	.....	D24/223
D288,122	S *	2/1987	McGaha	.....	D24/177
D292,153	S *	10/1987	Delaney, Sr.	.....	D6/406.1
D298,054	S *	10/1988	Moore	.....	D24/161
D301,575	S *	6/1989	Crawford, Jr.	.....	D24/229
D331,967	S *	12/1992	Flower	.....	D6/310
D337,822	S *	7/1993	Janke	.....	D24/185
D354,874	S *	1/1995	Burch	.....	D6/567
D366,170	S *	1/1996	Temple	.....	D6/513
D392,827	S *	3/1998	Yemini	.....	D6/574
D393,543	S *	4/1998	Wilkening	.....	D3/313
D394,775	S *	6/1998	Anderson	.....	D6/574
D404,831	S *	1/1999	Yamazaki	.....	D24/224
D433,662	S *	11/2000	Fanshaw	.....	D12/407
D442,287	S *	5/2001	Pogorzelski	.....	D24/227
D442,814	S *	5/2001	Sterling	.....	D6/553
D445,185	S *	7/2001	Najmi	.....	D24/134
D486,580	S *	2/2004	Abdel-Model	.....	D24/229
D550,007	S *	9/2007	Westra	.....	D6/514
D575,972	S *	9/2008	Shiao	.....	D6/567
7,506,770	B2 *	3/2009	Rief	.....	A47L 9/0009 211/70.6

D595,423	S *	6/2009	Johansson	.....	D24/229
D598,730	S *	8/2009	Luo	.....	D8/354
D602,724	S *	10/2009	Liu	.....	D6/567
D606,202	S *	12/2009	Banryu	.....	D24/185
D609,349	S *	2/2010	Pelissier	.....	D24/186
D617,990	S *	6/2010	Liao	.....	D3/313
D628,299	S *	11/2010	Held	.....	D24/185
D650,482	S *	12/2011	Kim	.....	D24/158
D652,932	S *	1/2012	Petteway	.....	D24/164
D655,410	S *	3/2012	Chu	.....	D24/128
D674,506	S *	1/2013	Labrasca	.....	D24/227
D687,561	S *	8/2013	Iseki	.....	D24/216
D696,783	S *	12/2013	Chung	.....	D24/185
D706,558	S *	6/2014	Yates	.....	D6/675.3
D708,341	S *	7/2014	Ikegame	.....	D24/185
D725,406	S *	3/2015	Olszewski	.....	D6/567
9,033,162	B2 *	5/2015	Brotzman	.....	A61B 19/0256 211/126.14
D738,243	S *	9/2015	Selberg	.....	D10/81
D746,433	S *	12/2015	Smith	.....	D24/107
9,282,817	B2 *	3/2016	Yates	.....	A47B 81/005
D764,956	S *	8/2016	Selberg	.....	D10/97
2004/0025602	A1 *	2/2004	Norton	.....	G01N 15/1459 356/36
2010/0014947	A1 *	1/2010	Kehrer	.....	G01N 35/04 73/1.79
2011/0300618	A1 *	12/2011	Lieblein	.....	B01L 3/502 435/287.1
2013/0020498	A1 *	1/2013	Ebi	.....	G01N 15/1404 250/435
2013/0340539	A1 *	12/2013	Gaskill-Fox	.....	B01L 9/52 73/864.91
2015/0050688	A1 *	2/2015	Thrasher	.....	G01N 15/1425 435/288.7

\* cited by examiner

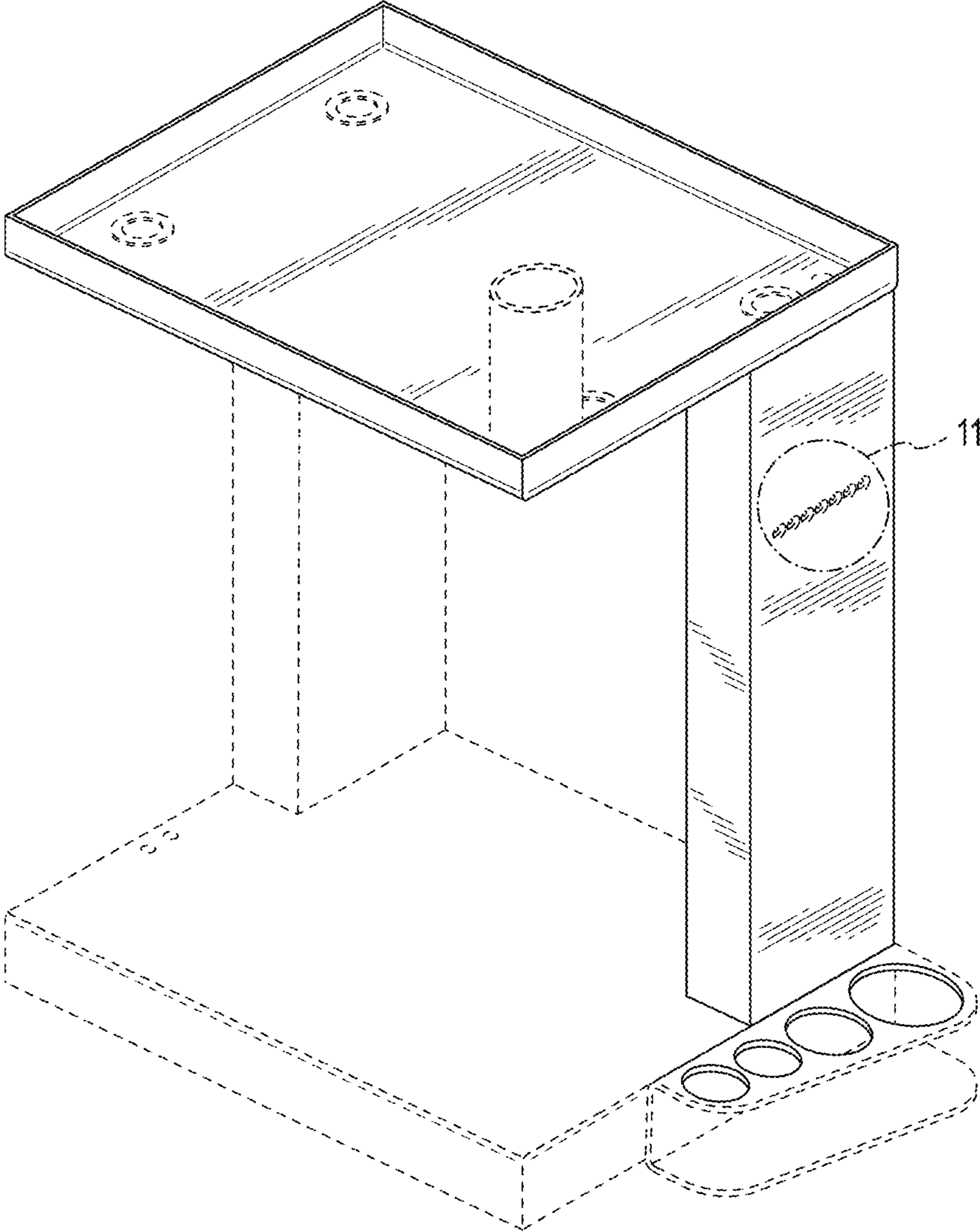


FIG.1

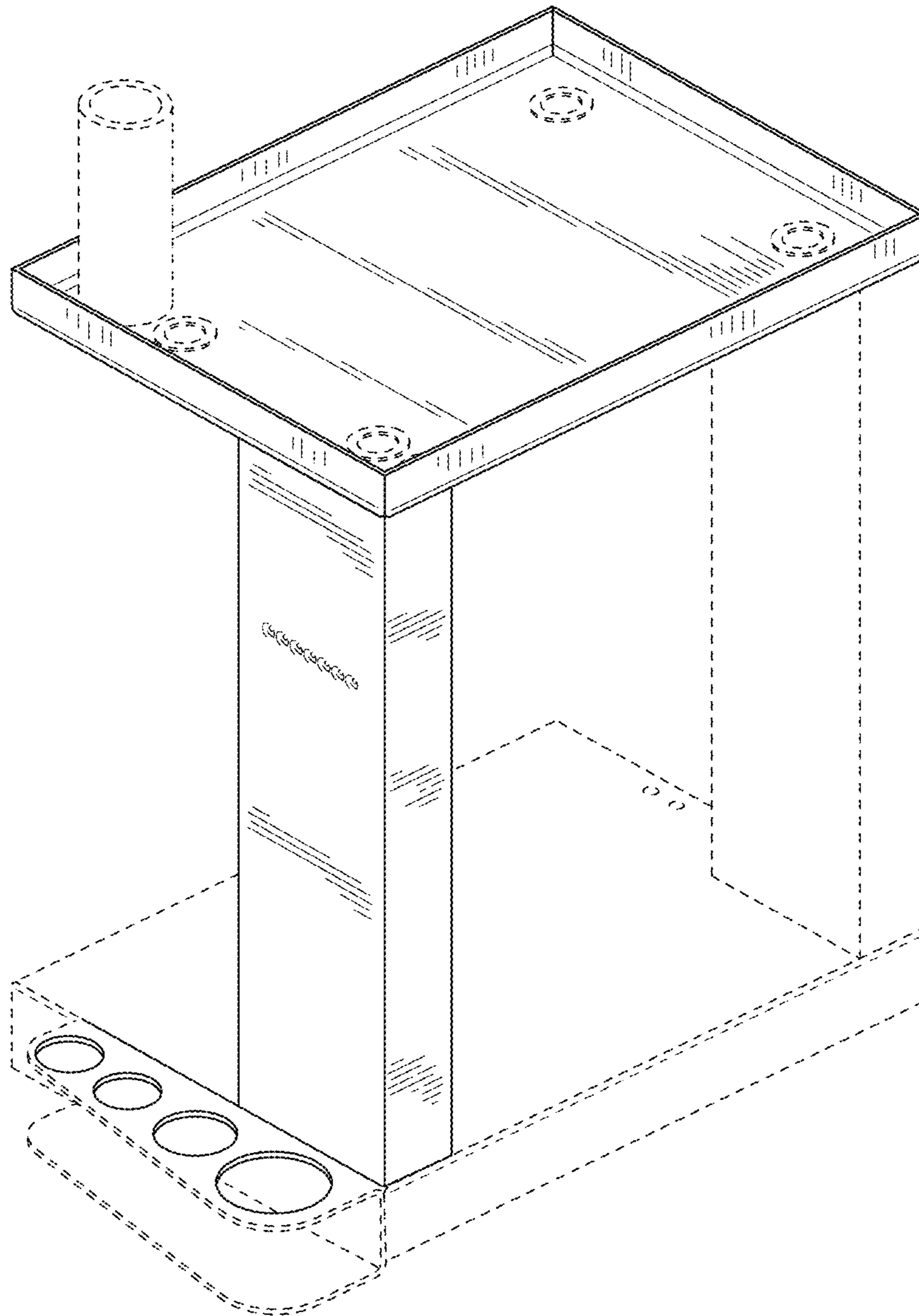


FIG.2

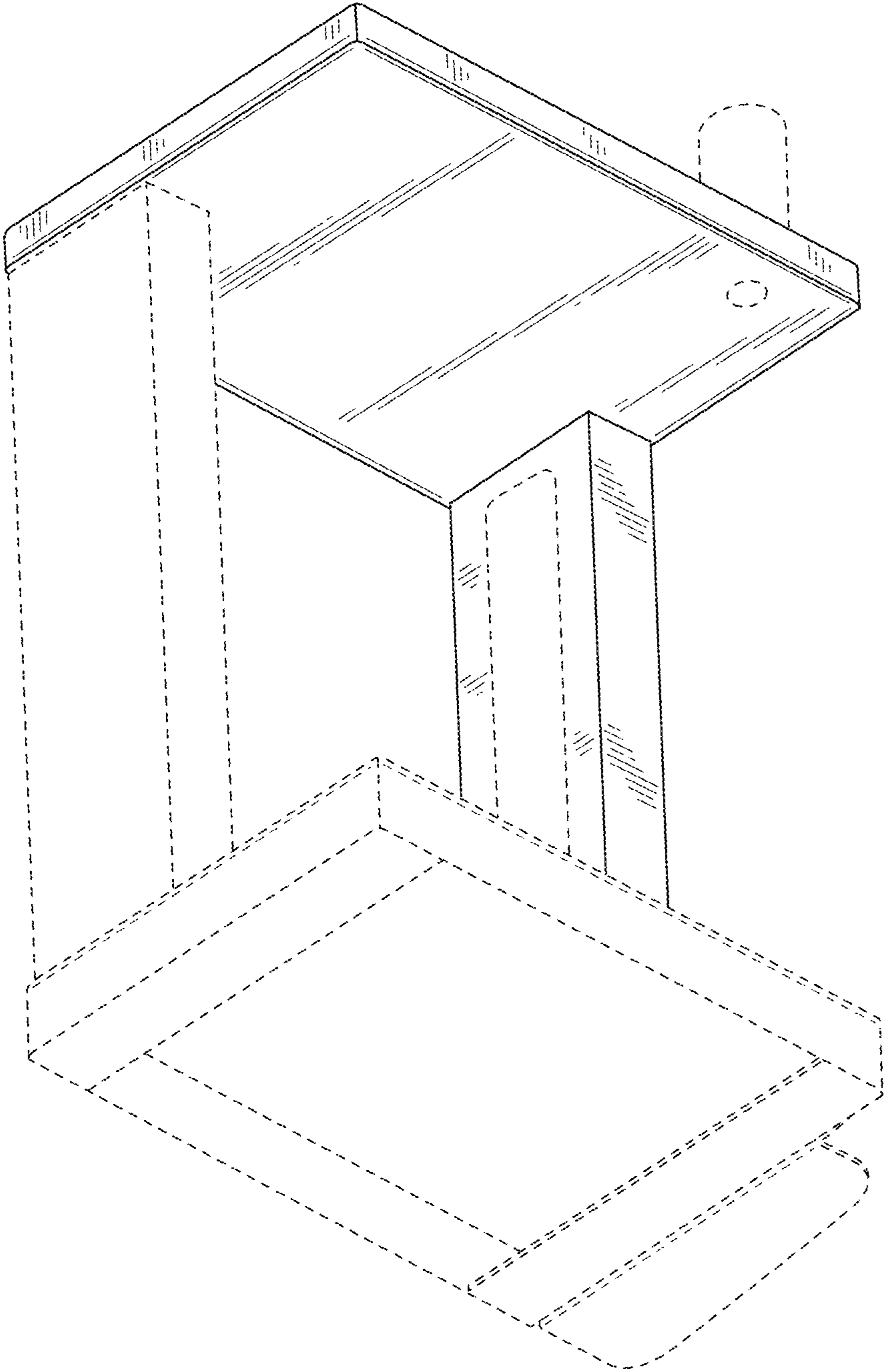


FIG.3

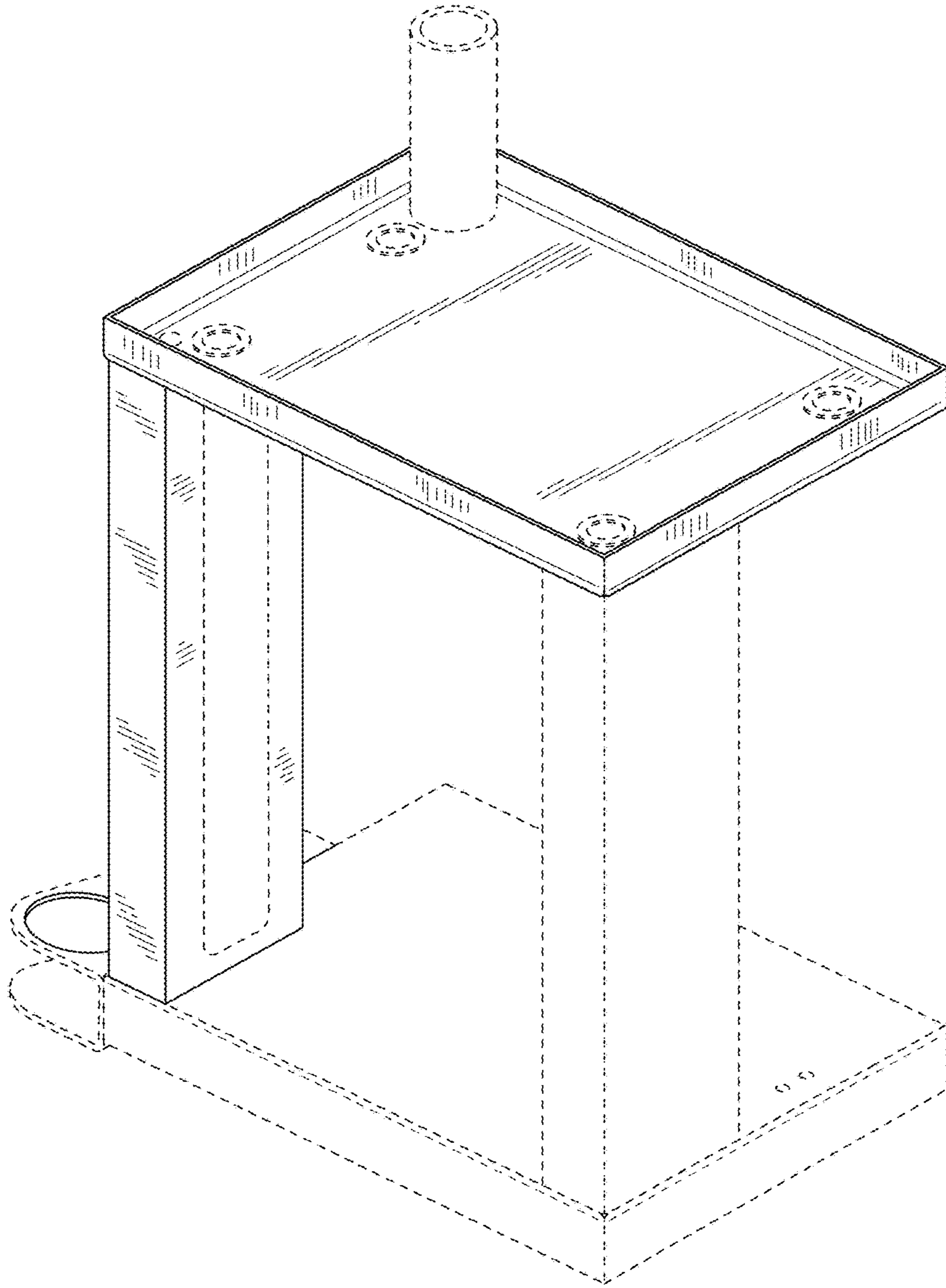


FIG.4

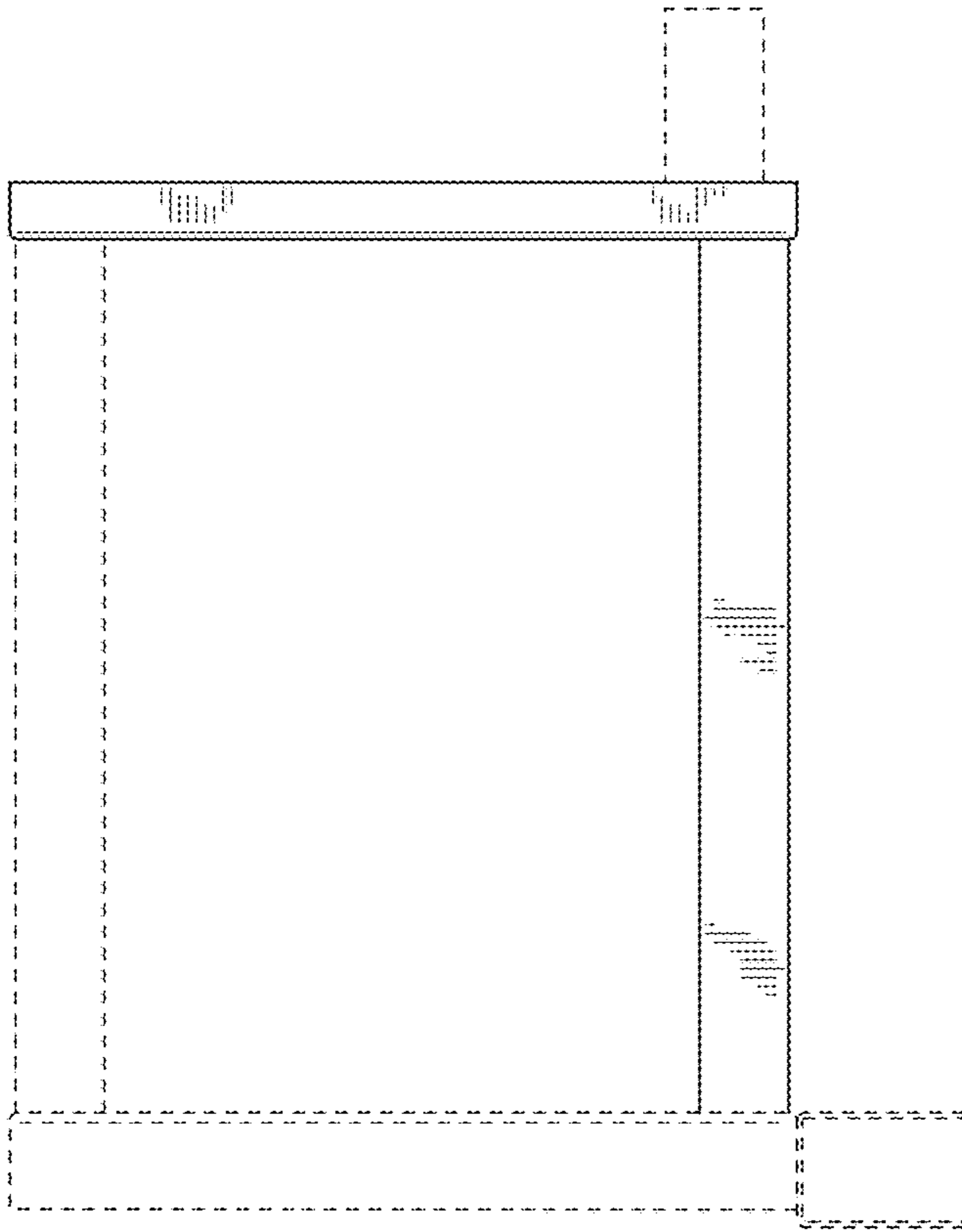


FIG.5

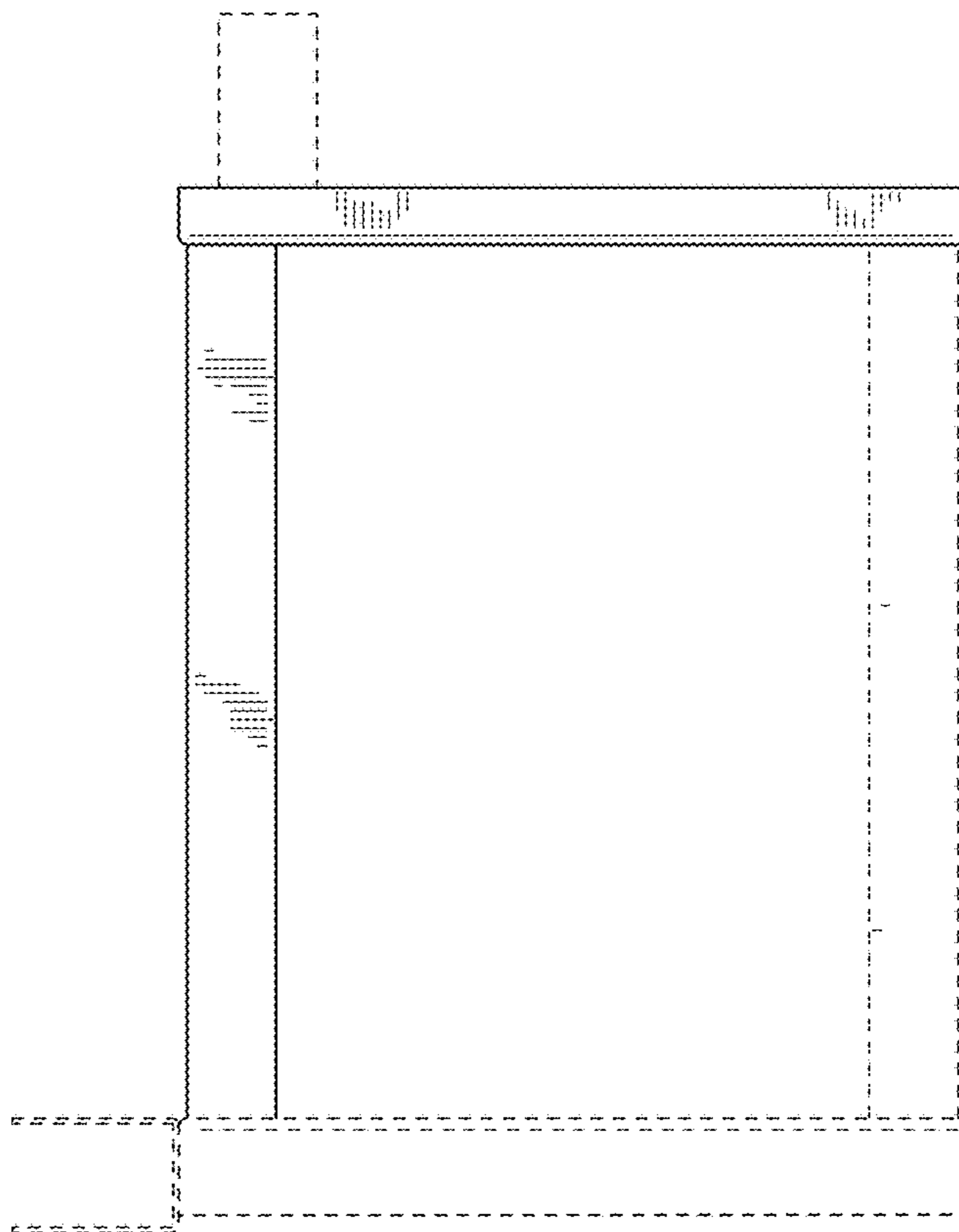


FIG.6

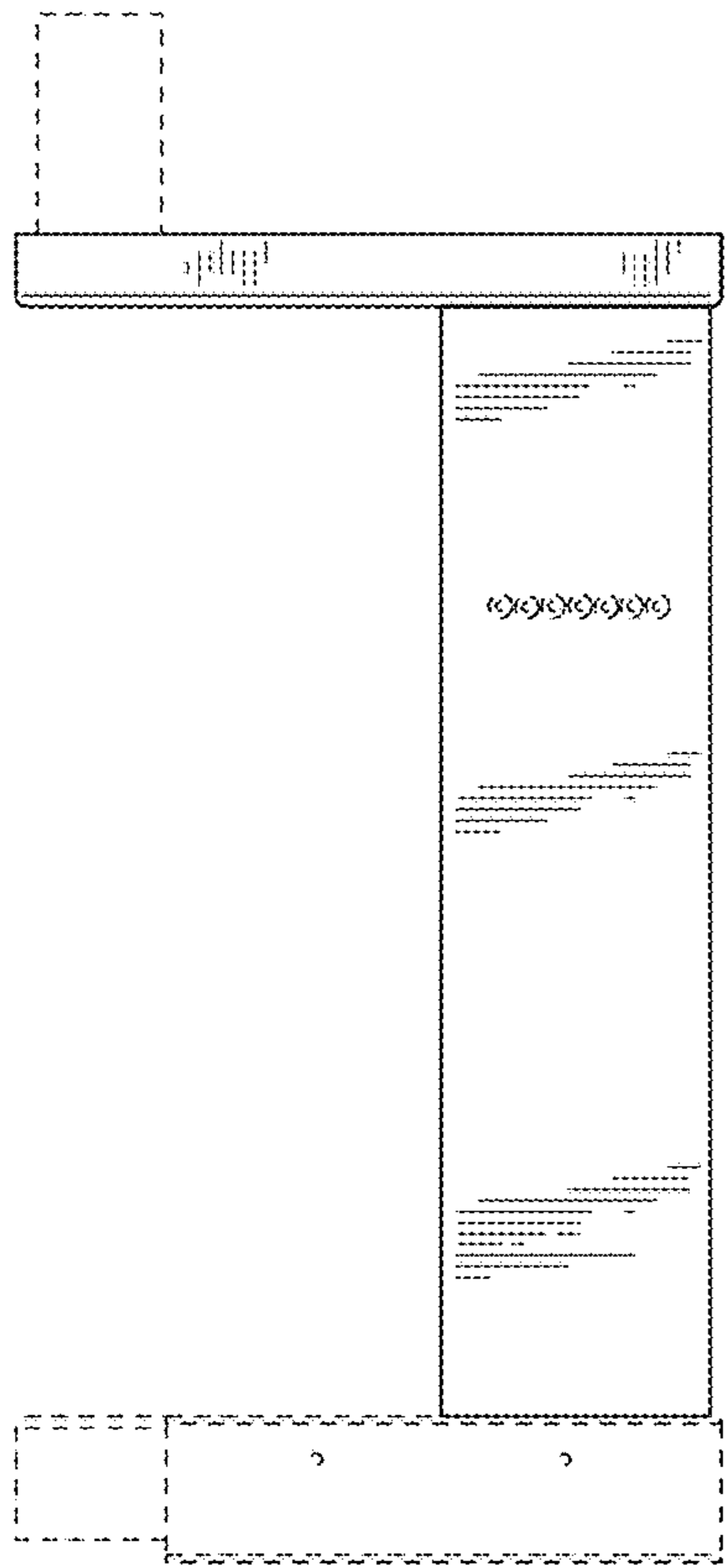


FIG. 7

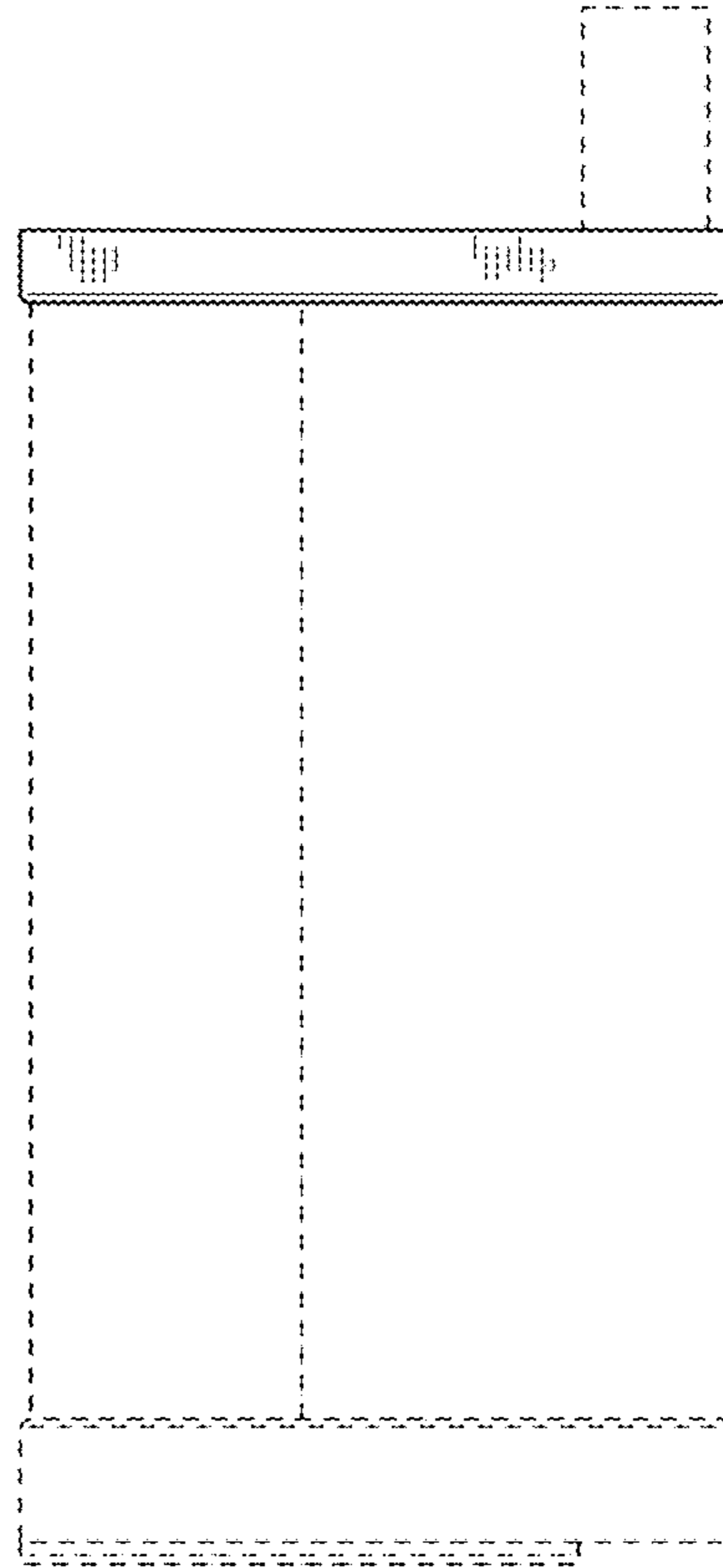


FIG. 8



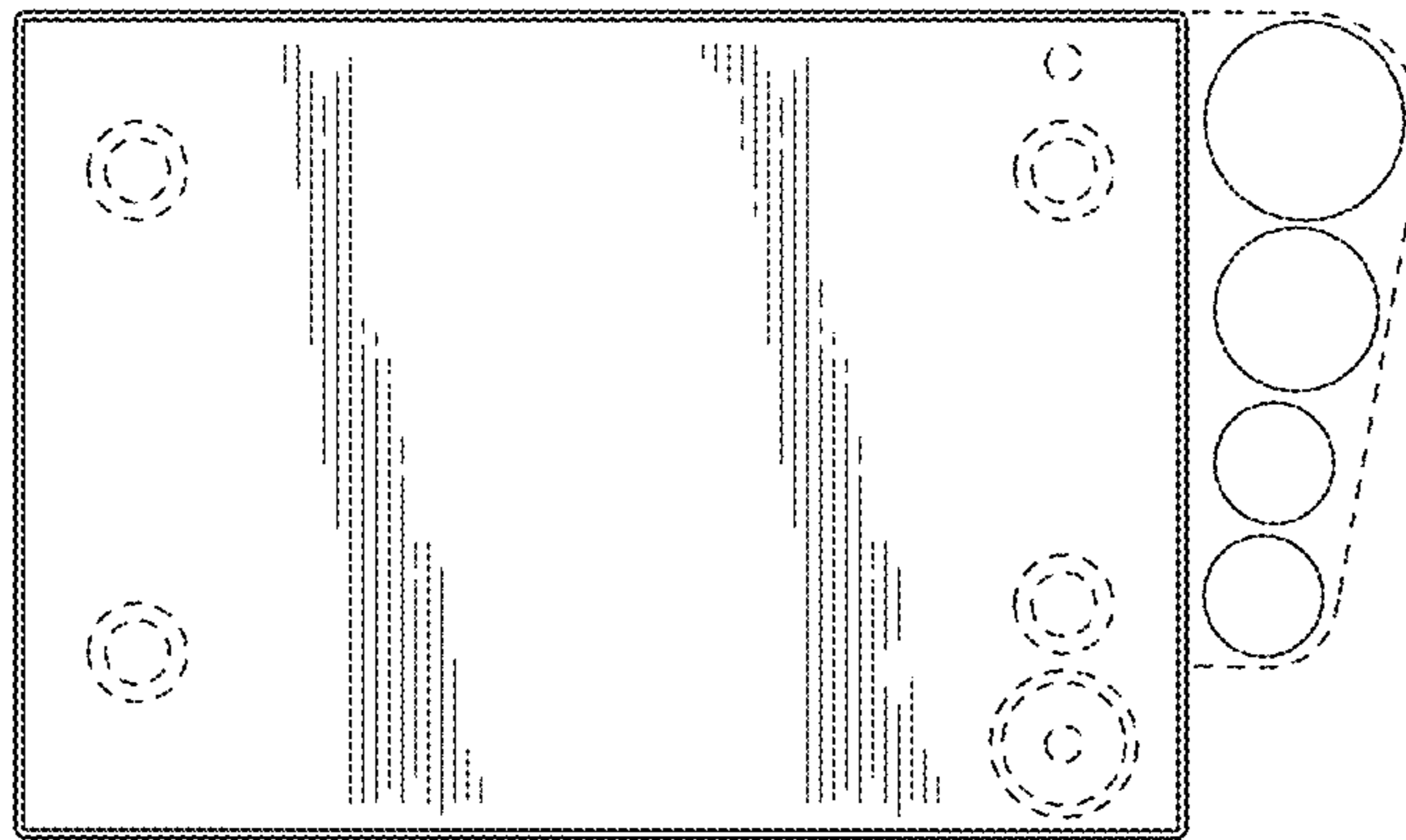


FIG. 9

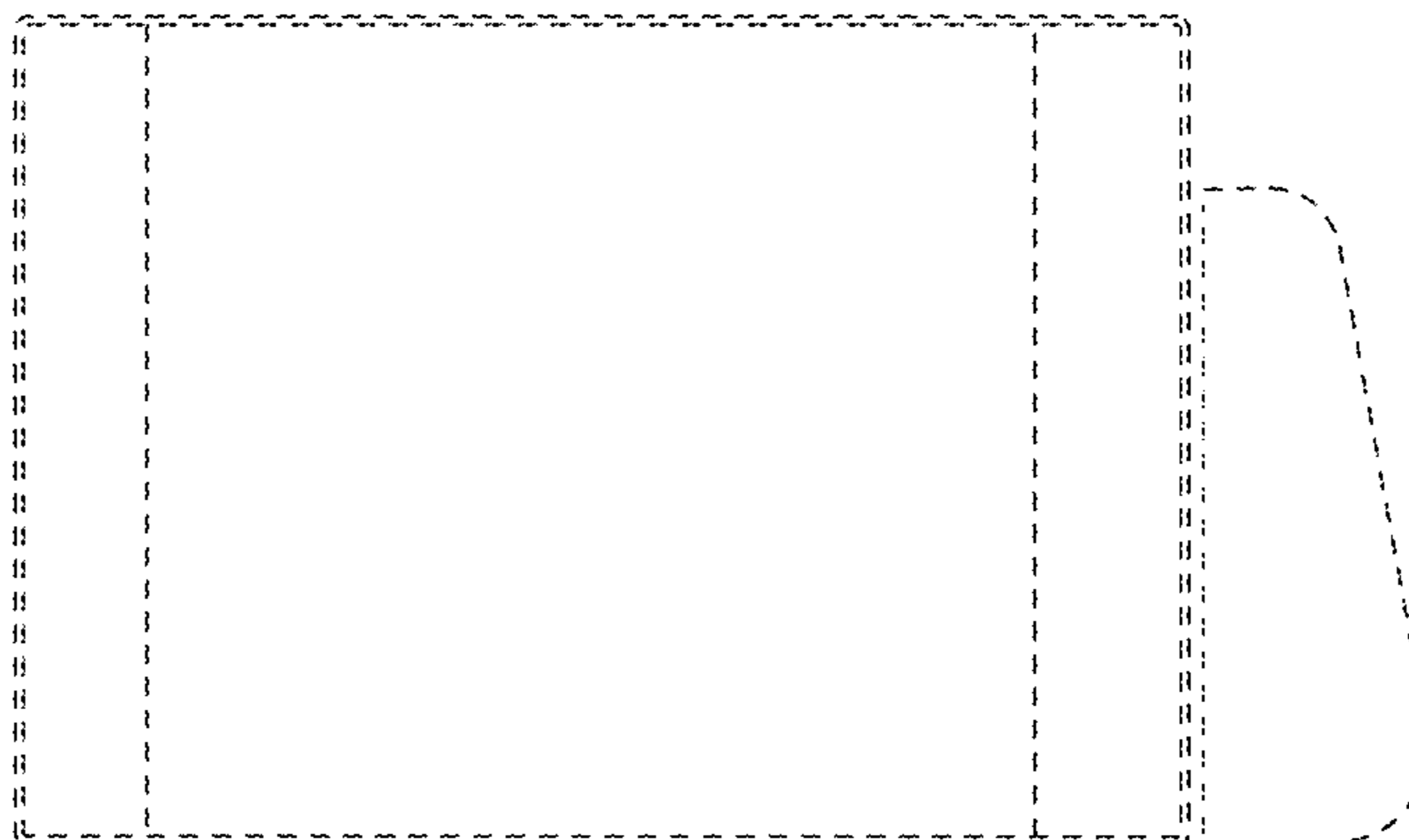


FIG. 10

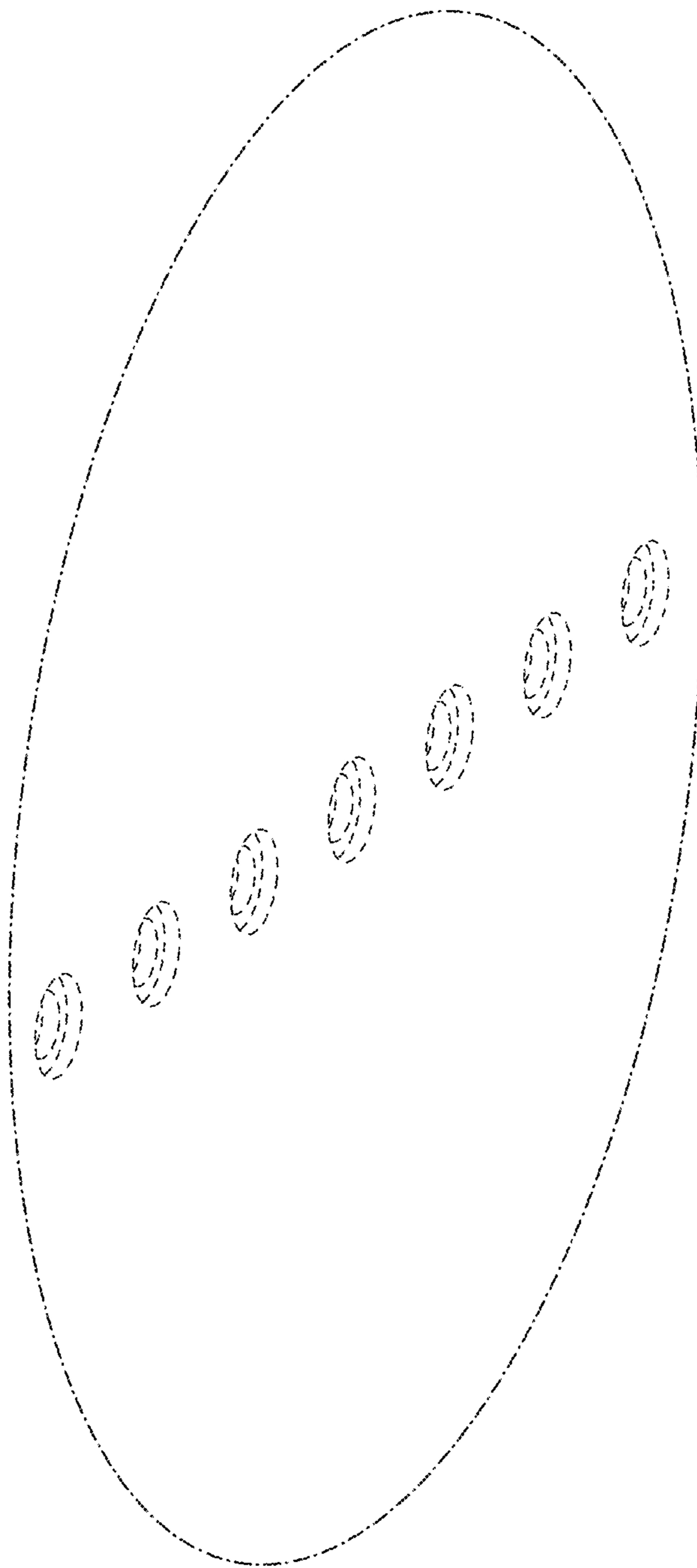


FIG.11