



US00D787699S

(12) **United States Design Patent**  
**Ohsaka et al.**

(10) **Patent No.:** **US D787,699 S**

(45) **Date of Patent:** **\*\* May 23, 2017**

(54) **CONTAINER FOR CELL OBSERVATION**

(71) Applicants: **TOKYO OHKA KOGYO CO., LTD.**,  
Kanagawa-ken (JP); **CHUGAI**  
**SEIYAKU KABUSHIKI KAISHA**,  
Tokyo (JP)

(72) Inventors: **Takashi Ohsaka**, Kanagawa-ken (JP);  
**Yasuo Suzuki**, Kanagawa-ken (JP);  
**Noriyuki Takahashi**, Shizuoka (JP);  
**Takeshi Baba**, Shizuoka (JP)

(73) Assignees: **TOKYO OHKA KOGYO CO., LTD.**,  
Kawasaki-Shi (JP); **CHUGAI**  
**SEIYAKU KABUSHIKI KAISHA**,  
Tokyo (JP)

(\*\*) Term: **15 Years**

(21) Appl. No.: **29/559,014**

(22) Filed: **Mar. 23, 2016**

(30) **Foreign Application Priority Data**

Sep. 29, 2015 (JP) ..... 2015-021391

(51) **LOC (10) Cl.** ..... **24-02**

(52) **U.S. Cl.**  
USPC ..... **D24/224**

(58) **Field of Classification Search**  
USPC ..... D24/224-230, 107, 216; D7/500, 550.1,  
D7/554.3, 554.4, 586, 587, 354; D9/434,  
D9/456, 414; 211/88.01, 88.03  
CPC ..... A61B 50/33; A61B 50/00; A61B 50/30;  
A61B 50/34; A61B 50/36; B65D 1/30;  
A61M 25/002; A47F 3/144  
See application file for complete search history.

(56) **References Cited**

**U.S. PATENT DOCUMENTS**

D237,315 S \* 10/1975 Nowakowski ..... D24/226  
3,976,195 A \* 8/1976 Cohen ..... B65D 1/30  
206/362

D261,715 S \* 11/1981 Daenen ..... D7/586  
D303,051 S \* 8/1989 Steed ..... D24/224  
D352,116 S \* 11/1994 Kienholz ..... D24/227  
D416,330 S \* 11/1999 Brown ..... D24/224  
D473,318 S \* 4/2003 Barbera-Guillem ..... D24/216  
D618,821 S \* 6/2010 Larsen ..... D24/227  
D706,073 S \* 6/2014 Beauregard ..... D7/354

(Continued)

*Primary Examiner* — Susan Bennett Hattan

*Assistant Examiner* — Rebecca Tsehaye

(74) *Attorney, Agent, or Firm* — Knobbe Martens Olson  
& Bear LLP

(57) **CLAIM**

The ornamental design for a container for cell observation,  
as shown and described.

**DESCRIPTION**

FIG. 1 is a perspective view of a container for cell obser-  
vation, showing our new design.

FIG. 2 is a front elevation view thereof. A rear elevation  
view is identical to the front elevation view.

FIG. 3 is a top plan view thereof.

FIG. 4 is a bottom plan view thereof.

FIG. 5 is a left side elevation view thereof. A right side  
elevation view is identical to the left side elevation view.

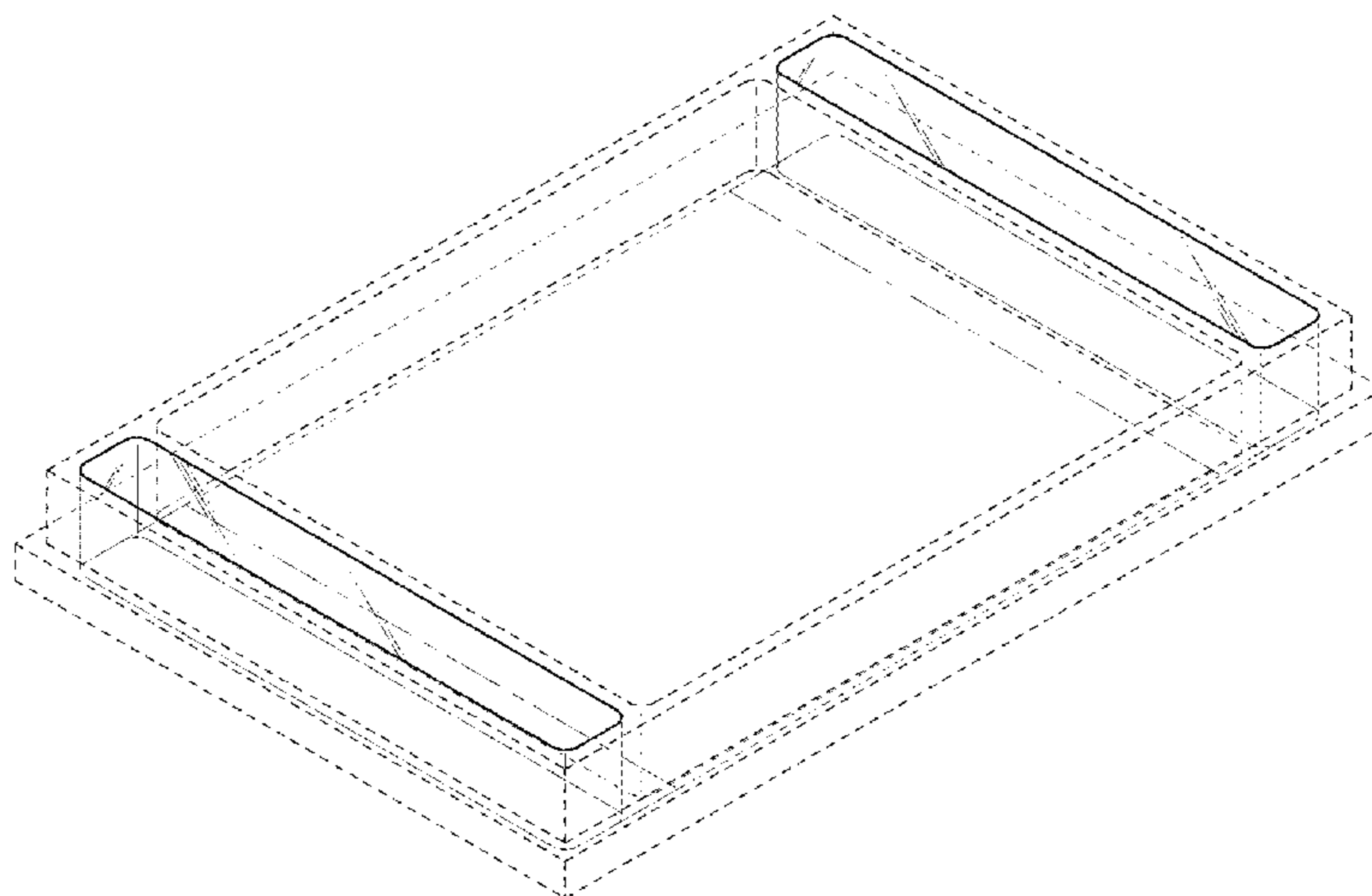
FIG. 6 is a cross-sectional view taken along the line 6-6 in  
FIG. 5.

FIG. 7 is an enlarged view of the portion circled in FIG. 6.  
FIG. 8 is a cross-sectional view taken along the line 8-8 in  
FIG. 7; and,

FIG. 9 is a top plan view taken in direction of the arrow 9  
in FIG. 7.

The broken lines shown in the drawings illustrate portions of  
the container for cell observation that form no part of the  
claimed design. The dot-dash lines show an unclaimed  
boundary which forms no part of the claimed design.

**1 Claim, 9 Drawing Sheets**



(56)

**References Cited**

U.S. PATENT DOCUMENTS

9,283,352 B2 \* 3/2016 Tomes ..... A61M 25/002  
D758,191 S \* 6/2016 Tu ..... D9/414  
9,386,865 B2 \* 7/2016 Bally ..... A47F 3/14

\* cited by examiner

FIG. 1

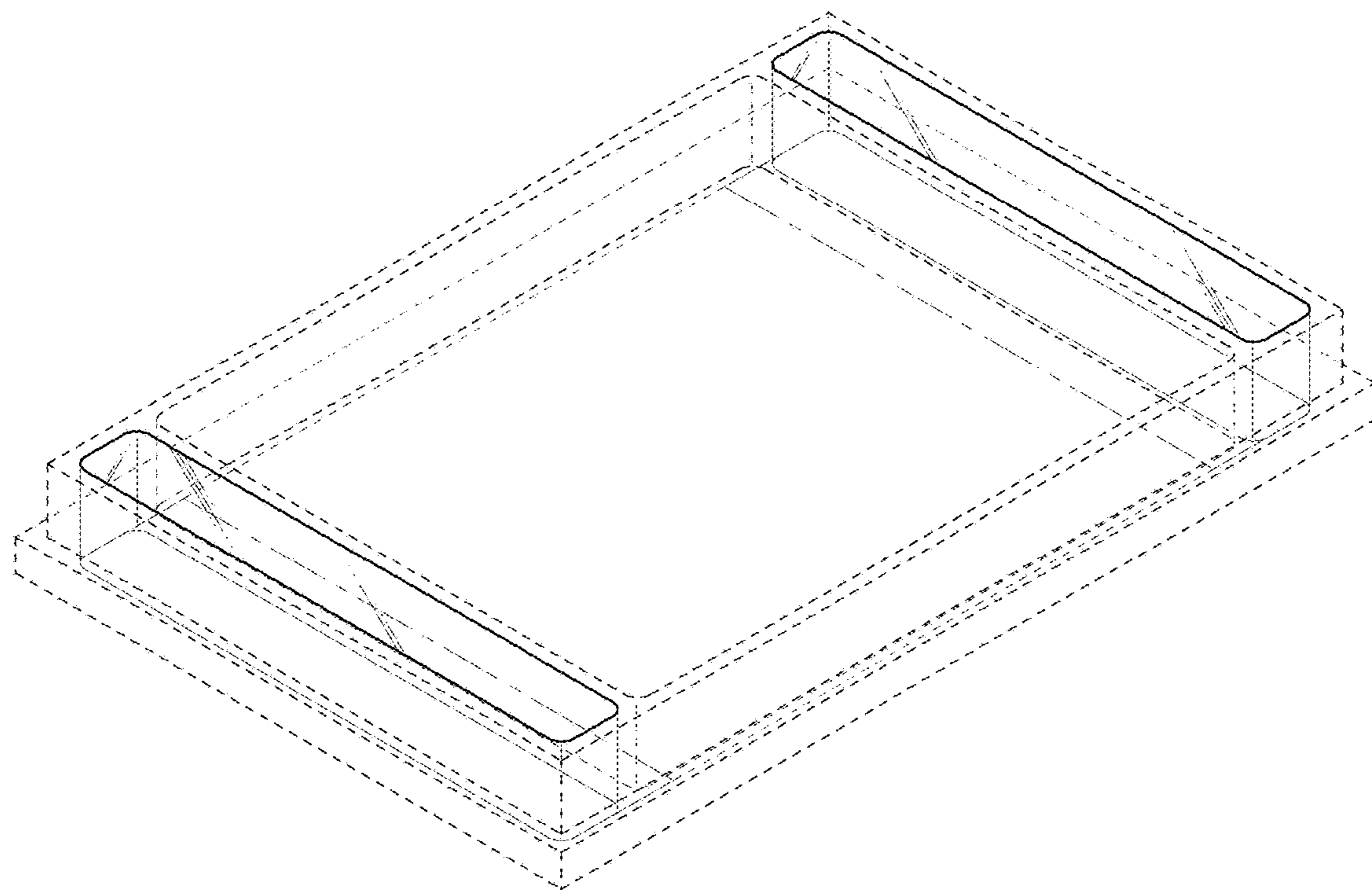


FIG. 2

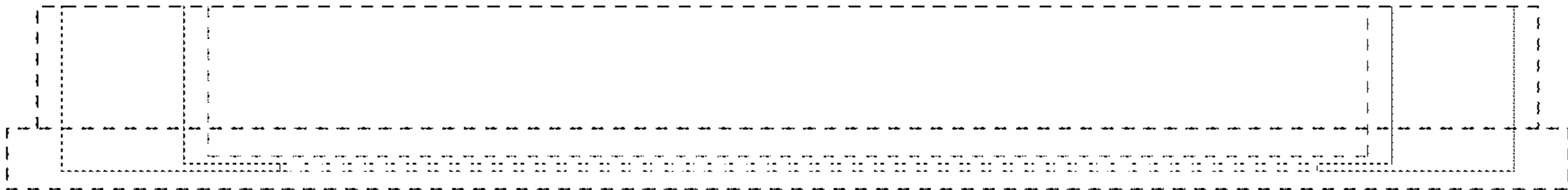


FIG. 3

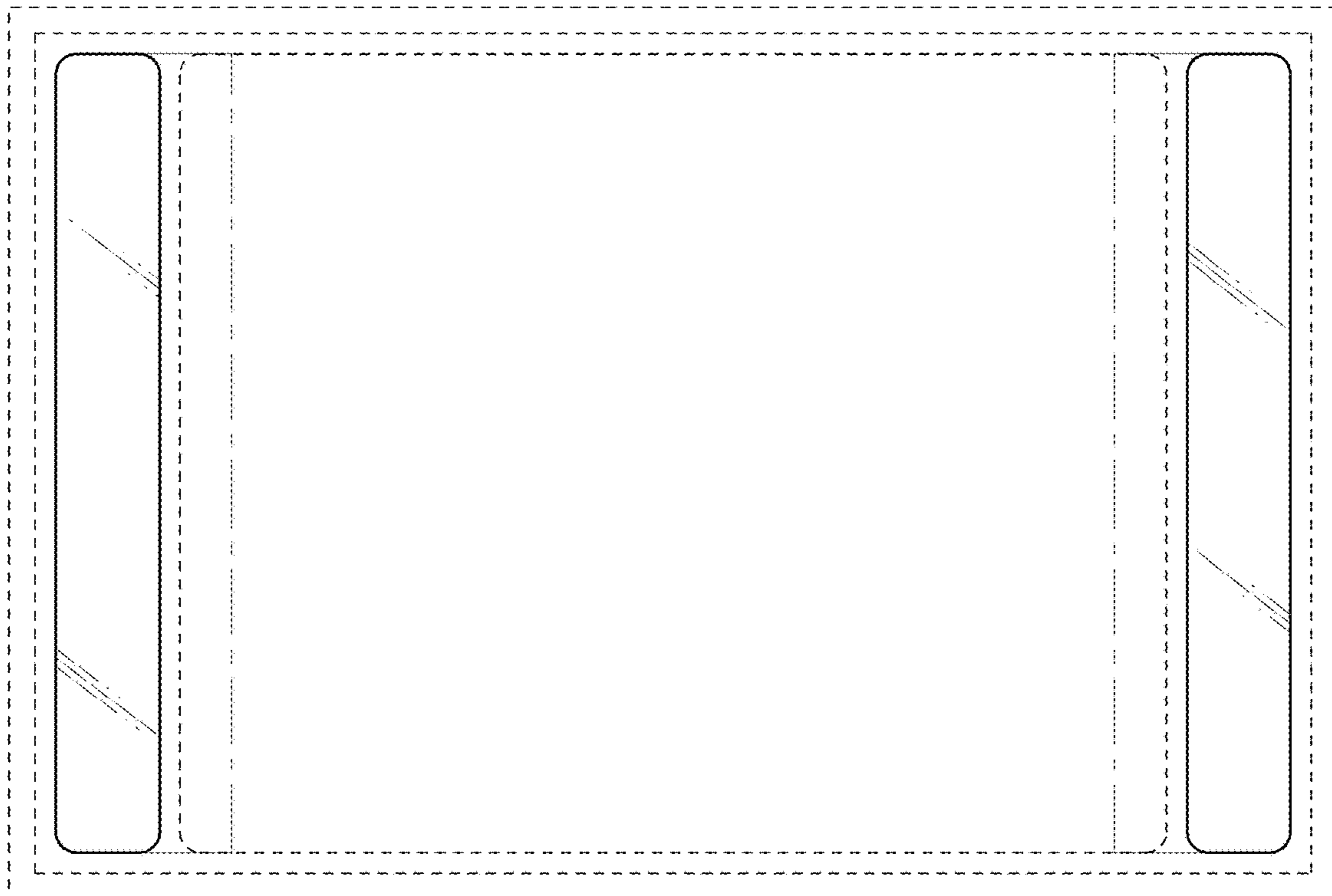


FIG. 4

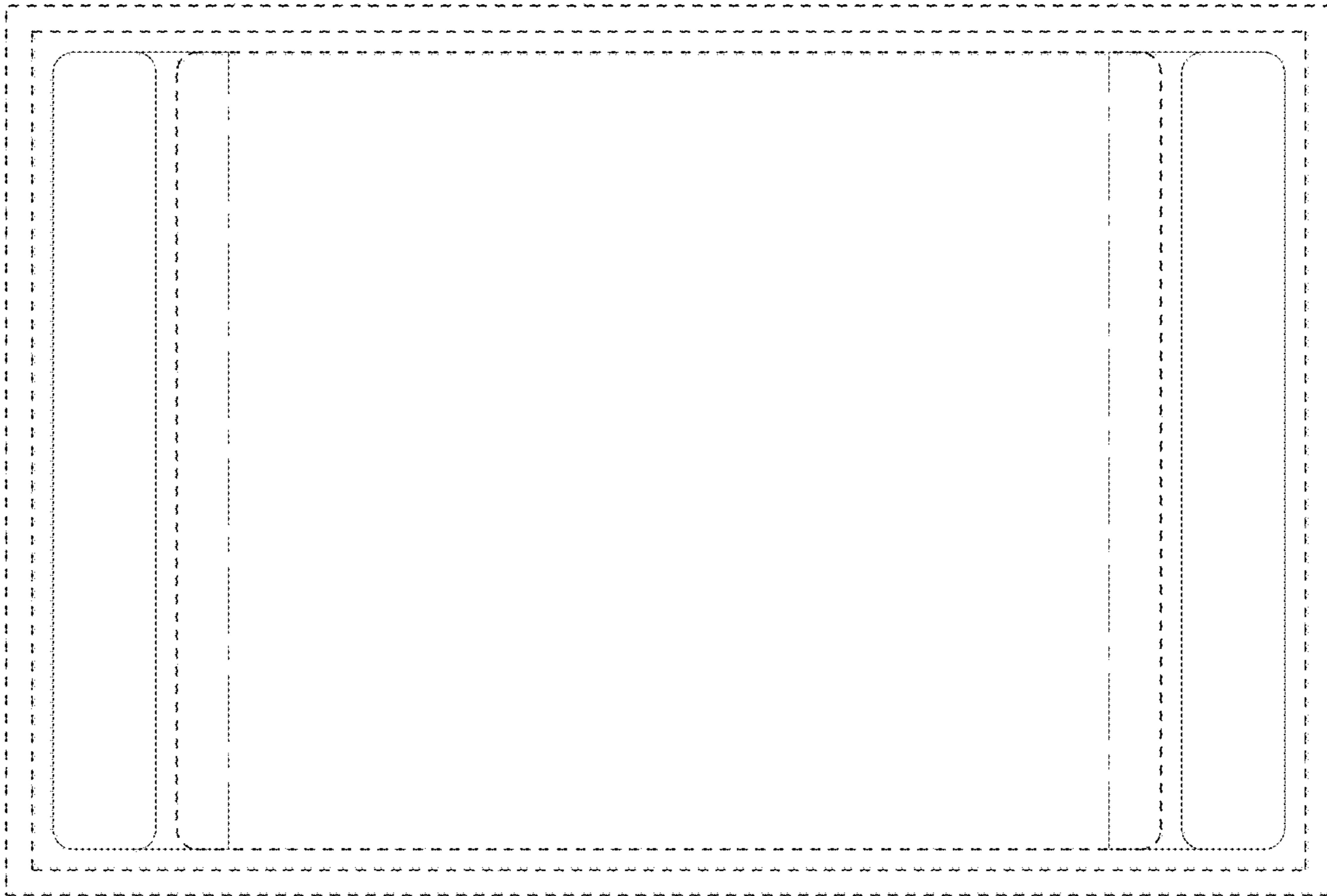


FIG. 5

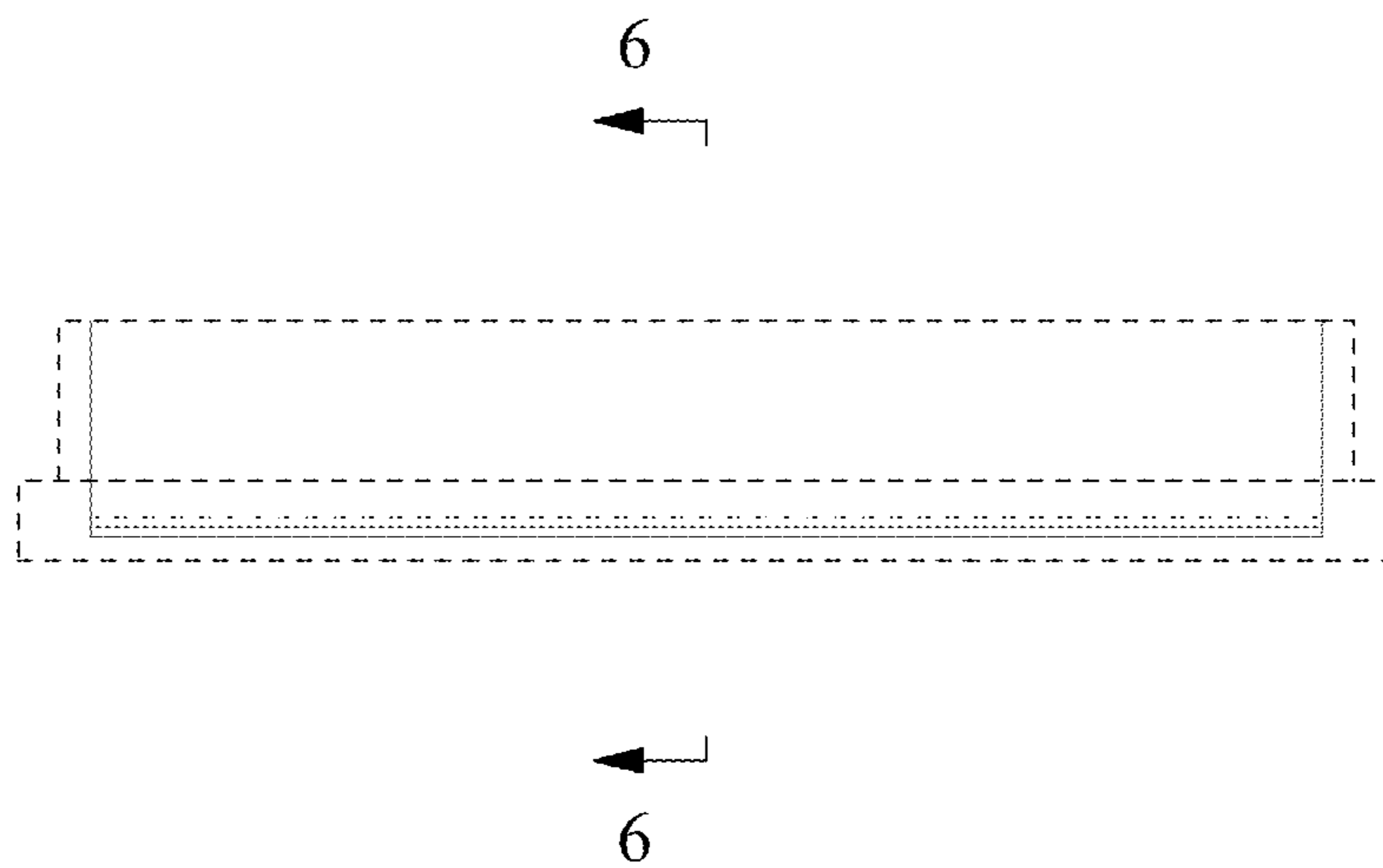


FIG. 6

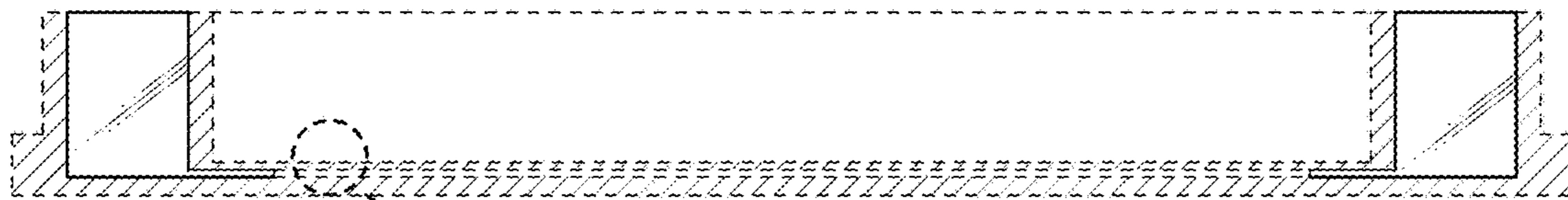


FIG. 7



FIG. 7

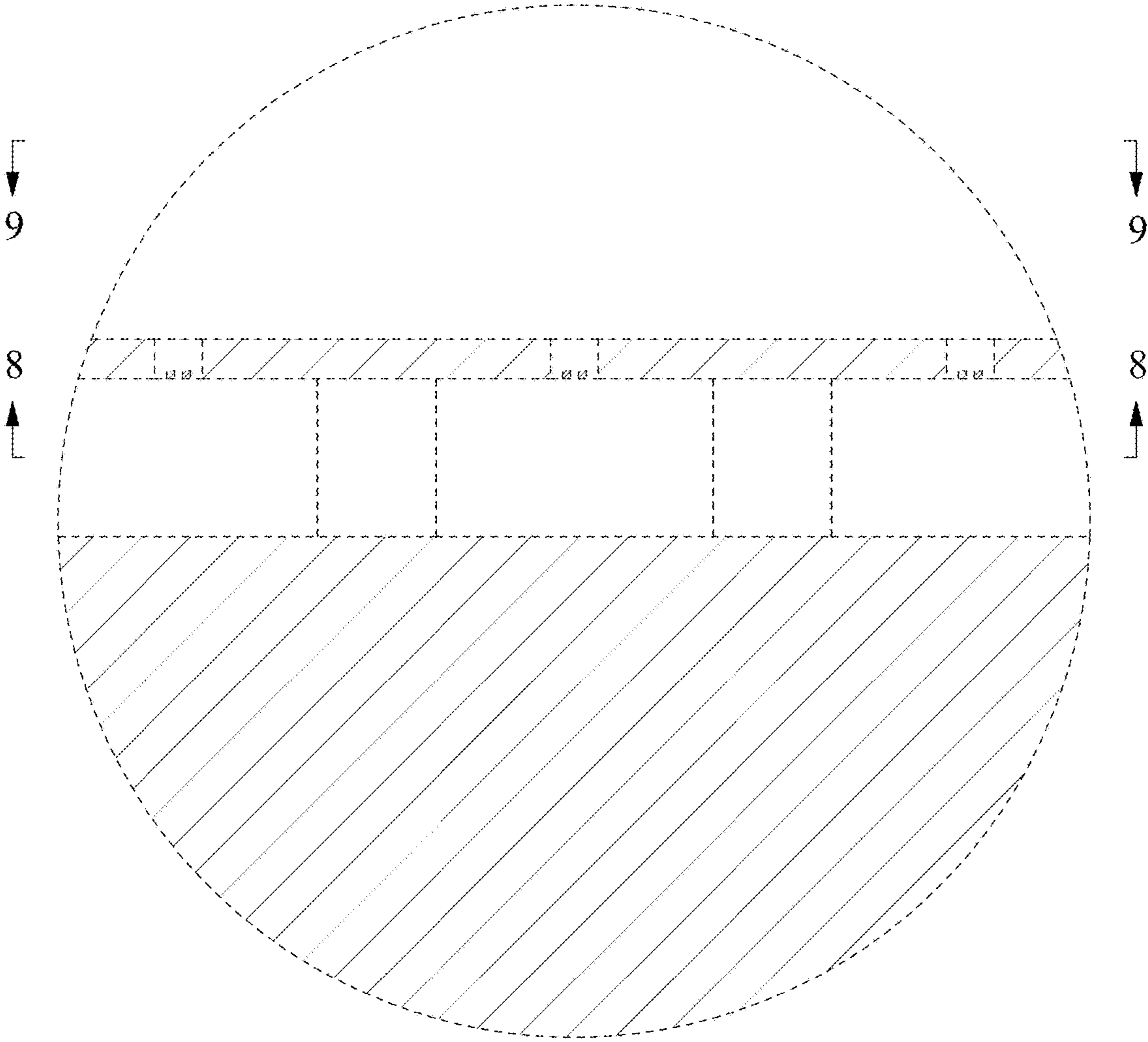


FIG. 8

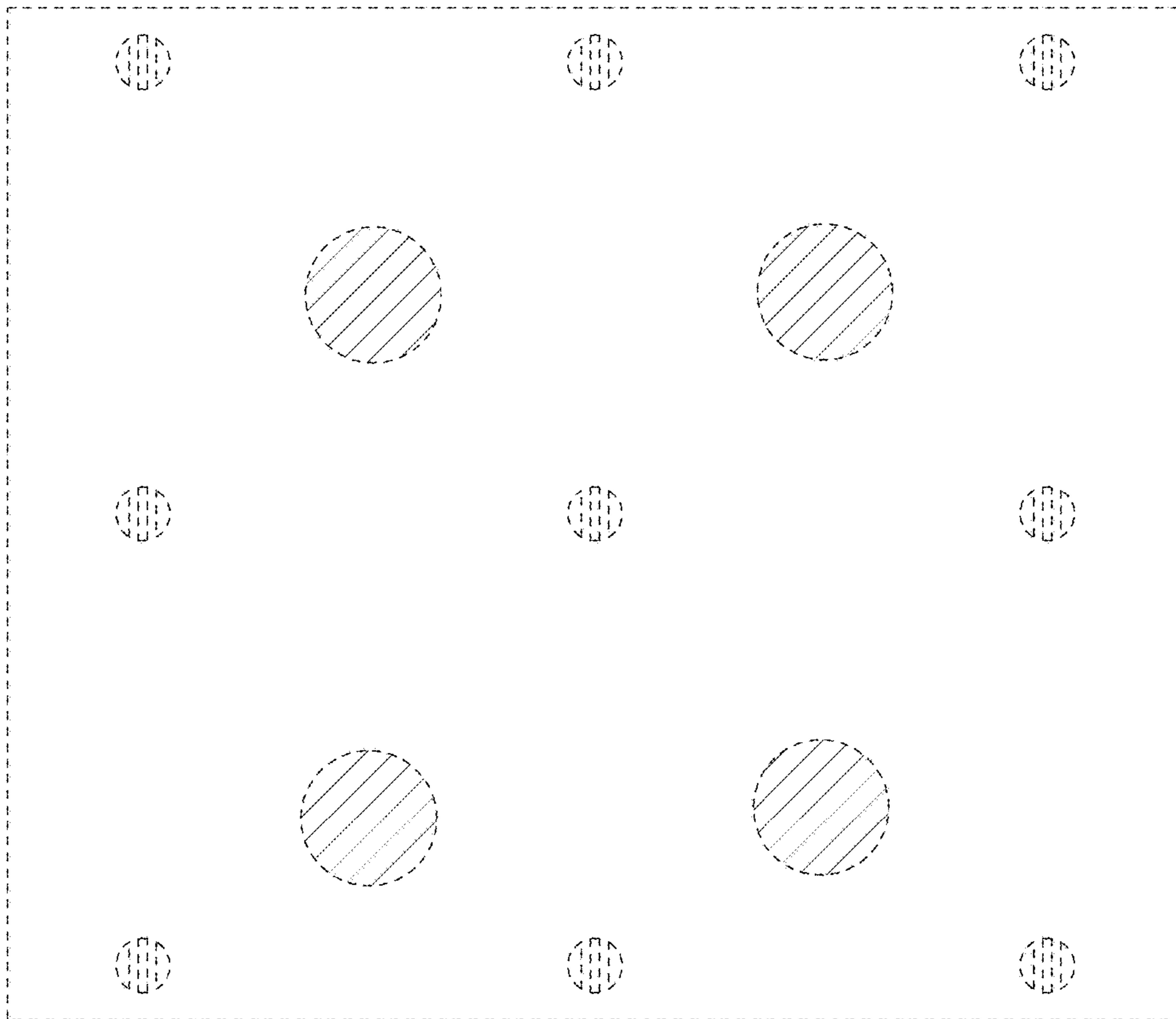


FIG. 9

