



US00D787698S

(12) **United States Design Patent** (10) **Patent No.:** **US D787,698 S**  
**Staton et al.** (45) **Date of Patent:** **\*\* May 23, 2017**

(54) **PIPETTE**

(71) Applicant: **Nalge Nunc International Corporation**, Rochester, NY (US)  
(72) Inventors: **John M. Staton**, Fairport, NY (US);  
**Daniel J. Dwyer**, Macedon, NY (US)  
(\*\*) Term: **14 Years**  
(21) Appl. No.: **29/515,491**  
(22) Filed: **Jan. 23, 2015**

**Related U.S. Application Data**

(62) Division of application No. 29/449,562, filed on Mar. 15, 2013, now Pat. No. Des. 731,075.  
(51) **LOC (10) Cl.** ..... **24-02**  
(52) **U.S. Cl.**  
USPC ..... **D24/222**  
(58) **Field of Classification Search**  
USPC ..... D24/216, 222-226, 231, 232, 108,  
D24/112-115, 117, 121, 127, 130;  
(Continued)

(56) **References Cited**

**U.S. PATENT DOCUMENTS**

3,084,592 A 4/1963 Scott  
D198,263 S 5/1964 Tieje  
D204,352 S 4/1966 Eizenberg  
D228,492 S 10/1973 Cohen  
D229,748 S 1/1974 White  
3,815,790 A 6/1974 Allen et al.  
3,938,392 A 2/1976 Rodrigues

(Continued)

**FOREIGN PATENT DOCUMENTS**

WO 2007071088 A1 6/2007  
WO 2010028712 A1 3/2010

**OTHER PUBLICATIONS**

Cole-Parmer, Corning® Stripette® Serological Pipettes, 10.0 mL, Individually Wrapped Paper/Plastic Banana Peel (EW-13001-50), retrieved on Sep. 11, 2012 from <http://www.coleparmer.com/Product/Corning>, 2011 (2 pages).

(Continued)

*Primary Examiner* — Ian Simmons

*Assistant Examiner* — Mark Cavanna

(74) *Attorney, Agent, or Firm* — Wood Herron & Evans LLP

(57) **CLAIM**

The ornamental design for a pipette, as shown and described.

**DESCRIPTION**

This application is related to U.S. application Ser. No. 13/835,663, filed Mar. 15, 2013.

FIG. 1 is a perspective view of a first embodiment of our new pipette;

FIG. 2 is a front view thereof;

FIG. 3 is a top view thereof; and

FIG. 4 is a bottom view thereof.

The right side view, rear view and left side view are identical to the front side view of FIG. 2.

FIG. 5 is a perspective view of a second embodiment of our new pipette;

FIG. 6 is a front view thereof;

FIG. 7 is a top view thereof; and

FIG. 8 is a bottom view thereof.

The right side view, rear view and left side view are identical to the front side view of FIG. 6.

FIG. 9 is a perspective view of a third embodiment of our new pipette;

FIG. 10 is a front view thereof;

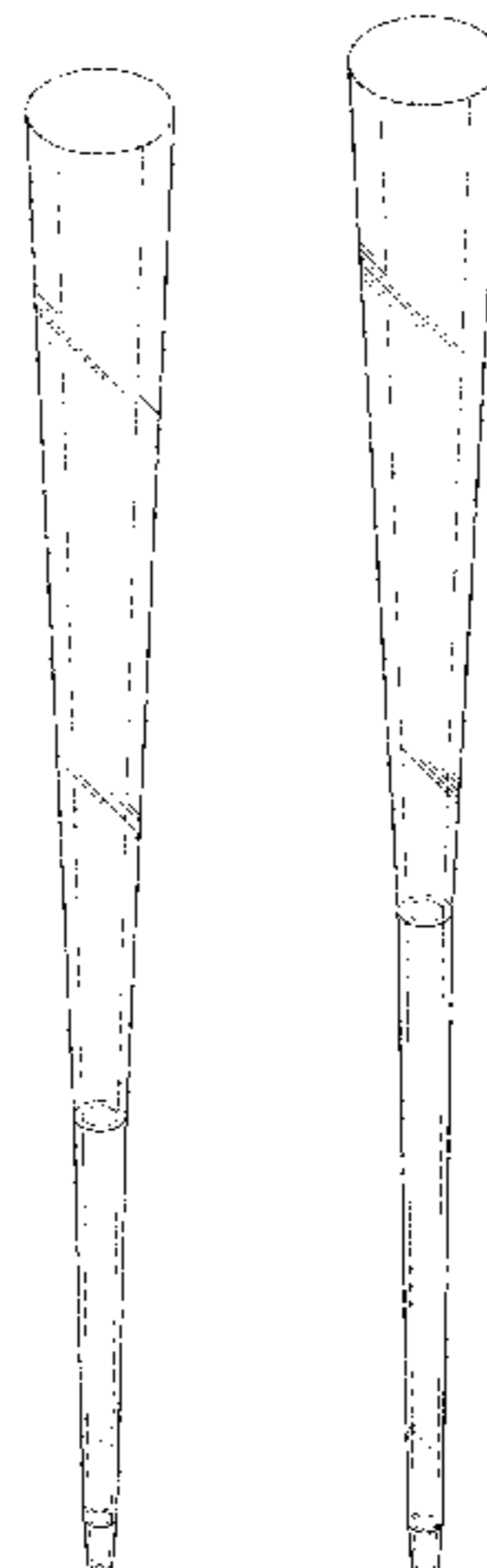
FIG. 11 is a top view thereof; and,

FIG. 12 is a bottom view thereof.

The right side view, rear view and left side view are identical to the front side view of FIG. 10.

The broken dash lines in the figures are for the purpose of illustrating the boundary of the claim and form no part of the claimed design.

**1 Claim, 3 Drawing Sheets**



- (58) **Field of Classification Search**  
 USPC ..... 422/501-503, 507, 524-525, 513, 516,  
 422/922, 400, 519, 522, 520, 526, 560;  
 73/863.32, 864.01, 864.16, 864.14,  
 73/864.13, 864.11, 73; 436/180, 178;  
 D9/447; 425/145; 428/35.7; 435/283.1  
 CPC ..... B01L 3/0275; B01L 2300/0816; B01L  
 2400/0406; B01L 3/0279; B01L  
 2400/0487; B01L 3/021; B01L 9/06;  
 B01L 3/0217; G01M 1/04  
 See application file for complete search history.

(56) **References Cited**  
 U.S. PATENT DOCUMENTS

D246,380 S 11/1977 Boothby  
 D250,599 S 12/1978 St. Amand  
 D252,586 S 8/1979 Kovach  
 D254,445 S 3/1980 Boghosian  
 D255,601 S 6/1980 De Vaughn  
 D256,052 S 7/1980 De Vaughn  
 D257,567 S 11/1980 Peacock  
 D257,791 S 1/1981 Parker  
 D260,434 S 8/1981 St. Amand  
 D260,554 S 9/1981 Roach  
 D266,874 S 11/1982 St. Amand  
 D268,131 S 3/1983 St. Amand  
 RE31,555 E 4/1984 Garren et al.  
 D274,651 S 7/1984 De Vaughn  
 D274,652 S 7/1984 DeVaughn  
 4,483,825 A 11/1984 Fatches  
 D286,570 S 11/1986 Williams  
 4,647,419 A 3/1987 Helfer et al.  
 D292,827 S 11/1987 Fele  
 D297,054 S 8/1988 Williams  
 4,779,768 A 10/1988 St. Amand  
 D299,956 S 2/1989 Saint-Amand  
 D300,561 S 4/1989 Asa et al.  
 D303,151 S 8/1989 Saint-Amand  
 D303,152 S 8/1989 Saint-Amand  
 4,877,585 A 10/1989 Perlman  
 5,032,343 A 7/1991 Jeffs et al.  
 5,084,241 A 1/1992 Parker  
 D326,322 S 5/1992 Clegg et al.  
 5,156,811 A 10/1992 White  
 D333,705 S 3/1993 Garren et al.  
 5,223,225 A 6/1993 Gautsch  
 5,232,669 A 8/1993 Pardinias  
 5,240,397 A 8/1993 Fay et al.  
 D357,324 S 4/1995 Bartal  
 D358,464 S 5/1995 Anderson  
 D362,387 S 9/1995 Shumer  
 D365,146 S 12/1995 Olson  
 5,496,523 A 3/1996 Gazit et al.  
 5,516,564 A 5/1996 Root et al.  
 D373,827 S 9/1996 Polaniec  
 5,563,356 A 10/1996 Mussi et al.  
 D384,162 S 9/1997 Husar et al.  
 D384,163 S 9/1997 Husar et al.  
 D384,418 S 9/1997 Torti et al.  
 D386,260 S 11/1997 Polaniec  
 D387,425 S 12/1997 Niedospial et al.  
 D387,426 S 12/1997 Husar et al.  
 5,770,158 A 6/1998 Eischen et al.  
 D401,698 S 11/1998 Daniels  
 D405,882 S 2/1999 Yale  
 D414,562 S 9/1999 Tajima  
 D416,625 S 11/1999 Torti et al.  
 D425,617 S 5/2000 Snedden  
 6,066,297 A 5/2000 Torti et al.  
 6,168,761 B1 1/2001 Kelly et al.  
 D437,797 S 2/2001 Bishop  
 D437,940 S 2/2001 Rainin et al.  
 D438,629 S 3/2001 Stevens  
 D438,954 S 3/2001 Orsing  
 D438,981 S 3/2001 Rainin et al.

D439,986 S 4/2001 Petrek  
 D441,458 S 5/2001 Petrek  
 6,224,588 B1 5/2001 Jentzen  
 D443,364 S 6/2001 Stevens  
 D445,495 S 7/2001 Schaefer et al.  
 D446,864 S 8/2001 Petrek  
 D448,853 S 10/2001 Rainin et al.  
 D461,904 S 8/2002 Petrek  
 D465,844 S 11/2002 Anderson et al.  
 D465,853 S 11/2002 Petersen  
 6,482,362 B1 11/2002 Smith  
 D468,024 S 12/2002 Petrek  
 D468,439 S 1/2003 On et al.  
 D468,440 S 1/2003 Petrek  
 D468,830 S 1/2003 On et al.  
 D468,831 S 1/2003 On et al.  
 D468,832 S 1/2003 Petrek  
 6,550,349 B1 4/2003 Godin  
 6,566,145 B2 5/2003 Brewer  
 6,589,484 B2 7/2003 Buehler  
 6,596,240 B2 7/2003 Taggart et al.  
 D487,593 S 3/2004 Sarna  
 6,737,023 B1 5/2004 Kelly et al.  
 6,837,119 B2 1/2005 Blackwood-Sewell  
 6,955,077 B2 10/2005 Blaszcak et al.  
 7,047,828 B2 5/2006 Blaszcak et al.  
 7,081,228 B1\* 7/2006 Ito ..... B01L 3/0275  
 422/525  
 7,185,551 B2 3/2007 Schwartz  
 D560,815 S 1/2008 Tajima  
 7,320,259 B2 1/2008 Jessop  
 D561,347 S 2/2008 Tajima  
 D561,906 S 2/2008 Tajima  
 D565,192 S 3/2008 Tajima  
 D569,989 S 5/2008 Tajima  
 D593,205 S 5/2009 Ayliffe  
 D601,712 S 10/2009 Tajima  
 8,133,454 B2 3/2012 Tajima  
 8,163,256 B2 4/2012 Cote et al.  
 D663,042 S 7/2012 Motadel et al.  
 8,211,386 B2 7/2012 Talmer et al.  
 D673,291 S 12/2012 Knight et al.  
 D679,826 S 4/2013 Ziegmann et al.  
 D679,828 S 4/2013 Motadel et al.  
 D680,226 S 4/2013 Motadel et al.  
 8,425,860 B2 4/2013 Tajima  
 8,476,080 B2 7/2013 Talmer et al.  
 D687,562 S 8/2013 Motadel et al.  
 D687,563 S 8/2013 Tamura  
 D690,417 S 9/2013 Solomon  
 D691,282 S 10/2013 Motadel et al.  
 D694,424 S 11/2013 Kwak et al.  
 D699,837 S 2/2014 Ericsson  
 D700,318 S 2/2014 Amoah et al.  
 D703,344 S 4/2014 Herbst et al.  
 D706,946 S 6/2014 Lohn  
 D709,623 S 7/2014 Lohn  
 8,828,331 B2 9/2014 Tajima  
 2006/0171851 A1 8/2006 Motadel  
 2006/0177352 A1 8/2006 Ziegmann et al.  
 2007/0017870 A1 1/2007 Belov et al.  
 2007/0231215 A1 10/2007 Mototsu et al.  
 2008/0078258 A1 4/2008 Price et al.  
 2008/0292505 A1 11/2008 Tian  
 2010/0218622 A1 9/2010 Motadel  
 2011/0129396 A1 6/2011 Fish  
 2011/0183433 A1 7/2011 Motadel et al.  
 2011/0263005 A1 10/2011 Chang et al.

OTHER PUBLICATIONS

Cole-Parmer, 5 mL Cole-Parmer large-tip opening serological pipette (YO-25562-24), retrieved on Sep. 11, 2012 from <http://www.coleparmer.com/buy/product/70022>, 2011 (3 pages).  
 Cole-Parmer, Pyrex® 7078 Pipette, 10 ML, 720/CS (EW-34567-26), retrieved on Sep. 11, 2012 from <http://www.coleparmer.com/Product/Pyrex>, 2011 (2 pages).  
 Cole-Parmer, Turkey Baster, date unknown (1 page).

(56)

**References Cited**

OTHER PUBLICATIONS

European Patent Office, International Search Report and Written Opinion of the International Searching Authority, International Application No. PCT/US2014/024398, mailed on Jun. 3, 2014 (9 pages).

Espacenet, International Application No. WO2007/071088A1, Published on Jun. 28, 2007, retrieved from <http://worldwide.espacenet.com> on Jun. 12, 2014 (9 pages).

Intellectual Property Office of Singapore, Written Opinion issued in corresponding Singapore Application No. 11201507498W, dated May 18, 2016 (6 pages).

State Intellectual Property Office of the People's Republic of China, First Office Action and Search Report issued in corresponding Chinese application No. 201480026402.7, English Translation, dated Jul. 13, 2016 (5 pages).

\* cited by examiner

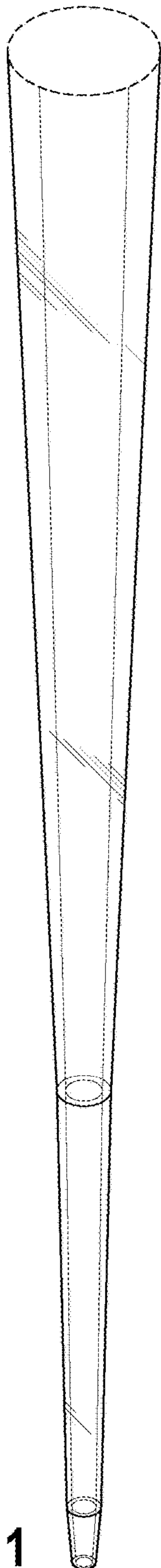


FIG. 1

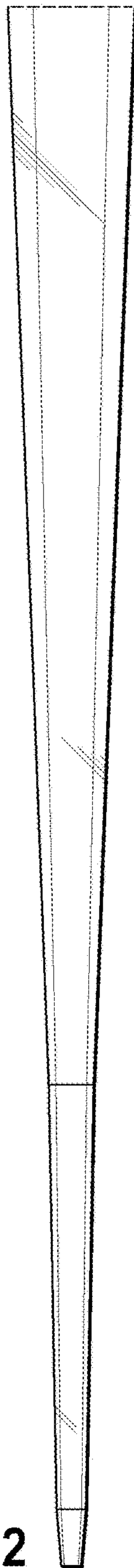


FIG. 2

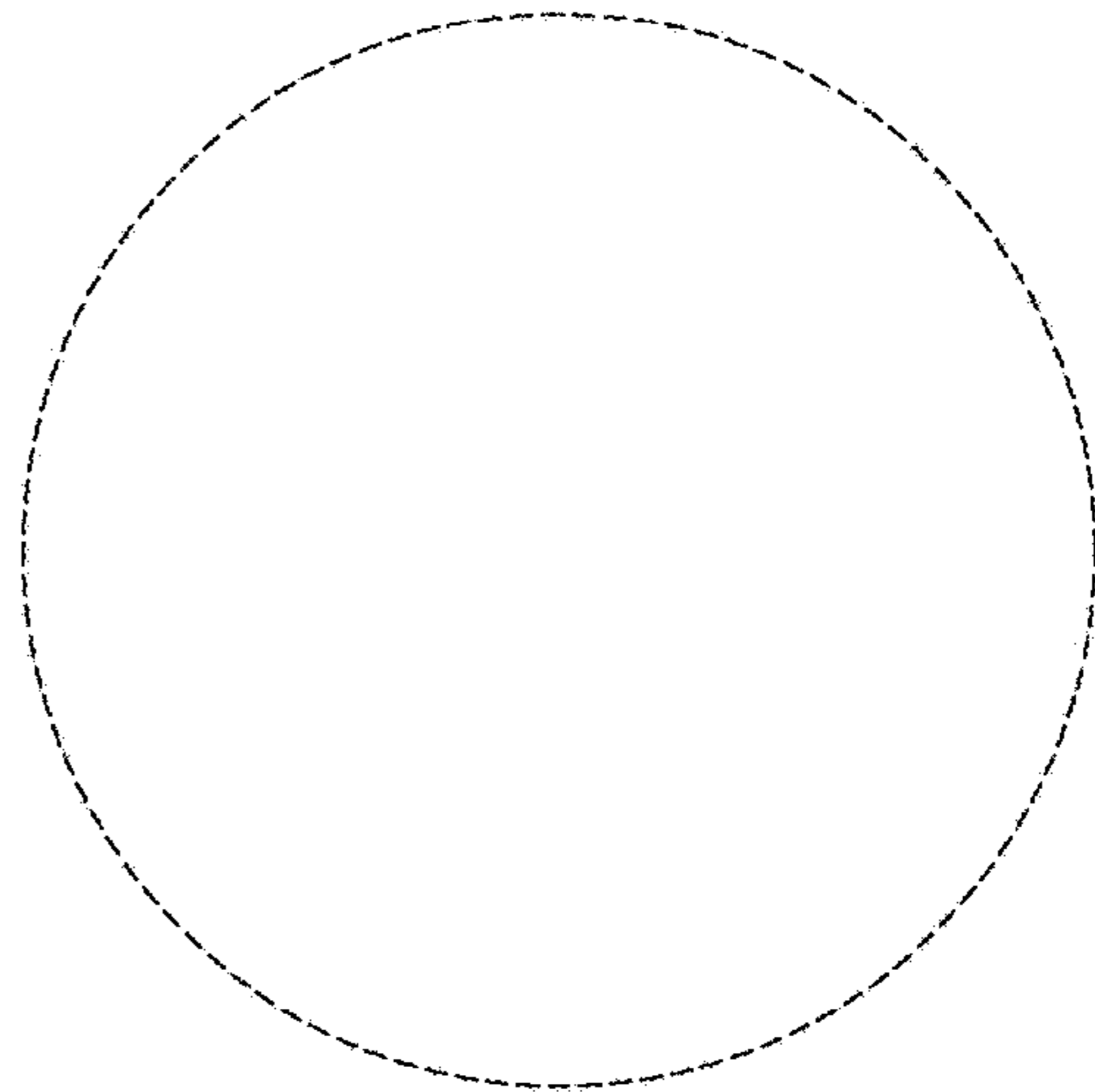


FIG. 3

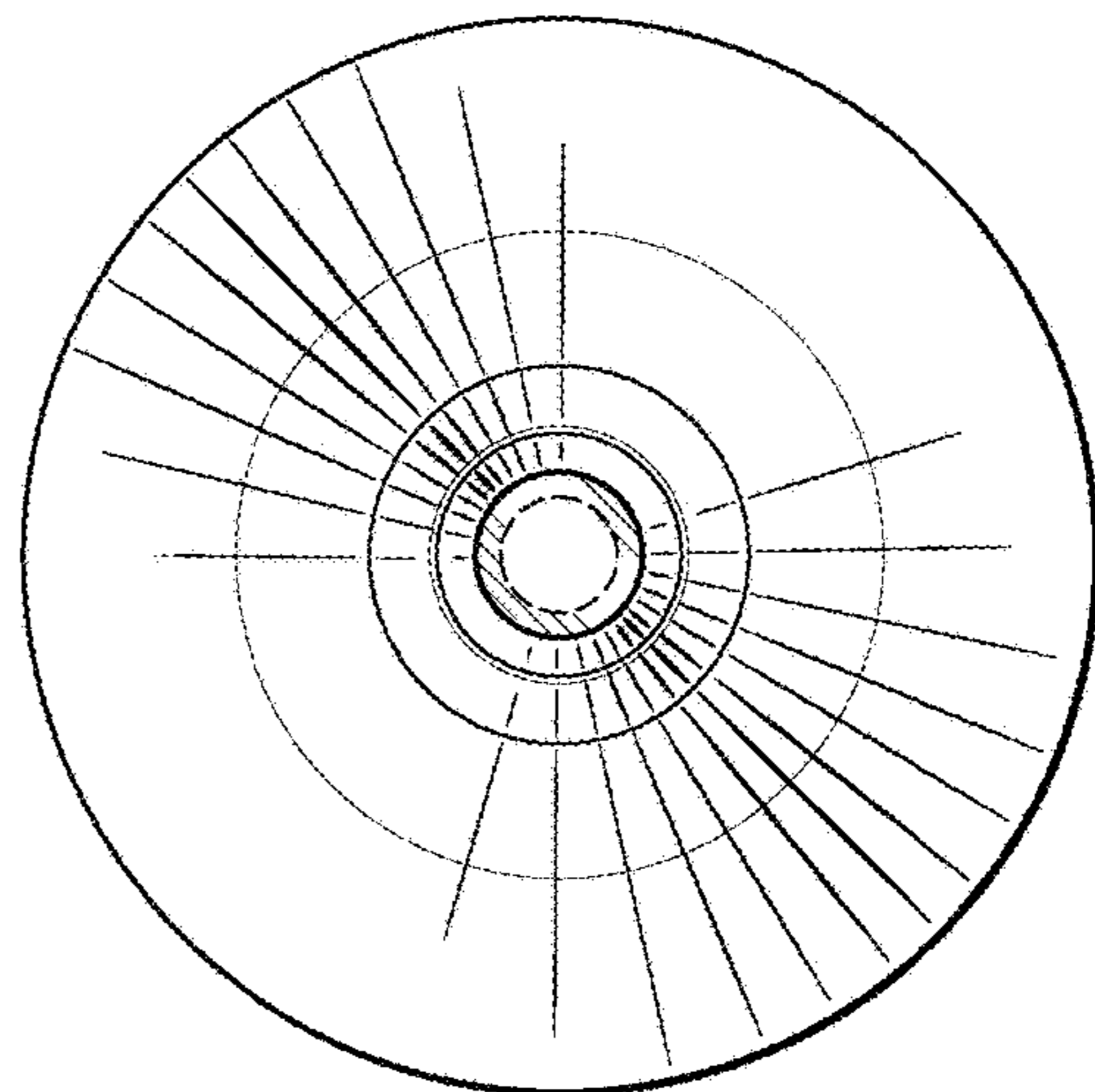


FIG. 4

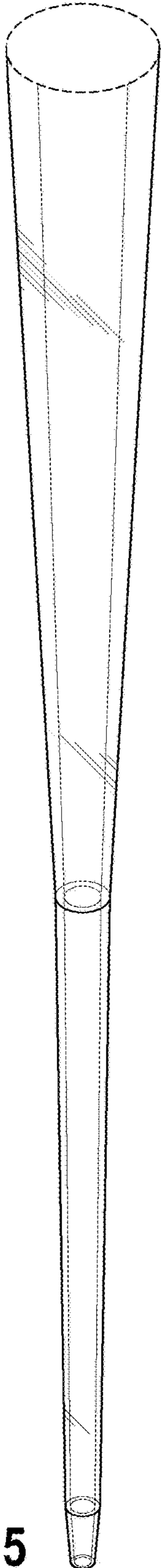


FIG. 5

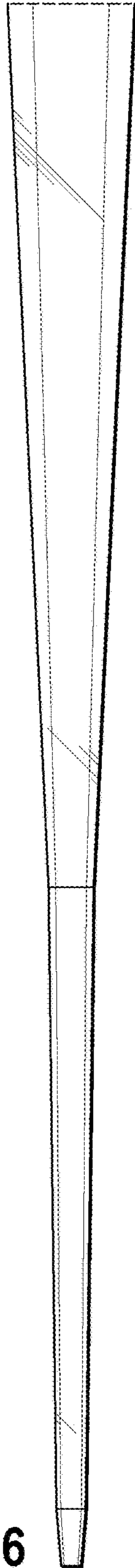


FIG. 6

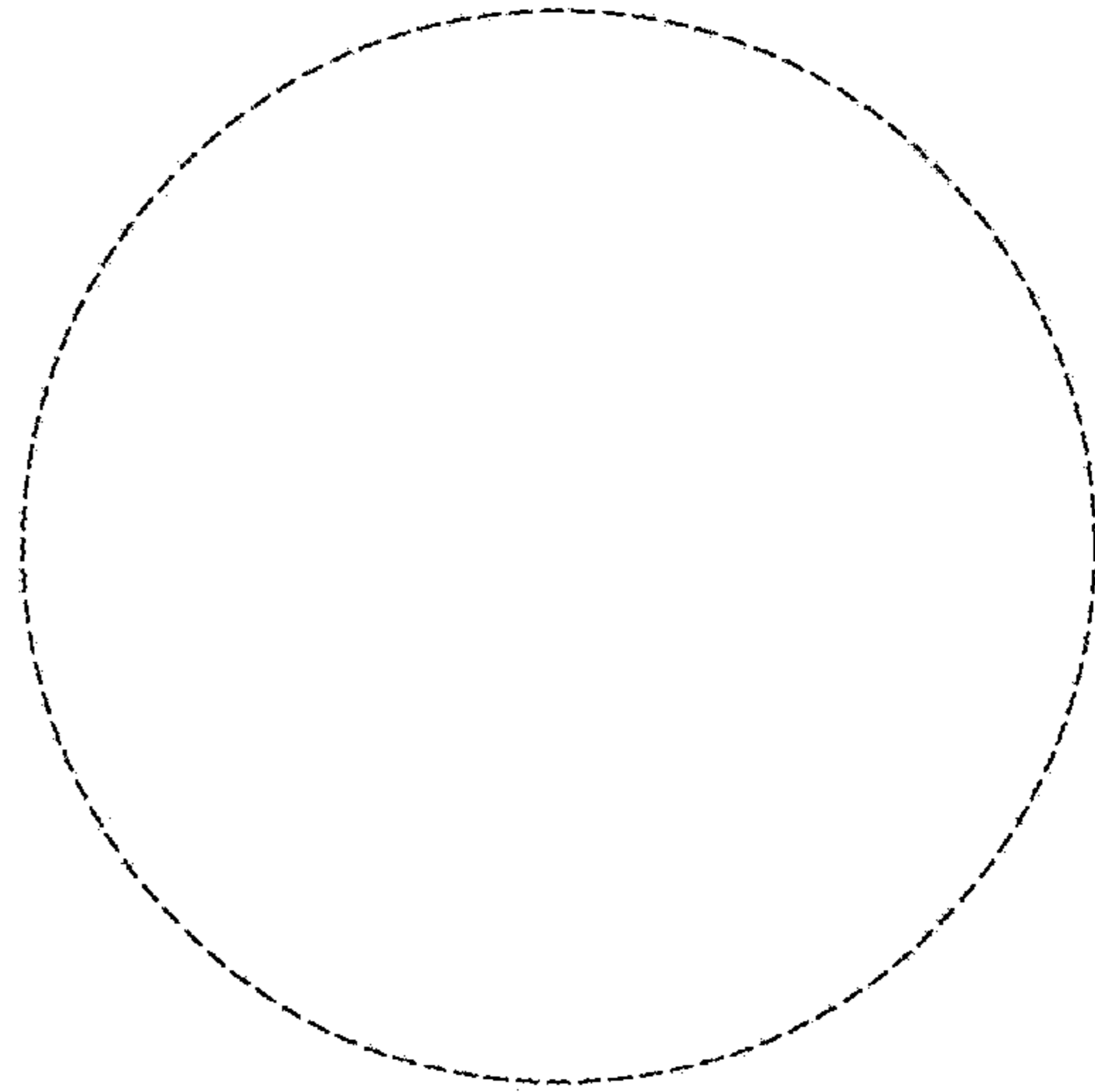


FIG. 7

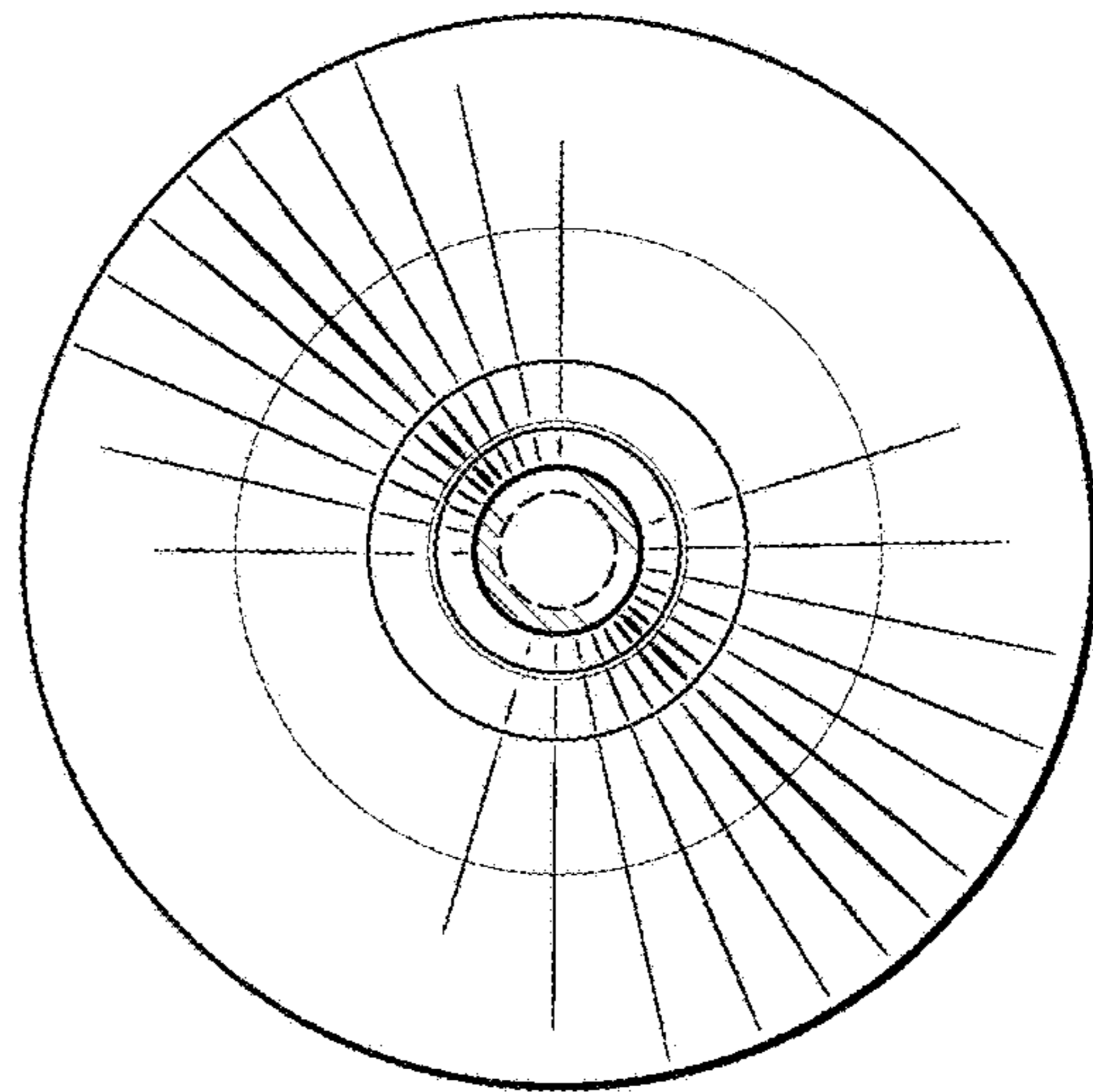


FIG. 8

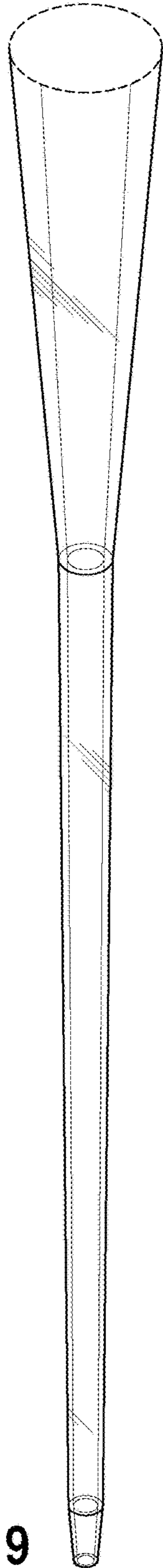


FIG. 9

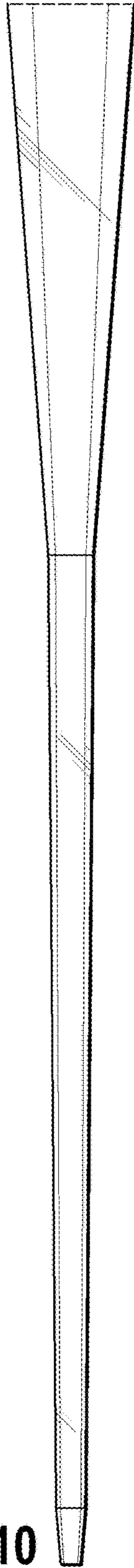


FIG. 10

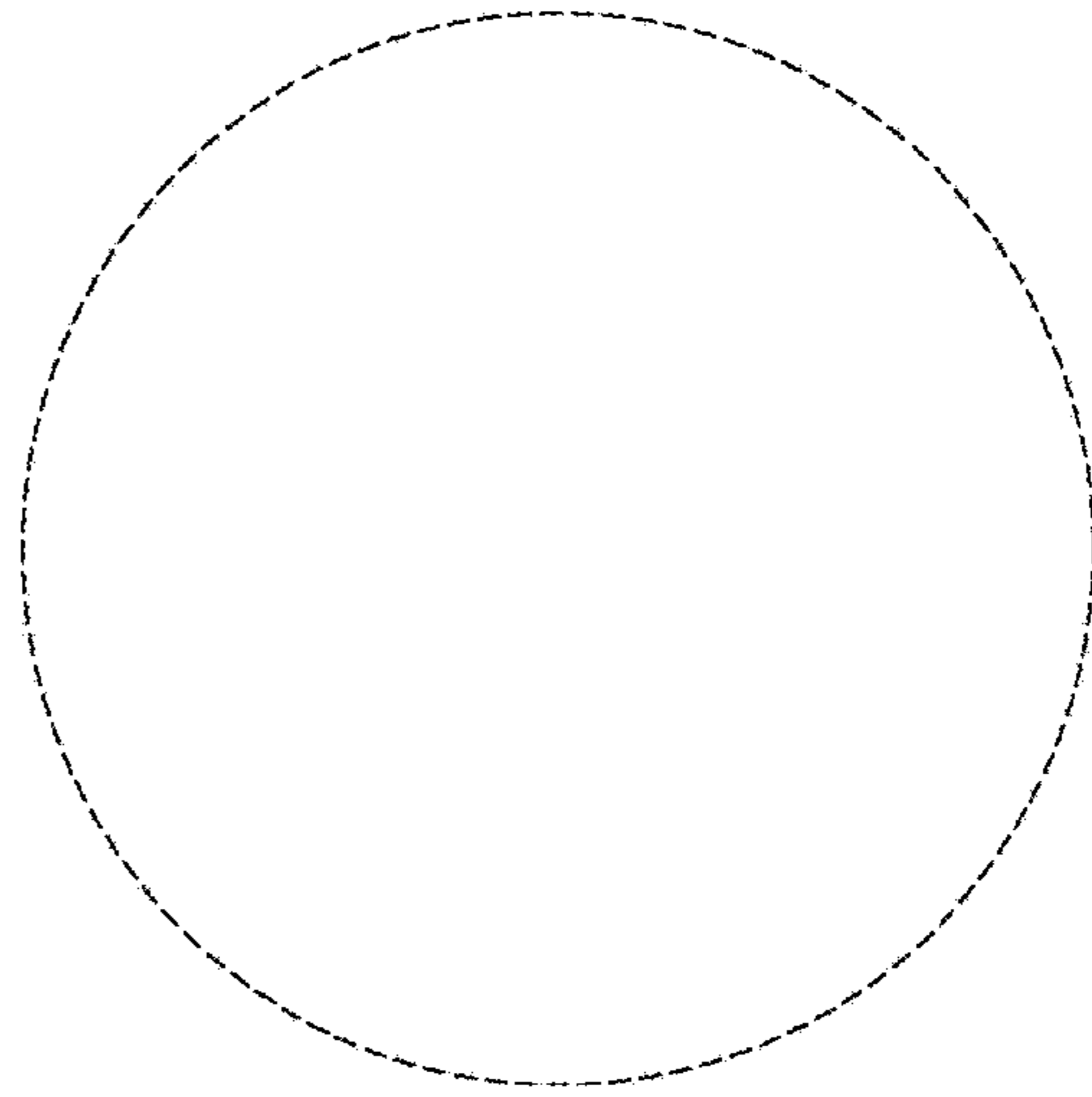


FIG. 11

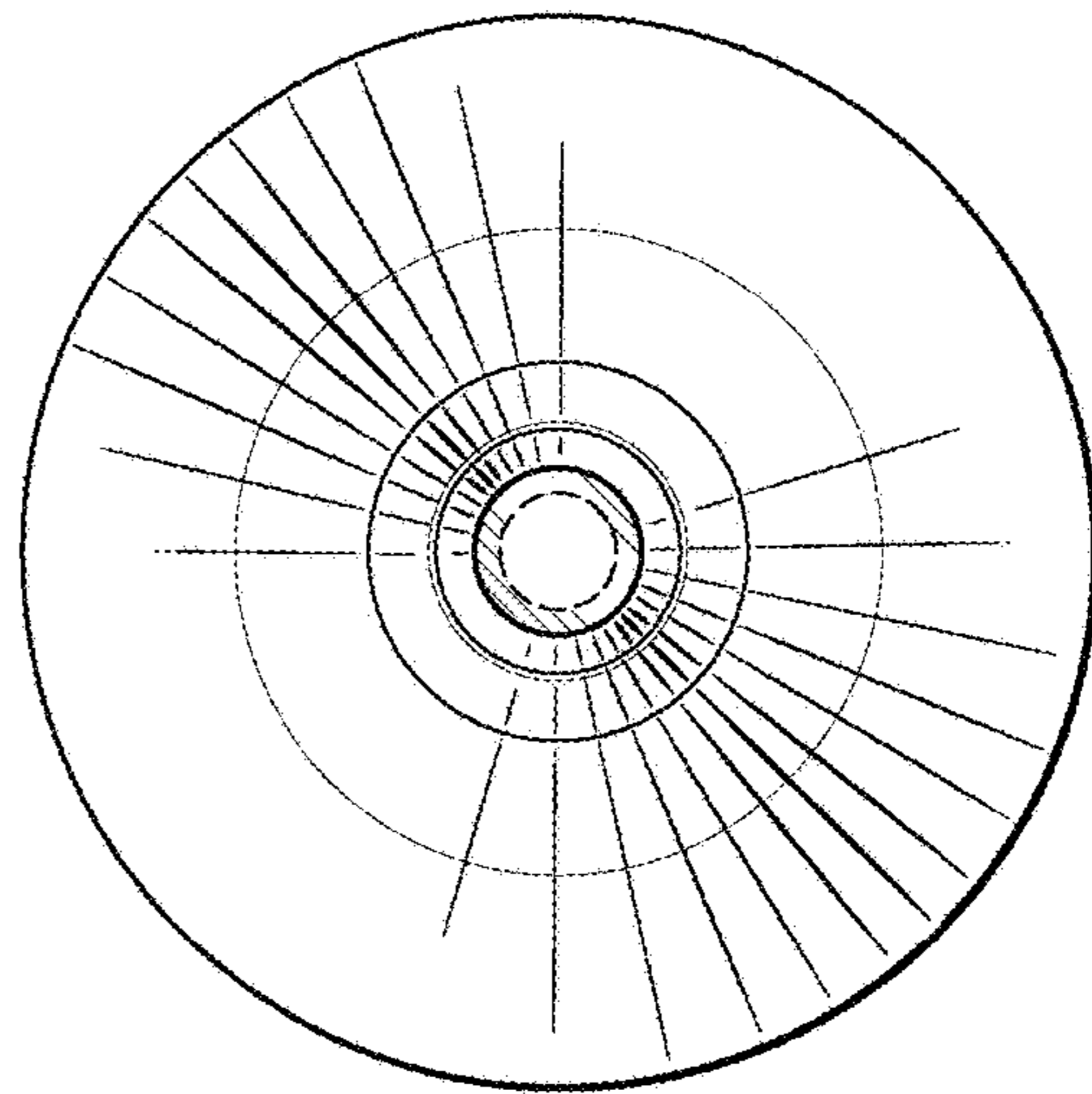


FIG. 12

UNITED STATES PATENT AND TRADEMARK OFFICE  
**CERTIFICATE OF CORRECTION**

PATENT NO. : D787,698 S  
APPLICATION NO. : 29/515491  
DATED : May 23, 2017  
INVENTOR(S) : John M. Staton et al.

Page 1 of 1

It is certified that error appears in the above-identified patent and that said Letters Patent is hereby corrected as shown below:

On the Title Page

(73) Assignee inadvertently omitted; please insert --(73) Assignee: Nalge Nunc International Corporation, Rochester, NY (US)--

Signed and Sealed this  
Twenty-sixth Day of December, 2017



Joseph Matal

*Performing the Functions and Duties of the  
Under Secretary of Commerce for Intellectual Property and  
Director of the United States Patent and Trademark Office*