



US00D787697S

(12) **United States Design Patent** (10) **Patent No.:** **US D787,697 S**  
**Wang et al.** (45) **Date of Patent:** **\*\* May 23, 2017**

(54) **TEST READER**  
(71) Applicants: **Naishu Wang**, San Diego, CA (US);  
**Jimmy Jing**, San Diego, CA (US)  
(72) Inventors: **Naishu Wang**, San Diego, CA (US);  
**Jimmy Jing**, San Diego, CA (US)  
(\*\*) Term: **15 Years**  
(21) Appl. No.: **29/534,105**  
(22) Filed: **Jul. 26, 2015**  
(51) **LOC (10) Cl.** ..... **24-01**  
(52) **U.S. Cl.**  
USPC ..... **D24/216; D24/186**  
(58) **Field of Classification Search**  
USPC ..... D24/216, 223, 224, 231, 232, 233, 107,  
D24/169, 186; D10/81; D14/433, 434,  
D14/453  
CPC ..... G01N 2035/00871; G01N 2035/00891;  
G01N 21/8483; A61B 2010/0009; G06F  
19/366; G06K 9/00134; H04M 1/026  
See application file for complete search history.

2014/0286550 A1\* 9/2014 Beule ..... G01N 21/8483  
382/128  
2014/0296112 A1\* 10/2014 O'Driscoll ..... G01J 3/0202  
506/39  
2015/0031412 A1\* 1/2015 Quilter ..... G06F 19/366  
455/556.1  
2015/0177147 A1\* 6/2015 Mangan ..... G01N 33/04  
250/432 R  
2015/0304555 A1\* 10/2015 Ehrenkranz ..... H04N 5/2256  
348/207.1

\* cited by examiner

*Primary Examiner* — Anhdao Doan  
(74) *Attorney, Agent, or Firm* — Buche & Associates,  
P.C.; John K. Buche; Bryce A. Johnson

(57) **CLAIM**

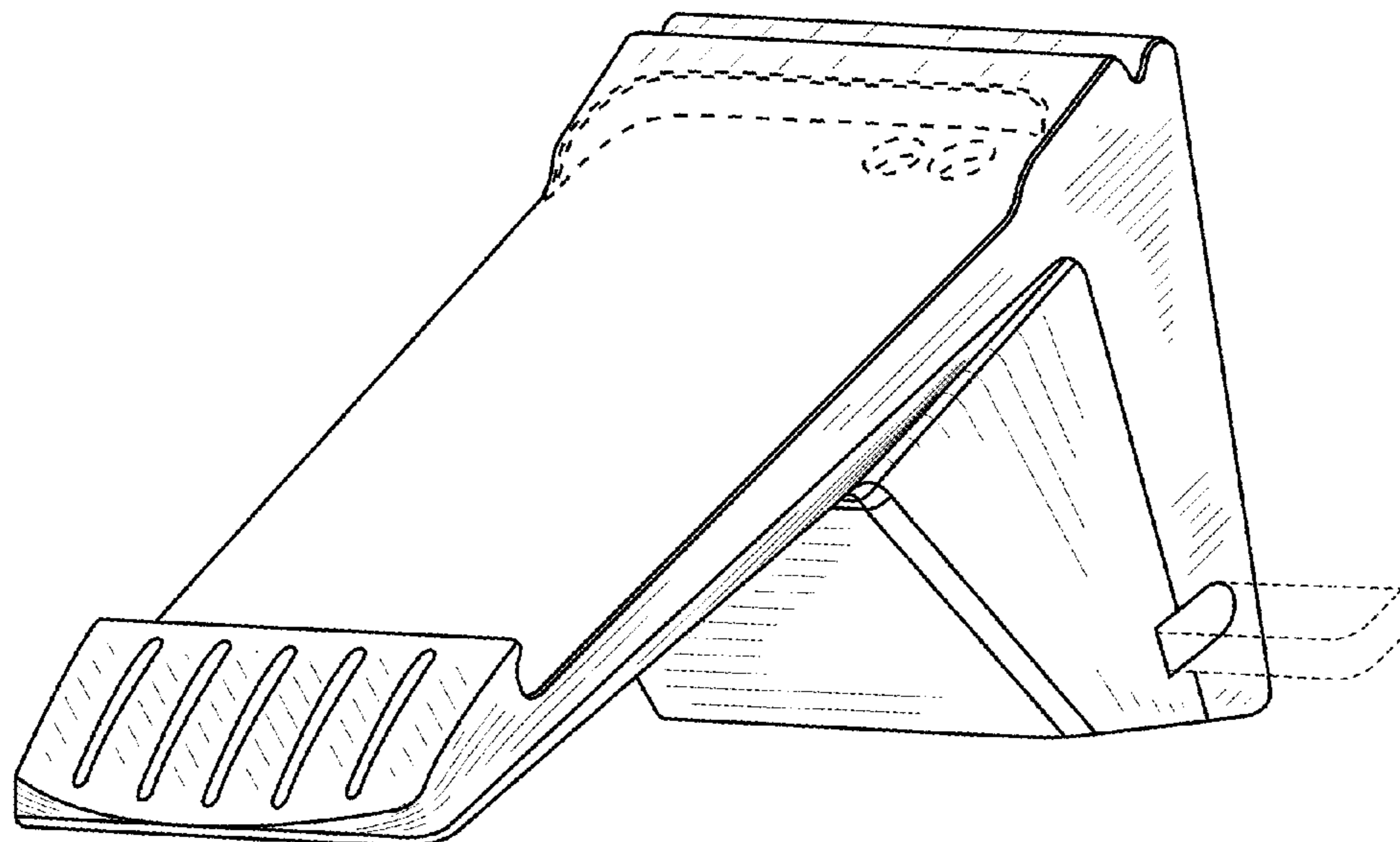
The ornamental design for a test reader, as shown and described.

**DESCRIPTION**

FIG. 1 is a perspective view of a test reader.  
FIG. 2 is a front view of the test reader.  
FIG. 3 is a back view of the test reader.  
FIG. 4 is a left-side view of the test reader.  
FIG. 5 is a right-side view of the test reader.  
FIG. 6 is a top view of the test reader.  
FIG. 7 is a bottom view of the test reader; and,  
FIG. 8 is a perspective view of the test reader in condition of use.  
The broken lines immediately adjacent to the shaded areas represent the bounds of the claim, while all other broken lines are directed to environment. The broken lines form no part of the claimed design.

(56) **References Cited**  
U.S. PATENT DOCUMENTS  
D439,669 S \* 3/2001 Grunstad ..... D14/434  
D638,019 S \* 5/2011 Weisshaupt ..... D14/434  
D662,082 S \* 6/2012 McManigal ..... D14/217  
D701,320 S \* 3/2014 Quilter ..... D24/216  
D727,327 S \* 4/2015 Quilter ..... D14/420  
D762,860 S \* 8/2016 He ..... D24/186  
2013/0273524 A1\* 10/2013 Ehrenkranz ..... G01N 21/17  
435/5  
2013/0273563 A1\* 10/2013 Ehrenkranz ..... G01N 33/54366  
435/7.4

**1 Claim, 5 Drawing Sheets**



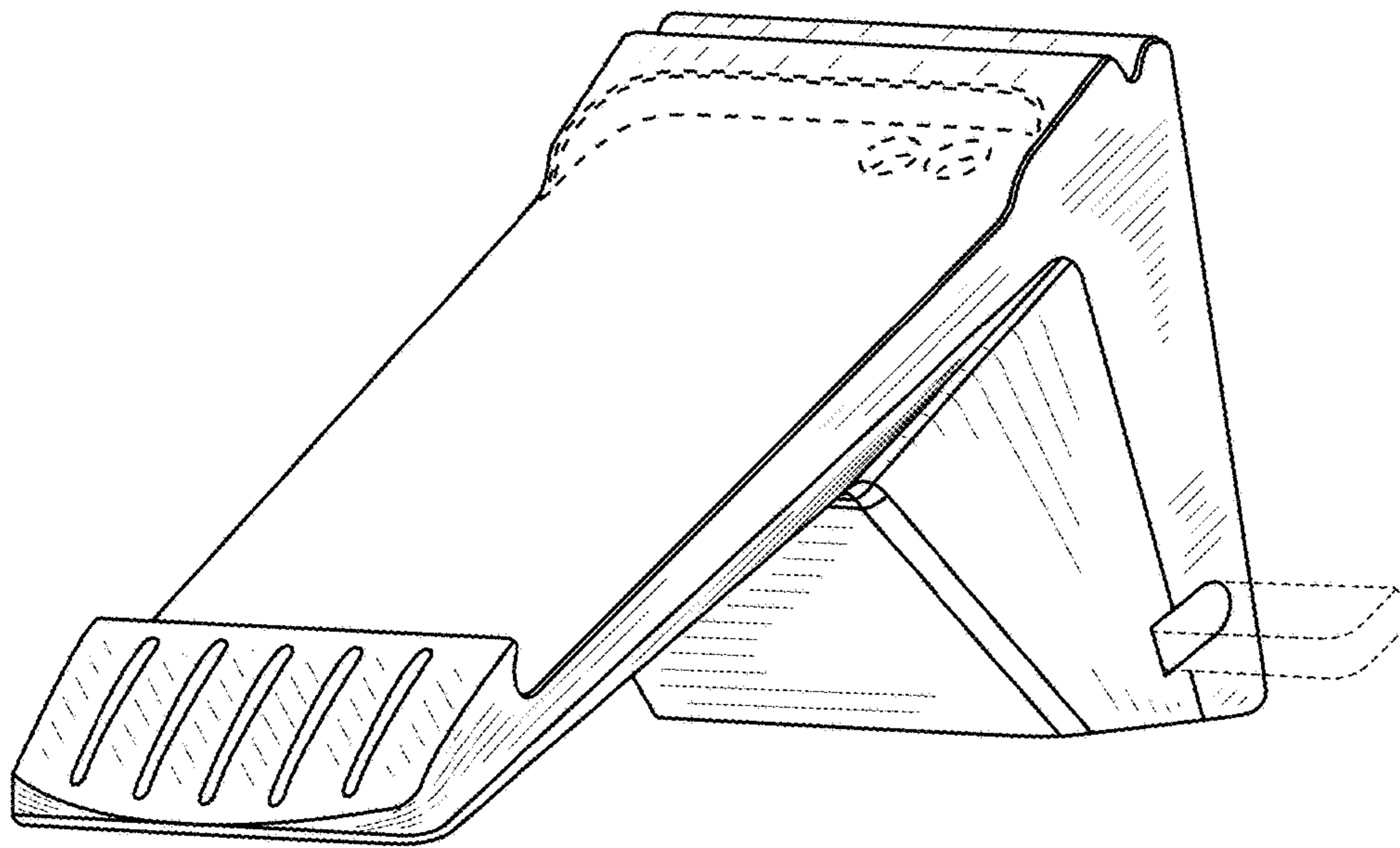


FIG. 1

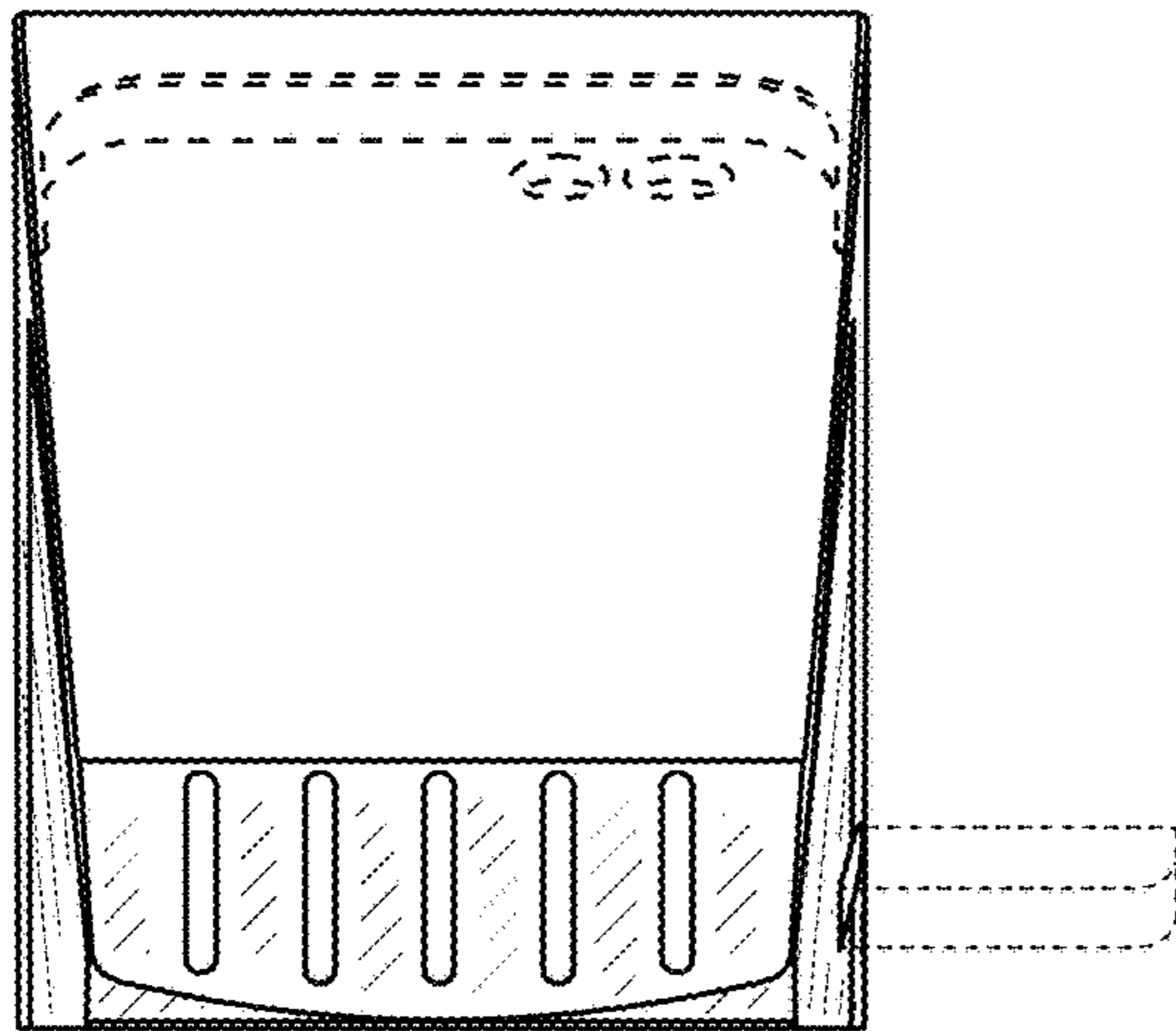


FIG. 2

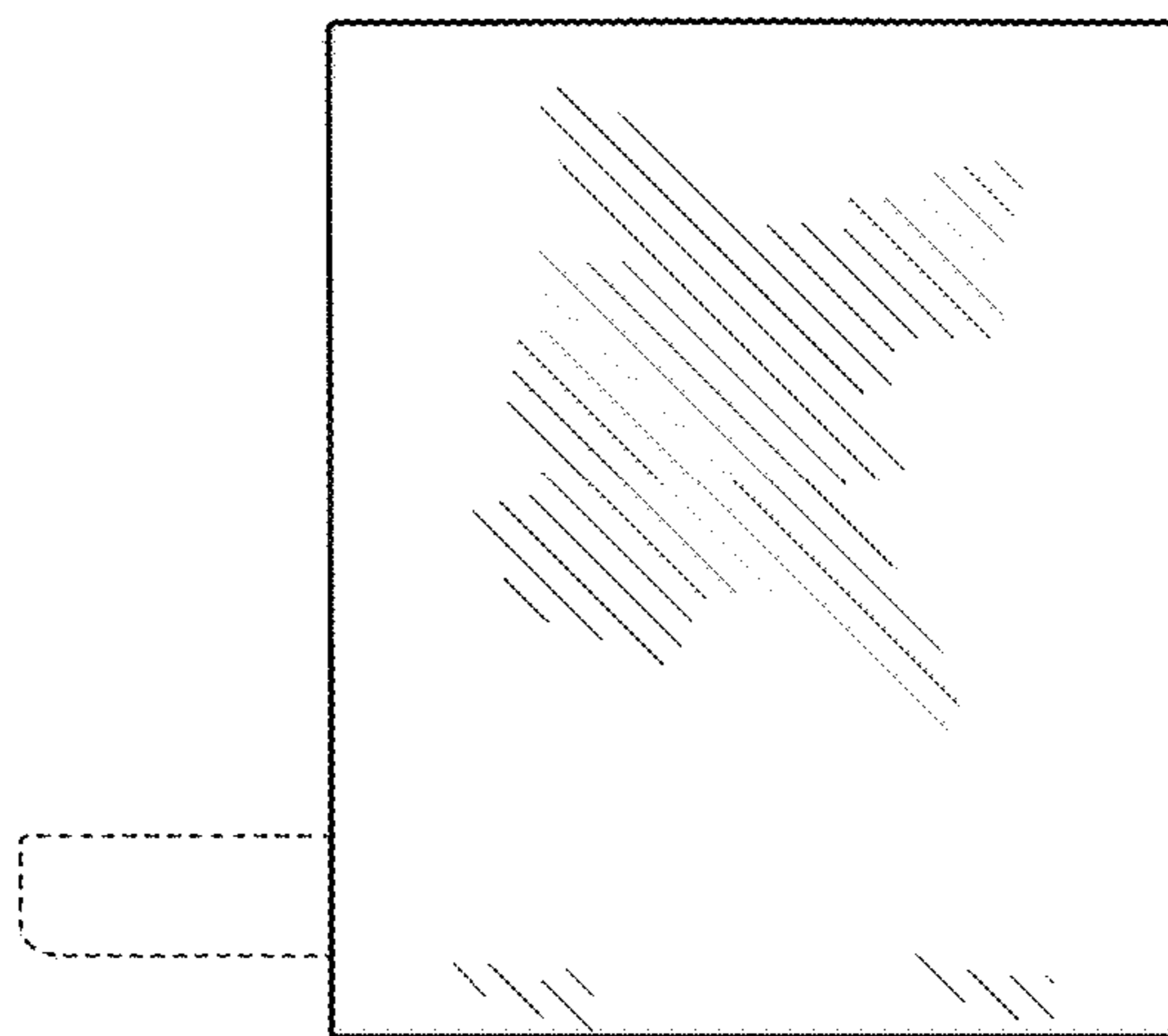


FIG. 3

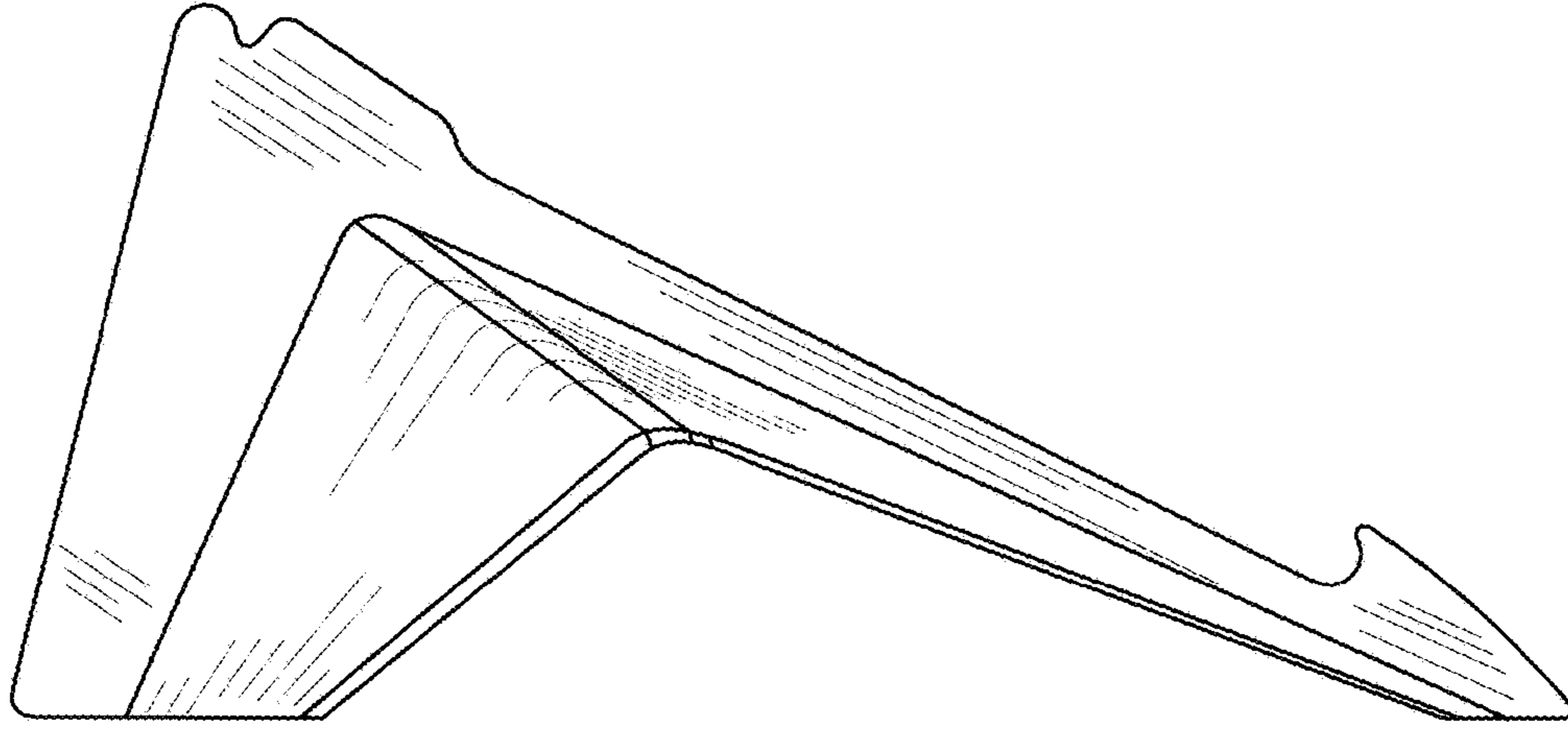


FIG. 4

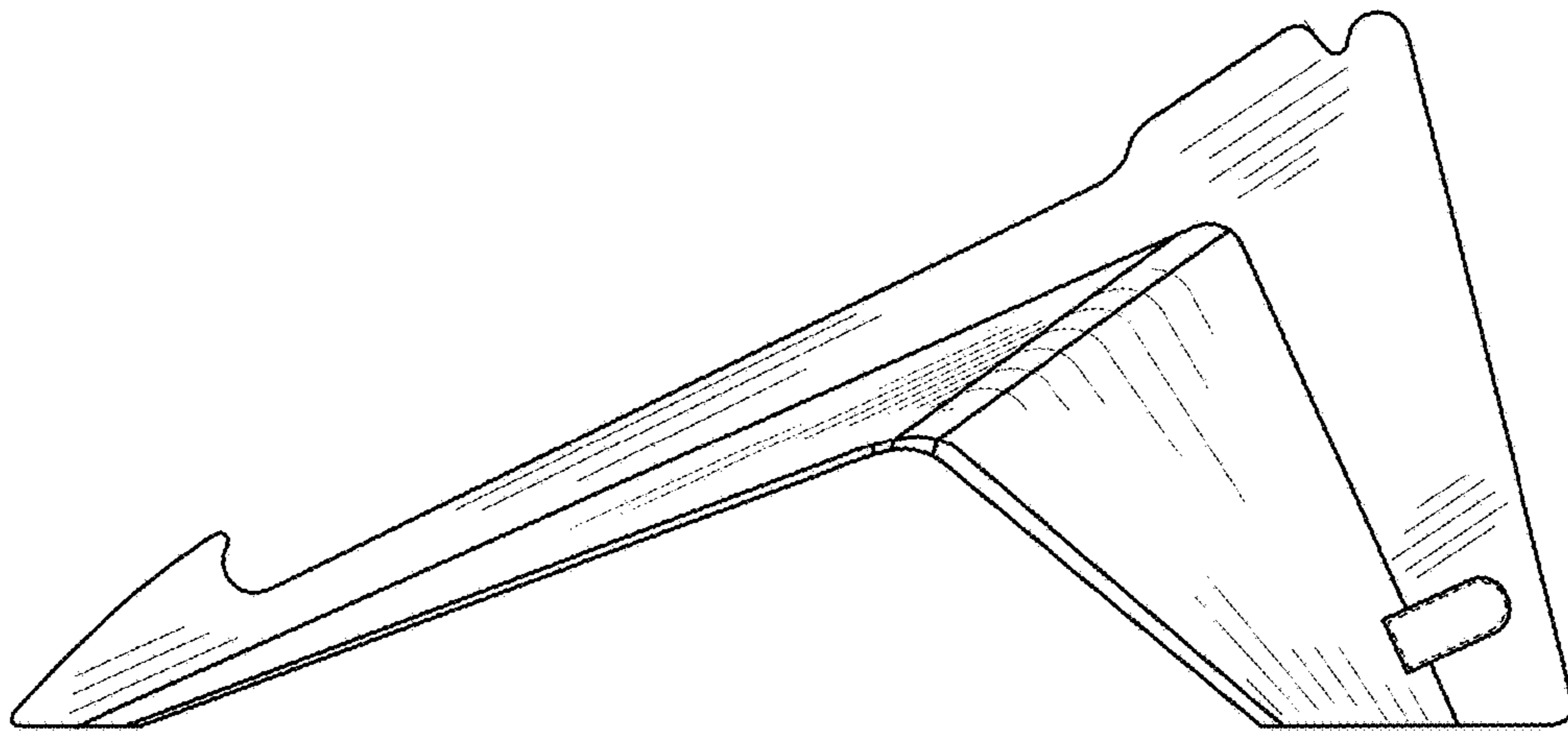


FIG. 5

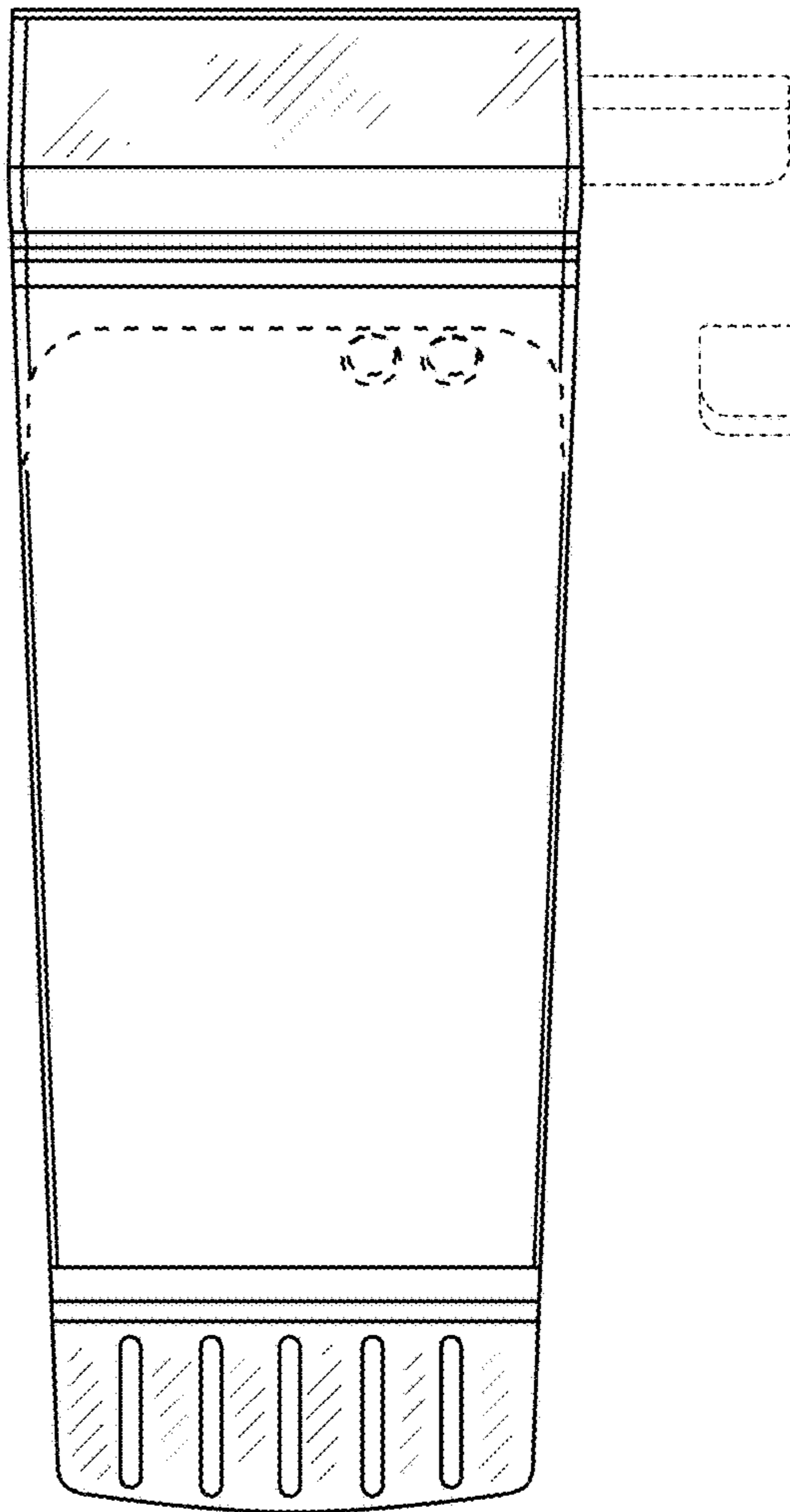


FIG. 6

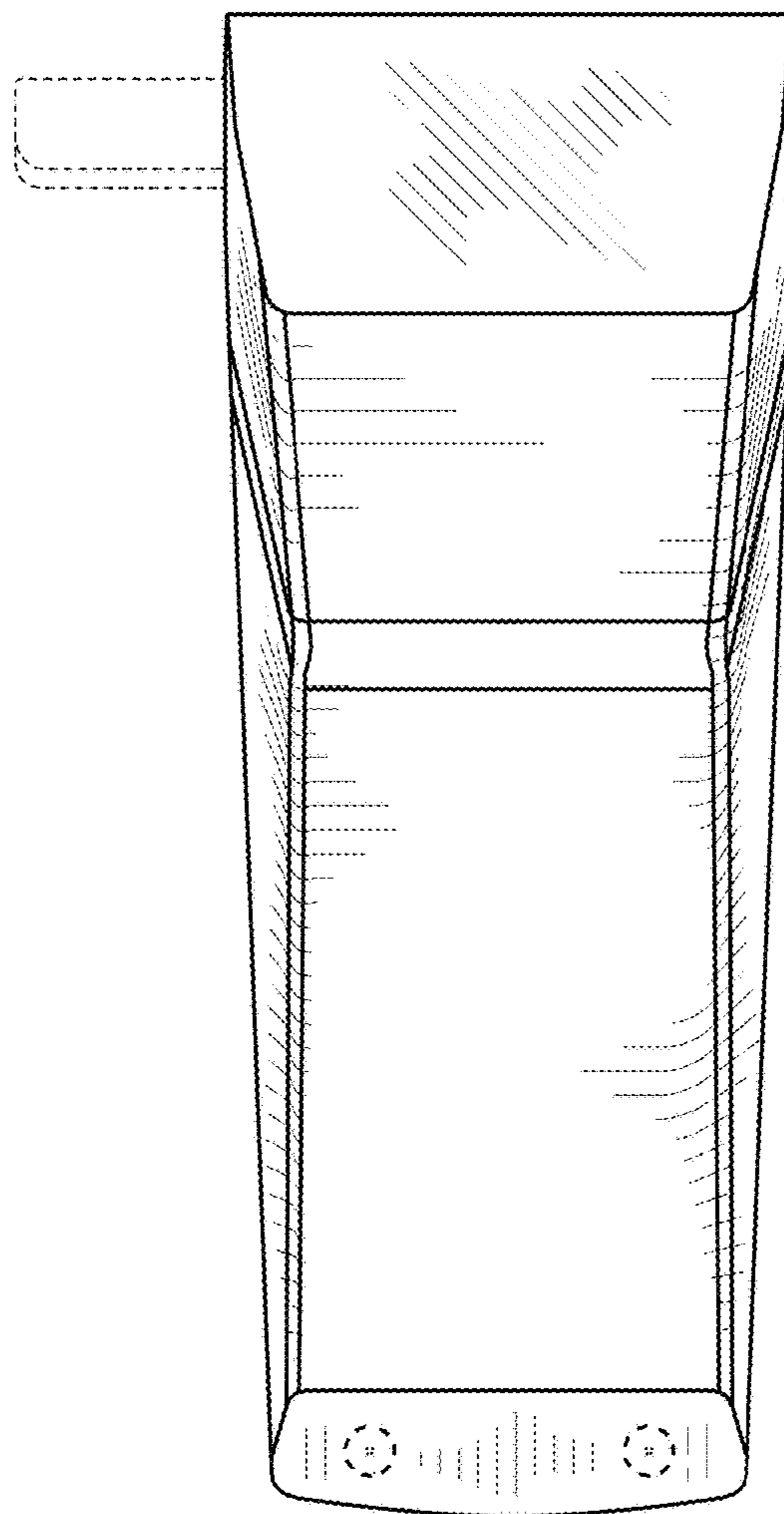


FIG. 7

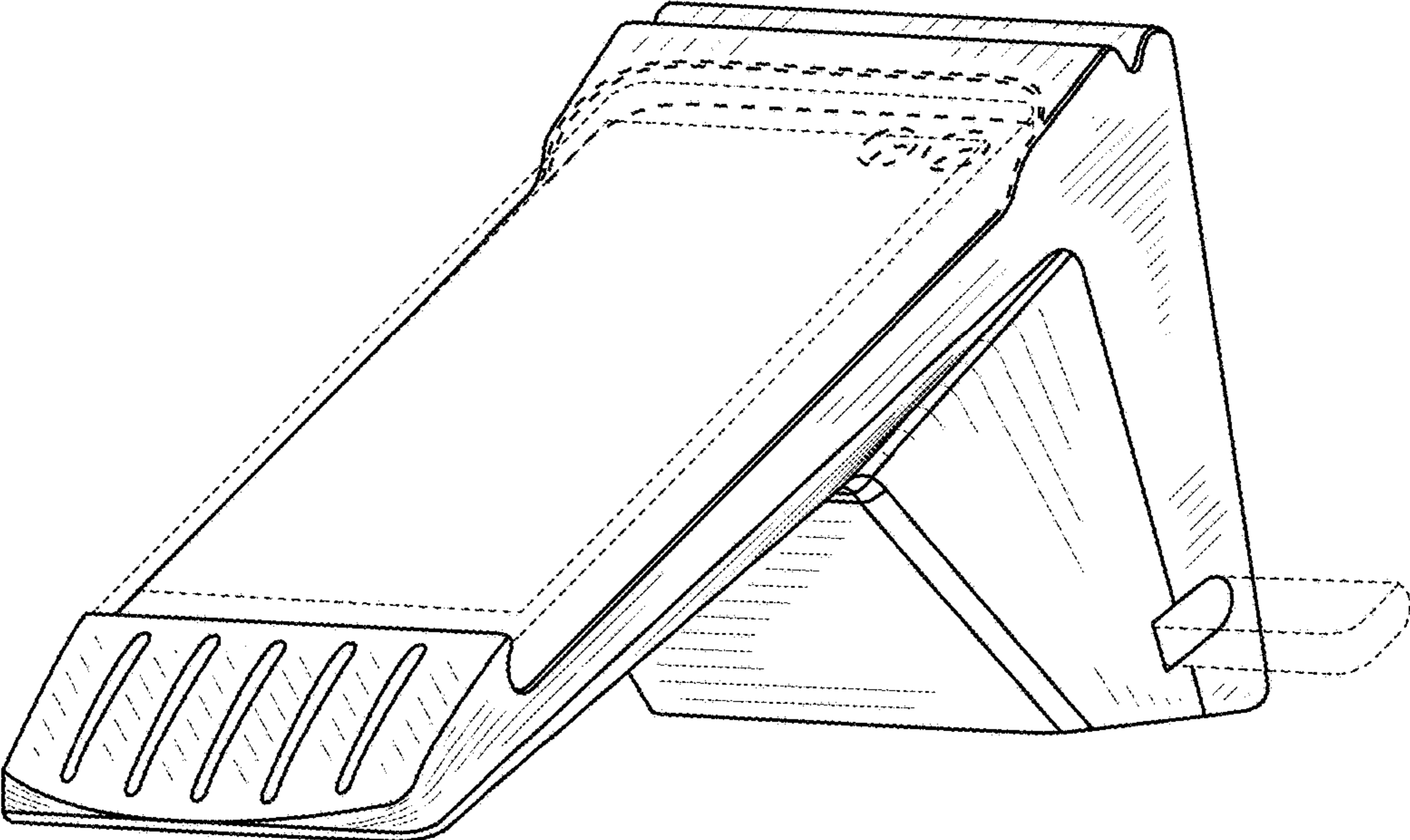


FIG. 8