



US00D787692S

(12) **United States Design Patent** (10) **Patent No.:** **US D787,692 S**
Jones Andersson et al. (45) **Date of Patent:** **** May 23, 2017**

(54) **SENSORY CHEW SIMULATING A SKELETON KEY**

(71) Applicant: **Got-Autism, LLC**, Cincinnati, OH (US)

(72) Inventors: **Tamara L. Jones Andersson**, Loveland, OH (US); **Latasha M. Hartman**, Mason, OH (US); **David L. Hunt**, Cincinnati, OH (US)

(73) Assignee: **Got-Autism, LLC**, Cincinnati, OH (US)

(**) Term: **15 Years**

(21) Appl. No.: **29/562,600**

(22) Filed: **Apr. 27, 2016**

(51) **LOC (10) Cl.** **24-04**

(52) **U.S. Cl.**
USPC **D24/195**

(58) **Field of Classification Search**
USPC D24/193, 194, 195, 214; D30/160;
D1/101, 104, 106, 111, 114, 115, 125,
(Continued)

(56) **References Cited**

U.S. PATENT DOCUMENTS

1,826,943 A * 10/1931 Maker A61J 17/02
606/235
D160,140 S * 9/1950 Binney 446/419
(Continued)

OTHER PUBLICATIONS

“VanAlphenStudio Wooden Key Teethers”. Found online Dec. 12, 2016 at etsy.com. Page dated Oct. 26, 2013. Retrieved from https://www.etsy.com/listing/167031352/wooden-key-teethers-wooden-teether-key.*

(Continued)

Primary Examiner — Robert M Spear
Assistant Examiner — Kendra L Hamilton
(74) *Attorney, Agent, or Firm* — Wood Herron & Evans LLP

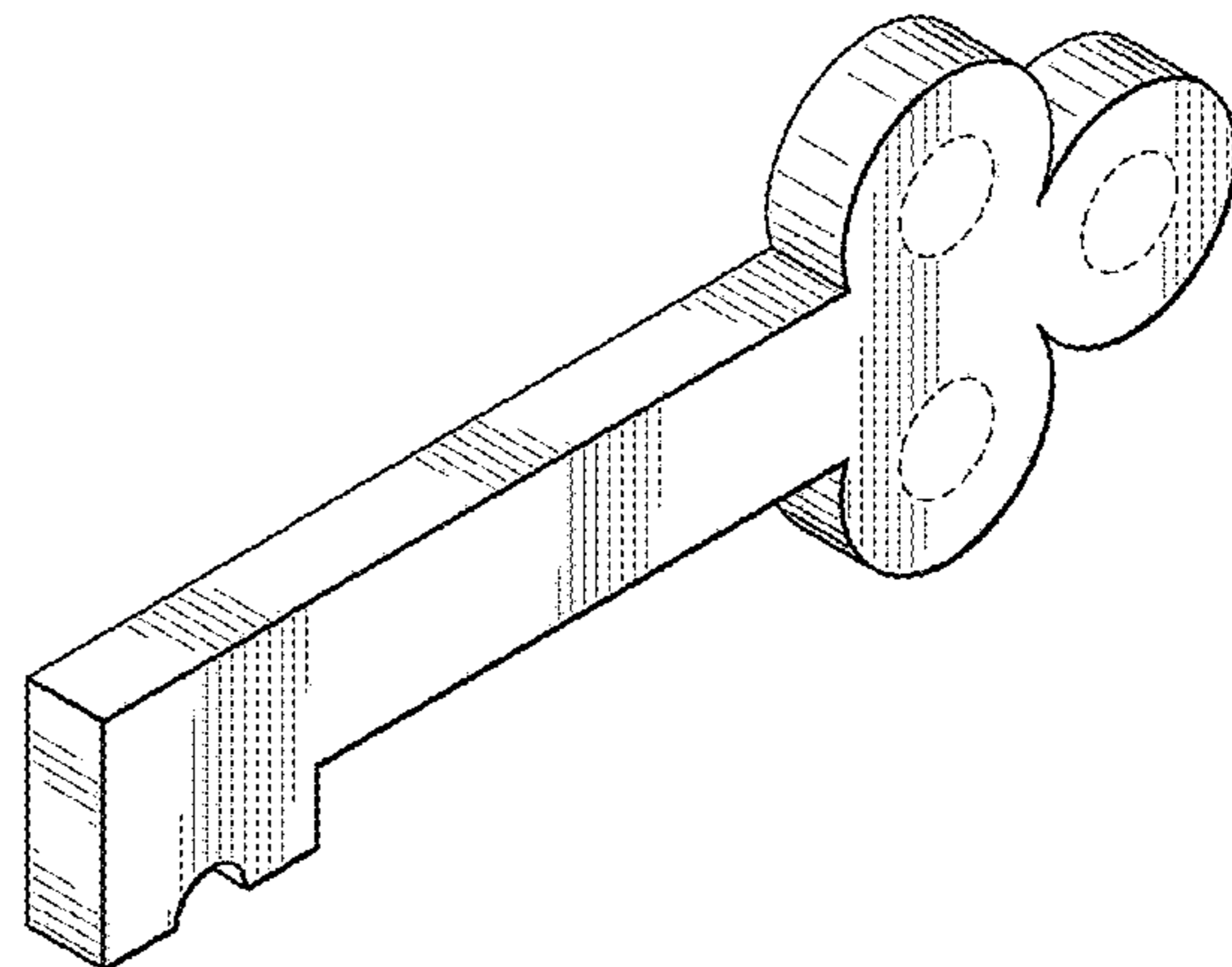
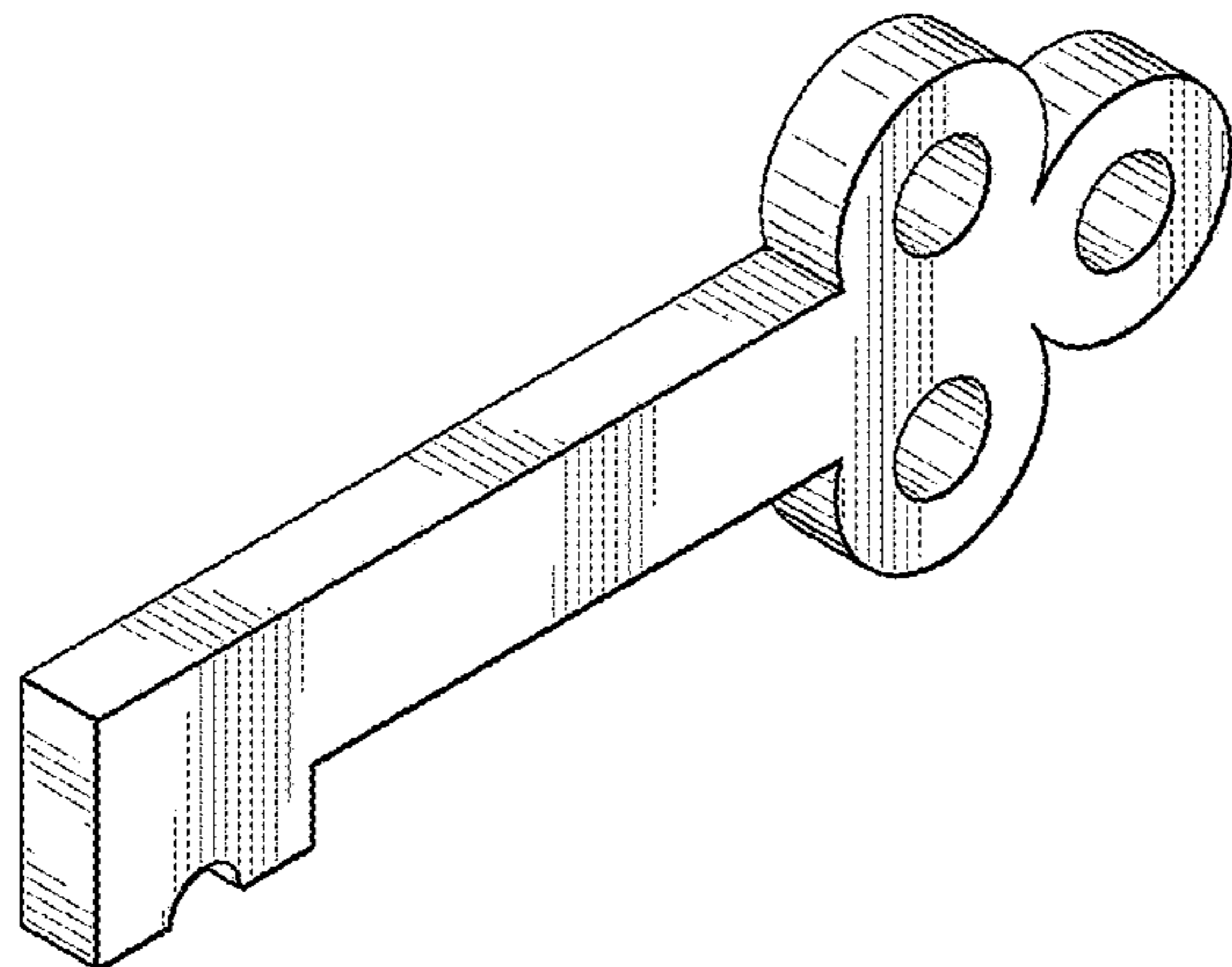
(57) **CLAIM**

The ornamental design for a sensory chew simulating a skeleton key, as shown and described.

DESCRIPTION

FIG. 1 is a front isometric view of a first embodiment of our new sensory chew simulating a skeleton key;
FIG. 2 is a rear isometric view of the invention of FIG. 1;
FIG. 3 is a front elevation view of the invention of FIG. 1;
FIG. 4 is a rear elevation view of the invention of FIG. 1;
FIG. 5 is a top plan view of the invention of FIG. 1;
FIG. 6 is a bottom plan view of the invention of FIG. 1;
FIG. 7 is a right side elevation view of the invention of FIG. 1; and
FIG. 8 is a left side elevation view of the invention of FIG. 1;
FIG. 9 is a front isometric view of a second embodiment of our new sensory chew simulating a skeleton key;
FIG. 10 is a rear isometric view of the invention of FIG. 9;
FIG. 11 is a front elevation view of the invention of FIG. 9;
FIG. 12 is a rear elevation view of the invention of FIG. 9;
FIG. 13 is a top plan view of the invention of FIG. 9;
FIG. 14 is a bottom plan view of the invention of FIG. 9;
FIG. 15 is a right side elevation view of the invention of FIG. 9; and,
FIG. 16 is a left side elevation view of the invention of FIG. 9.
The broken dash lines comprise claim boundaries. Neither the portions inside the broken dash lines nor the broken dash lines themselves form any part of the claimed invention.

1 Claim, 4 Drawing Sheets



(58) **Field of Classification Search**

USPC D1/199; D21/483, 514, 576, 587, 588,
D21/606, 607, 608, 610; 606/235
CPC A61J 17/02

See application file for complete search history.

2009/0112260 A1* 4/2009 Renko A61J 17/02
606/235
2013/0053885 A1* 2/2013 Sarver A61J 17/02
606/235
2015/0257366 A1* 9/2015 Gick A01K 15/026
119/710

(56)

References Cited

U.S. PATENT DOCUMENTS

D264,880 S * 6/1982 Panicci D21/408
D314,621 S * 2/1991 Bernstein D24/195
D395,515 S * 6/1998 Fletcher D24/195
D503,998 S * 4/2005 Axelrod D30/160
D598,118 S * 8/2009 Schiavoni D24/194
8,057,512 B1 * 11/2011 Gibson A61J 17/02
606/235
D661,479 S * 6/2012 Wu D3/211
D680,417 S * 4/2013 Crepinsek D8/347

OTHER PUBLICATIONS

“Safe Key Icon”. Found online Dec. 19, 2016 at softicons.com. Page dated Jan. 4, 2014. Retrieved from <http://www.softicons.com/business-icons/free-e-commerce-icons-by-design-bolts/safe-key-icon>.*

“Nylabone Just for Puppies Key Ring”. Found online Dec. 12, 2016 at amazon.com. Page dated May 9, 2007. Retrieved from https://www.amazon.com/Nylabone-Puppies-Medium-Puppy-Teething/dp/B0010P32E0/ref=cm_cr_ar_p_d_product_top?ie=UTF8.*

“The First Year’s Learning Curve First Keys Teether”. Found online Dec. 12, 2016 at amazon.com. Page dated Nov. 15, 2012. Retrieved from <http://www.amazon.in/First-Years-Learning-Teether-3-Pack/dp/B004RCSG80>.*

* cited by examiner

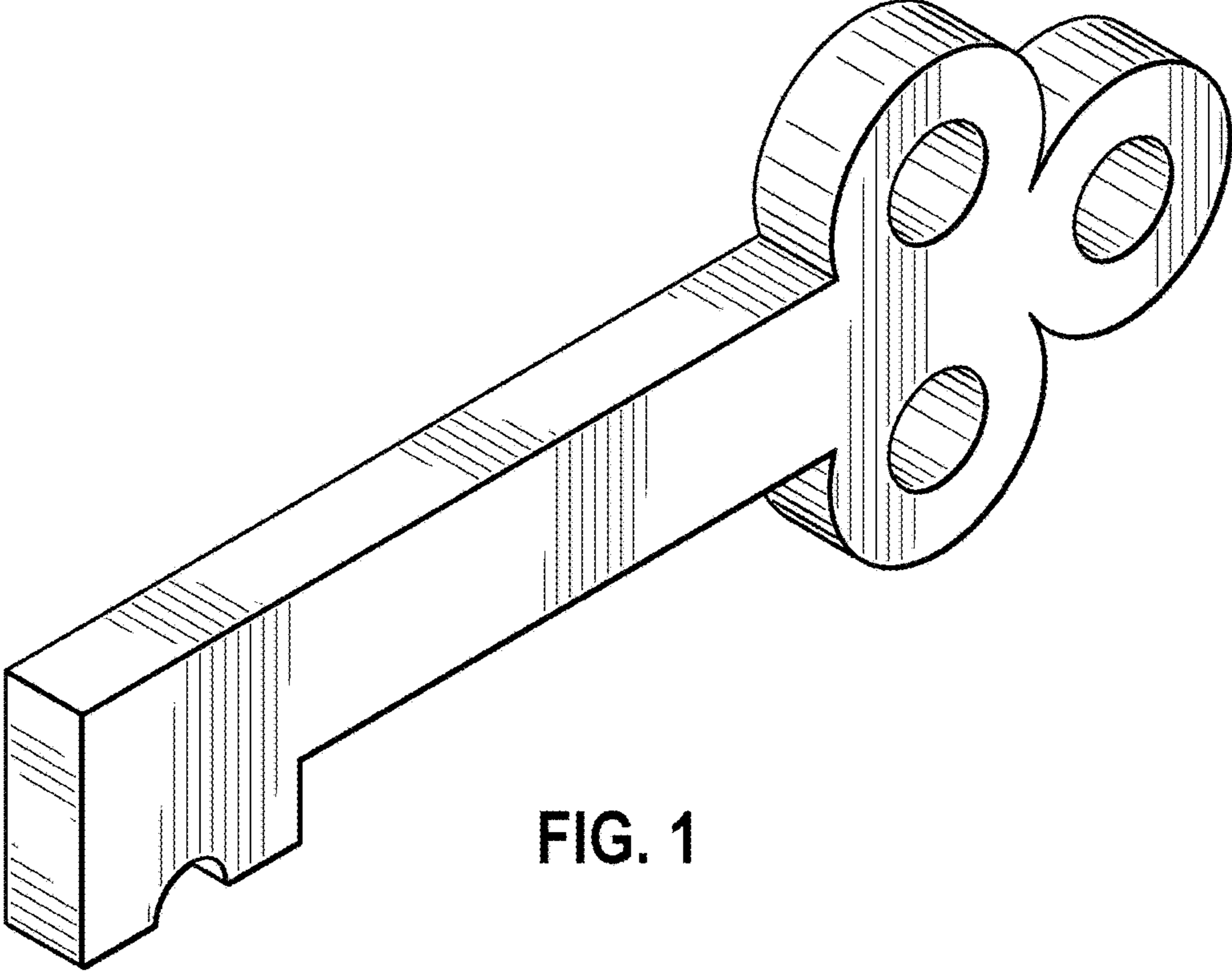


FIG. 1

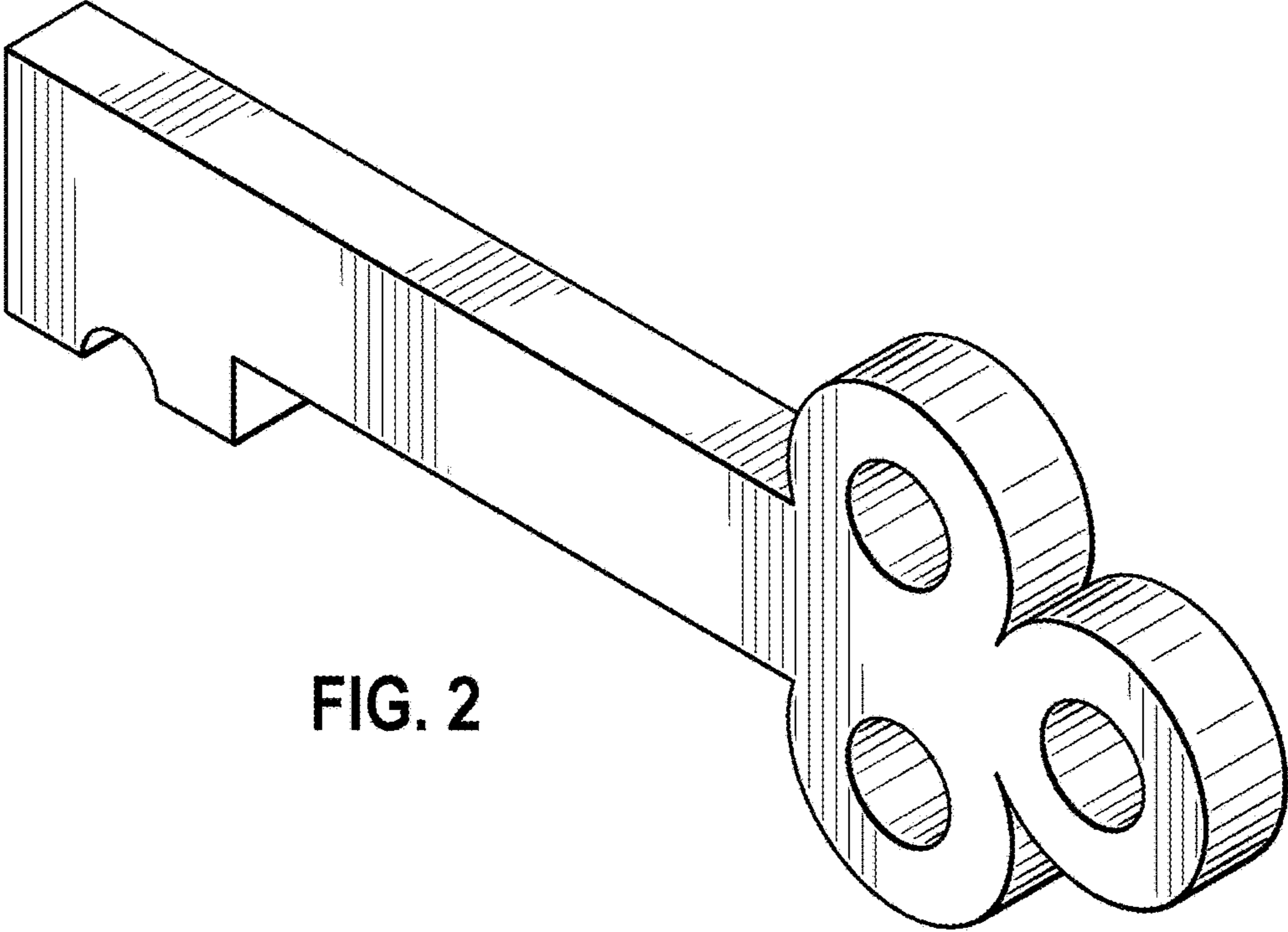


FIG. 2

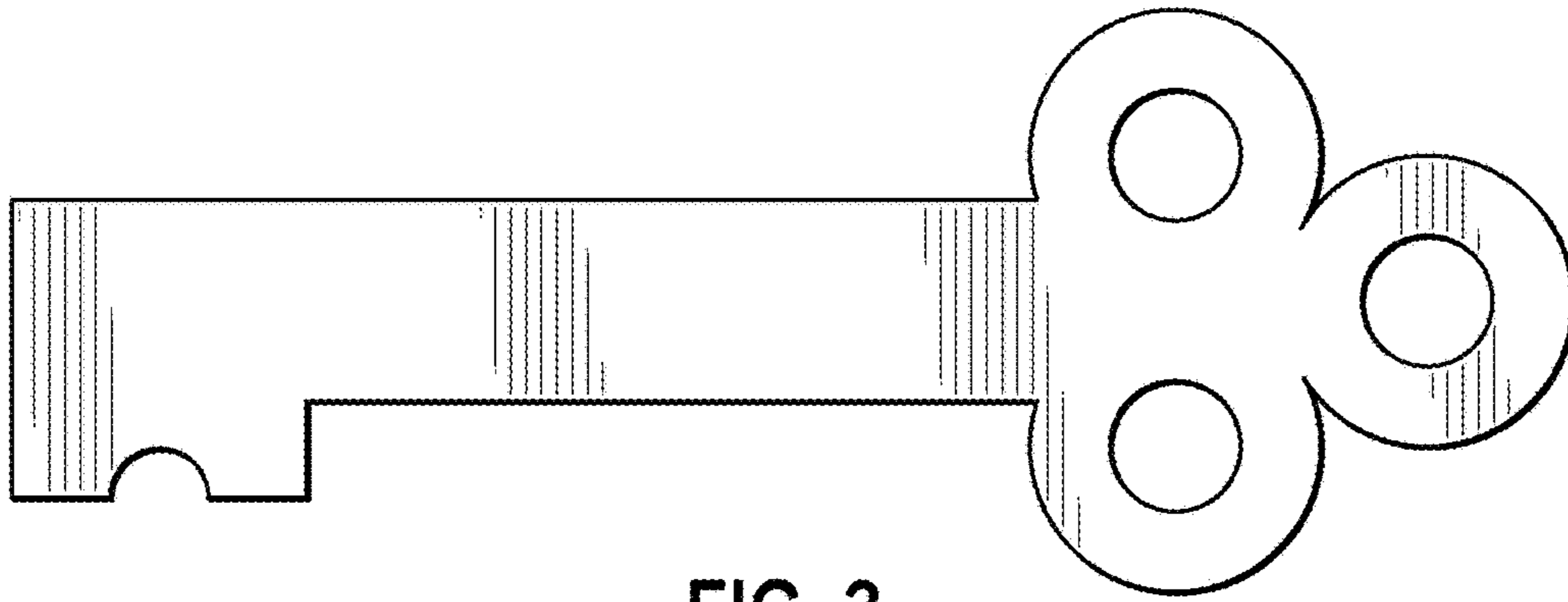


FIG. 3

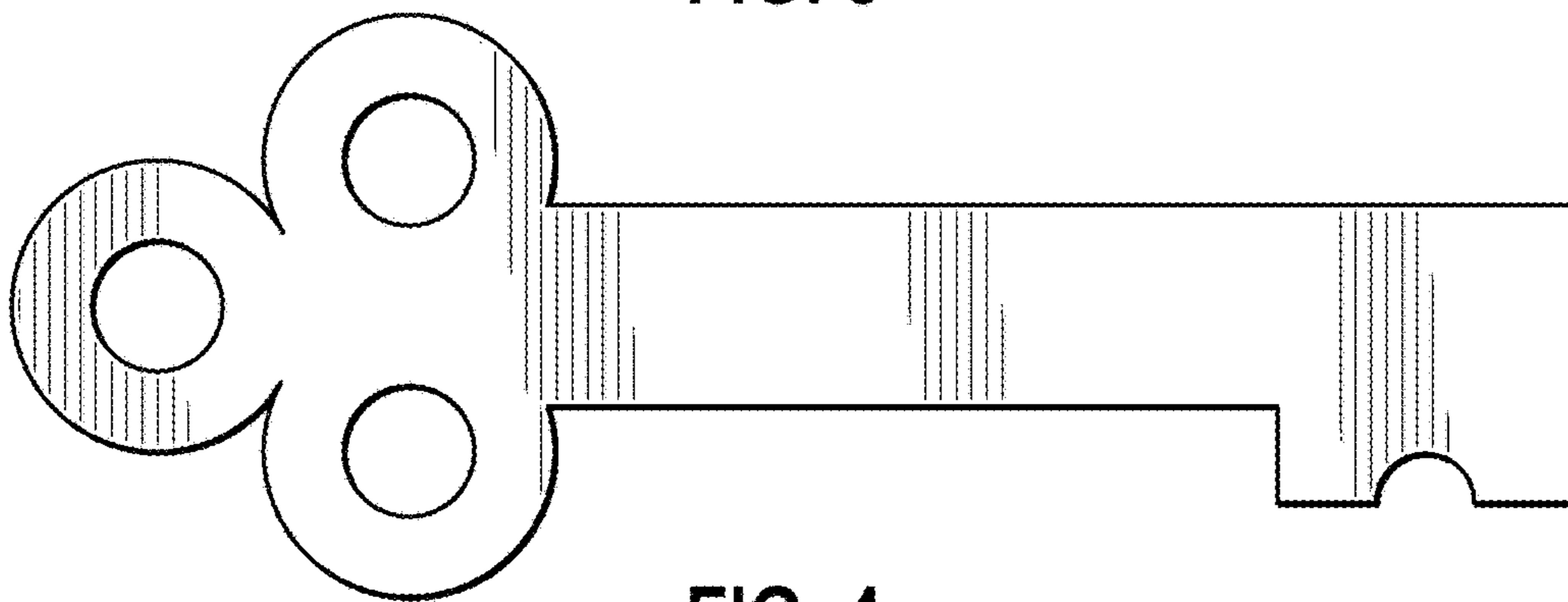


FIG. 4



FIG. 5

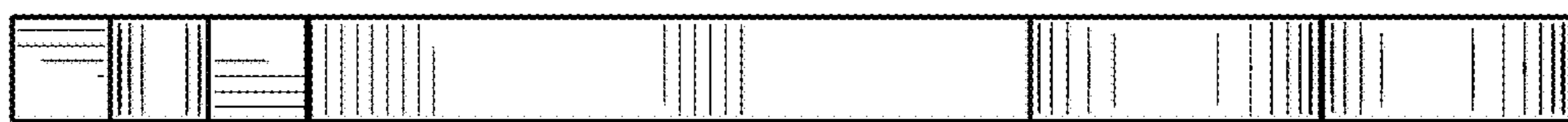


FIG. 6

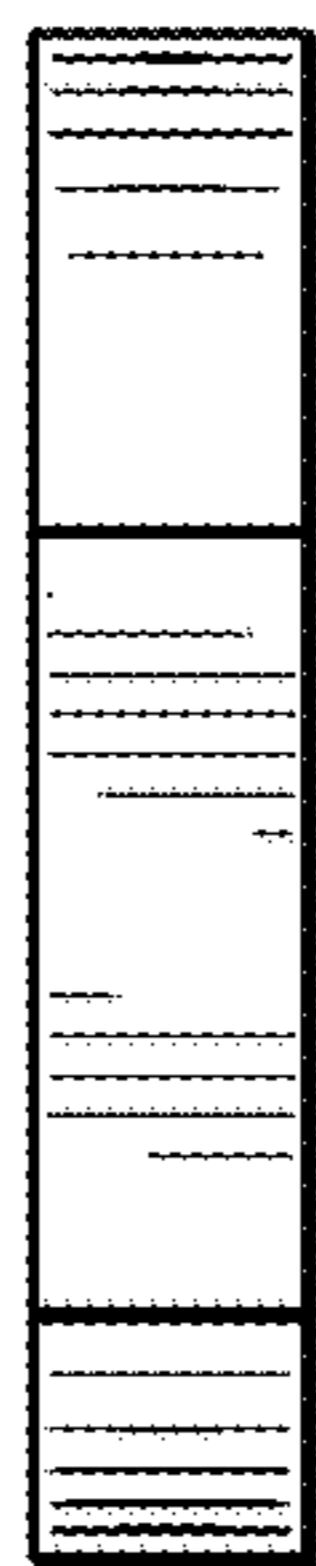


FIG. 7



FIG. 8

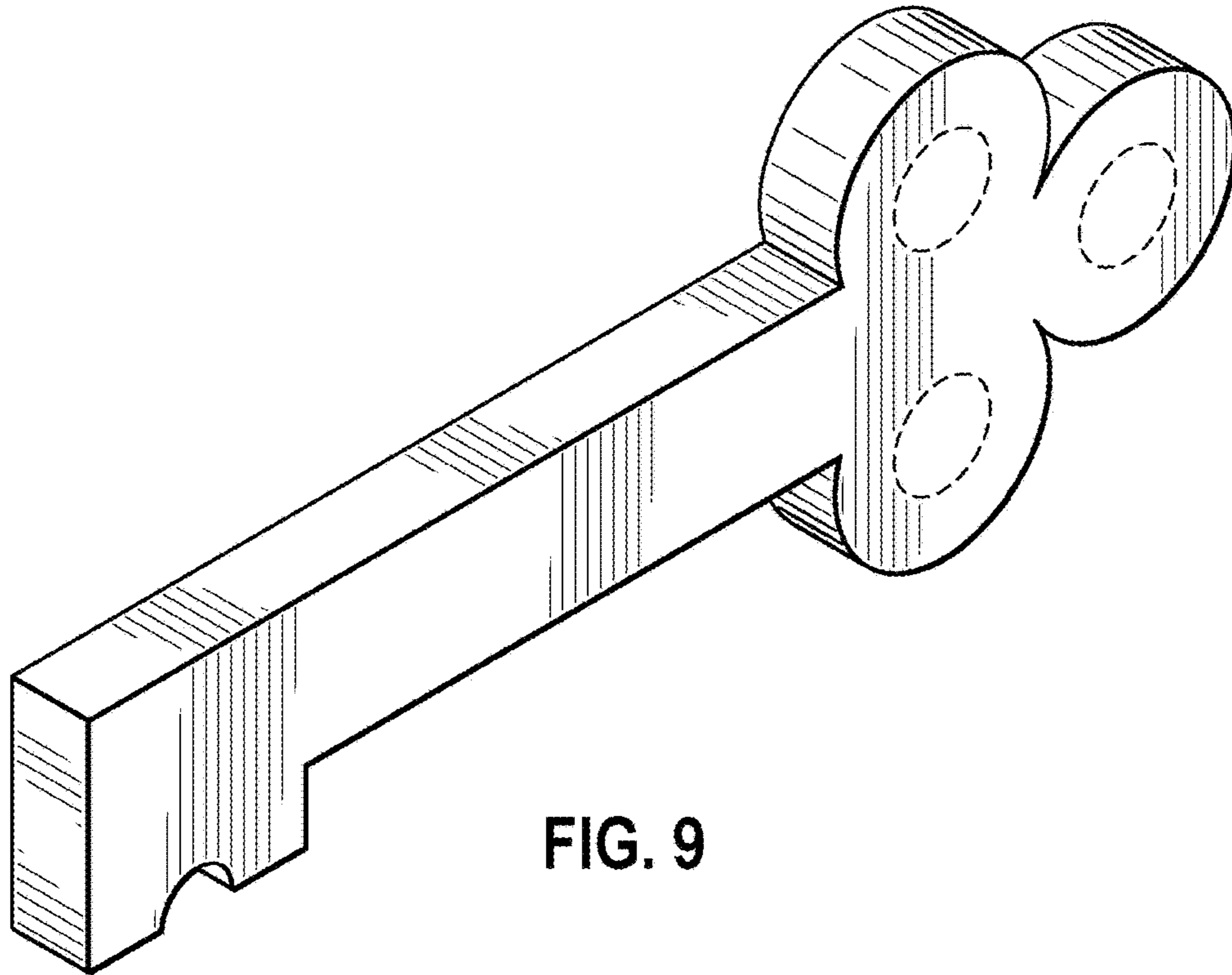


FIG. 9

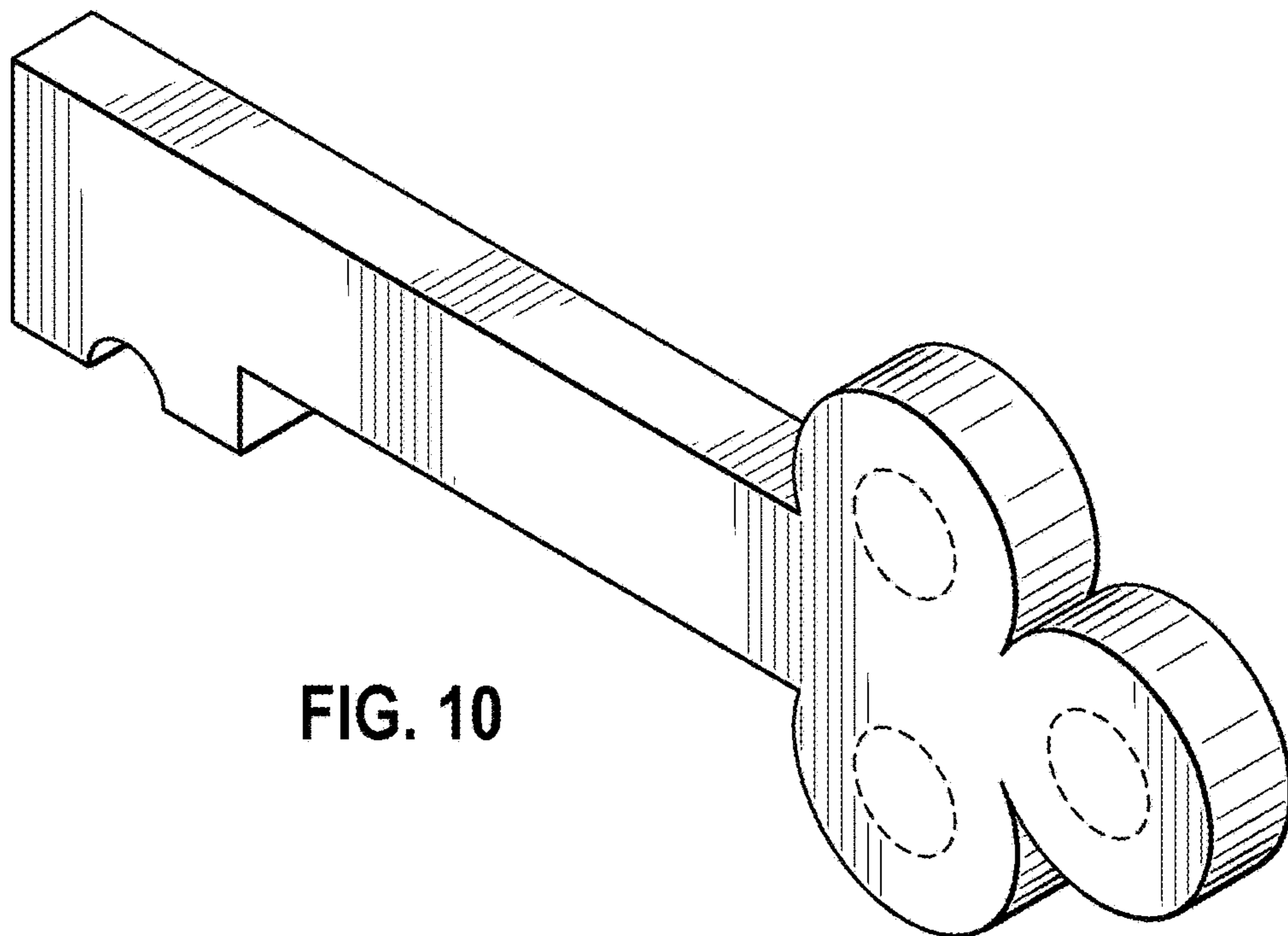


FIG. 10

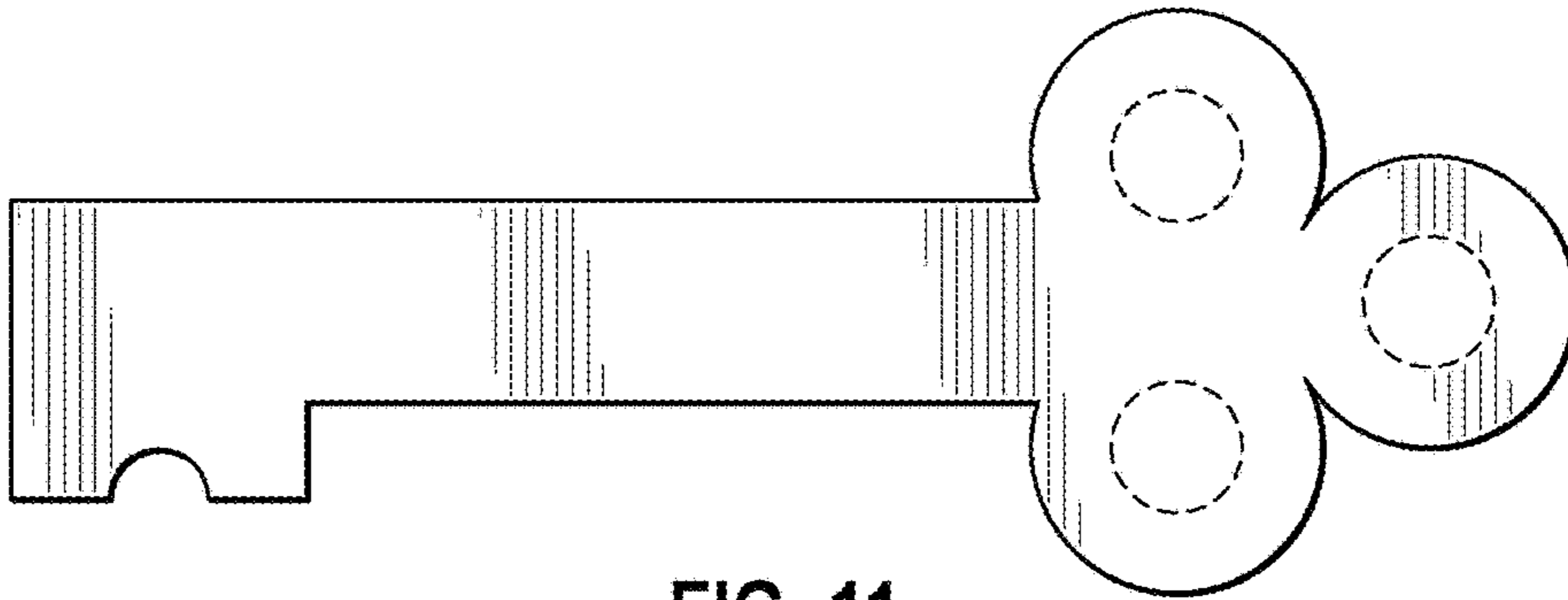


FIG. 11

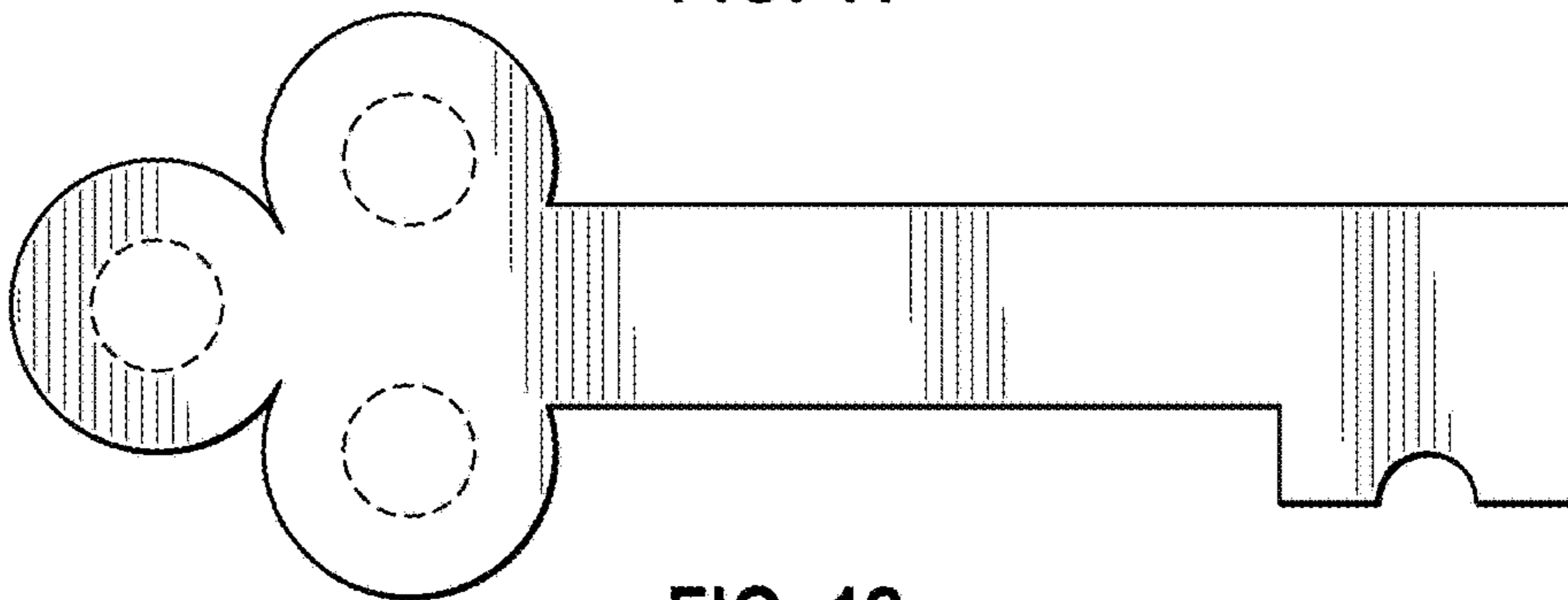


FIG. 12



FIG. 13

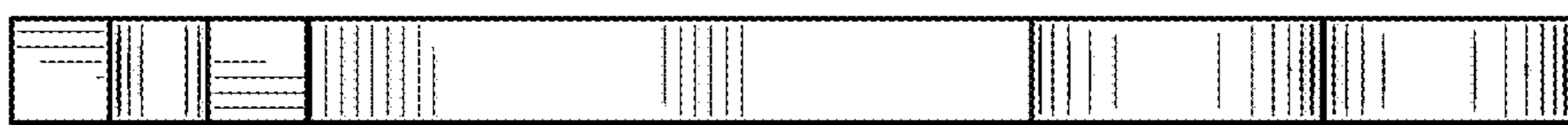


FIG. 14



FIG. 15

FIG. 16