



US00D787691S

(12) **United States Design Patent**
Jones Andersson et al.

(10) **Patent No.:** **US D787,691 S**
(45) **Date of Patent:** **** May 23, 2017**

(54) **SENSORY CHEW SIMULATING A DOG TAG**

(71) Applicant: **Got-Autism, LLC**, Cincinnati, OH (US)

(72) Inventors: **Tamara L. Jones Andersson**, Loveland, OH (US); **Latasha M. Hartman**, Mason, OH (US); **David L. Hunt**, Cincinnati, OH (US)

(73) Assignee: **Got-Autism, LLC**, Cincinnati, OH (US)

(**) Term: **15 Years**

(21) Appl. No.: **29/562,592**

(22) Filed: **Apr. 27, 2016**

(51) **LOC (10) Cl.** **24-04**

(52) **U.S. Cl.**
USPC **D24/195**

(58) **Field of Classification Search**
USPC D24/193, 194, 195, 214; D30/160;
D1/101, 104, 106, 111, 114, 115, 125,
(Continued)

(56) **References Cited**

U.S. PATENT DOCUMENTS

D264,880 S * 6/1982 Panicci D21/408
D298,777 S * 11/1988 Gorman D24/194
(Continued)

OTHER PUBLICATIONS

“Chewbeads Juniorbeads Military Dog Tag for Children”. Found online Dec. 12, 2016 at amazon.com. Page dated Dec. 3, 2014. Retrieved from https://www.amazon.com/Chewbeads-Juniorbeads-Military-Dog-Children/dp/B00NU1ZX6M/ref=cm_cr_ar_p_d_product_top?ie=UTF8&th=1.*

(Continued)

Primary Examiner — Robert M Spear

Assistant Examiner — Kendra L Hamilton

(74) *Attorney, Agent, or Firm* — Wood Herron & Evans LLP

(57) **CLAIM**

The ornamental design for a sensory chew simulating a dog tag, as shown and described.

DESCRIPTION

FIG. 1 is a front isometric view of a first embodiment of our new sensory chew simulating a dog tag;

FIG. 2 is a rear isometric view of the invention of FIG. 1;

FIG. 3 is a front elevation view of the invention of FIG. 1;

FIG. 4 is a rear elevation view of the invention of FIG. 1;

FIG. 5 is a top plan view of the invention of FIG. 1;

FIG. 6 is a bottom plan view of the invention of FIG. 1;

FIG. 7 is a right side elevation view of the invention of FIG. 1; and

FIG. 8 is a left side elevation view of the invention of FIG. 1;

FIG. 9 is a front isometric view of a second embodiment of our new sensory chew simulating a dog tag;

FIG. 10 is a rear isometric view of the invention of FIG. 9;

FIG. 11 is a front elevation view of the invention of FIG. 9;

FIG. 12 is a rear elevation view of the invention of FIG. 9;

FIG. 13 is a top plan view of the invention of FIG. 9;

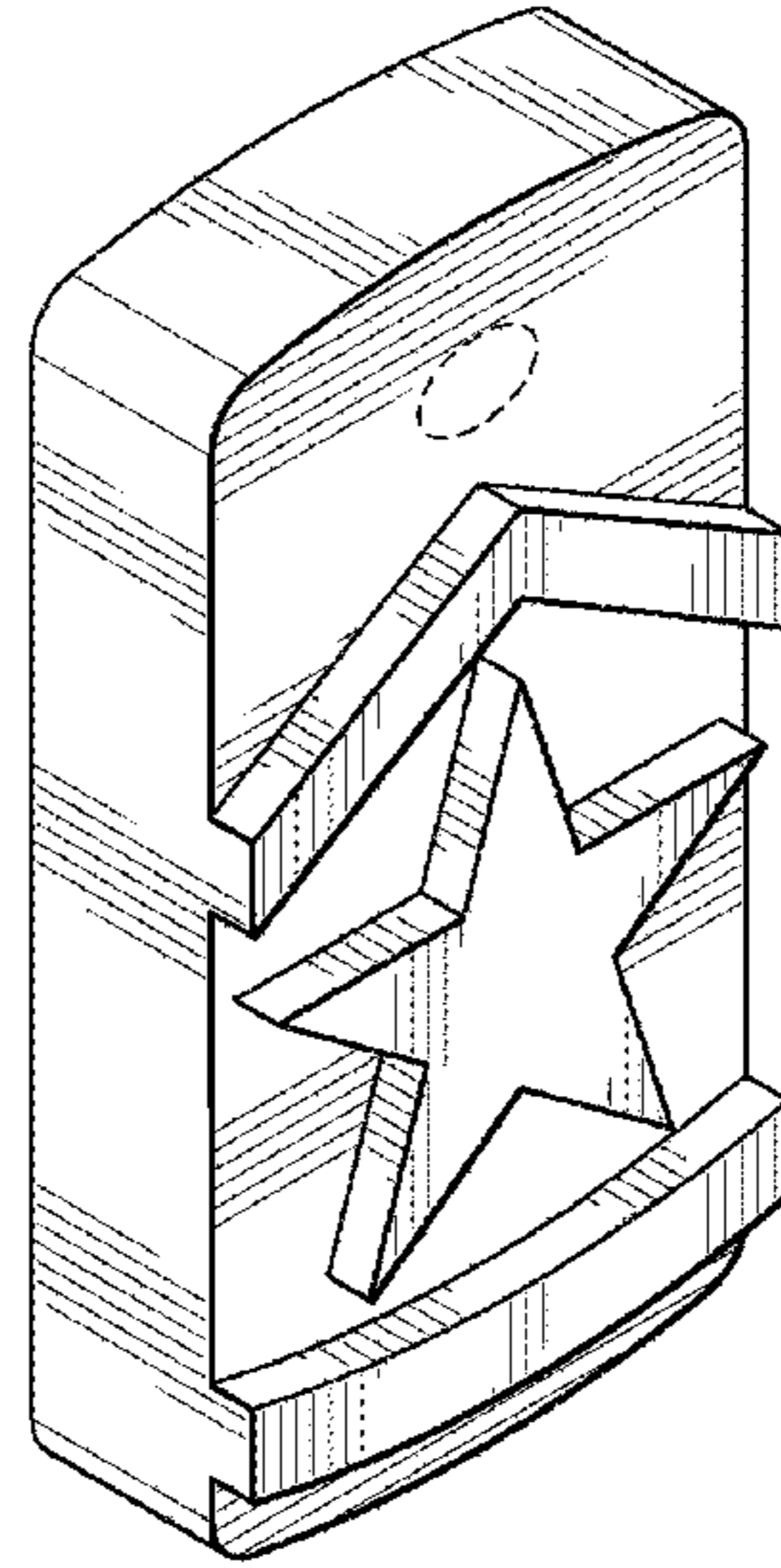
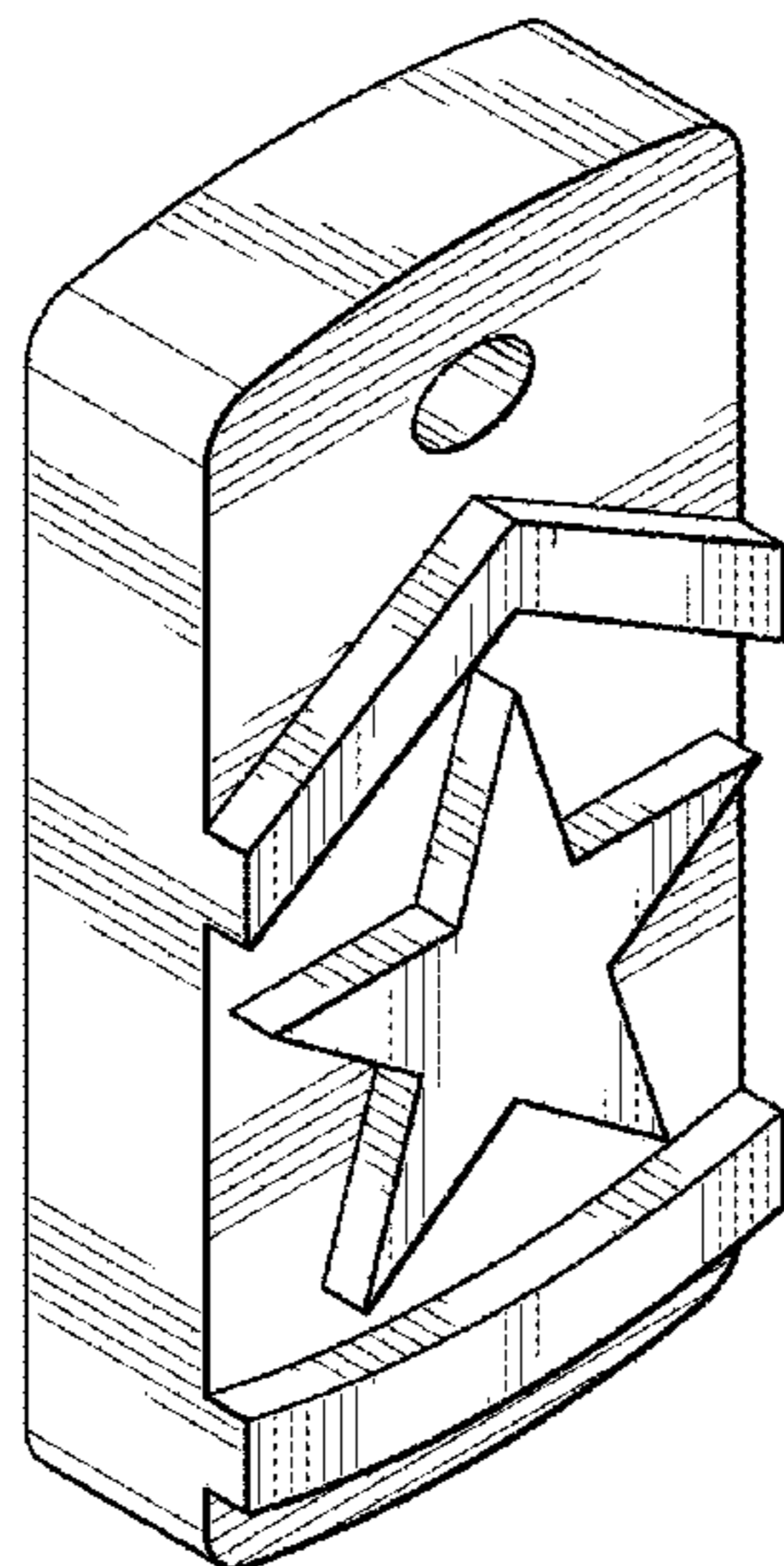
FIG. 14 is a bottom plan view of the invention of FIG. 9;

FIG. 15 is a right side elevation view of the invention of FIG. 9; and,

FIG. 16 is a left side elevation view of the invention of FIG. 9.

The broken dash lines comprise claim boundaries. Neither the portions inside the broken dash lines nor the broken dash lines themselves form any part of the claimed invention.

1 Claim, 6 Drawing Sheets



(58) **Field of Classification Search**

USPC D1/199; D21/483, 514, 576, 587, 588,
D21/606, 607, 608, 610; 606/235

CPC A61J 17/02

See application file for complete search history.

2003/0236556 A1* 12/2003 Dickerson A61J 17/02
606/235
2012/0203277 A1* 8/2012 Forestieri A61J 17/02
606/235
2013/0053885 A1* 2/2013 Sarver A61J 17/02
606/235

(56)

References Cited

U.S. PATENT DOCUMENTS

D339,196 S * 9/1993 Spence, Jr. D24/195
D373,450 S * 9/1996 O'Rourke D30/160
D395,515 S * 6/1998 Fletcher D24/195
D395,516 S * 6/1998 Fletcher D24/195
D493,493 S * 7/2004 Howard D20/27
D515,273 S * 2/2006 Haro D1/106
D546,026 S * 7/2007 Ellsworth D1/106
D575,187 S * 8/2008 Mitchell D11/95

OTHER PUBLICATIONS

“Dog Tag Chewies”. Found online Dec. 12, 2016 at funandfunction.com. Page dated Oct. 6, 2014. Retrieved from https://funandfunction.com/. . . nteresrt%20Buy%20Button&utm_medium=Social&utm_source=Pinterest&utm_content=pinterest-buy-button-1755719d5-f604-4605-8fed-c11b5b24fb39.*

“24” Stainless Steel and Leather Diamond Accent Dog Tag Pendant”. Found online Dec. 13, 2016 at shopmyexchange.com. Page dated Oct. 13, 2014. Retrieved from <https://web.archive.org/web/20141013224613/http://www.shopmyexchange.com/24-stainless-steel-and-leather-diamond-accent-dog-tag-pendant/6778979>.*

* cited by examiner

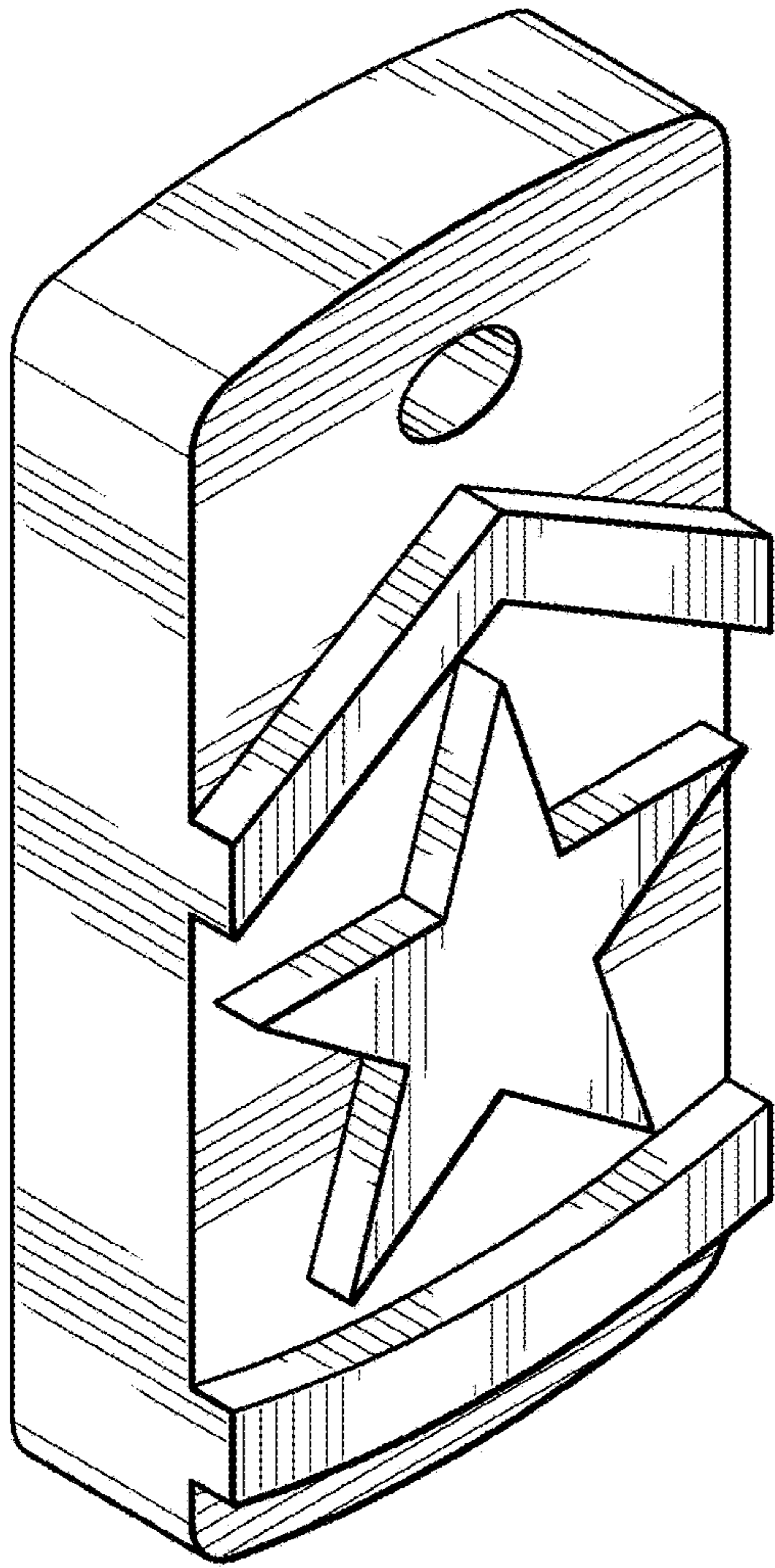


FIG. 1

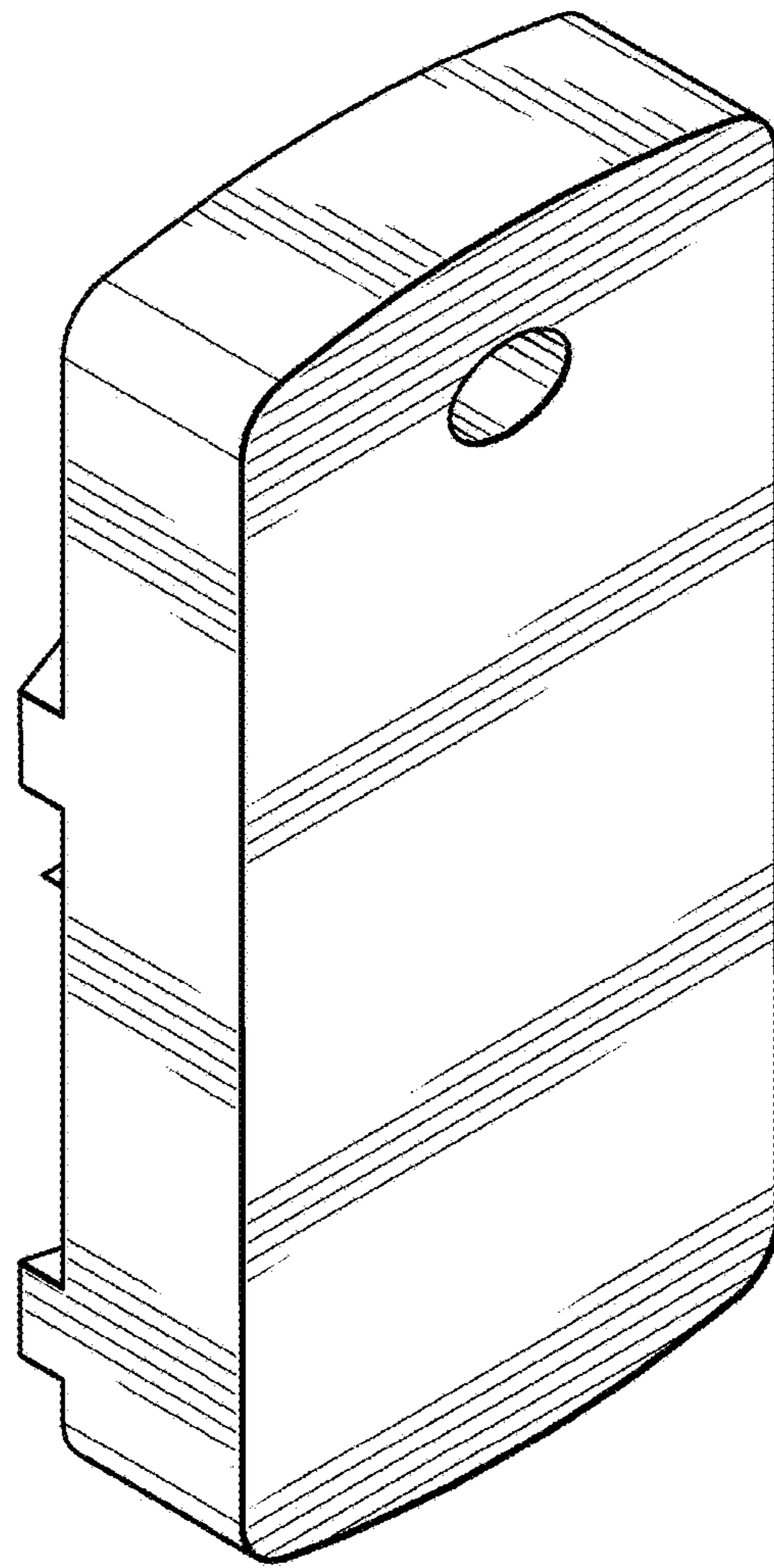


FIG. 2

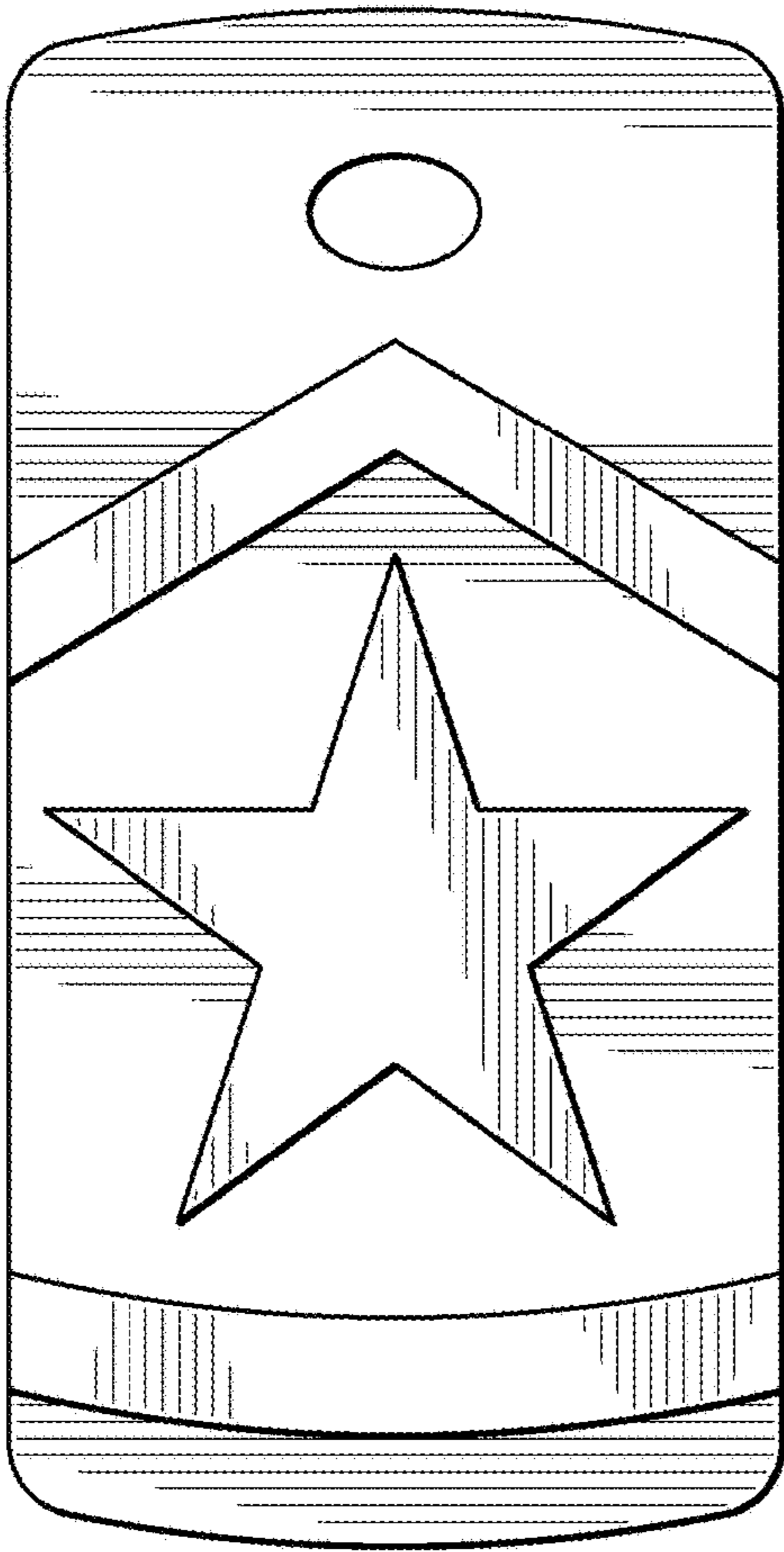


FIG. 3

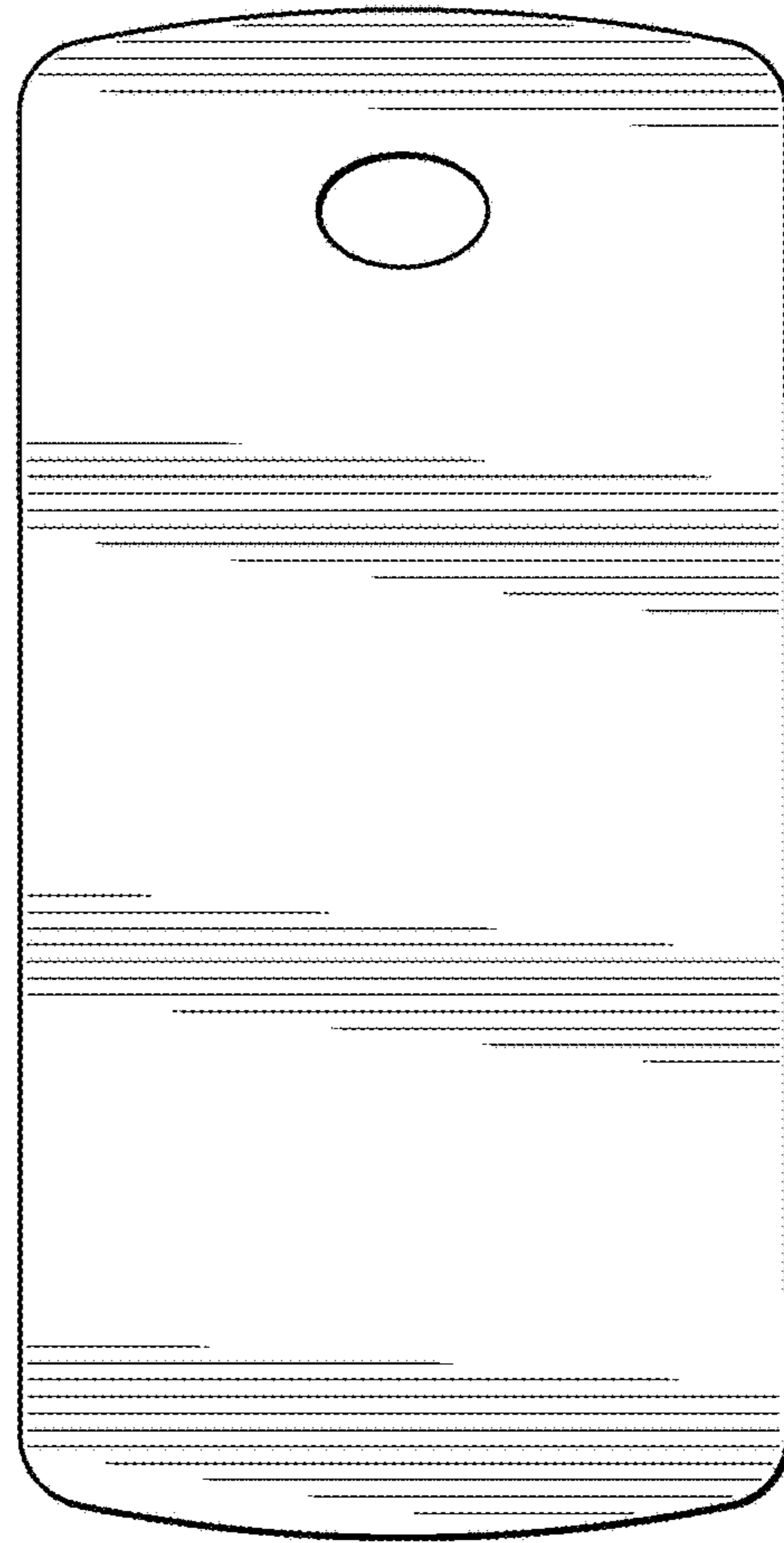


FIG. 4

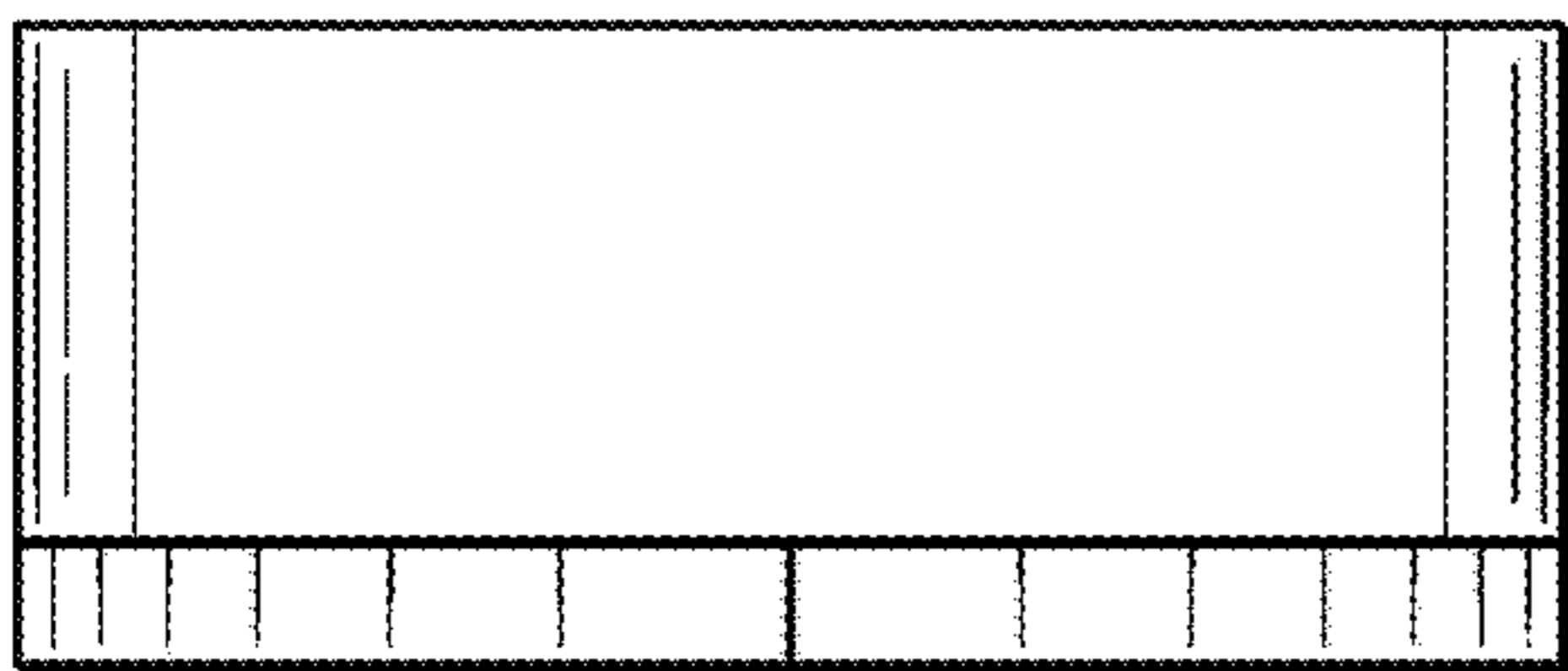


FIG. 5

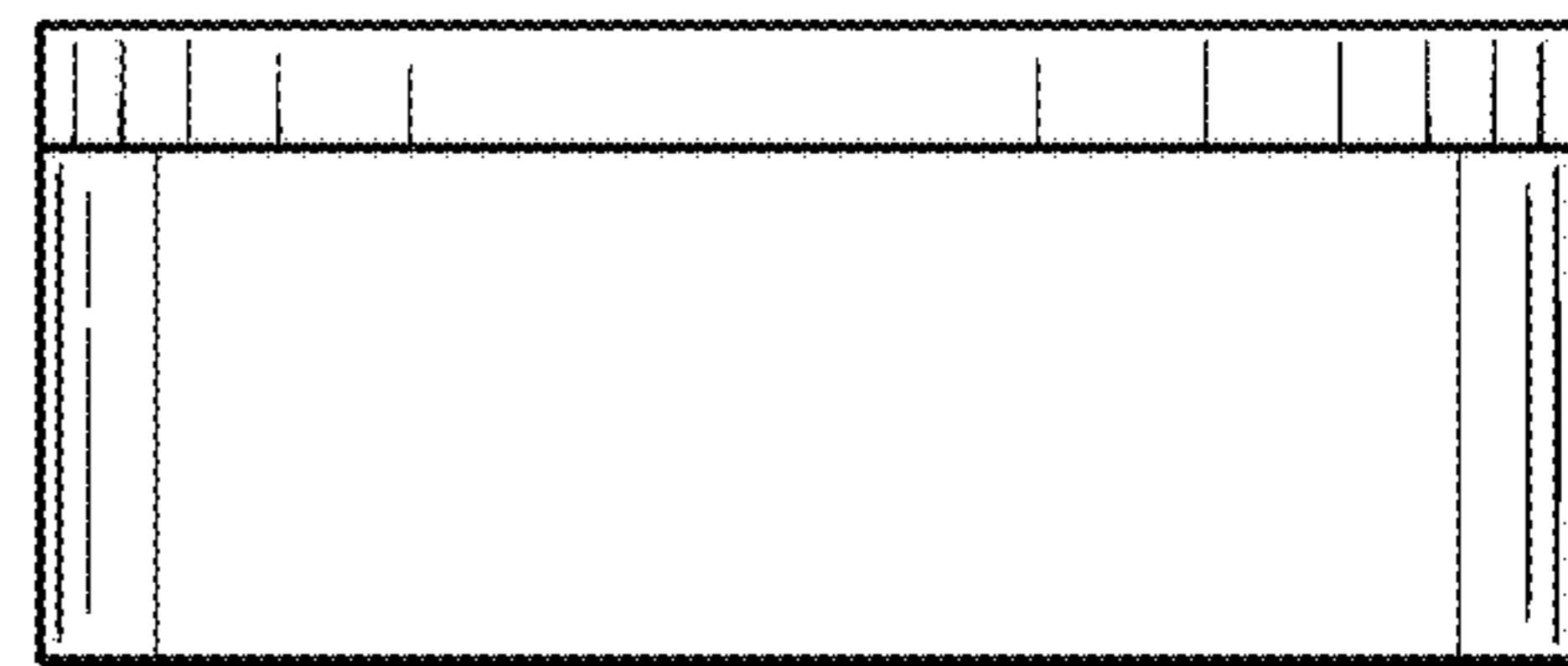


FIG. 6

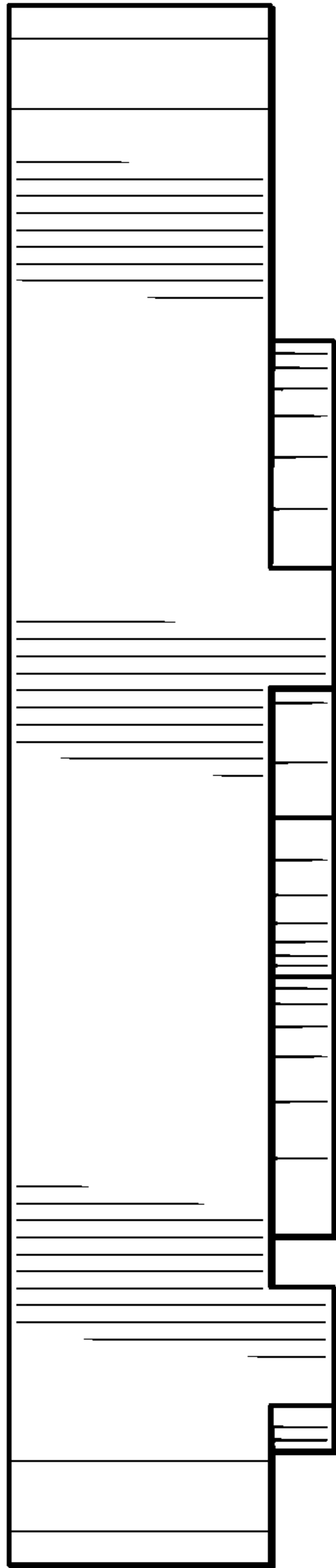


FIG. 7

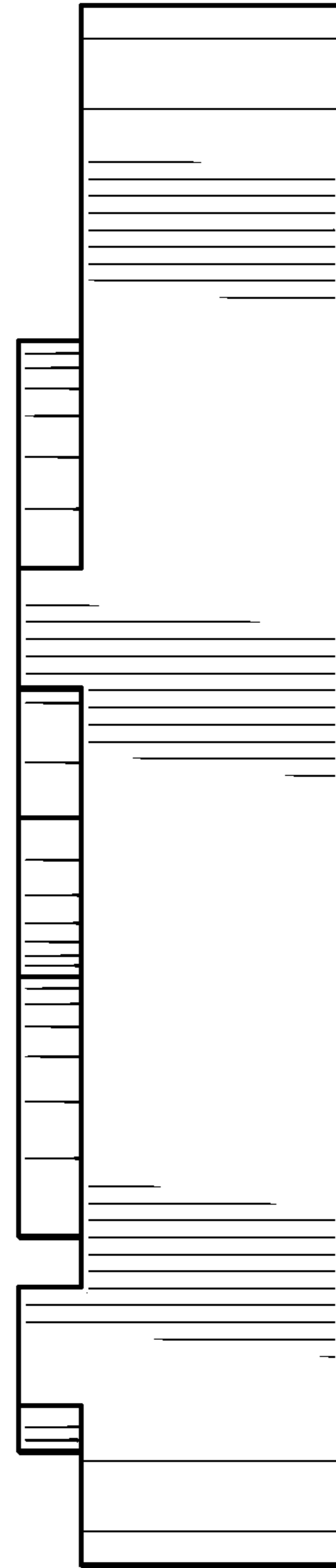


FIG. 8

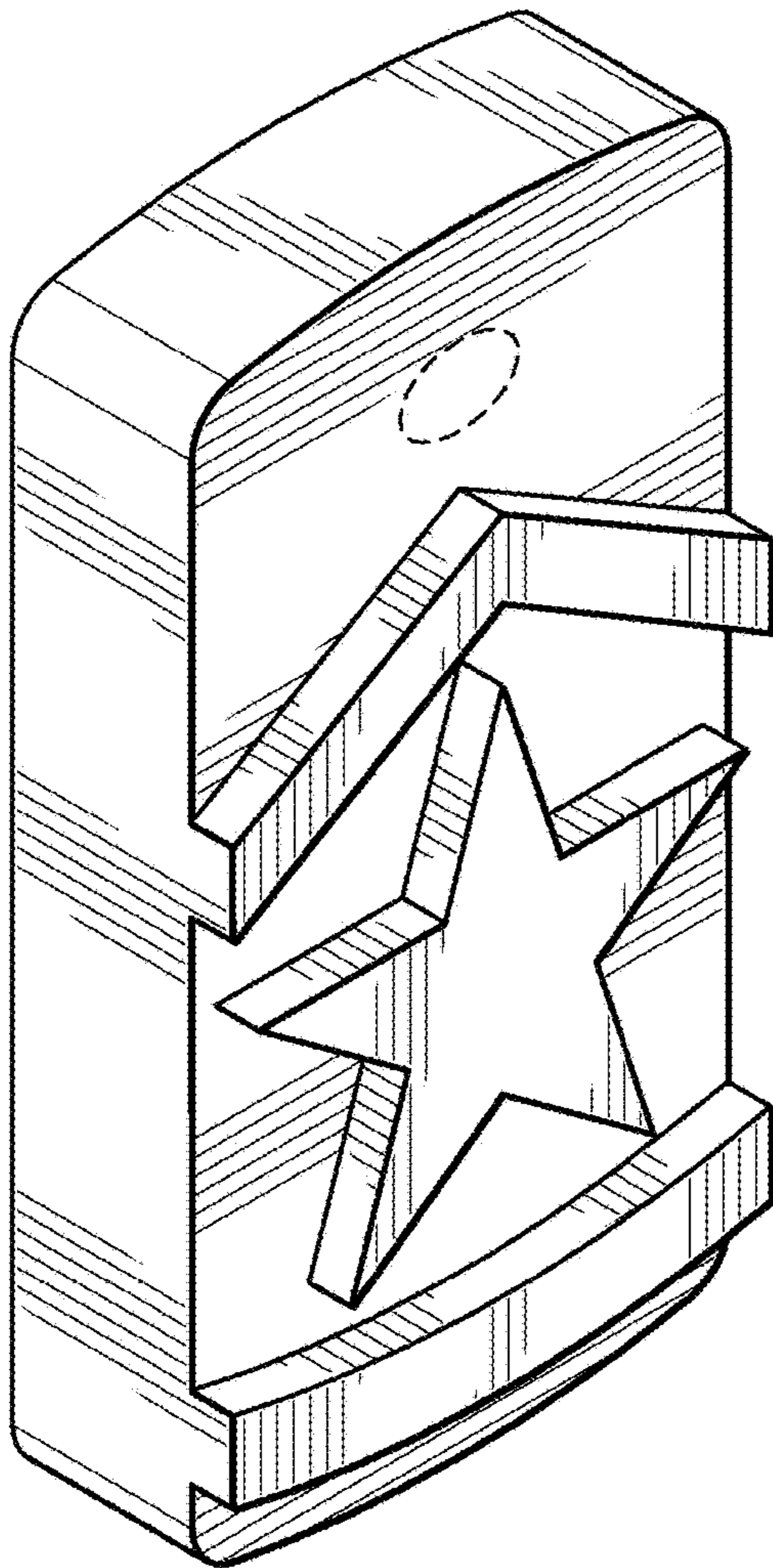


FIG. 9

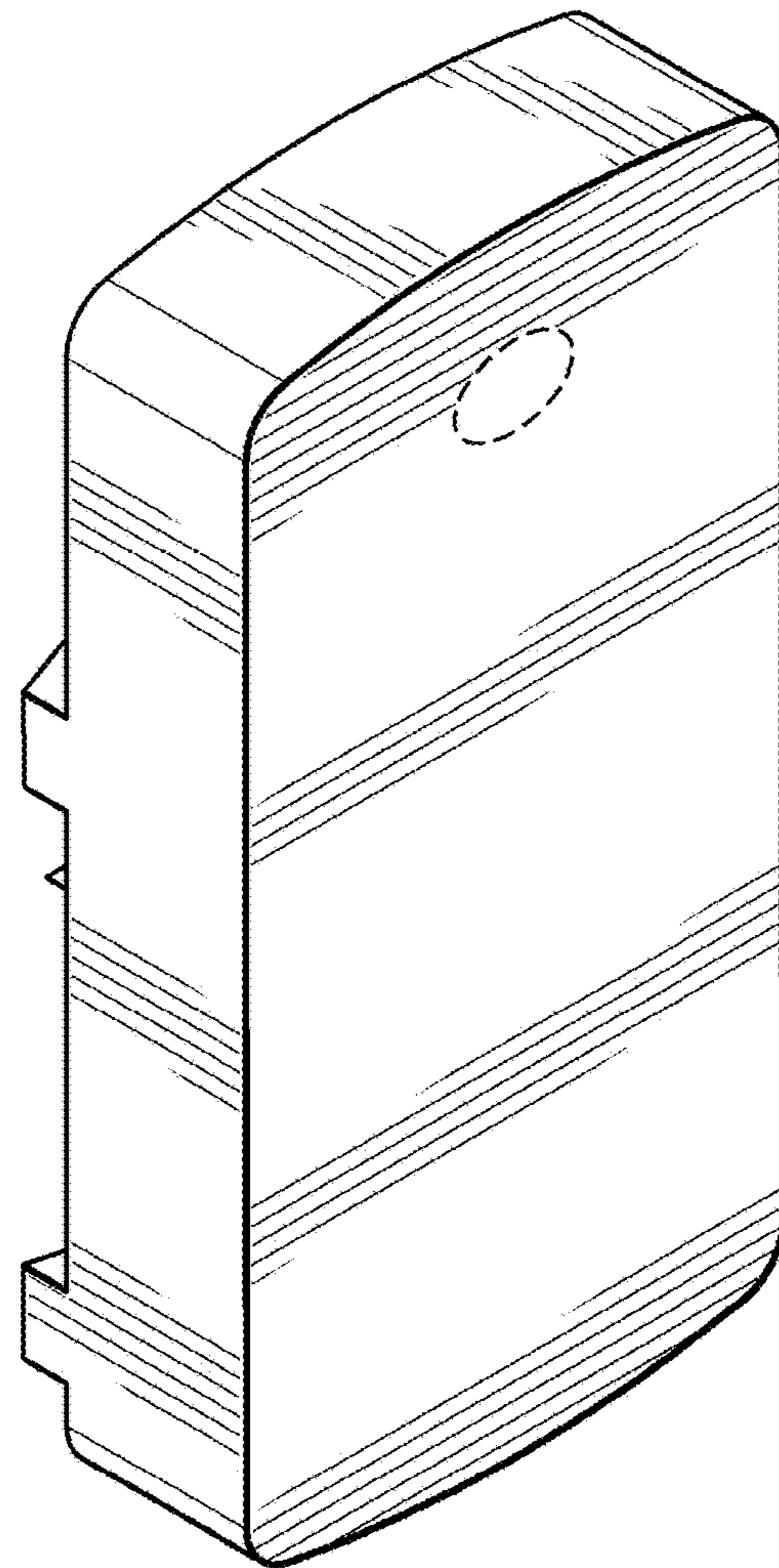


FIG. 10

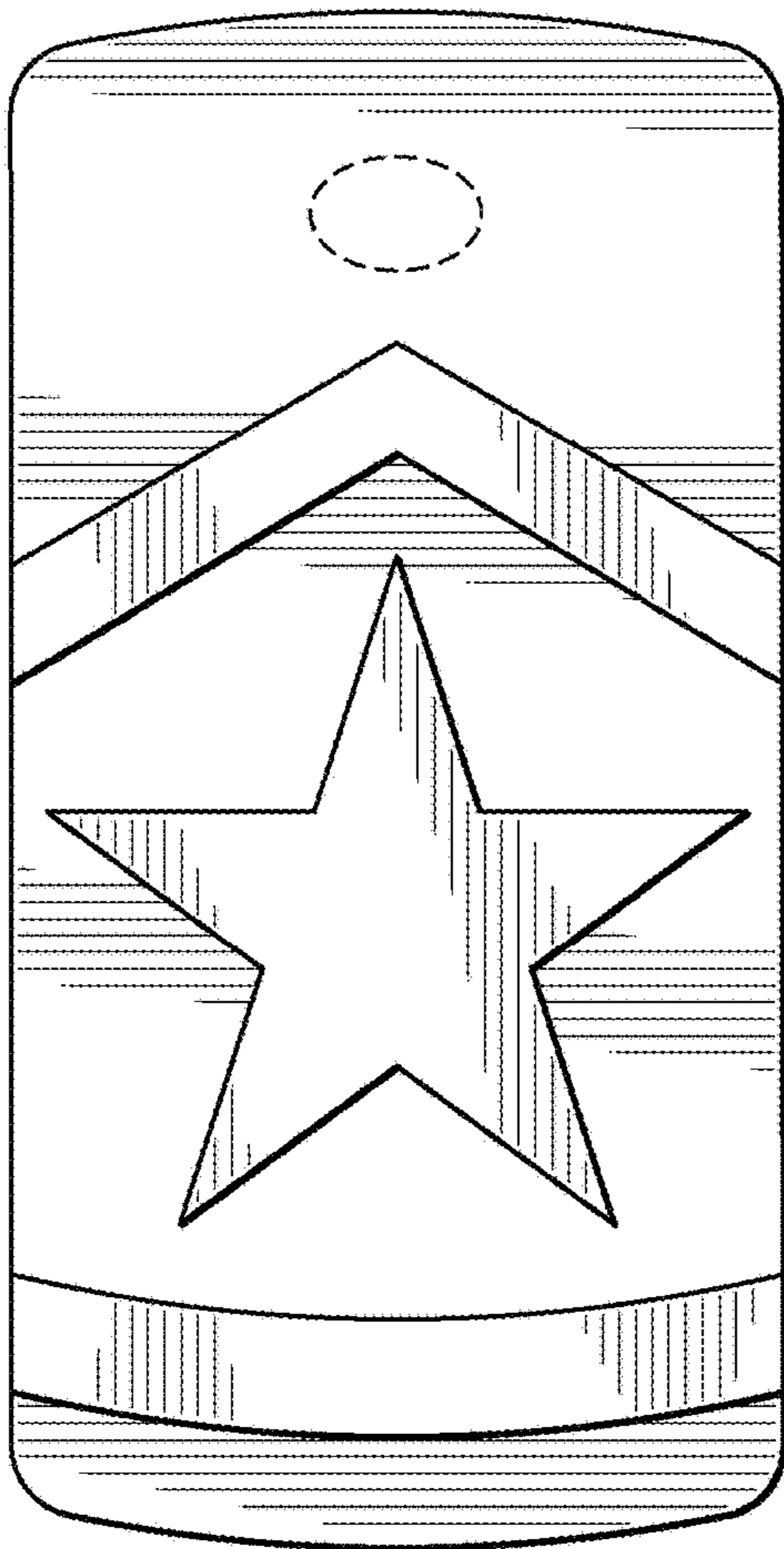


FIG. 11

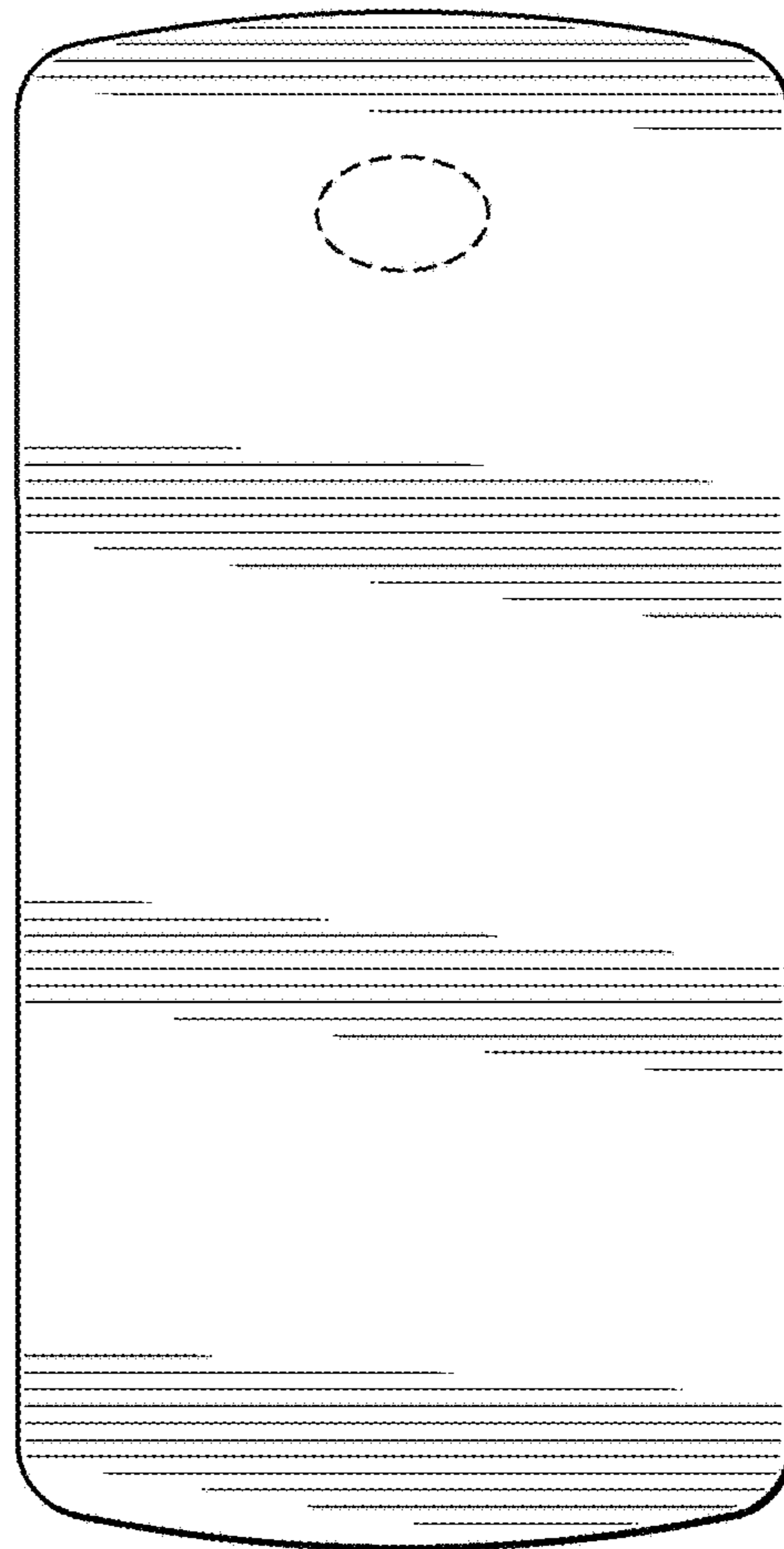


FIG. 12

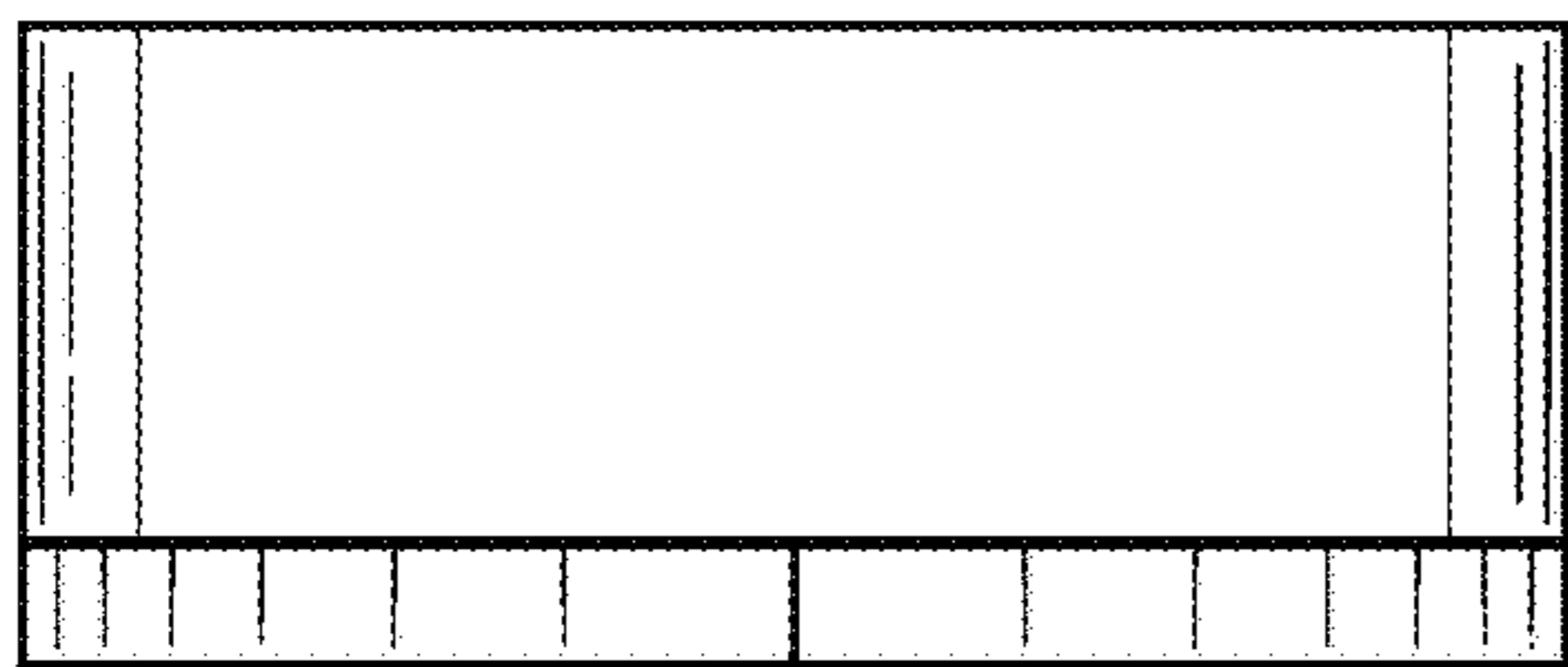


FIG. 13

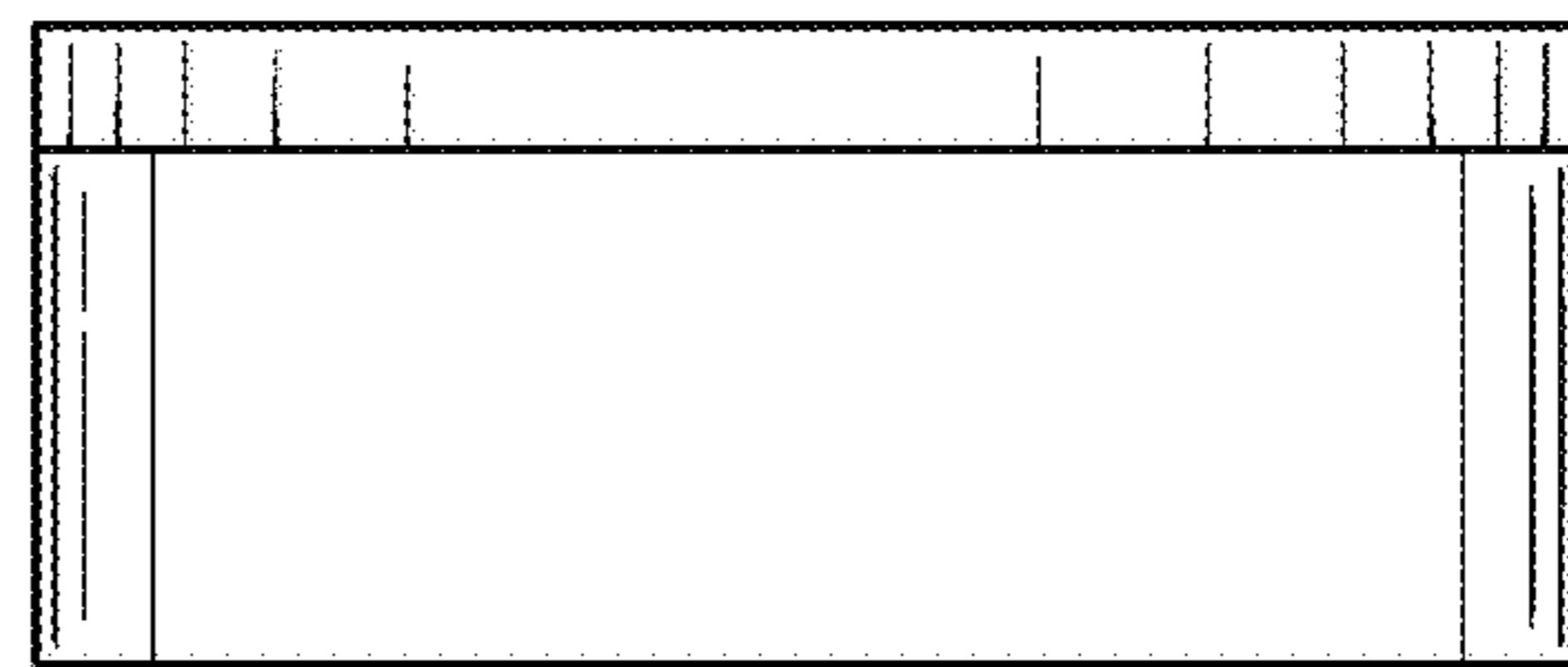


FIG. 14

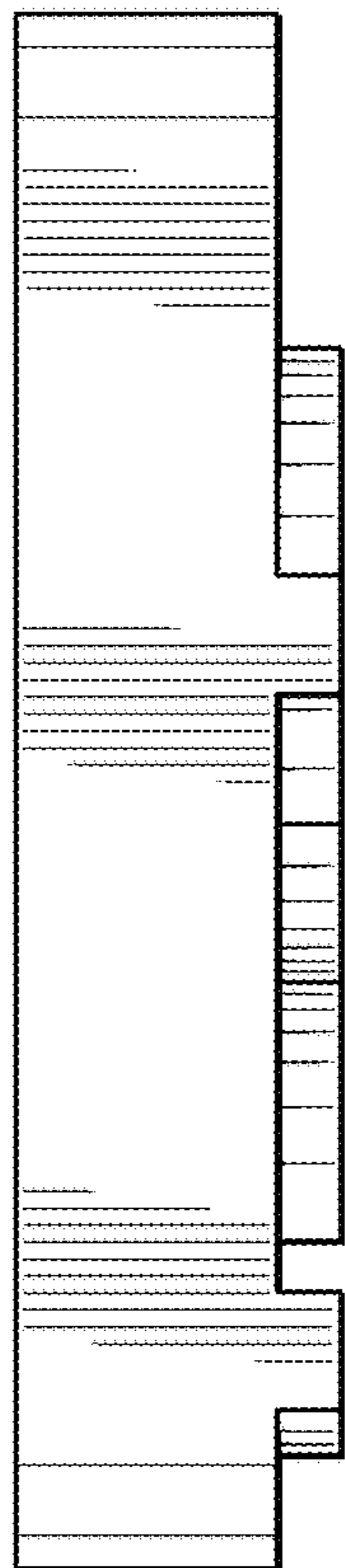


FIG. 15

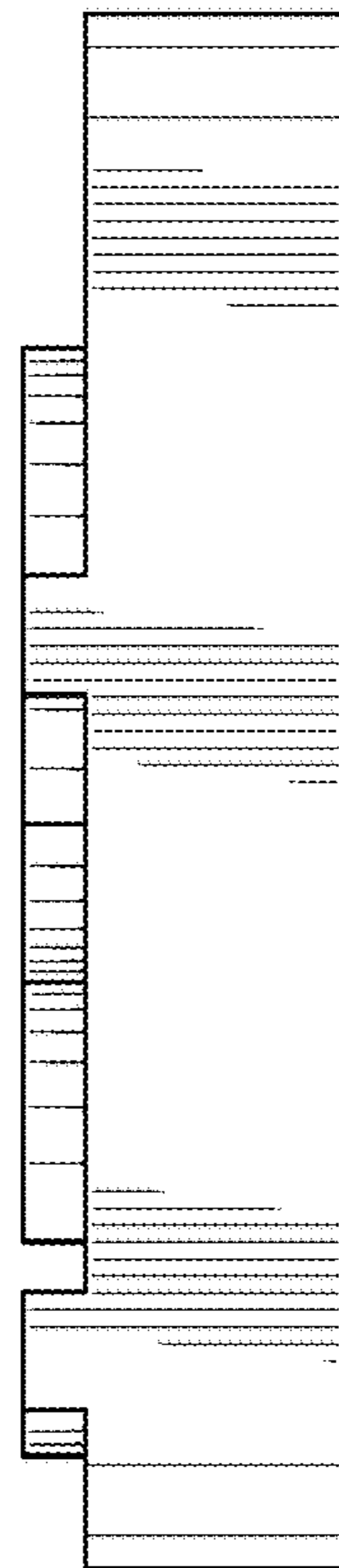


FIG. 16