



US00D787690S

(12) **United States Design Patent**  
**Mackay et al.**

(10) **Patent No.:** **US D787,690 S**

(45) **Date of Patent:** **\*\* May 23, 2017**

(54) **KINESIOLOGY TAPE WITH AN X-SHAPED CONFIGURATION**

(71) Applicants: **John Mackay**, Alpine, UT (US); **Ryan Dewey**, Highland, UT (US); **Gregory C. Hahn**, Orem, UT (US)

(72) Inventors: **John Mackay**, Alpine, UT (US); **Ryan Dewey**, Highland, UT (US); **Gregory C. Hahn**, Orem, UT (US)

(73) Assignee: **KT Health, LLC**, American Fork, UT (US)

(\*\*) Term: **14 Years**

(21) Appl. No.: **29/499,881**

(22) Filed: **Aug. 19, 2014**

(51) **LOC (10) Cl.** ..... **24-04**

(52) **U.S. Cl.**  
USPC ..... **D24/189**

(58) **Field of Classification Search**  
USPC ..... D24/189-192

(Continued)

(56) **References Cited**

**U.S. PATENT DOCUMENTS**

2,399,545 A 1/1946 Davis  
2,508,885 A 5/1950 Brown

(Continued)

**OTHER PUBLICATIONS**

U.S. Appl. No. 29/499,880, filed Aug. 19, 2014, MacKay, et al.

(Continued)

*Primary Examiner* — Michael A. Pratt

*Assistant Examiner* — Michelle E Wilson

(74) *Attorney, Agent, or Firm* — Maschoff Brennan

(57) **CLAIM**

The ornamental design for kinesiology tape with a X-shaped configuration, as shown and described.

**DESCRIPTION**

FIG. 1 is an upper perspective view of the kinesiology tape with an X-shaped configuration;

FIG. 2 is a rear view of the kinesiology tape with a X-shaped configuration shown in FIG. 1;

FIG. 3 is a left side view of the kinesiology tape with a X-shaped configuration shown in FIG. 1;

FIG. 4 is a top view of the kinesiology tape with a X-shaped configuration shown in FIG. 1;

FIG. 5 is a right side view of the kinesiology tape with a X-shaped configuration shown in FIG. 1;

FIG. 6 is a front view of the kinesiology tape with a X-shaped configuration;

FIG. 7 is an upper perspective view of another embodiment of kinesiology tape with a X-shaped configuration disposed on a layer of backing material;

FIG. 8 is a rear view of the kinesiology tape with a X-shaped configuration and layer of backing material shown in FIG. 7;

FIG. 9 is a left side view of the kinesiology tape with a X-shaped configuration and layer of backing material shown in FIG. 7;

FIG. 10 is a top view of the kinesiology tape with a X-shaped configuration and layer of backing material shown in FIG. 7;

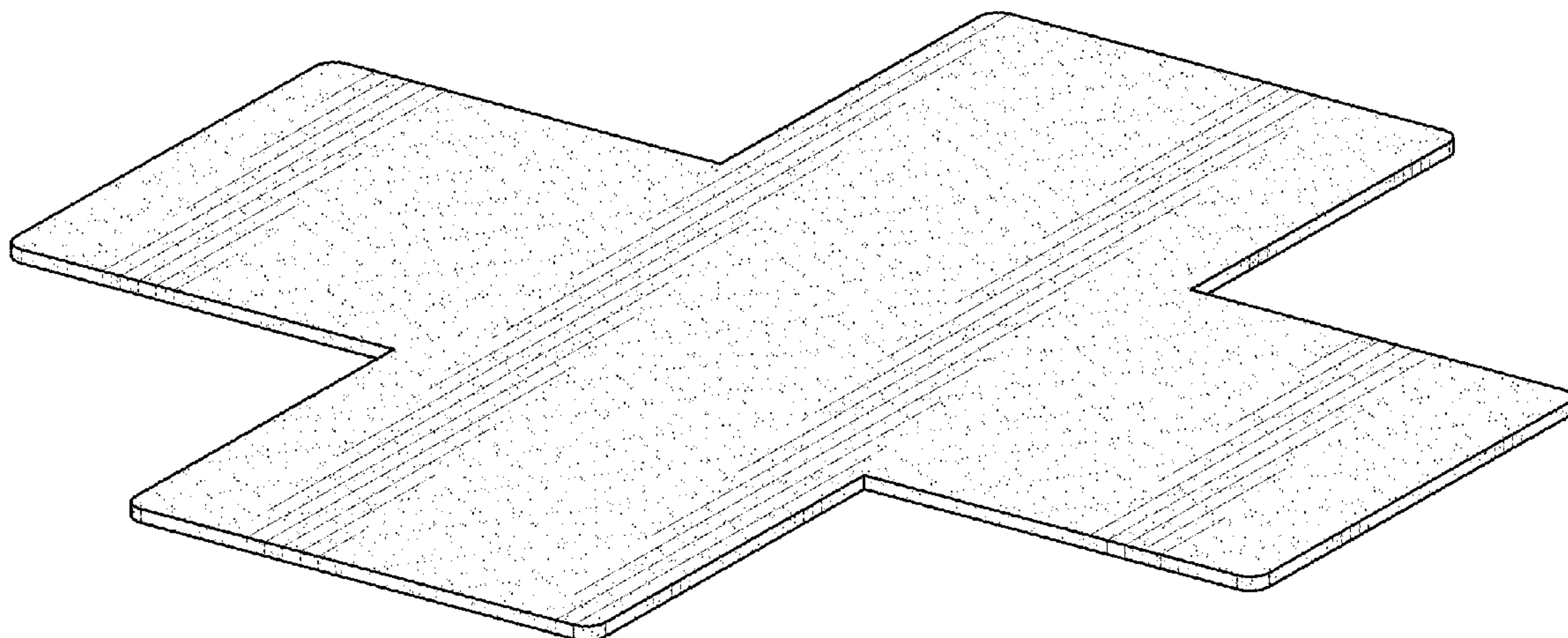
FIG. 11 is a right side view of the kinesiology tape with a X-shaped configuration and layer of backing material shown in FIG. 7;

FIG. 12 is a front view of the kinesiology tape with a X-shaped configuration and layer of backing material shown in FIG. 7; and,

FIG. 13 is a bottom view of the kinesiology tape with a X-shaped configuration and layer of backing material shown in FIG. 7.

The broken line showing illustrates a portion of the design that forms no part of the claimed design.

**1 Claim, 5 Drawing Sheets**



(58) **Field of Classification Search**

CPC ..... A61F 15/002; A61F 13/00987; A61F  
13/0273; A61F 13/0276; A61F 13/025;  
A61F 13/0279; A61F 5/0111; A61L 15/12  
See application file for complete search history.

D691,276 S 10/2013 Bushby  
8,563,800 B2 \* 10/2013 Smith ..... A61F 13/0203  
128/888  
D696,400 S 12/2013 Brogden  
8,742,196 B2 \* 6/2014 Arbesman ..... A61F 5/0106  
602/53  
8,841,141 B2 \* 9/2014 Yamada ..... H01L 21/6836  
257/E21.001

(56) **References Cited**

U.S. PATENT DOCUMENTS

4,734,320 A 3/1988 Ohira  
4,737,400 A 4/1988 Edison  
5,792,091 A 8/1998 Staudinger  
D430,295 S \* 8/2000 Ierulli ..... D24/135  
D434,146 S \* 11/2000 Ierulli ..... D24/135  
D437,641 S \* 2/2001 Ierulli ..... D24/135  
6,346,654 B1 \* 2/2002 Snyder ..... A61F 13/0203  
602/41  
6,425,876 B1 \* 7/2002 Frangi ..... A61F 5/0109  
128/882  
6,447,470 B2 \* 9/2002 Bodenschatz ..... A61F 13/062  
602/41  
D484,603 S 12/2003 Kocik  
D513,323 S \* 12/2005 Mueller ..... D24/189  
D516,728 S 3/2006 Wall  
D621,051 S 8/2010 Kase  
D621,053 S \* 8/2010 Kase ..... D24/189  
7,854,716 B2 \* 12/2010 Schuren ..... A61F 13/069  
602/53  
D633,213 S 2/2011 Cowles  
D639,962 S \* 6/2011 Kase ..... D24/189  
8,142,382 B2 \* 3/2012 Vito ..... B25G 1/01  
428/293.1  
D663,432 S \* 7/2012 Nichols ..... D24/189  
8,216,415 B2 7/2012 Quinn  
D674,099 S \* 1/2013 Nichols ..... D24/189

D718,869 S 12/2014 Cameron  
D722,699 S \* 2/2015 Riesinger ..... D24/189  
D732,832 S \* 6/2015 Kusmirek ..... D5/55  
D734,615 S \* 7/2015 Kusmirek ..... D5/55  
D734,616 S \* 7/2015 Kusmirek ..... D5/55  
D737,986 S \* 9/2015 Arbesman ..... D24/189  
D743,566 S \* 11/2015 Arbesman ..... D24/189  
D750,789 S \* 3/2016 Mackay ..... D24/189  
9,308,115 B2 \* 4/2016 Quinn ..... A61F 5/40  
2001/0056252 A1 12/2001 Bodenschatz  
2002/0040202 A1 4/2002 Levin  
2003/0069530 A1 4/2003 Satou  
2008/0154169 A1 6/2008 Kase  
2010/0298747 A1 11/2010 Quinn  
2011/0271854 A1 11/2011 Quinn  
2011/0275969 A1 11/2011 Quinn  
2011/0276040 A1 11/2011 Quinn  
2013/0334084 A1 12/2013 Arbesman  
2014/0102632 A1 4/2014 Quinn  
2016/0100986 A1 \* 4/2016 Rinke ..... A61F 13/064  
602/60

OTHER PUBLICATIONS

U.S. Appl. No. 29/499,882, filed Aug. 19, 2014, MacKay, et al.  
Notice of Allowance from U.S. Appl. No. 29/499,882, dated Oct.  
13, 2015.

\* cited by examiner



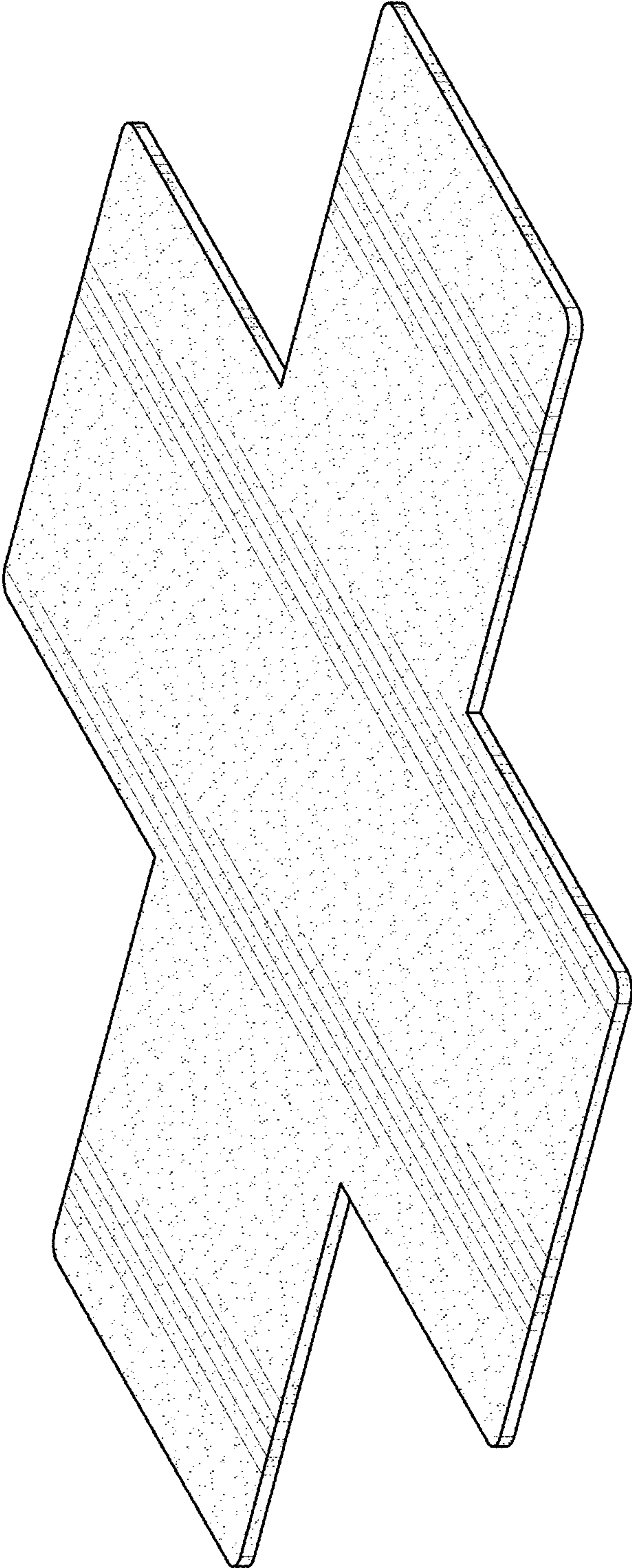


Fig. 1



Fig. 2

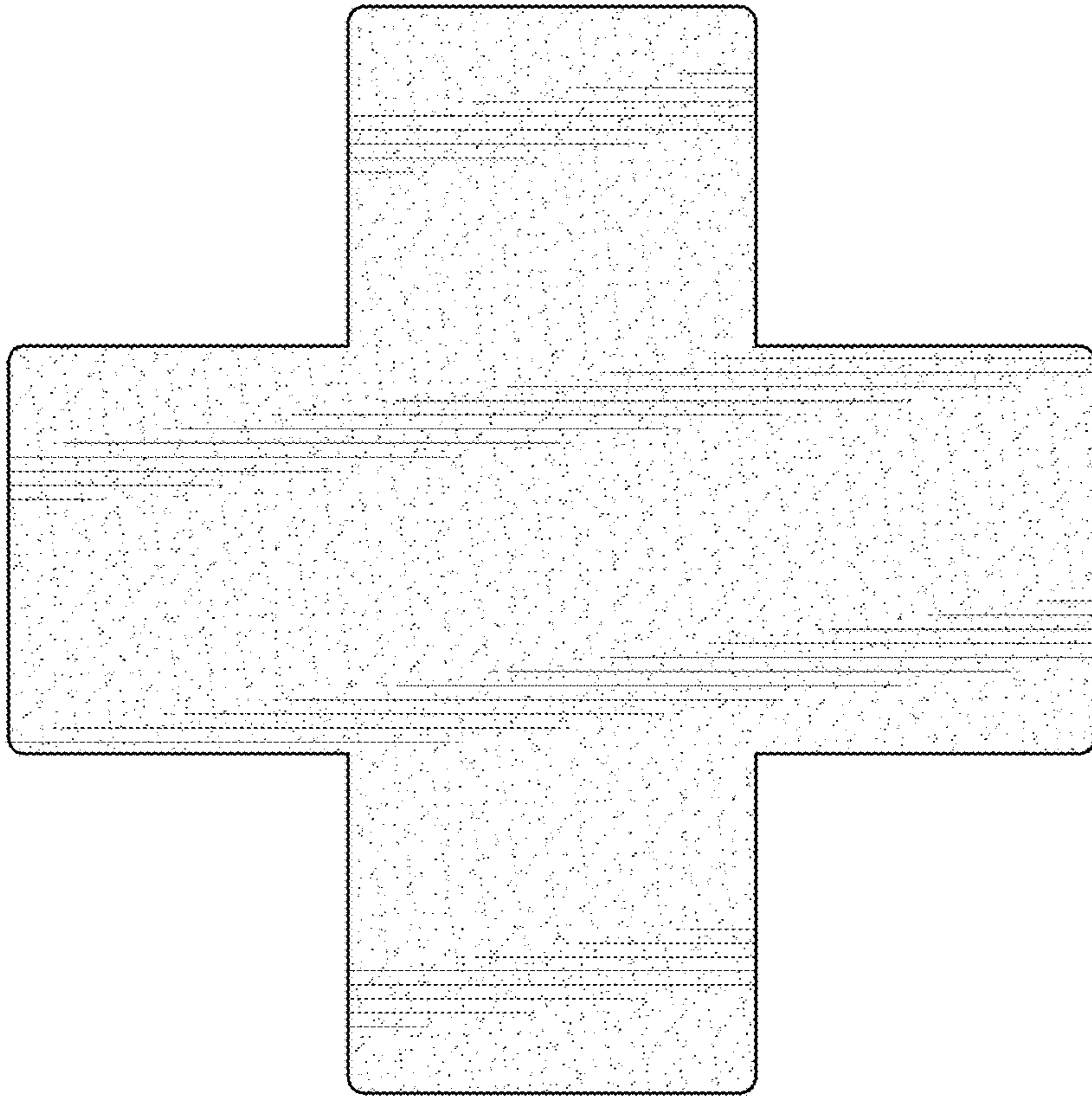


Fig. 4



Fig. 5



Fig. 3



Fig. 6

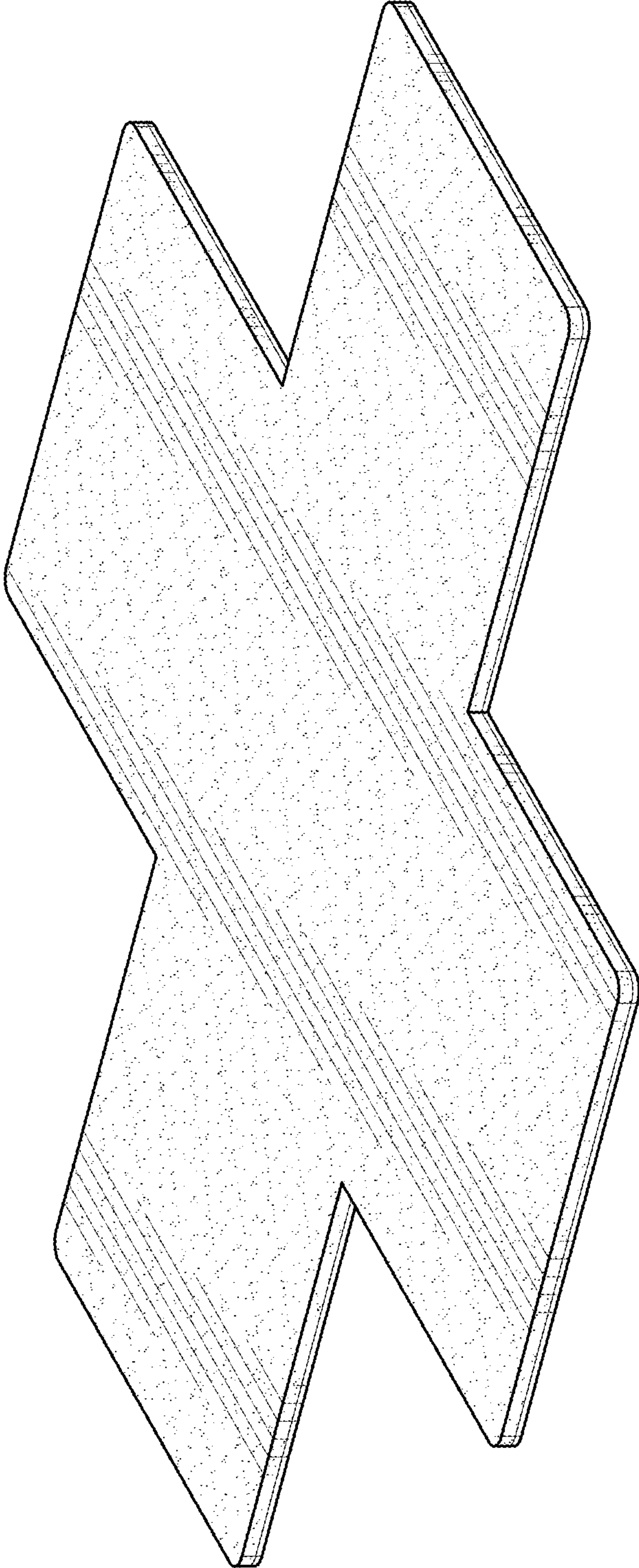
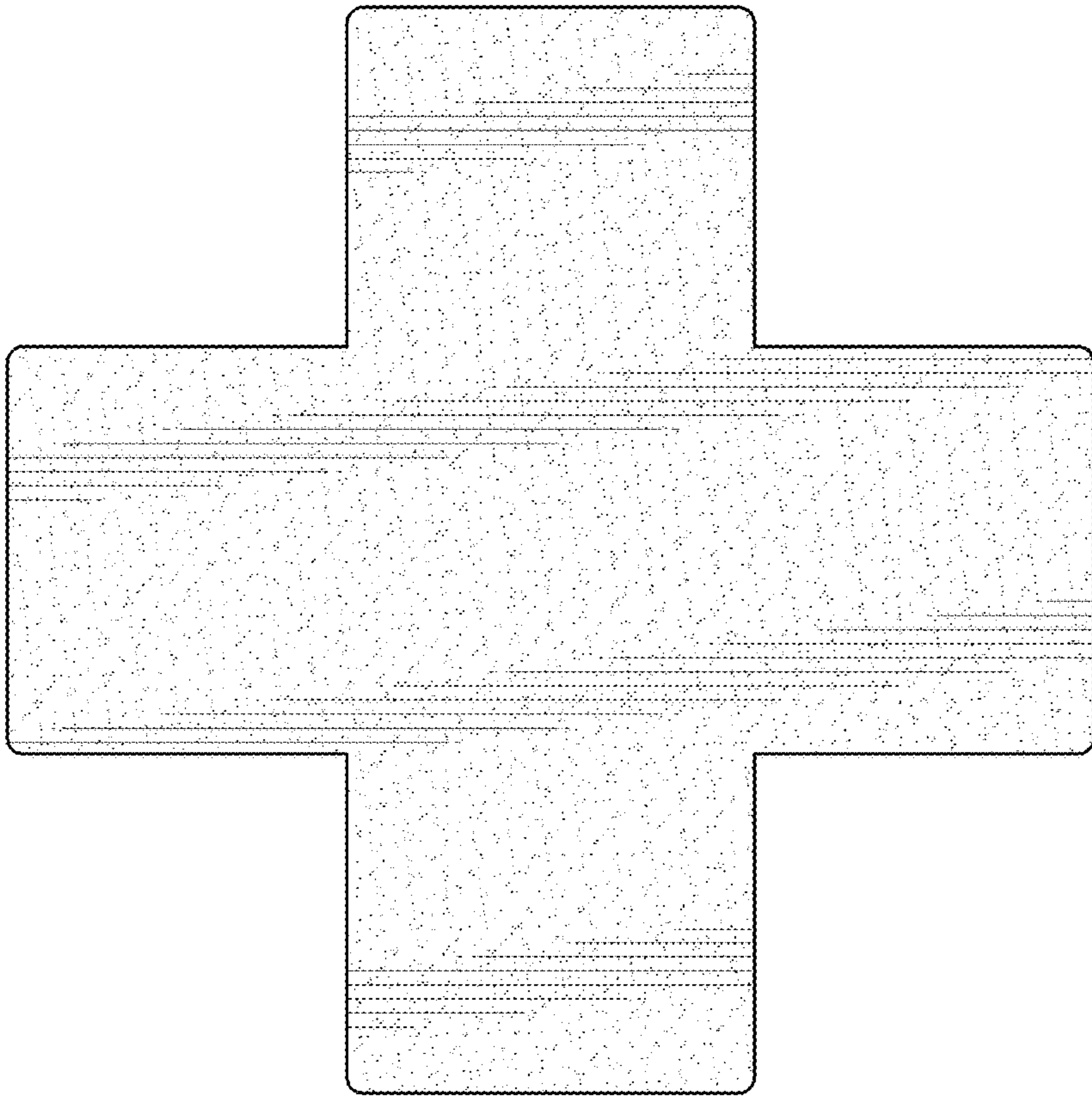


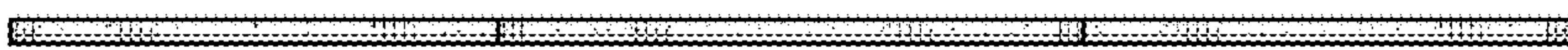
Fig. 7



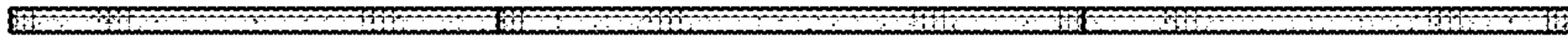
**Fig. 8**



**Fig. 10**



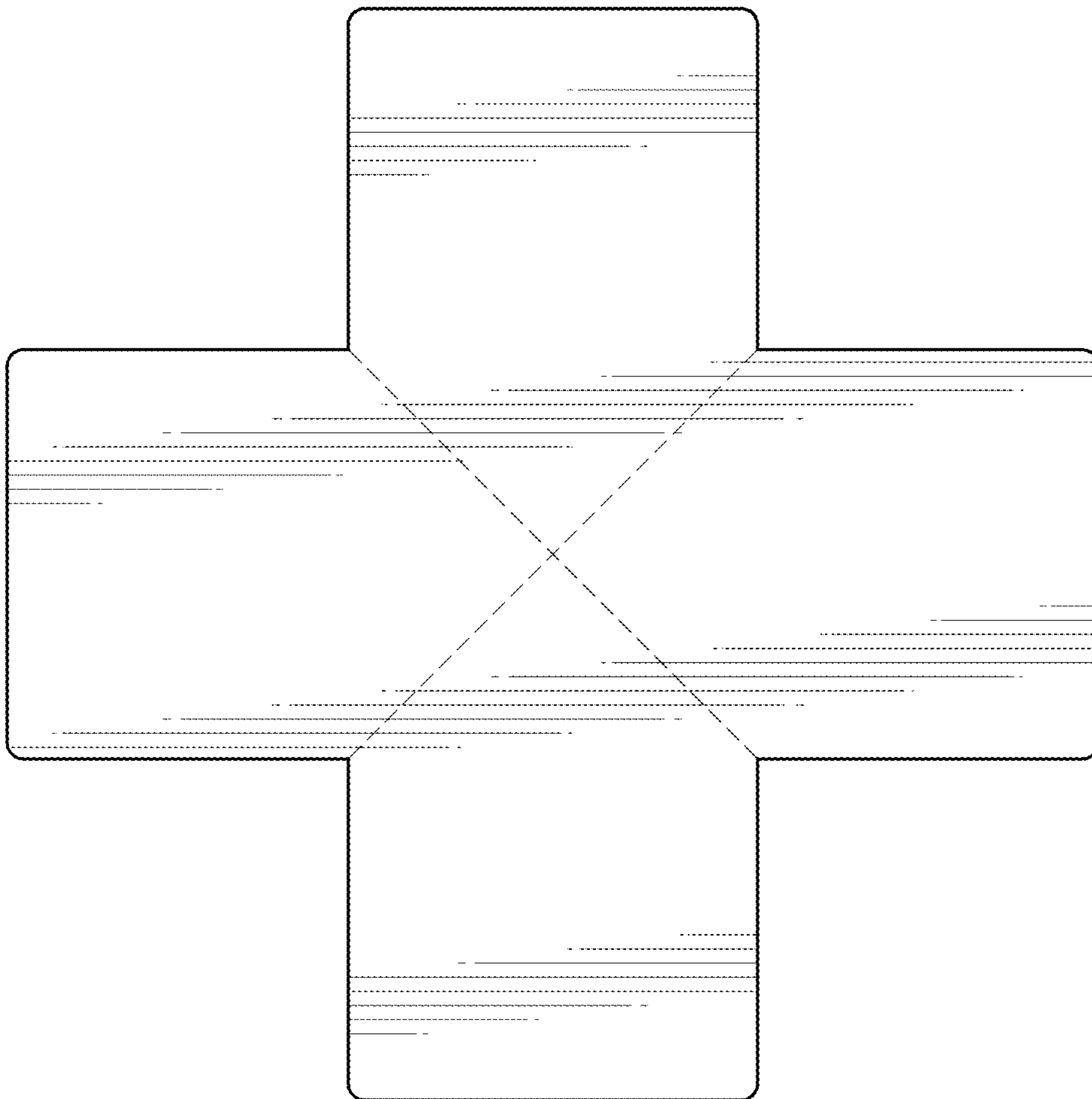
**Fig. 9**



**Fig. 11**



**Fig. 12**



**Fig. 13**