



US00D787684S

(12) **United States Design Patent**  
**Vežina**

(10) **Patent No.:** **US D787,684 S**

(45) **Date of Patent:** **\*\* May 23, 2017**

(54) **SECURING MECHANISM WITH A PROBE FOR A PERIPHERAL ULTRASOUND DEVICE**

(71) Applicant: **Guardsman Scientific, Inc.**, Park City, UT (US)

(72) Inventor: **Daniel P. Vežina**, Park City, UT (US)

(73) Assignee: **Guardsman Scientific, Inc.**, Park City, UT (US)

(\*\*) Term: **14 Years**

(21) Appl. No.: **29/457,200**

(22) Filed: **Jun. 7, 2013**

(51) **LOC (10) Cl.** ..... **24-01**

(52) **U.S. Cl.**  
USPC ..... **D24/187**

(58) **Field of Classification Search**  
USPC ..... D24/133, 158, 186-187, 200, 107, 144; 600/437, 439, 446, 453, 459, 463, 424, 600/443; 128/916; D10/60, 80, 103, 78; 73/634  
CPC ..... A61B 5/14532; A61B 5/14546; A61B 5/1455; A61B 5/14551; A61B 5/14552; A61B 7/003; A61B 5/0476; A61B 5/021; A61B 5/0478; A61B 8/4281; A61B 8/00; A61B 5/0002; A61B 5/042; A61B 8/12; C12Q 1/006  
See application file for complete search history.

(56) **References Cited**

**U.S. PATENT DOCUMENTS**

4,165,270 A 8/1979 Ost et al.  
4,305,207 A 12/1981 Lantz  
4,343,092 A 8/1982 Wahl et al.  
4,517,840 A \* 5/1985 Thompson ..... G10K 11/004  
73/634  
4,582,066 A \* 4/1986 Barnes ..... A61B 8/065  
600/459

4,674,517 A \* 6/1987 Barnes ..... G10K 11/004  
600/459

4,827,943 A 5/1989 Bornn et al.  
4,857,836 A 8/1989 Söelkner  
4,908,568 A 3/1990 Söelkner  
4,947,853 A 8/1990 Hon

(Continued)

**FOREIGN PATENT DOCUMENTS**

EP 0607490 7/1994  
JP 05337108 12/1993

**OTHER PUBLICATIONS**

U.S. Appl. No. 29/457,196, filed Jun. 7, 2013, Vežina.

(Continued)

*Primary Examiner* — Ian Simmons

*Assistant Examiner* — Mark Cavanna

(74) *Attorney, Agent, or Firm* — Polsinelli PC

(57) **CLAIM**

The ornamental design for a securing mechanism with a probe for a peripheral ultrasound device, as shown and described.

**DESCRIPTION**

FIG. 1 is a top perspective view of a securing mechanism with a probe for a peripheral ultrasound device showing my new design.

FIG. 2 is a top view thereof.

FIG. 3 is a bottom perspective view thereof.

FIG. 4 is a bottom view thereof.

FIG. 5 is a left view thereof.

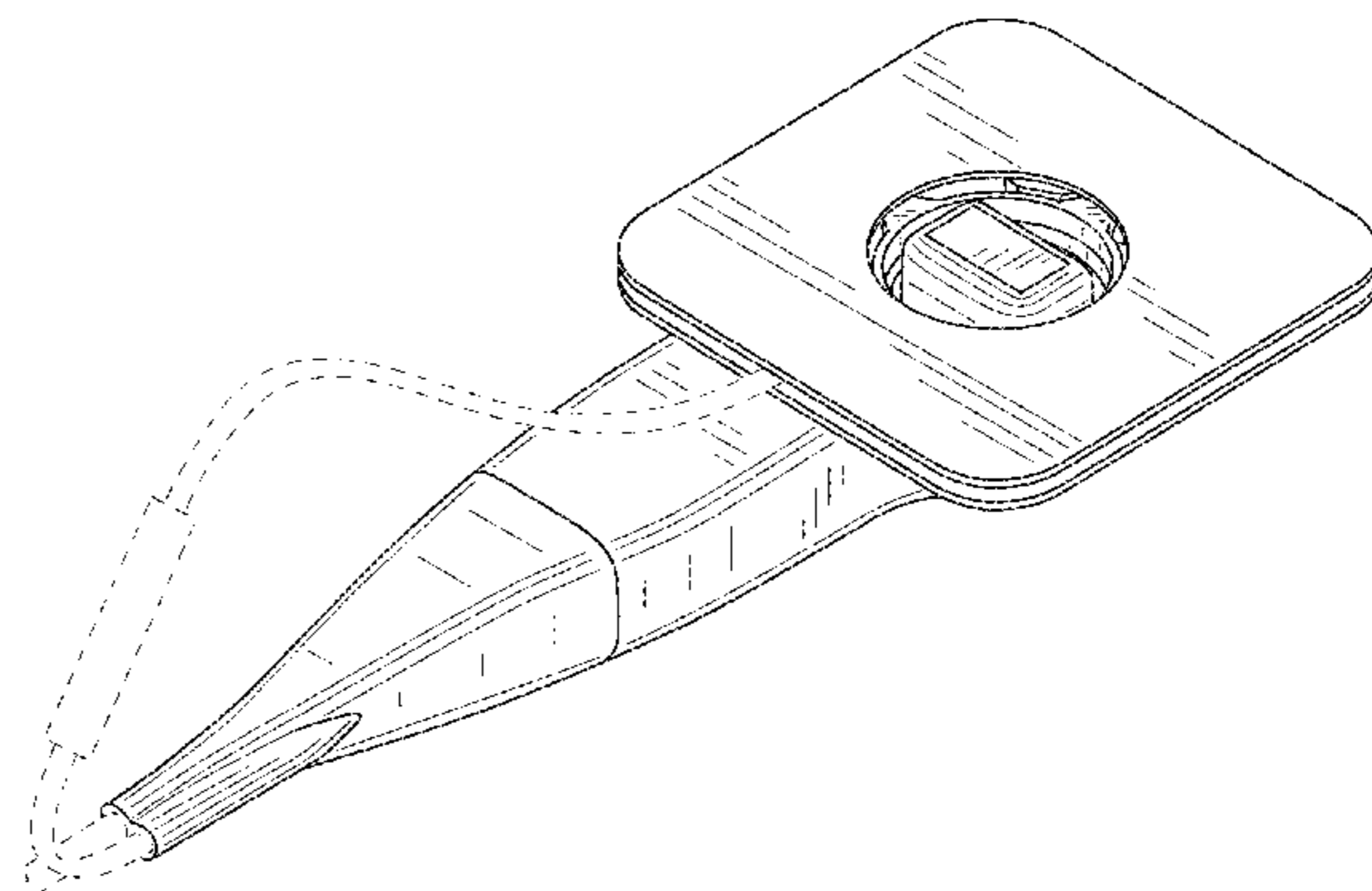
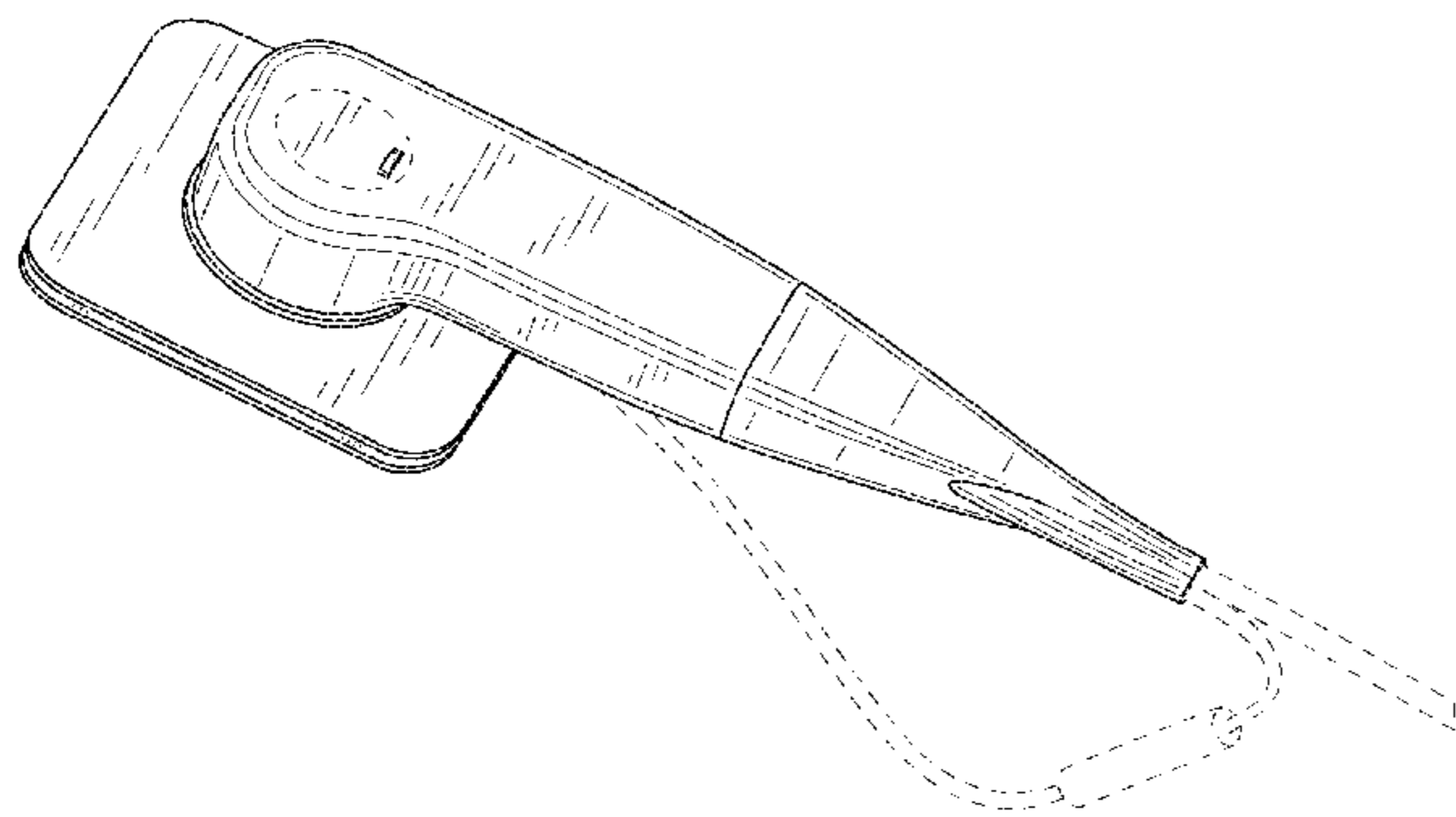
FIG. 6 is a right view thereof.

FIG. 7 is a back view thereof; and,

FIG. 8 is a front view thereof.

In the drawings, the broken line showing of cables in FIGS. 1-8 illustrate environment and form no part of the claimed design.

**1 Claim, 8 Drawing Sheets**



(56)

References Cited

U.S. PATENT DOCUMENTS

5,022,410 A 6/1991 Hall et al.  
 5,070,880 A 12/1991 Gomez et al.  
 D343,801 S \* 2/1994 Burns ..... D10/78  
 5,394,877 A 3/1995 Orr et al.  
 5,469,852 A 11/1995 Nakamura et al.  
 D369,307 S \* 4/1996 Imling ..... D10/78  
 5,558,623 A \* 9/1996 Cody ..... B06B 1/0269  
 600/439  
 5,598,845 A 2/1997 Chandraratna et al.  
 5,634,468 A 6/1997 Platt et al.  
 5,671,747 A \* 9/1997 Connor ..... A61B 8/12  
 600/459  
 5,704,352 A 1/1998 Tremblay et al.  
 5,740,804 A 4/1998 Cerofolini  
 5,771,896 A 6/1998 Sliwa, Jr. et al.  
 5,807,268 A 9/1998 Reeves et al.  
 5,947,961 A 9/1999 Netherly  
 6,031,383 A 2/2000 Streib et al.  
 D425,980 S \* 5/2000 Last ..... D24/107  
 6,124,723 A 9/2000 Costello  
 6,126,636 A 10/2000 Naka  
 6,132,371 A 10/2000 Dempsey et al.  
 6,139,502 A \* 10/2000 Fredriksen ..... A61B 8/4281  
 600/459  
 6,248,101 B1 6/2001 Whitmore, III et al.  
 6,261,231 B1 7/2001 Damphousse et al.  
 6,285,180 B1 9/2001 Pas  
 6,577,893 B1 6/2003 Besson et al.  
 6,653,825 B2 11/2003 Munniksmas  
 D536,450 S \* 2/2007 Ryan ..... D24/144  
 7,215,991 B2 5/2007 Besson et al.  
 7,244,230 B2 7/2007 Duggirala et al.  
 D550,365 S \* 9/2007 Kitayama ..... D24/186  
 D623,755 S \* 9/2010 Ikegame ..... D24/186  
 D638,946 S \* 5/2011 Egorov ..... D24/187  
 8,348,847 B2 1/2013 Vezina  
 D687,153 S \* 7/2013 Torzilli ..... D24/187  
 2002/0120310 A1 8/2002 Linden et al.  
 2003/0187362 A1 10/2003 Murphy et al.  
 2003/0220578 A1 11/2003 Ho et al.  
 2004/0006278 A1 1/2004 Webb et al.  
 2004/0015081 A1 1/2004 Kramer et al.  
 2005/0157888 A1 7/2005 Yang  
 2005/0232434 A1 10/2005 Andersen  
 2005/0288584 A1 12/2005 McMorro et al.  
 2006/0030782 A1 2/2006 Shennib  
 2006/0241464 A1 10/2006 Ohtake et al.  
 2006/0264767 A1 11/2006 Shennib  
 2007/0106751 A1 5/2007 Moore  
 2007/0260285 A1 11/2007 Libbus et al.  
 2007/0261493 A1 11/2007 Kim  
 2007/0276251 A1 11/2007 Orenstein et al.  
 2007/0276270 A1 11/2007 Tran  
 2008/0004904 A1 1/2008 Tran  
 2008/0013747 A1 1/2008 Tran  
 2010/0168577 A1 7/2010 Vezina  
 2011/0270089 A1 11/2011 Vezina  
 2013/0102899 A1 4/2013 Vezina  
 2013/0102900 A1 4/2013 Vezina

OTHER PUBLICATIONS

U.S. Appl. No. 29/457,201, filed Jun. 7, 2013, Vezina.  
 U.S. Appl. No. 13/912,763, filed Jun. 7, 2013, Vezina.

Anderson G. Chronic Conditions: Making the Case for Ongoing Care. Johns Hopkins University, Baltimore, MD. Nov. 2007, 77 pages.  
 Devereux et al. A population-based assessment of left ventricular systolic dysfunction in middle-aged and older adults; the Strong Heart Study. Am Heart J. Mar. 2001 141(3): 439-46.  
 Devereux et al. Congestive heart failure despite normal ventricular systolic function in a population-based sample: the Strong Heart Study. Am. J. Cardiol. Nov. 15, 2000; 86 (10): 1090-6.  
 Eagle et al. ACC/AHA Guideline Update for Perioperative Cardiovascular Evaluation for Noncardiac Surgery-Executive Summary. A report of the American College of Cardiology/American Heart Association Task Force on Practice Guidelines (Committee to Update the 1996 Guidelines on Perioperative Cardiovascular Evaluation for Noncardiac Summary) Anesth. Analg. May 4/5, 2002) 1052-64.  
 Garrett et al. The boomers are coming; a total cost of care model of the impact of population aging on the cost of chronic conditions in the United States. Dis Manag. Apr. 2007; 10(2): 51-60.  
 Hammill et al. Impact of heart failure on patients undergoing major noncardiac surgery. Anesthesiology, 2008; 108:559-567.  
 International Search Report and Written Opinion, PCT/US2009/052850, Sep. 29, 2009, 11 pages.  
 International Search Report and Written Opinion, PCT/US2009/069474, 10 pages, Feb. 25, 2010.  
 Jencks et al. Rehospitalizations among patients in the Medicare fee-for-service program. N Engl J Med 2009;360:1418-28.  
 Maurer et al. Ventricular structure and function in hypertensive participants with heart failure and a normal ejection fraction; the Cardiovascular Health Study. J. Am. Col. Cardiol. Mar. 6, 2007; 49(9): 982-85.  
 Non-Final Office Action, U.S. Appl. No. 12/536,247, mailed Feb. 16, 2012, 24 pages.  
 Notice of Allowance, U.S. Appl. No. 12/536,247, mailed Sep. 18, 2012, 8 pages.  
 Owings et al. Ambulatory and Inpatient procedures in the United States, 1996. National Center for Health Statistics. Vital Health Stat 13(139), 1998.  
 Pelletier et al. Increasing US Emergency Department Visit Rates and Subsequent Hospital Admissions for Atrial Fibrillation from 1993 to 2004. Ann. Emerg Med. Jan. 2008;51(1):58-65.  
 Polanczyk et al. Right heart catheterization and the cardiac complications in patients undergoing noncardiac surgery: An observational study. JAMA 2001; 286: 309-314.  
 Practice Guidelines for Transesophageal Echocardiography. A report by the American Society of Anesthesiologists and the Society of Cardiovascular Anesthesiologists Task Force on Transesophageal Echocardiography. Anesthesiology. 1996: 986-1006.  
 Redfield et al. Burden of systolic and diastolic ventricular dysfunction in the community: appreciating the scope of the heart failure epidemic, JAMA, 2003; 289: 194-202.  
 Response to Non-Final Office Action, U.S. Appl. No. 12/536,247, filed Jun. 15, 2012, 12 pages.  
 Sandham et al. A randomized, controlled trial of the use of pulmonary-artery catheters in high-risk surgical patients. N Engl J. Med, vol. 348, No. 1, Jan. 2, 2003.  
 Standards for Basic Anesthetic Monitoring (Approved by the ASA House of Delegates on Oct. 21, 1986, and last amended on Oct. 25, 2005). <http://www.asahg.org/publicationsAndServices/standards/02.pdf> last accessed Mar. 12, 2008.  
 U.S. Census Bureau. U.S. Interim Projections by Age, Sex, Race, and Hispanic Origin. <http://www.census.gov/pc/www/usinterimproj/> Mar. 18, 2004. Last accessed Mar. 12, 2008.

\* cited by examiner

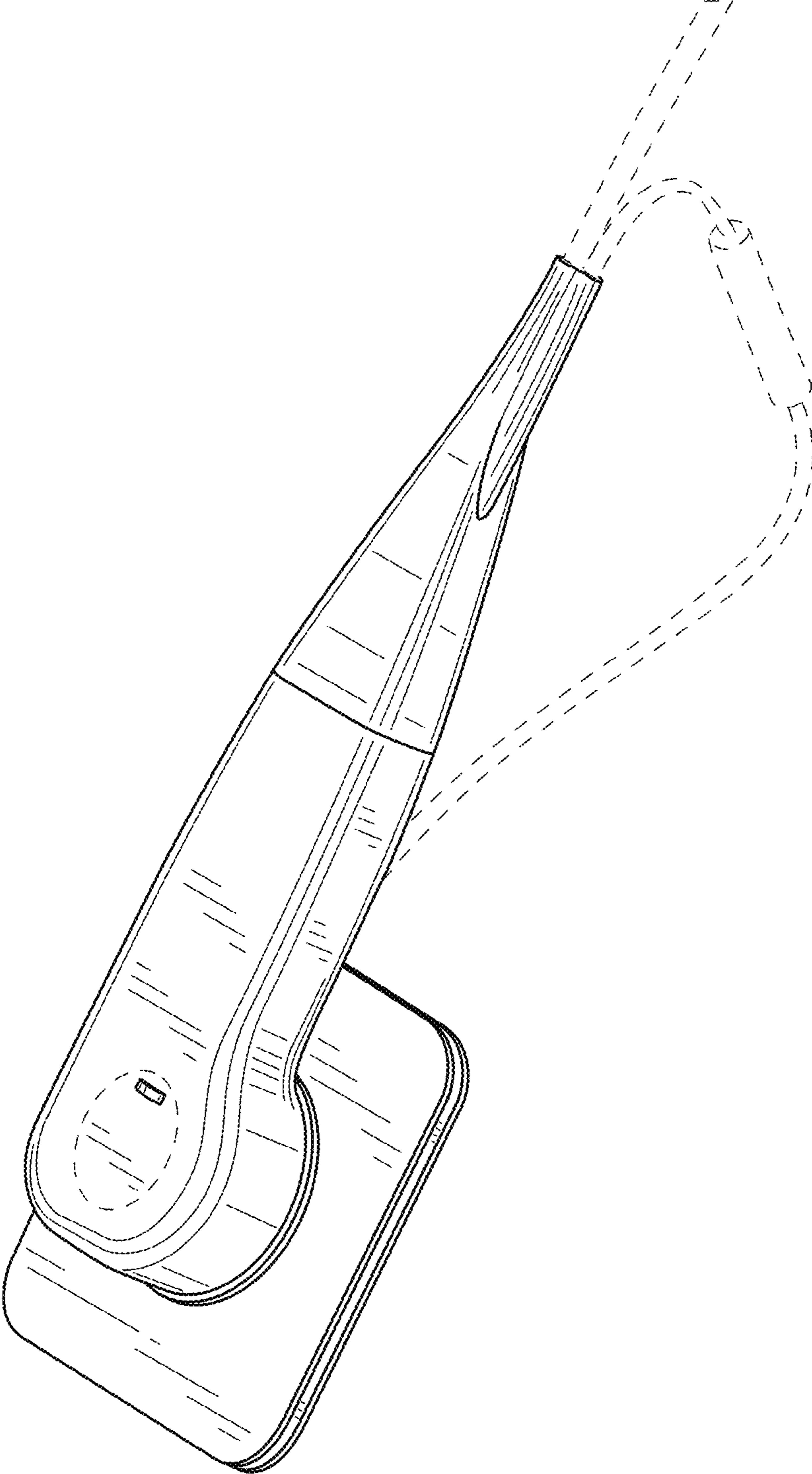


FIG.1

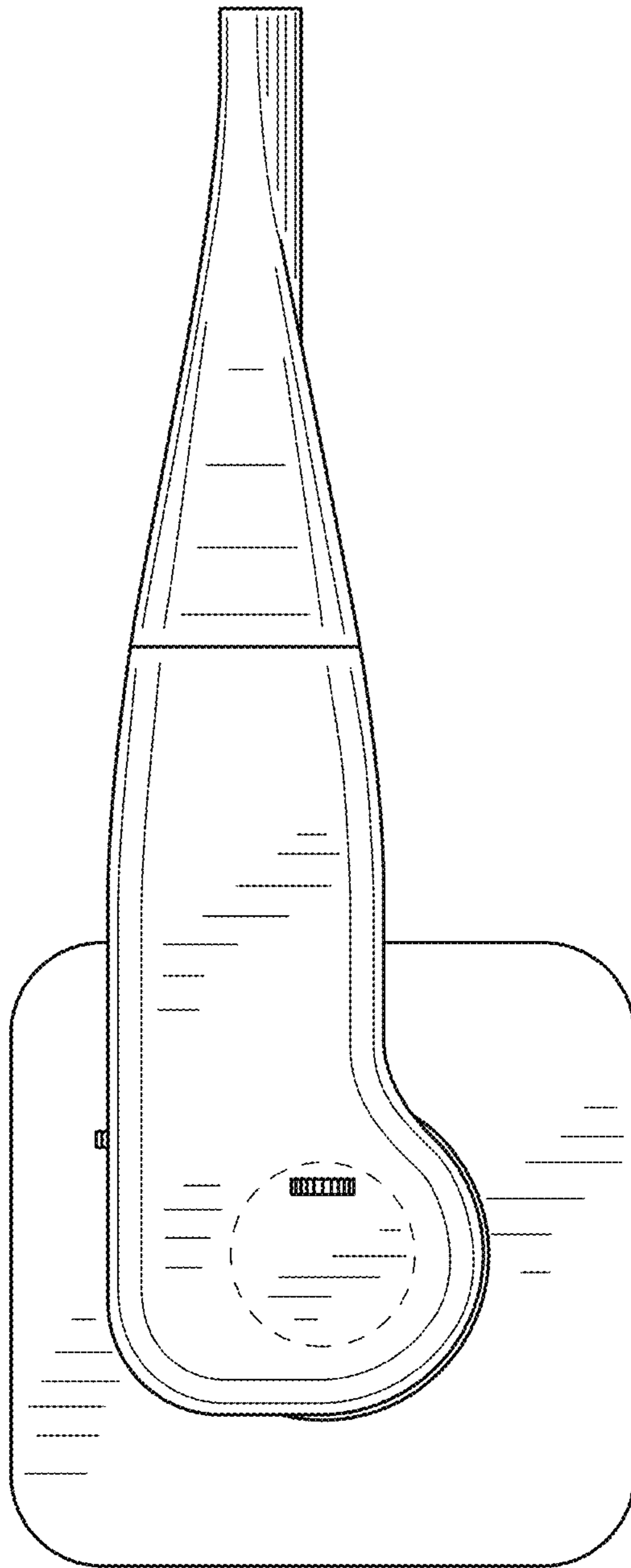


FIG.2

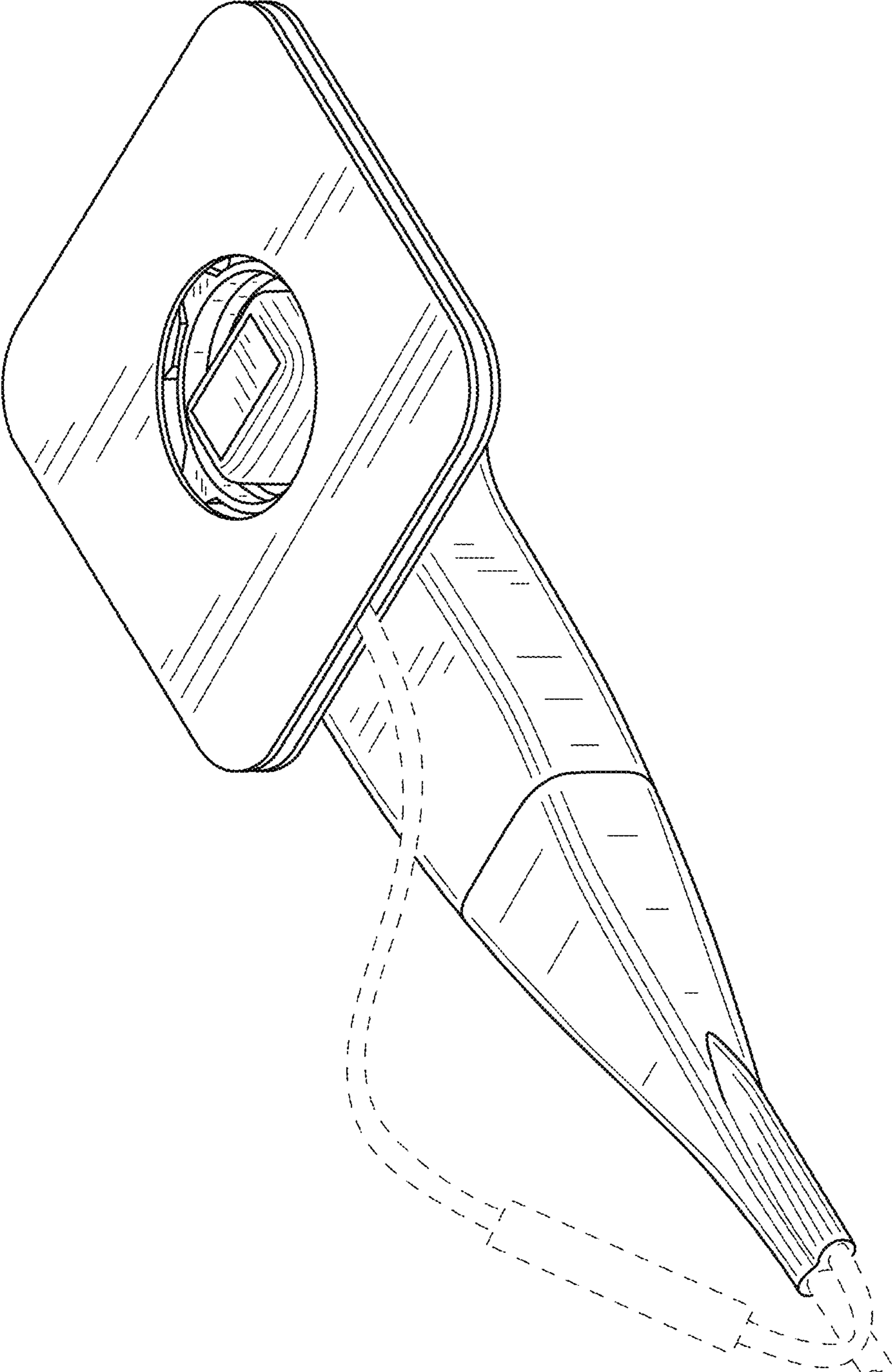


FIG. 3

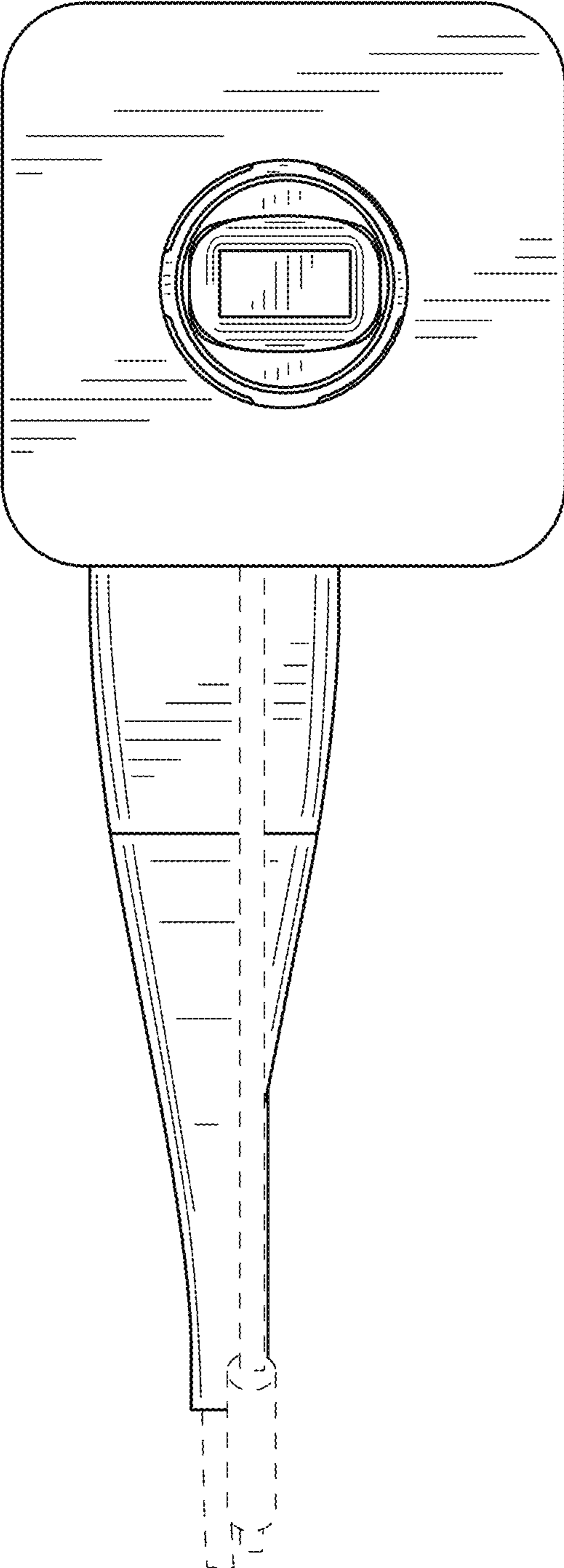


FIG.4

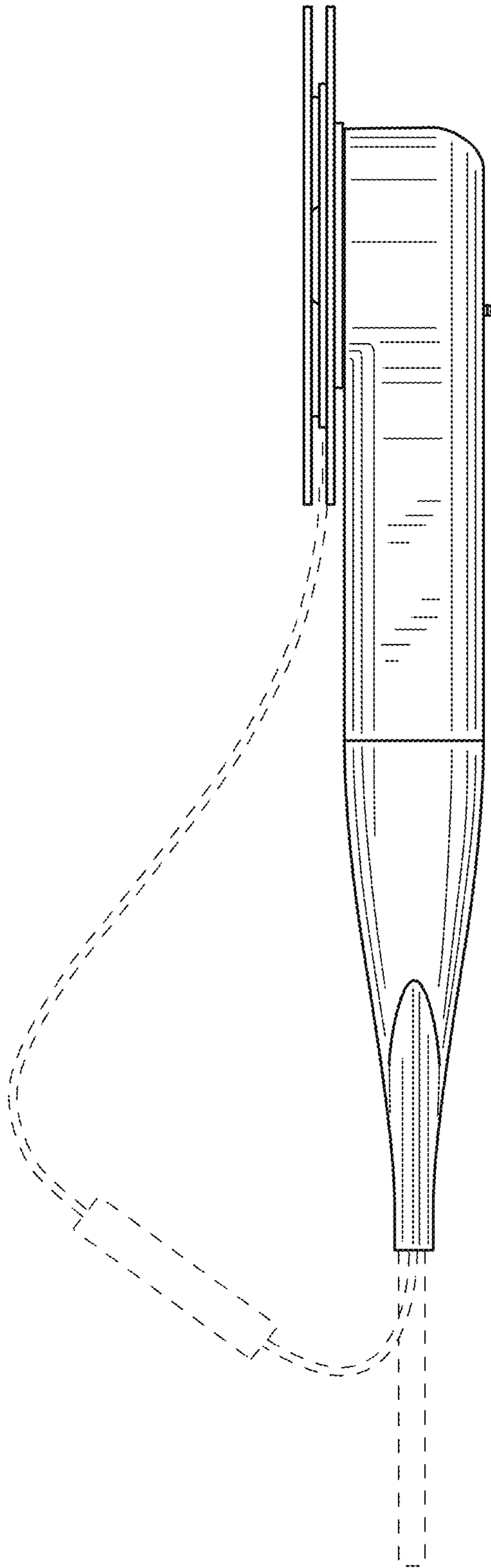


FIG.5

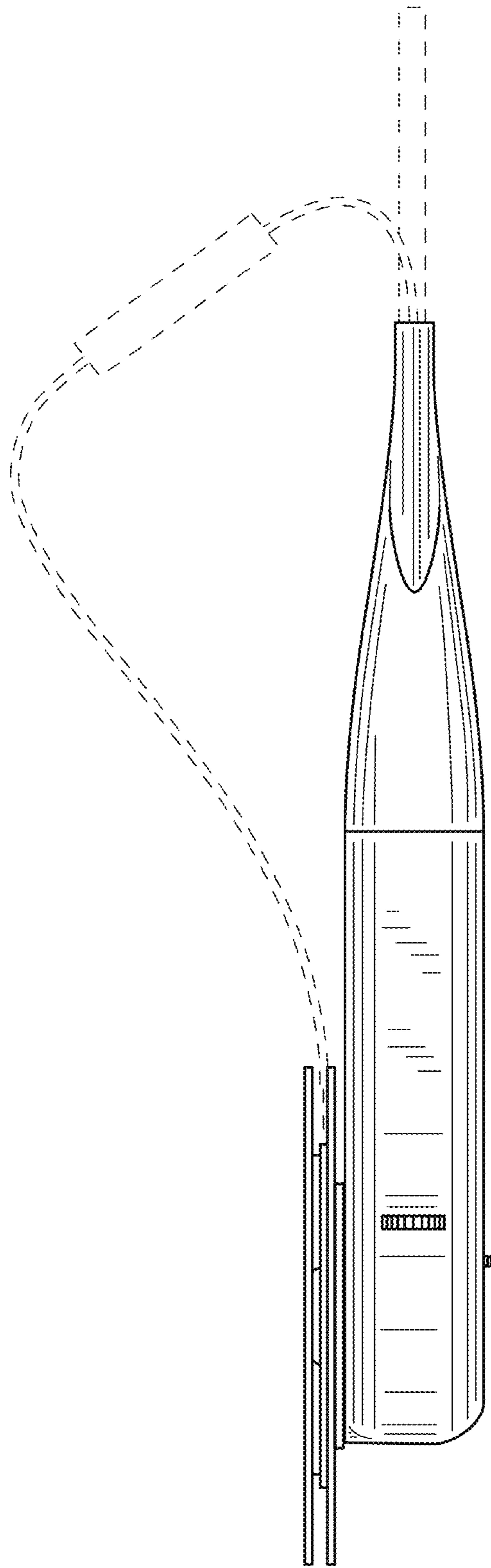


FIG.6



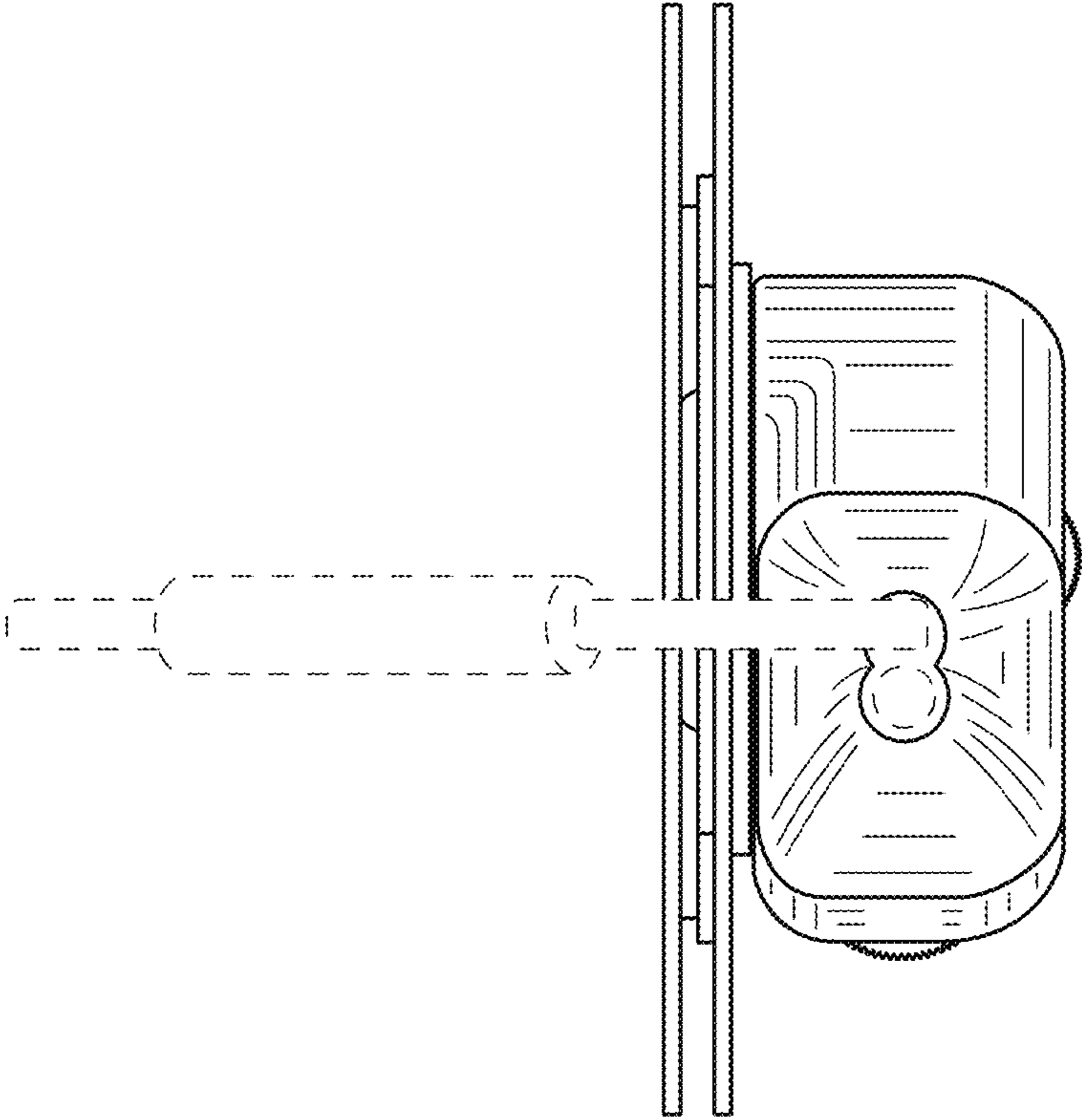


FIG.7

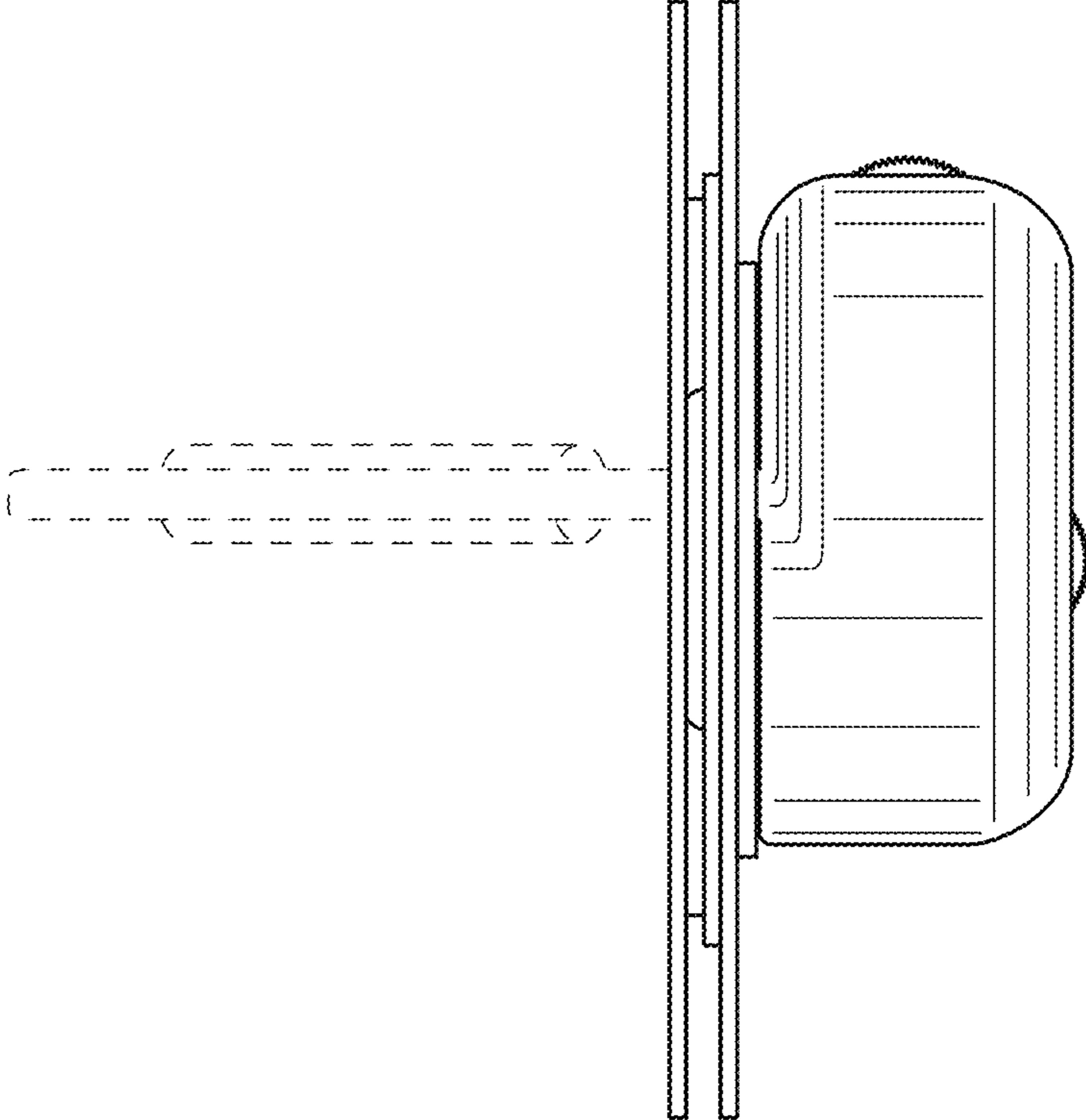


FIG.8