



US00D787683S

(12) **United States Design Patent**  
**Martin et al.**

(10) **Patent No.:** **US D787,683 S**  
(45) **Date of Patent:** **\*\* May 23, 2017**

(54) **COVER FOR A PROBE**

(71) Applicants: **WELCH ALLYN, INC.**, Skaneateles Falls, NY (US); **KAZ USA, INC.**, Southborough, MA (US)

(72) Inventors: **Scott A. Martin**, Warners, NY (US); **John A. Lane**, Weedsport, NY (US); **Matthew D. Mullin**, Memphis, NY (US); **David E. Quinn**, Auburn, NY (US); **John R. Strom**, Moravia, NY (US); **Dio Climaco Caverro**, North Merrick, NY (US); **Jeffrey M. Cross**, Westborough, MA (US)

(73) Assignees: **Welch Allyn, Inc.**, Skaneateles Falls, NY (US); **KAZ USA, Inc.**, Southborough, MA (US)

(\*\*) Term: **14 Years**

(21) Appl. No.: **29/477,379**

(22) Filed: **Dec. 20, 2013**

**Related U.S. Application Data**

(60) Continuation-in-part of application No. 29/455,442, filed on May 21, 2013, now Pat. No. Des. 716,953, (Continued)

(51) **LOC (10) Cl.** ..... **24-01**

(52) **U.S. Cl.**  
USPC ..... **D24/186; D10/60**

(58) **Field of Classification Search**  
USPC ..... D24/130, 135, 186, 231, 137, 141, 151, D24/173-174; D10/57, 60, 103;  
(Continued)

(56) **References Cited**

**U.S. PATENT DOCUMENTS**

3,110,304 A 11/1963 Hartman  
3,840,004 A 10/1974 Heine

(Continued)

**FOREIGN PATENT DOCUMENTS**

EP 0180368 A2 5/1986  
EP 1262753 A1 12/2002

(Continued)

**OTHER PUBLICATIONS**

Anonymous; "FirstTemp Genius Infrared Thermometer;" Tyco Healthcare; dated Feb. 2004; pp. 1-4.

(Continued)

*Primary Examiner* — Ian Simmons  
*Assistant Examiner* — Mark Cavanna

(74) *Attorney, Agent, or Firm* — Alston & Bird LLP

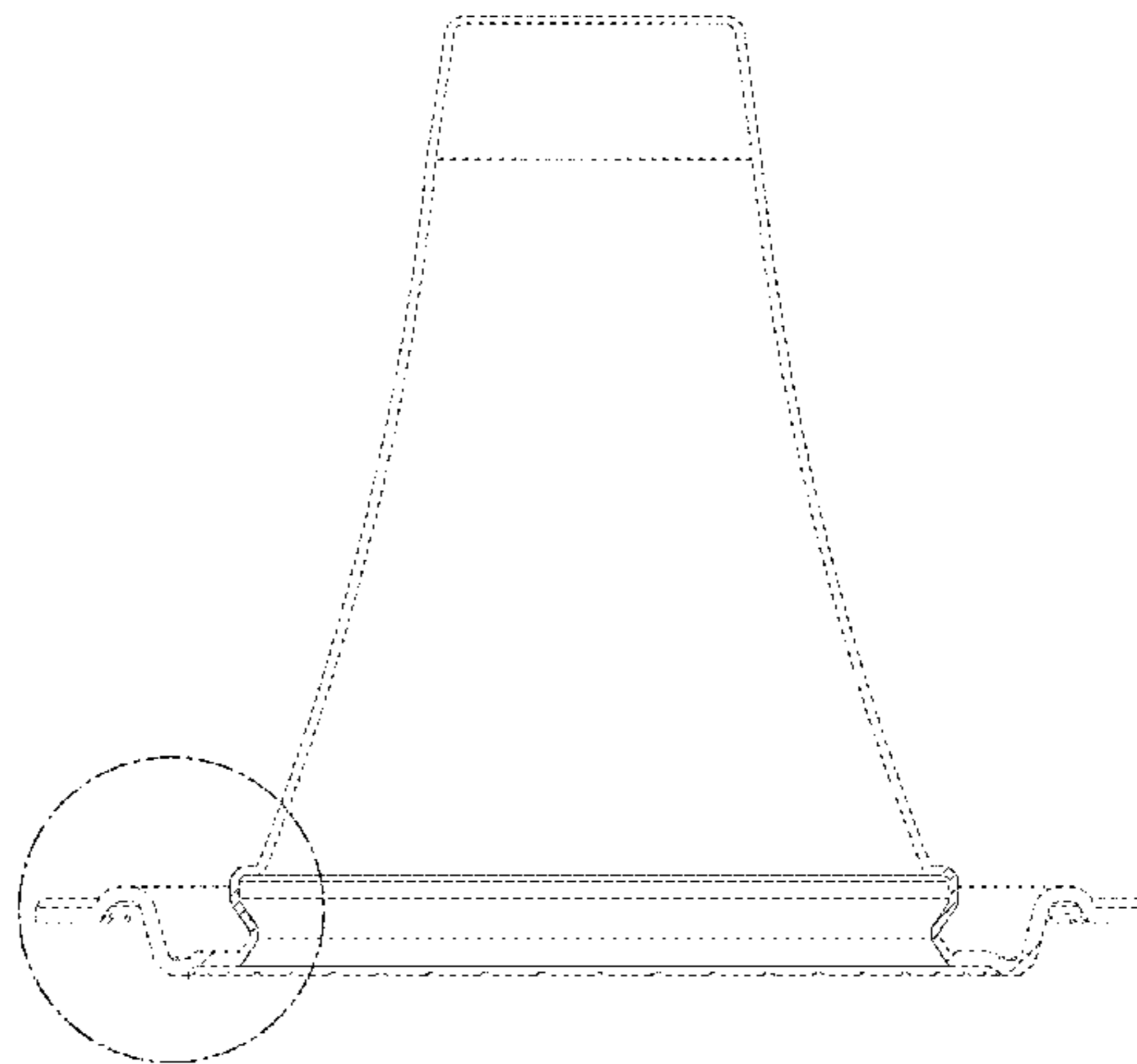
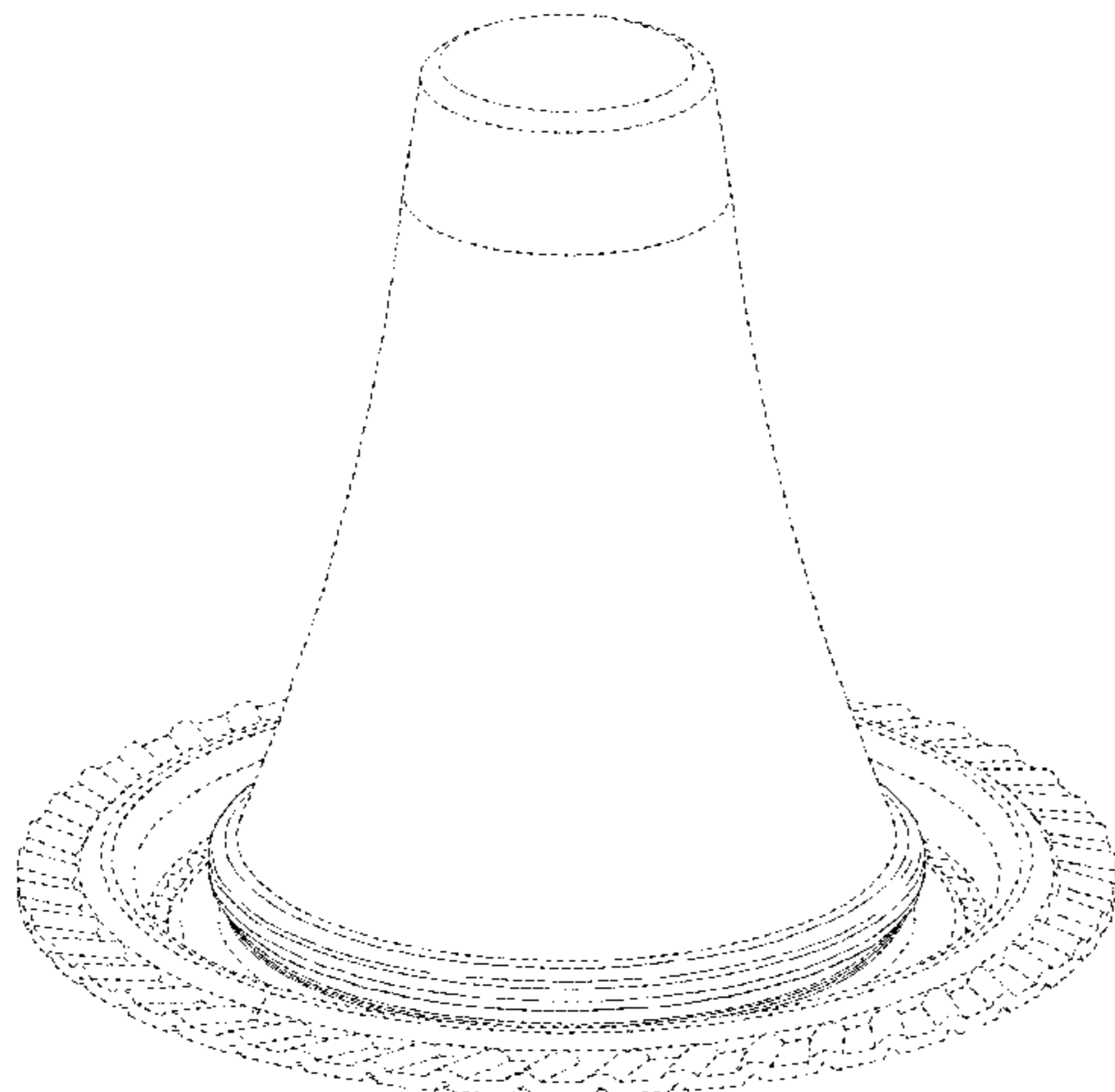
(57) **CLAIM**

The ornamental design for a cover for a probe, as shown and described.

**DESCRIPTION**

FIG. 1 is a top perspective view of a cover for a probe showing of our new design;  
FIG. 2 is a bottom perspective view thereof;  
FIG. 3 is a bisected cross-sectional view of the cover for a probe taken along line 3-3 in FIG. 7;  
FIG. 4 is an enlarged detail view of the bisected cross-sectional view of the encircled area 4 in FIG. 3;  
FIG. 5 is a bottom plan view of the cover for a probe;  
FIG. 6 is a side view thereof; and,  
FIG. 7 is a top plan view thereof.  
Broken lines immediately adjacent shaded areas represent bounds of the claimed design. All other broken lines are directed to environment or unclaimed features. The broken lines form no part of the claimed design.

**1 Claim, 6 Drawing Sheets**



**Related U.S. Application Data**

which is a division of application No. 29/429,431, filed on Aug. 10, 2012, now Pat. No. Des. 685,482, which is a continuation-in-part of application No. 13/196,700, filed on Aug. 2, 2011, now Pat. No. 8,876,373, which is a continuation-in-part of application No. 12/420,926, filed on Apr. 9, 2009, now Pat. No. 8,231,271.

(58) **Field of Classification Search**

USPC ..... 600/200, 474, 549; 374/121, 158, 374/208-209; D9/435, 443, 438, 447, D9/449, 454, 452, 434, 440; D7/396.2, D7/392, 387, 392.1; 220/212, 373, 253, 220/713-715, 717-719, 315, 740, 319, 220/174, 212.5, 711; 215/209, 387; 702/130  
CPC B65D 43/0208; B65D 43/0212; B65D 47/06; G01J 5/0003; G01J 5/021; A47G 23/0233; B21D 51/44; G01K 1/086; G01K 1/08

See application file for complete search history.

(56) **References Cited**

U.S. PATENT DOCUMENTS

3,878,836 A 4/1975 Twentier  
3,929,018 A 12/1975 Turner  
3,987,899 A 10/1976 Vyprachticky  
D246,352 S 11/1977 Dykstra  
D248,839 S 8/1978 Turner  
D267,154 S 12/1982 Bilgutay  
4,380,998 A 4/1983 Kieffer, III et al.  
D286,026 S \* 10/1986 Rayner ..... D9/435  
4,662,360 A 5/1987 O'Hara et al.  
4,784,149 A 11/1988 Berman et al.  
D303,008 S 8/1989 O'Hara et al.  
4,863,281 A 9/1989 Suszynski  
4,869,389 A \* 9/1989 Cerrone, Jr. .... B65D 17/16  
220/713  
4,880,136 A \* 11/1989 Englert ..... B65D 17/165  
220/253  
4,981,233 A \* 1/1991 Scheurer ..... B65B 31/046  
220/212  
D317,411 S \* 6/1991 Holmes ..... D9/435  
D318,812 S 8/1991 Matsuura et al.  
5,066,142 A 11/1991 DeFrank et al.  
5,088,834 A 2/1992 Howe et al.  
5,163,418 A 11/1992 Fraden et al.  
5,176,630 A 1/1993 Shilling et al.  
D333,702 S 3/1993 Hufman  
D337,521 S \* 7/1993 McNulty ..... D9/438  
5,293,862 A 3/1994 O'Hara et al.  
5,390,663 A 2/1995 Schaefer  
5,403,286 A 4/1995 Lockwood, Jr.  
5,411,032 A 5/1995 Esseff et al.  
D360,133 S \* 7/1995 Boller ..... D9/447  
5,507,406 A \* 4/1996 Urciuoli ..... B65D 43/021  
215/209  
5,516,010 A 5/1996 O'Hara et al.  
5,588,748 A 12/1996 Nomura et al.  
5,645,350 A 7/1997 Jang  
D382,801 S \* 8/1997 Samson ..... D9/435  
D388,172 S 12/1997 Cipes  
5,707,343 A 1/1998 O'Hara et al.  
5,795,067 A 8/1998 Fraden et al.  
D406,339 S 3/1999 Stacks  
5,893,833 A 4/1999 Pompei et al.  
5,906,437 A \* 5/1999 Lin ..... G01J 5/021  
374/158  
5,968,458 A 10/1999 Shaikho  
5,980,451 A 11/1999 O'Hara et al.  
D421,123 S 2/2000 Kugler et al.

6,022,140 A 2/2000 Fraden et al.  
6,042,266 A 3/2000 Cheslock et al.  
6,053,875 A 4/2000 Rosenbaum et al.  
6,123,454 A 9/2000 Canfield et al.  
6,129,673 A 10/2000 Fraden  
6,139,182 A 10/2000 Levatter et al.  
6,142,934 A 11/2000 Lagerway et al.  
6,152,596 A 11/2000 Fraden  
6,155,987 A 12/2000 Scherl  
6,224,256 B1 5/2001 Bala  
6,254,271 B1 7/2001 Lin  
6,332,090 B1 12/2001 DeFrank et al.  
6,347,243 B1 2/2002 Fraden  
6,367,973 B2 4/2002 Yamaka  
6,383,133 B1 5/2002 Jones  
6,390,671 B1 5/2002 Tseng  
6,461,037 B1 10/2002 O'Leary  
6,513,970 B1 2/2003 Tabata et al.  
6,612,735 B2 9/2003 Tomioka et al.  
6,695,474 B2 2/2004 Beerwerth et al.  
6,751,497 B2 6/2004 Fraden  
D495,600 S \* 9/2004 Kouri ..... D9/435  
6,786,636 B1 9/2004 Huang et al.  
6,789,936 B1 9/2004 Kraus et al.  
6,850,789 B2 2/2005 Schweitzer et al.  
D514,445 S \* 2/2006 Smith ..... D9/447  
D516,910 S \* 3/2006 Bresler ..... D9/447  
7,037,083 B2 5/2006 O'Neil et al.  
D523,746 S \* 6/2006 Snedden ..... D9/435  
D523,747 S \* 6/2006 Snedden ..... D9/435  
7,083,330 B1 8/2006 Yao  
7,237,949 B2 7/2007 Lantz et al.  
D562,134 S \* 2/2008 Studee ..... D9/452  
D562,135 S \* 2/2008 Studee ..... D9/452  
D566,270 S \* 4/2008 Strom ..... D24/137  
7,354,194 B2 4/2008 Walker et al.  
D572,587 S \* 7/2008 Rush ..... D9/447  
7,494,273 B2 2/2009 Huang et al.  
D591,595 S \* 5/2009 Tedford, Jr. .... D9/447  
7,540,392 B2 \* 6/2009 Cipra ..... B65F 1/1607  
220/319  
7,556,424 B2 7/2009 Walker et al.  
7,585,108 B2 9/2009 Chuang et al.  
D612,236 S \* 3/2010 Sturk ..... D9/443  
D623,941 S \* 9/2010 Bendix ..... D9/447  
7,841,767 B2 11/2010 Harr  
7,874,447 B2 \* 1/2011 Schmidtner ..... B65D 43/0208  
220/714  
D632,174 S \* 2/2011 Charbonnet ..... D9/447  
7,959,029 B2 \* 6/2011 Whitaker ..... B65D 43/0212  
215/387  
D641,239 S \* 7/2011 Ramsey ..... D7/387  
D641,622 S \* 7/2011 Fields ..... D7/387  
D647,400 S \* 10/2011 Fields ..... D7/392.1  
8,074,831 B2 \* 12/2011 Walker ..... B65D 43/0208  
220/780  
D652,298 S \* 1/2012 Caldwell ..... D9/435  
D652,719 S \* 1/2012 Caldwell ..... D9/435  
8,092,082 B2 \* 1/2012 Hsieh ..... G01J 5/0003  
374/209  
D655,415 S \* 3/2012 Chaffringeon ..... D24/141  
D660,696 S \* 5/2012 Weiss ..... D9/454  
D675,922 S \* 2/2013 MacNeill ..... D9/438  
D676,745 S \* 2/2013 MacNeill ..... D9/443  
8,561,834 B2 \* 10/2013 Ziegler ..... A47G 23/0233  
220/212.5  
D704,053 S \* 5/2014 Kim ..... D9/447  
D705,058 S \* 5/2014 Kim ..... D9/447  
8,727,169 B2 \* 5/2014 Nguyen ..... B21D 51/44  
220/315  
8,794,479 B2 \* 8/2014 Lin ..... B65D 47/06  
220/711  
8,949,065 B2 \* 2/2015 Holderle ..... G01J 5/021  
702/130  
9,285,276 B2 \* 3/2016 Fraden ..... G01K 1/08  
2002/0085616 A1 7/2002 Yu  
2002/0163955 A1 11/2002 Yu

(56)

References Cited

U.S. PATENT DOCUMENTS

2003/0043884 A1\* 3/2003 Ko ..... G01J 5/02  
374/158

2003/0179809 A1 9/2003 Nakagawa

2004/0256387 A1\* 12/2004 Smith ..... B65D 43/0212  
220/713

2005/0027168 A1 2/2005 Strom et al.

2005/0027169 A1 2/2005 Goldfain et al.

2005/0043588 A1 2/2005 Tsai

2005/0085733 A1 4/2005 Wong

2005/0127075 A1\* 6/2005 Smith ..... B65D 17/506  
220/253

2006/0020176 A1 1/2006 Berall

2006/0120432 A1 6/2006 Lantz et al.

2006/0165152 A1 7/2006 Walker et al.

2007/0058692 A1\* 3/2007 Huang ..... G01J 5/02  
374/209

2007/0189358 A1 8/2007 Lane et al.

2008/0123717 A1 5/2008 Lane et al.

2008/0203078 A1 8/2008 Huerter

2009/0129437 A1 5/2009 Chuang et al.

2010/0260230 A1 10/2010 Lane et al.

2011/0134962 A1 6/2011 Fraden

2011/0257521 A1 10/2011 Fraden

2012/0027047 A1\* 2/2012 Lane ..... G01J 5/021  
374/209

2012/0152968 A1\* 6/2012 Bailey ..... B65D 43/0212  
220/713

2013/0202011 A1\* 8/2013 Mullin ..... G01J 5/021  
374/158

2014/0119406 A1\* 5/2014 Chen ..... G01K 1/086  
374/209

2015/0014322 A1\* 1/2015 Kim ..... B65D 43/0212  
220/373

FOREIGN PATENT DOCUMENTS

EP 1857037 A1 11/2007

WO WO-95/00067 A1 1/1995

WO WO-97/19332 A1 5/1997

WO WO-99/42760 A1 8/1999

WO WO-02/056756 A2 7/2002

WO WO-2004/063686 A1 7/2004

WO WO-2010/078219 A1 7/2010

OTHER PUBLICATIONS

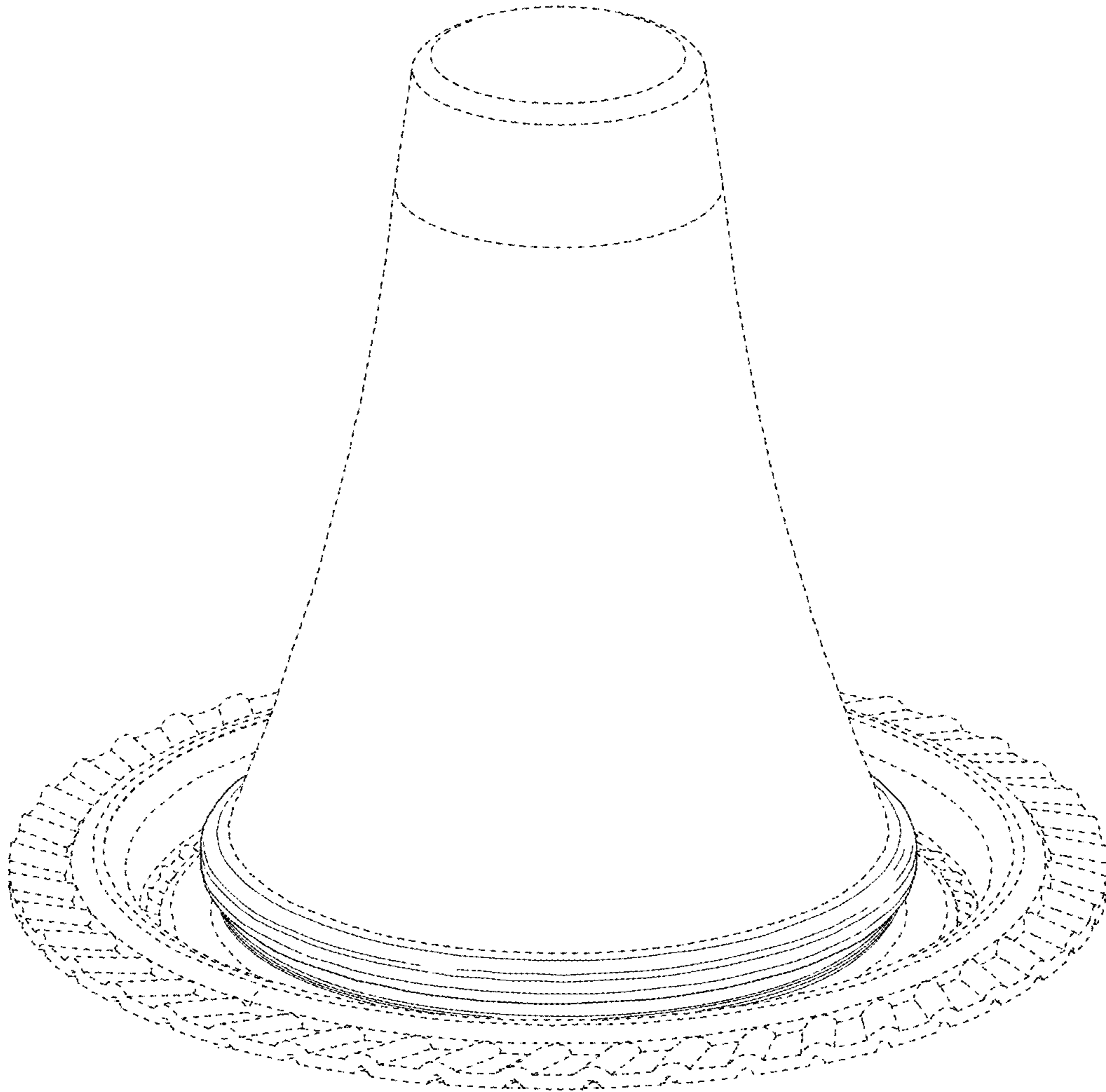
International Search Report for PCT Application No. PCT/US2008/073956; mailed Mar. 10, 2009; 4 pages.

International Search Report and Written Opinion for PCT Application No. PCT/US2010/030233; mailed Jun. 17, 2009; 9 pages.

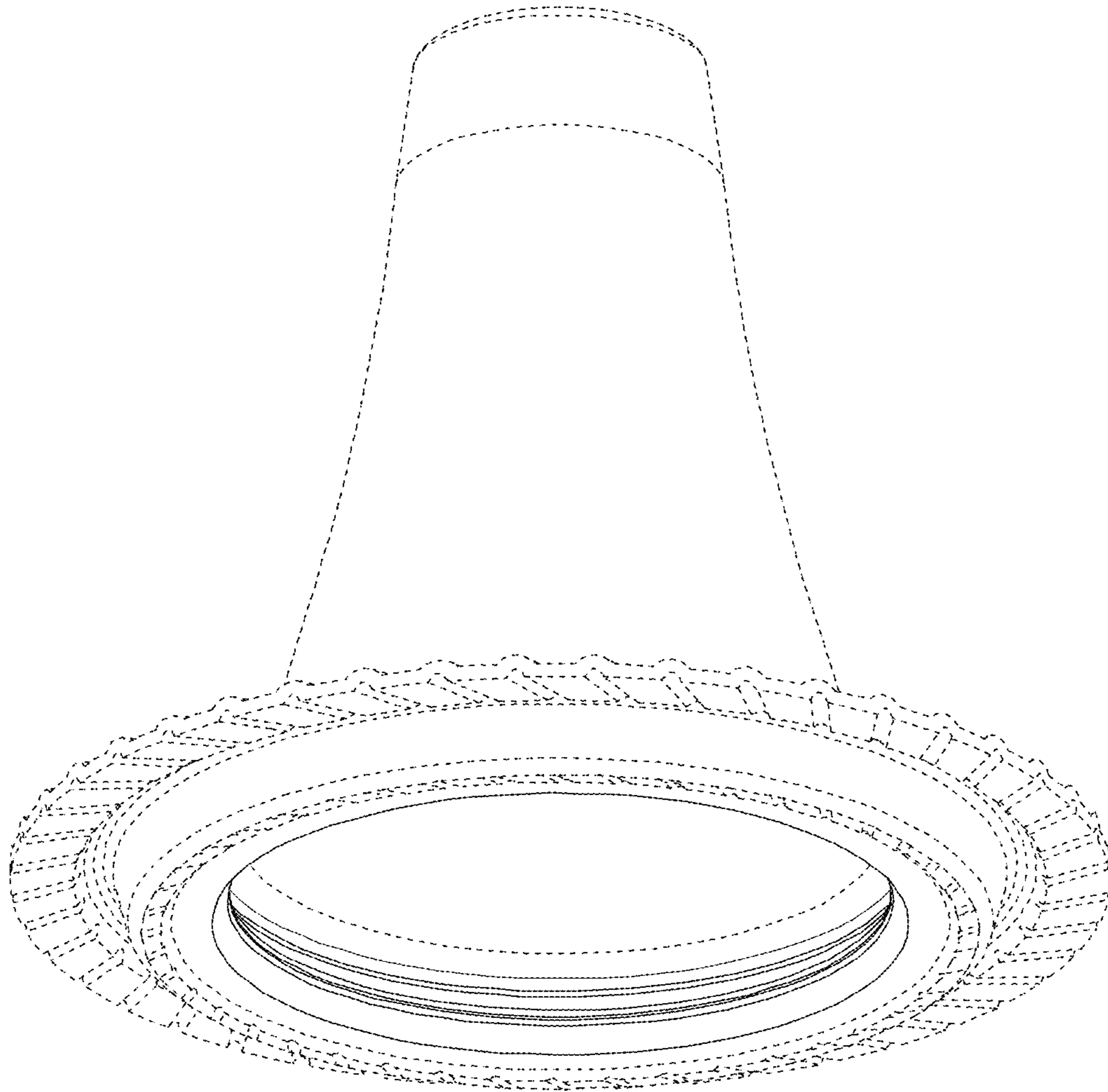
Supplemental European Search Report for Application No. EP08798437.3; dated Oct. 27, 2010; 7 pages.

U.S. Appl. No. 11/678,357, filed Feb. 23, 2007; first named inventor: Huerter.

\* cited by examiner



**FIG. 1**



**FIG. 2**

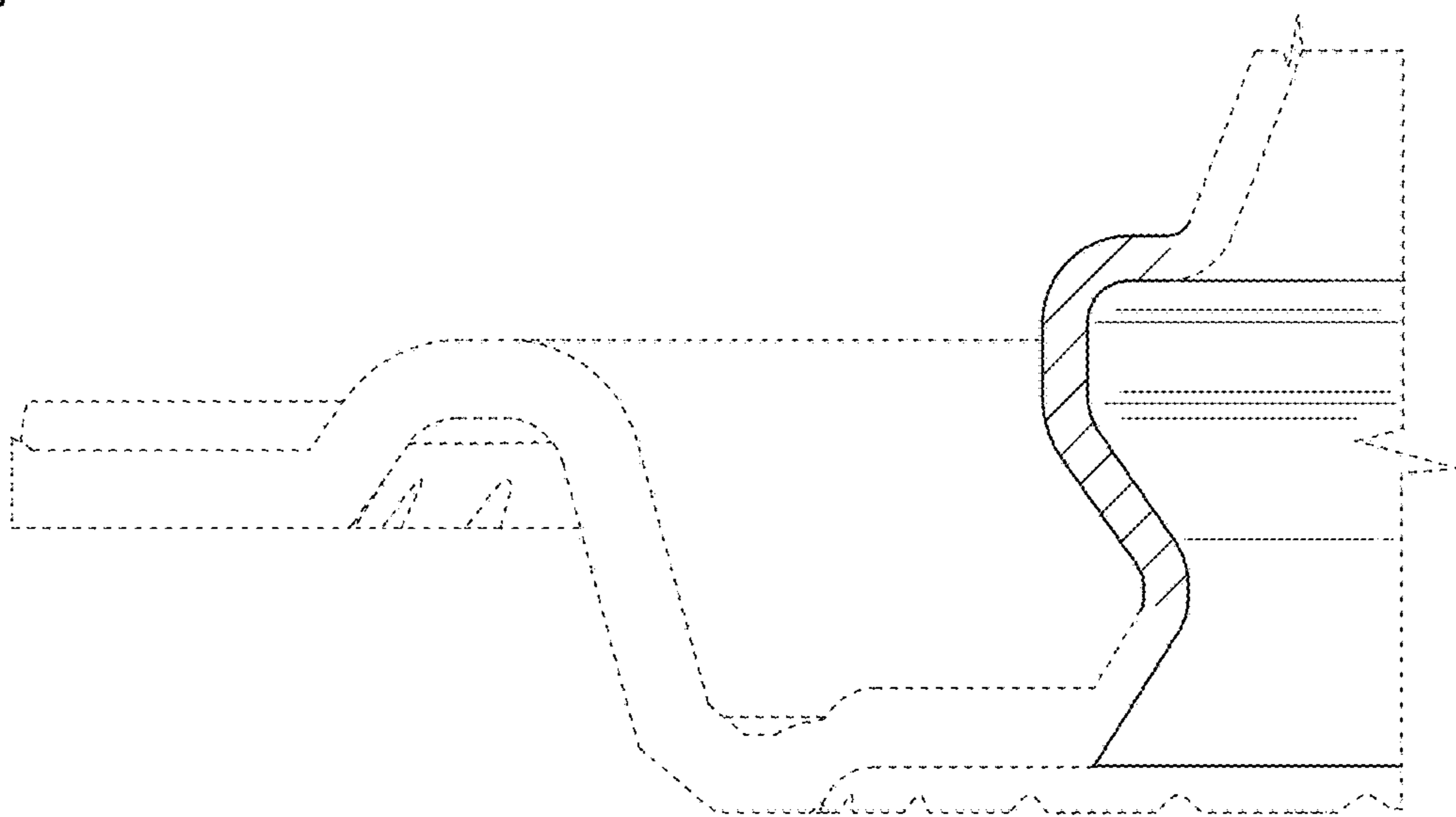
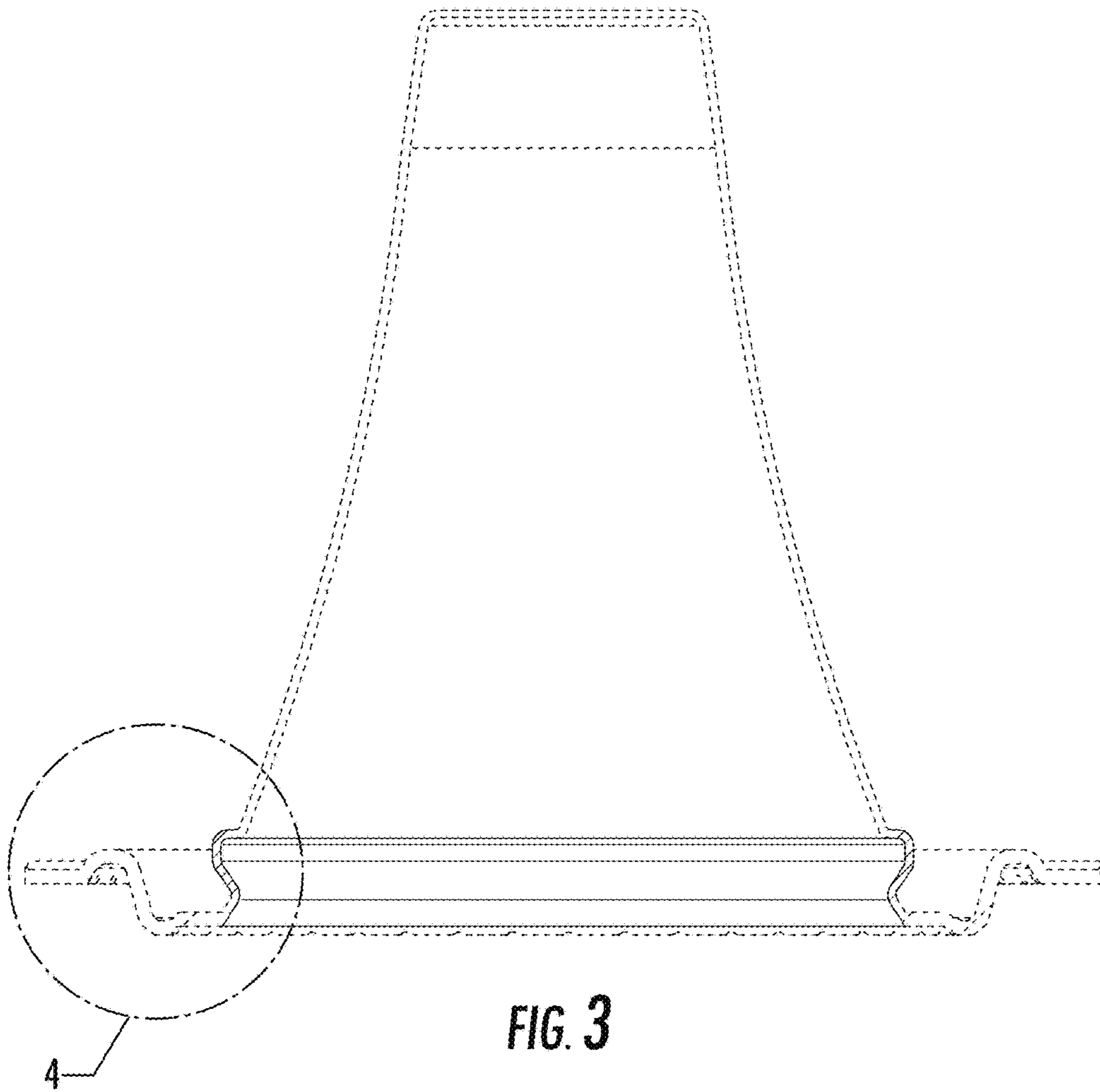


FIG. 4

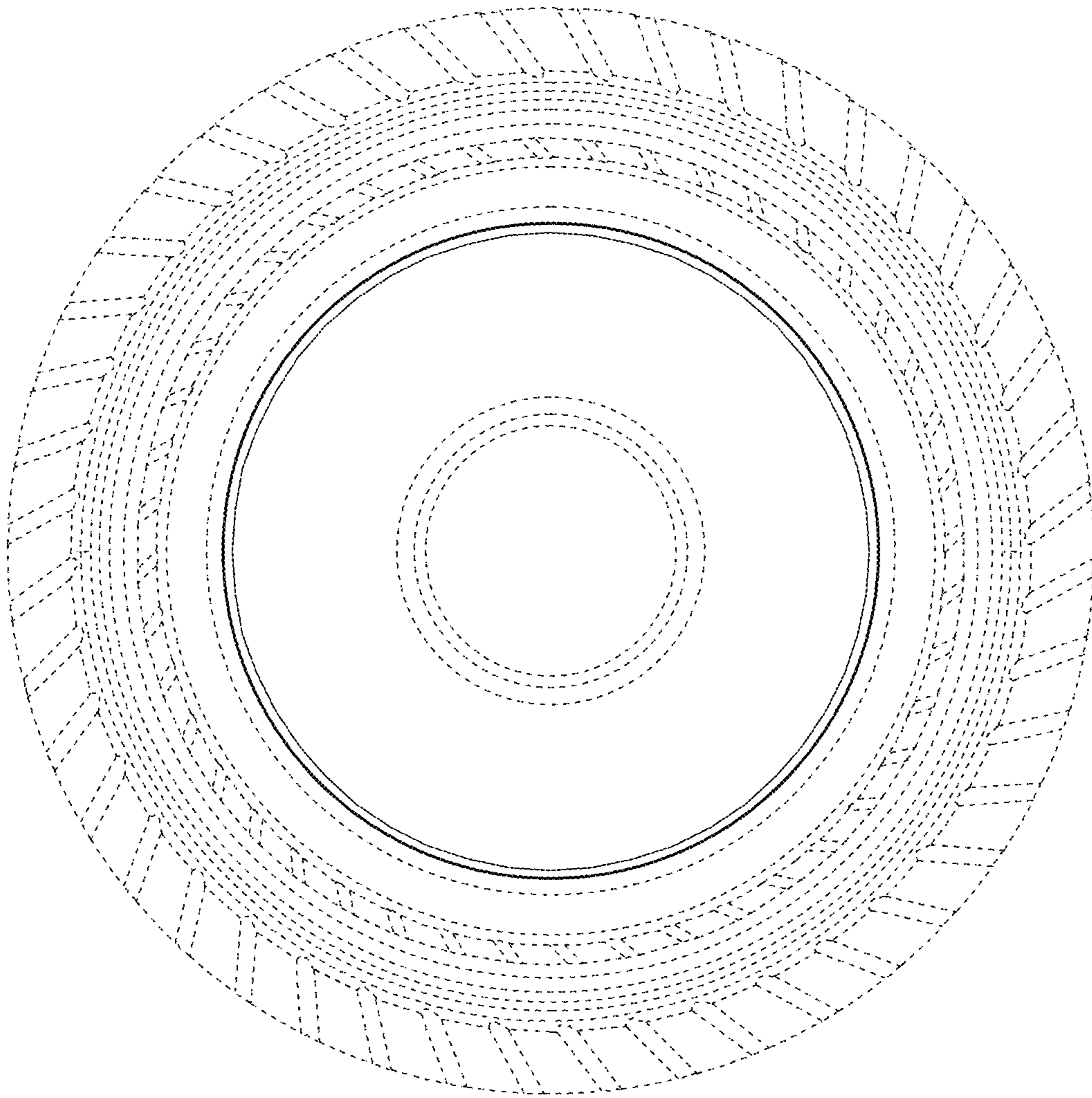
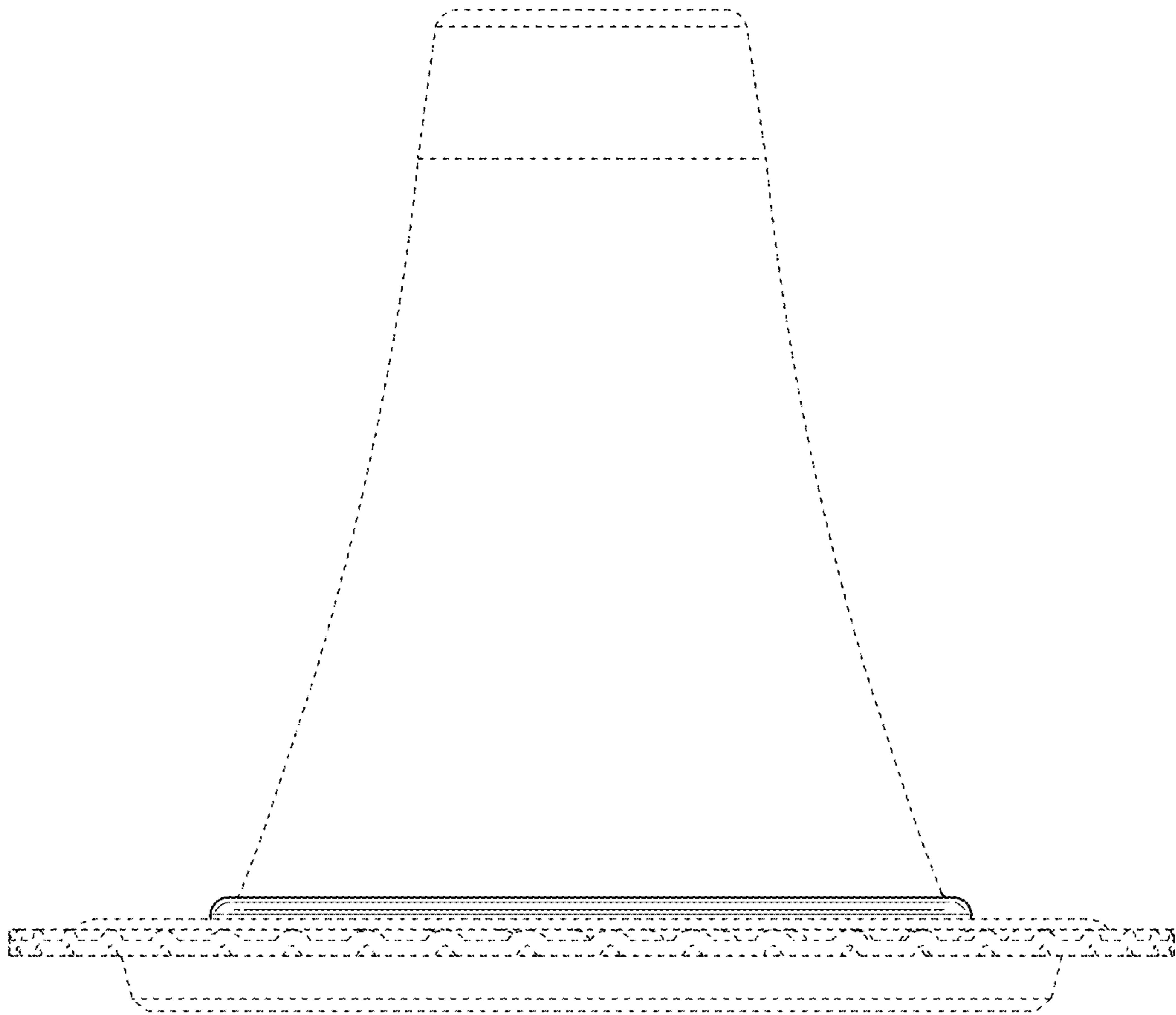


FIG. 5



**FIG. 6**



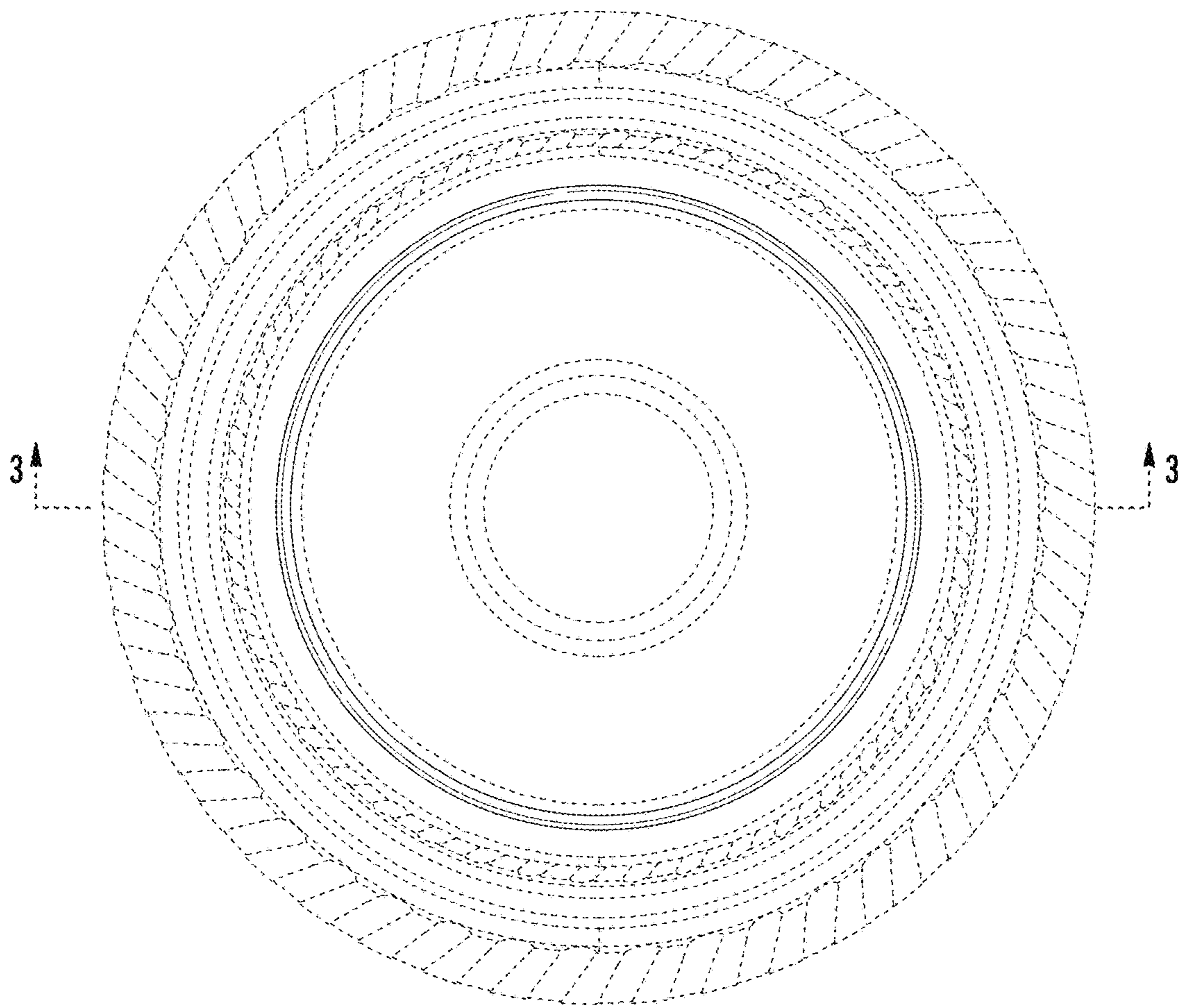


FIG. 7