



US00D787681S

(12) **United States Design Patent** (10) **Patent No.:** **US D787,681 S**
Montgomery (45) **Date of Patent:** **** May 23, 2017**

(54) **WELL-LEG HOLDER FOR MEDICAL PROCEDURE**
(71) Applicant: **Thomas J. Montgomery**, Lafayette, LA (US)
(72) Inventor: **Thomas J. Montgomery**, Lafayette, LA (US)
(**) Term: **15 Years**
(21) Appl. No.: **29/557,396**
(22) Filed: **Mar. 8, 2016**
(51) **LOC (10) Cl.** **24-01**
(52) **U.S. Cl.**
USPC **D24/184**
(58) **Field of Classification Search**
USPC D24/158, 168, 190-192, 183-184; D6/567, 709; 5/628, 601, 603, 613, 608, 5/623-625, 648, 310, 650; 128/877-882, 128/869-870, 845; 297/423.19, 423.28, 297/423.17, 423.4, 466, 423.39; D29/100, 101.1; 378/178; 600/499; 602/16, 23, 26-27; 248/188, 188.8, 845, 248/188.9
CPC A61G 7/015; A61G 5/12; A61G 13/00; A61G 13/12; A61G 7/0755; A61G 7/065; A61G 1/04; A61G 10/005; A61G 1/01; A61G 1/007; A61G 13/0045; A61B 17/326; A61B 6/0421; A61F 5/05883; A61F 5/3776; A61F 5/3707; G03B 42/025; A47C 7/50
See application file for complete search history.

(56) **References Cited**
U.S. PATENT DOCUMENTS
828,007 A * 8/1906 Williams A61G 7/015 5/613
2,609,864 A * 9/1952 Gates, Jr. A61G 5/12 297/423.19

2,995,407 A * 8/1961 Rafferty A61B 17/326 128/870
3,227,439 A * 1/1966 Carlson A61G 13/00 5/608
3,469,268 A * 9/1969 Phillips A61F 5/05883 128/870
D222,760 S * 12/1971 Meyer D24/168
3,650,523 A * 3/1972 Darby, Jr. A61F 5/3707 128/870
D228,472 S * 9/1973 Tayman D24/158
3,967,128 A * 6/1976 Smulewicz G03B 42/025 5/603
4,043,330 A 8/1977 Bansal
4,143,654 A 3/1979 Sherman
4,239,200 A * 12/1980 Sarrafian A61G 13/12 5/624

(Continued)

Primary Examiner — Ian Simmons
Assistant Examiner — Mark Cavanna
(74) *Attorney, Agent, or Firm* — Greg R. Mier

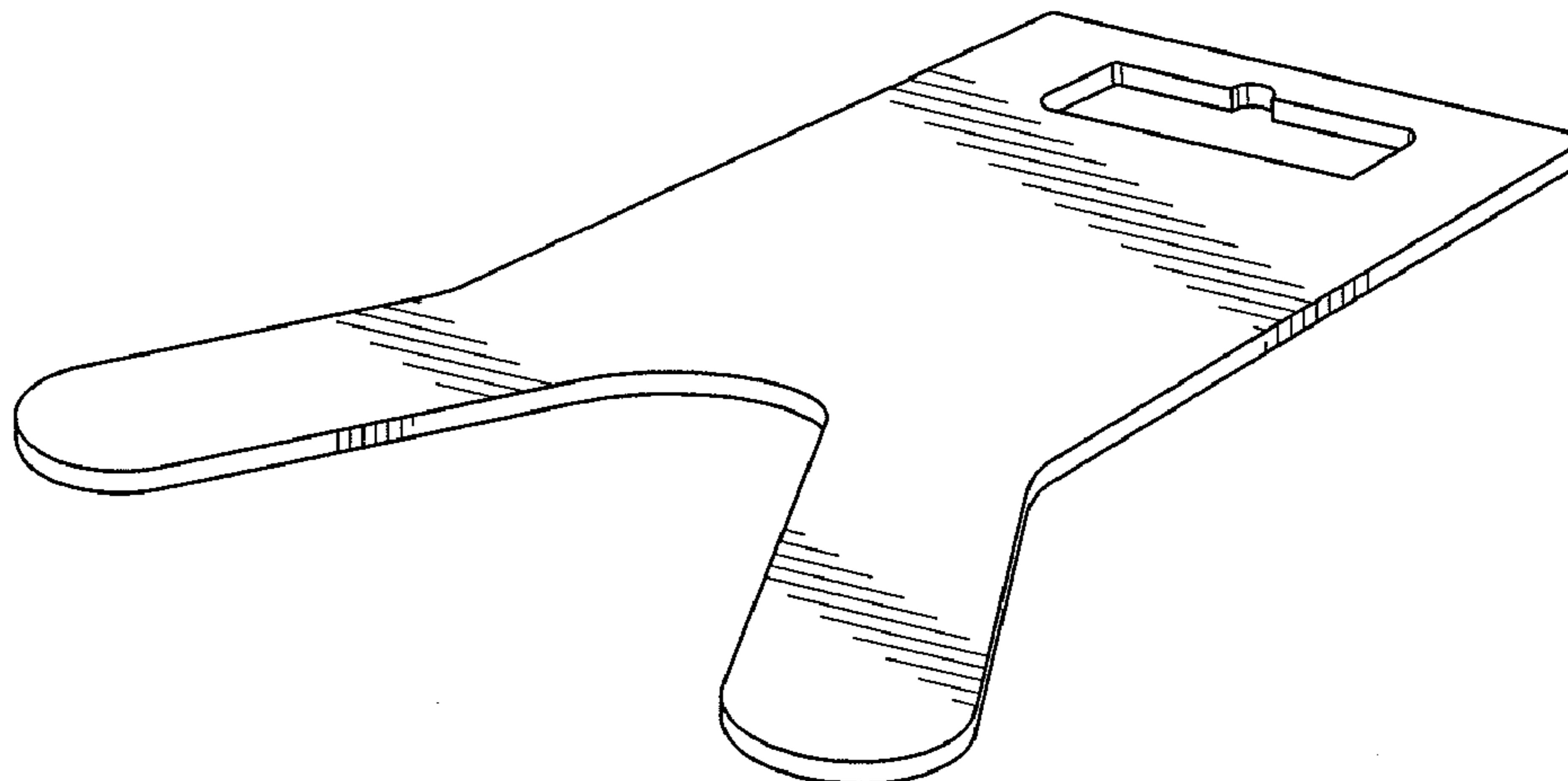
(57) **CLAIM**

The ornamental design for a well-leg holder for medical procedure, as shown.

DESCRIPTION

FIG. 1 is a perspective view of the well-leg holder for medical procedure showing my new design.
FIG. 2 is a top view of the well-leg holder for medical procedure showing my new design.
FIG. 3 is an end view of the well-leg holder for medical procedure showing my new design.
FIG. 4 is another end view of the well-leg holder for medical procedure showing my new design.
FIG. 5 is a side view of the well-leg holder for medical procedure showing my new design.
FIG. 6 is another side view of the well-leg holder for medical procedure showing my new design; and,
FIG. 7 is a bottom view of the well-leg holder for medical procedure showing my new design.

1 Claim, 3 Drawing Sheets



(56)

References Cited

U.S. PATENT DOCUMENTS

4,286,588	A	9/1981	Lovegrove	
4,886,258	A	12/1989	Scott	
4,964,400	A	10/1990	Laico et al.	
5,027,799	A	7/1991	Laico et al.	
D329,216	S *	9/1992	Beeley	D24/183
5,608,934	A	3/1997	Torrie et al.	
D389,580	S *	1/1998	Keselman	D24/184
5,785,057	A	7/1998	Fischer	
5,790,998	A *	8/1998	Crescimbeni	A61G 7/0755 5/648
5,934,282	A	8/1999	Young, III et al.	
D423,104	S *	4/2000	Pachal	D24/183
6,154,902	A *	12/2000	Russillio	A61G 7/065 5/623
6,221,036	B1	4/2001	Lucas	
6,443,157	B1	9/2002	Sargent	
6,810,544	B1 *	11/2004	Smith	A47C 7/50 297/423.28
6,912,747	B2 *	7/2005	DuPree	A61G 1/01 5/625
6,915,805	B2 *	7/2005	Crutchfield	A61G 1/04 128/870
7,028,357	B2	4/2006	Holland	
7,036,167	B2	5/2006	Tomcany et al.	
7,100,225	B1	9/2006	Bailey et al.	
D561,341	S *	2/2008	Riley	D24/184
D565,734	S *	4/2008	Scott	D24/183
D604,420	S *	11/2009	Riley	D24/183
7,673,355	B2 *	3/2010	Fischer	A61G 1/007 5/625
D655,418	S *	3/2012	Hancock	D24/183
D739,030	S *	9/2015	Phlegar	D24/183
D765,865	S *	9/2016	Keast	D24/183
2010/0218776	A1 *	9/2010	Orihashi	A61G 13/0045 128/879

* cited by examiner

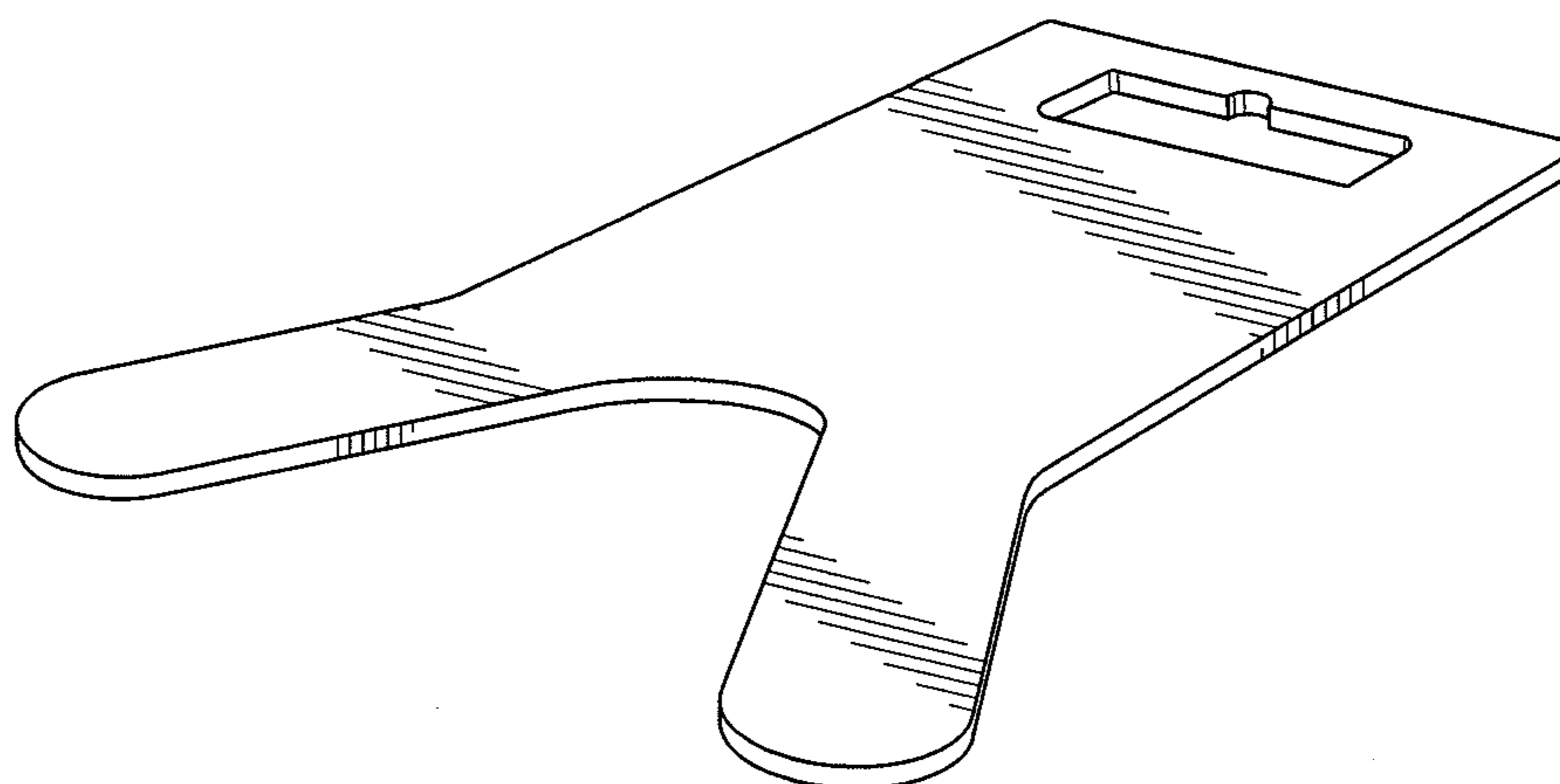


FIG. 1

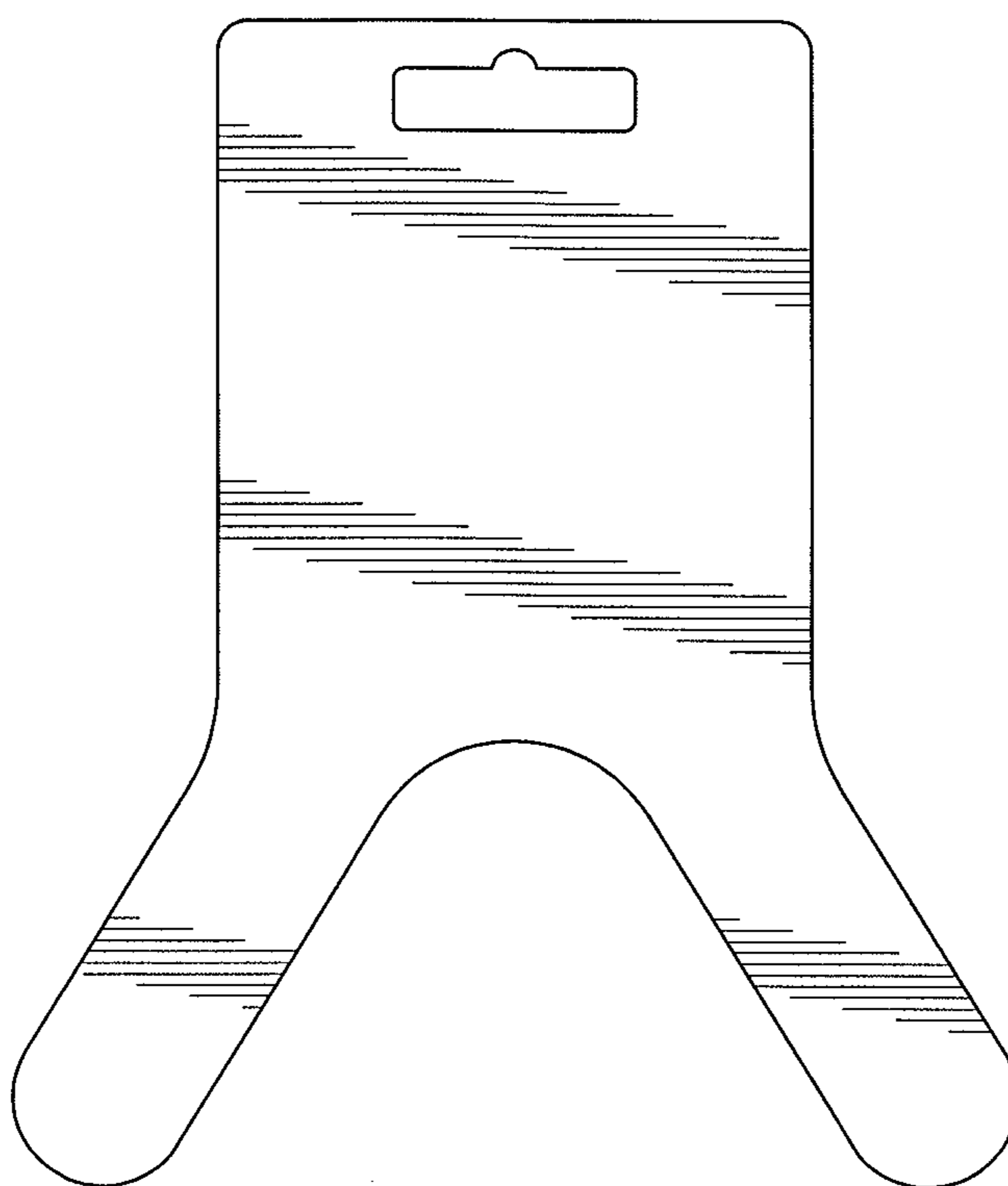


FIG. 2



FIG. 3

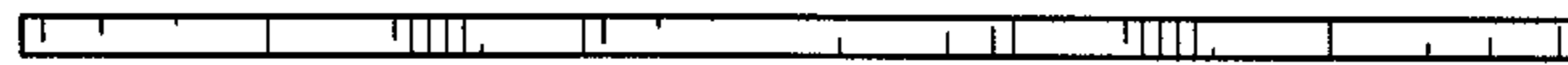


FIG. 4



FIG. 5



FIG. 6

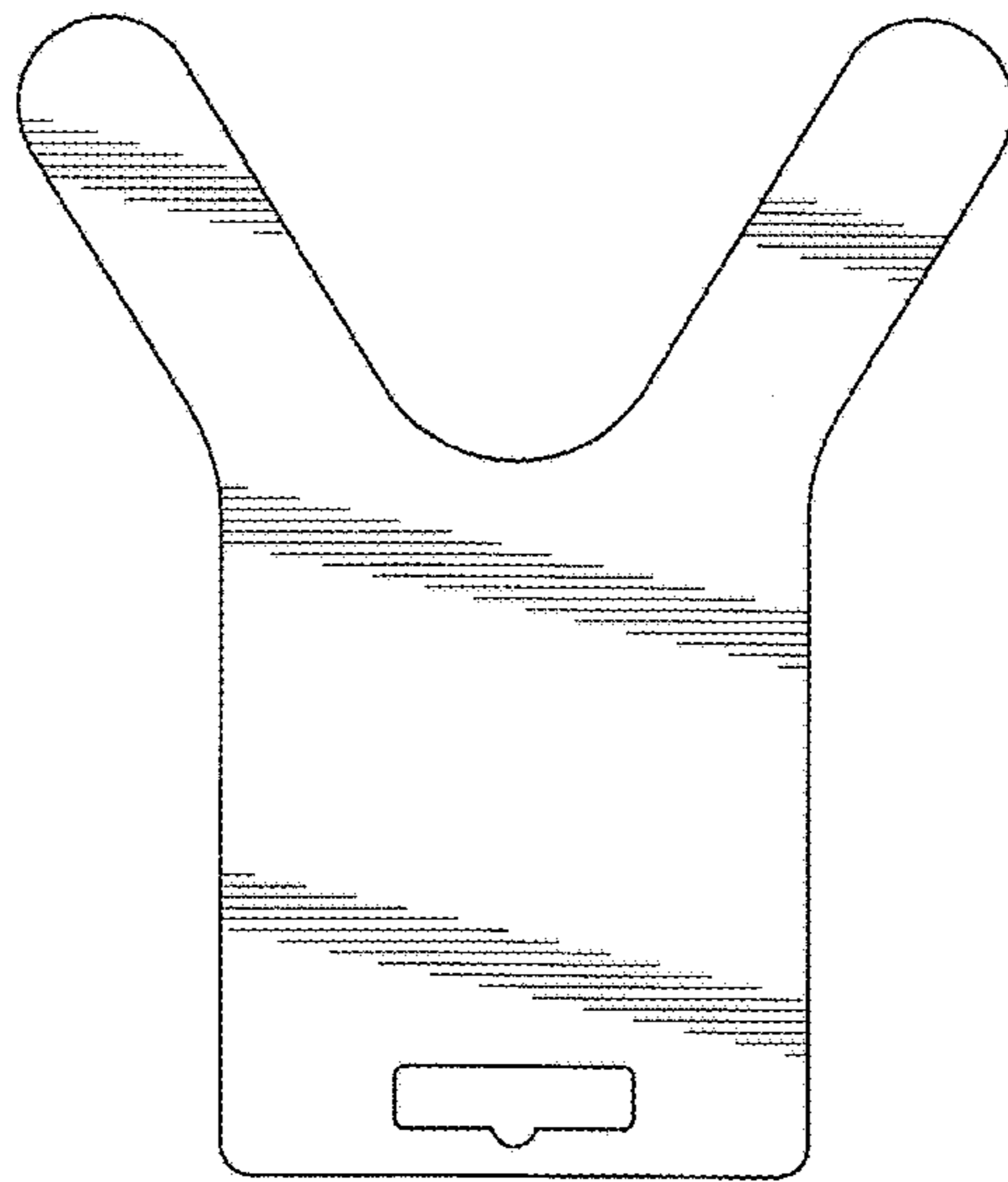


FIG. 7