



US00D787679S

(12) **United States Design Patent** (10) **Patent No.:** **US D787,679 S**
Sul (45) **Date of Patent:** **** May 23, 2017**

(54) **RADIO FREQUENCY COIL FOR MAGNETIC RESONANCE IMAGE DEVICE**

(71) Applicant: **Samsung Electronics Co., Ltd.**,
Suwon-si (KR)

(72) Inventor: **Sungwoo Sul**, Yongin-si (KR)

(73) Assignee: **Samsung Electronics Co., Ltd.**,
Suwon-si (KR)

(**) Term: **15 Years**

(21) Appl. No.: **29/557,876**

(22) Filed: **Mar. 14, 2016**

(30) **Foreign Application Priority Data**

Nov. 6, 2015 (KR) 30-2015-0056145

(51) **LOC (10) Cl.** **24-01**

(52) **U.S. Cl.**
USPC **D24/158**

(58) **Field of Classification Search**

USPC D24/158-161, 185, 186, 107

CPC .. A61B 5/05; A61B 5/055; A61B 6/03; A61B

6/035; G01R 33/4806; G01R 33/4812

See application file for complete search history.

(56) **References Cited**

U.S. PATENT DOCUMENTS

5,327,898 A * 7/1994 Yoshino G01R 33/3678
324/318

D380,832 S * 7/1997 Isshiki D24/158

D566,280 S * 4/2008 Baba D24/158

D650,906 S * 12/2011 Phillips D24/158

D701,314 S * 3/2014 Davis D24/158

8,952,695 B2 * 2/2015 Davis G01R 33/34007
324/318

2009/0306495 A1* 12/2009 Scarth G01R 33/307
600/415

2011/0026801 A1* 2/2011 Dohata G01R 33/34007
382/131

2015/0057525 A1* 2/2015 Tomiha A61B 5/0051
600/410

2015/0219737 A1* 8/2015 Fenchel A61B 5/055
600/411

2016/0033589 A1* 2/2016 Ota G01R 33/3415
600/417

FOREIGN PATENT DOCUMENTS

CN 201330179681 5/2013

CN 201530121226 9/2015

* cited by examiner

Primary Examiner — Anhdao Doan

(74) *Attorney, Agent, or Firm* — NSIP Law

(57) **CLAIM**

I claim the ornamental design for a radio frequency coil for magnetic resonance image device, as shown and described.

DESCRIPTION

FIG. 1 is a front perspective view of a radio frequency coil for magnetic resonance image device showing my new design;

FIG. 2 is a front view thereof;

FIG. 3 is a rear view thereof;

FIG. 4 is a left-side view thereof;

FIG. 5 is a right-side view thereof;

FIG. 6 is a top plan view thereof; and,

FIG. 7 is a bottom plan view thereof.

The broken lines in the figures depict environmental subject matter and form no part of the claimed design.

1 Claim, 5 Drawing Sheets

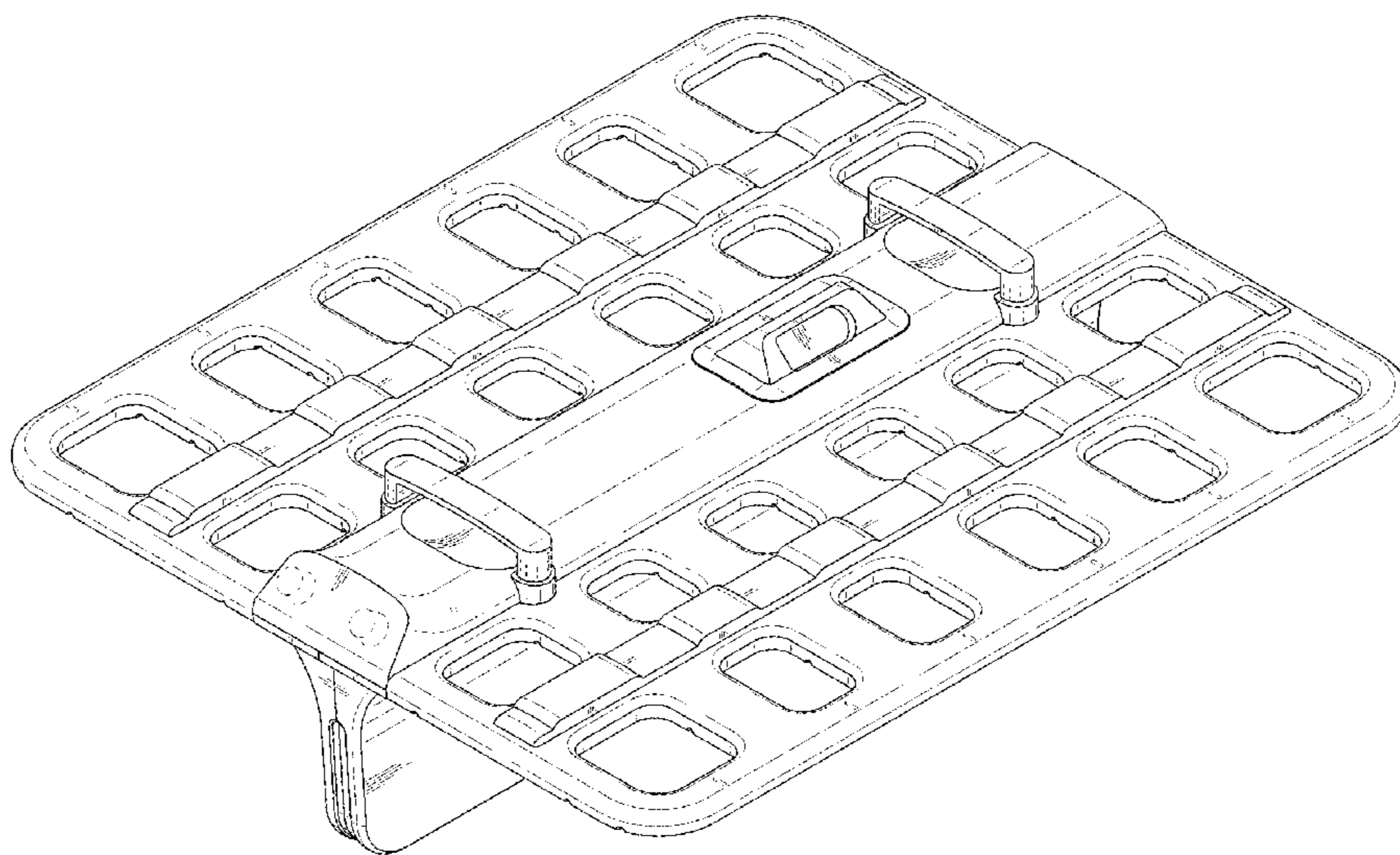


FIG. 1

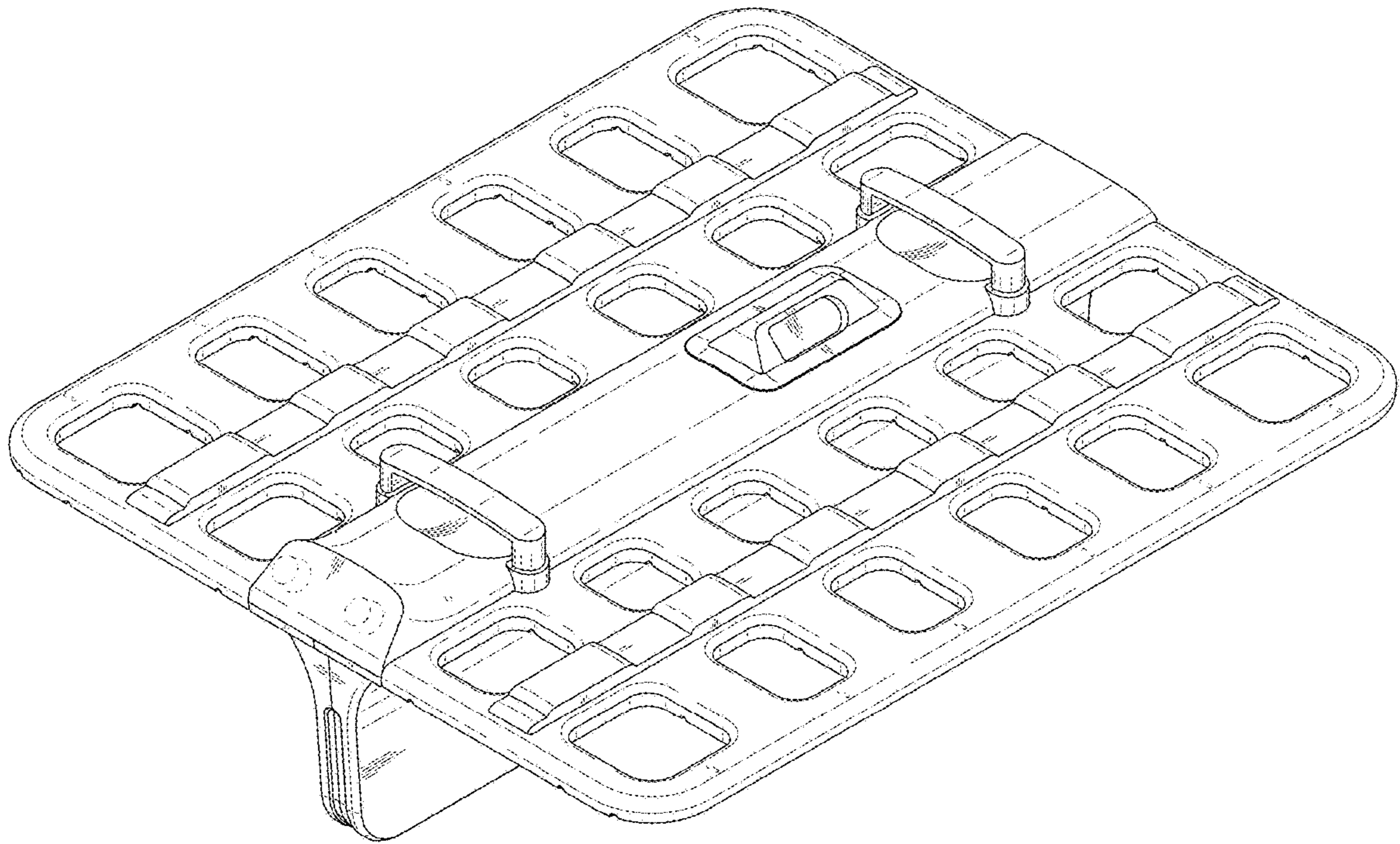


FIG. 2

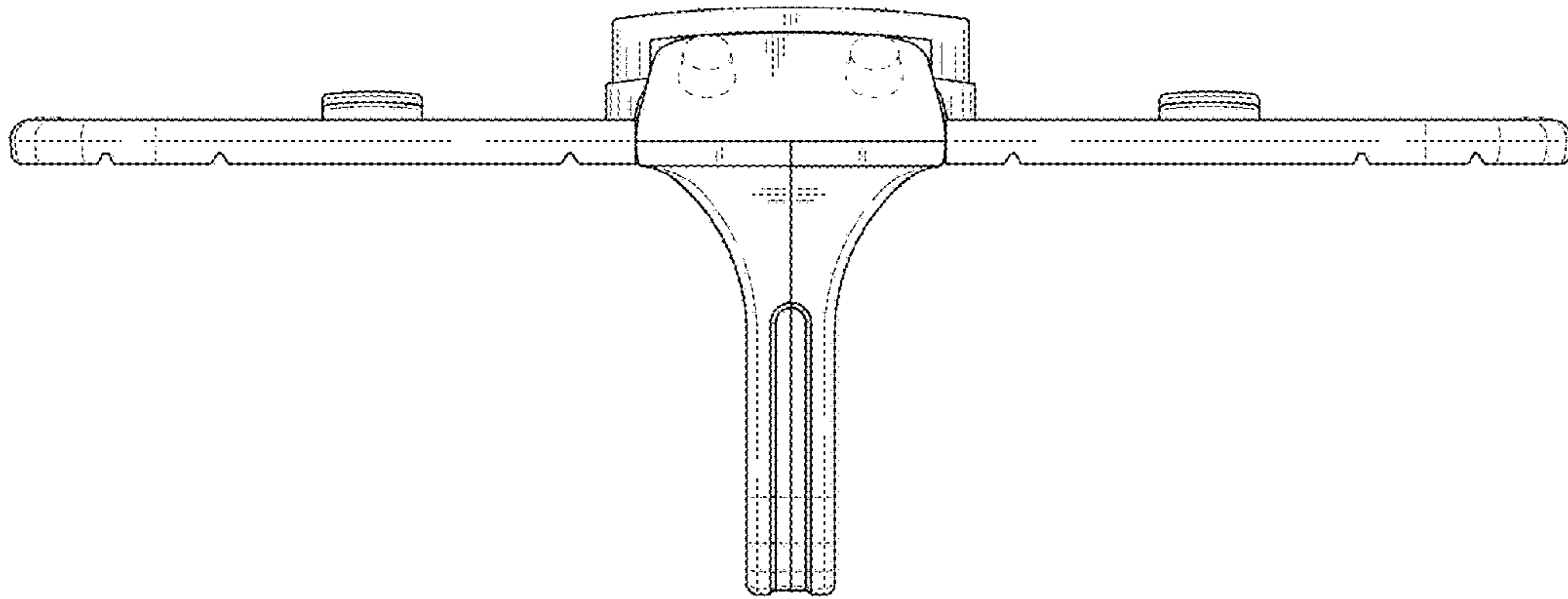


FIG. 3

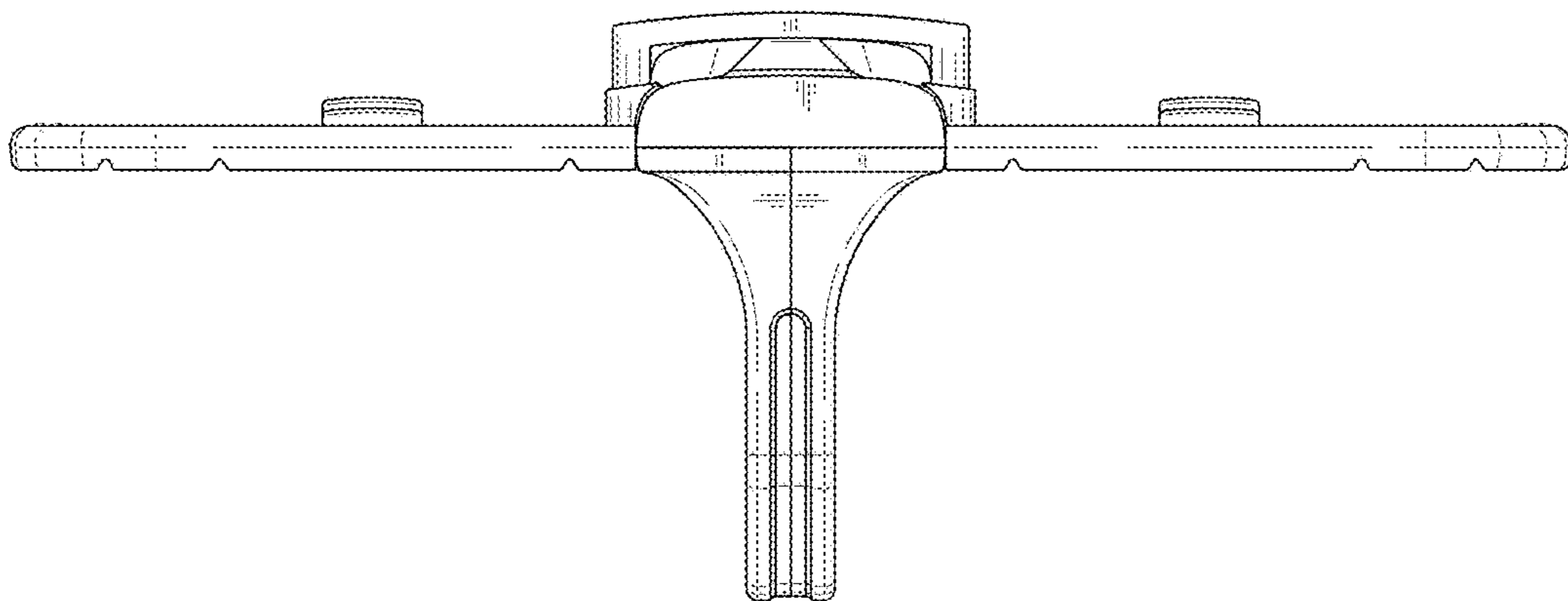


FIG. 4

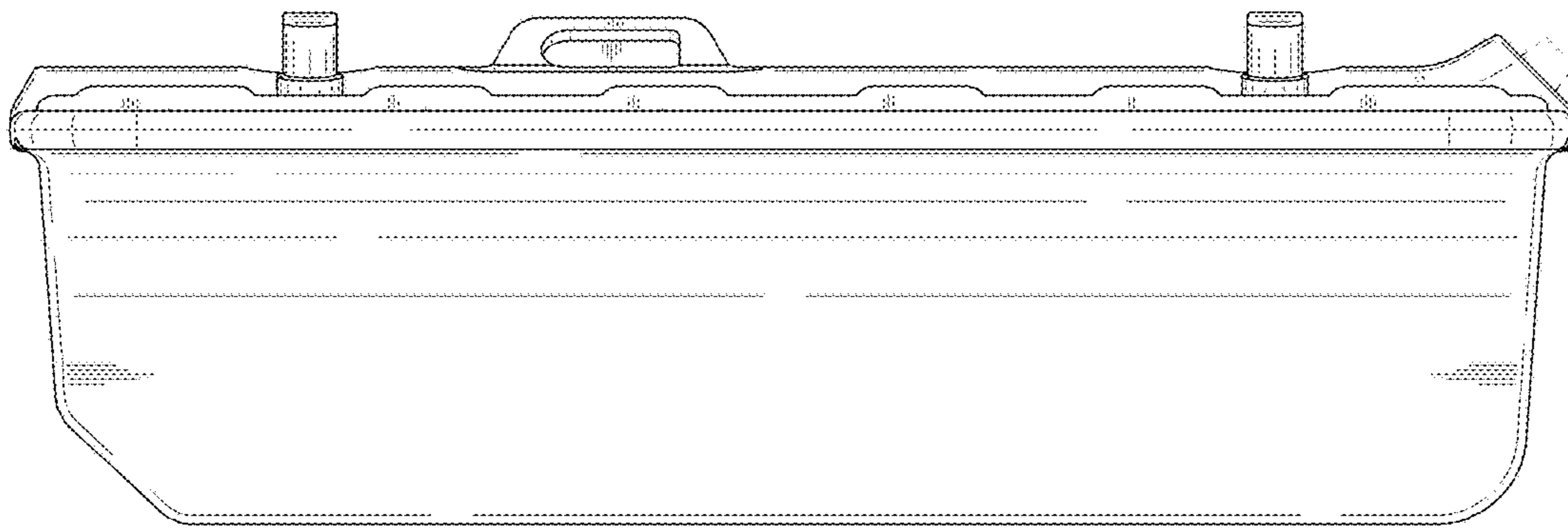


FIG. 5

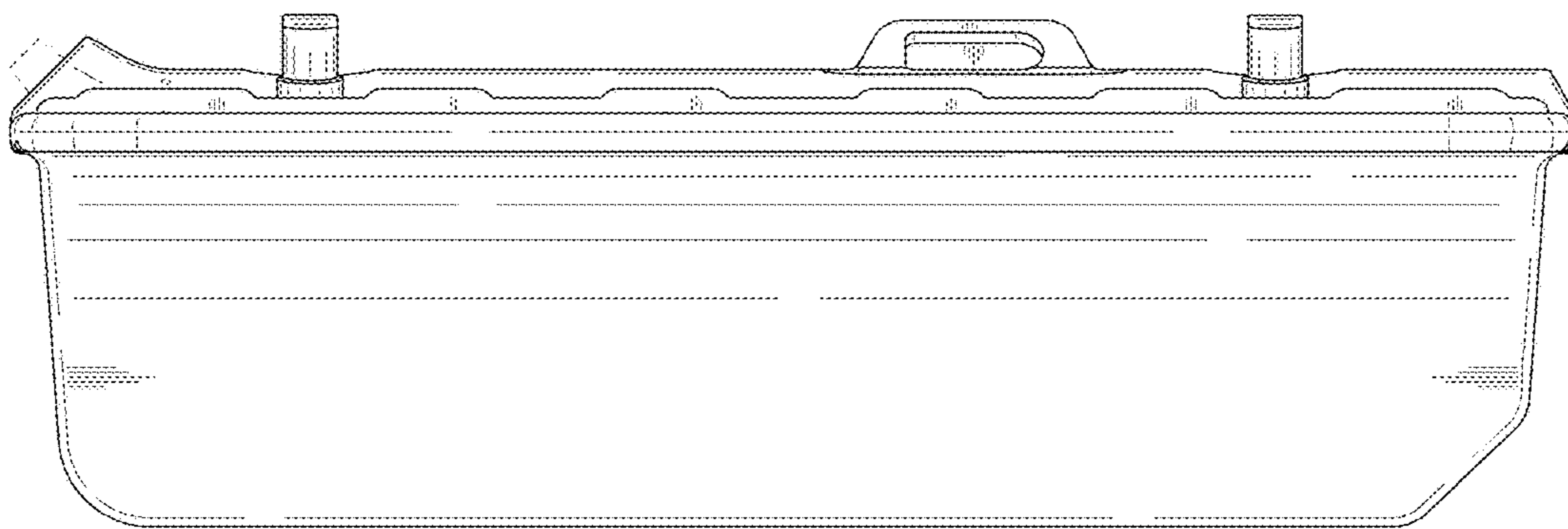


FIG. 6

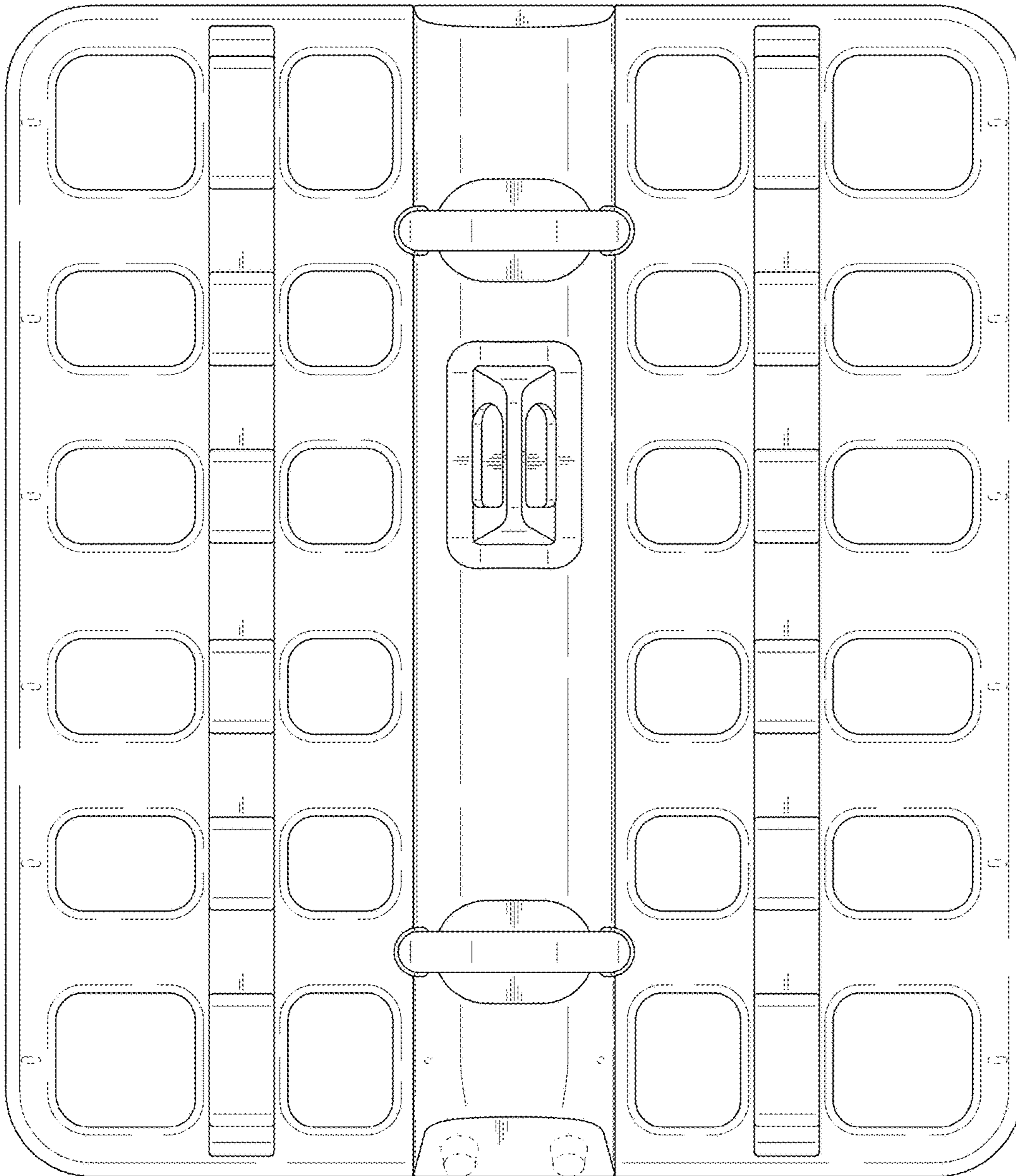


FIG. 7

