



US00D787678S

(12) **United States Design Patent**  
**Kim**

(10) **Patent No.:** **US D787,678 S**

(45) **Date of Patent:** **\*\* May 23, 2017**

(54) **X-RAY APPARATUS**

(71) Applicant: **Samsung Electronics Co., Ltd.**,  
Suwon-si (KR)

(72) Inventor: **Euisik Kim**, Seoul (KR)

(73) Assignee: **Samsung Electronics Co., Ltd.**,  
Suwon-si (KR)

(\*\*) Term: **15 Years**

(21) Appl. No.: **29/551,107**

(22) Filed: **Jan. 11, 2016**

(30) **Foreign Application Priority Data**

Sep. 8, 2015 (KR) ..... 30-2015-0045558

(51) **LOC (10) Cl.** ..... **24-01**

(52) **U.S. Cl.**  
USPC ..... **D24/158**

(58) **Field of Classification Search**

USPC ..... D24/158-161, 186, 107, 185; D14/371,  
D14/375, 376, 377, 126, 129

CPC .. A61B 5/05; A61B 5/055; A61B 6/03; A61B  
6/035; A61B 6/4405; A61B 6/4411; A61B  
6/4435; A61B 6/4441; A61B 6/4447;  
G06F 1/1601; H05K 5/0204

See application file for complete search history.

(56) **References Cited**

**U.S. PATENT DOCUMENTS**

D538,801 S \* 3/2007 Taylor ..... D14/371  
D540,761 S \* 4/2007 Macey ..... D14/126

D551,347 S \* 9/2007 Baba ..... D24/158  
D566,660 S \* 4/2008 Ludwig ..... D13/162  
D671,216 S \* 11/2012 Moon ..... D24/158  
D671,217 S \* 11/2012 Moon ..... D24/158  
D681,814 S 5/2013 Nenoki  
D702,351 S \* 4/2014 Li ..... D24/158  
D714,448 S \* 9/2014 Sul ..... D24/158  
D723,699 S 3/2015 Landis et al.  
D723,700 S \* 3/2015 Landis ..... D24/186  
2011/0317816 A1 \* 12/2011 Bechard ..... A61B 6/00  
378/98.8

**FOREIGN PATENT DOCUMENTS**

EM 000734553-0004 9/2007

\* cited by examiner

*Primary Examiner* — Anhdao Doan

(74) *Attorney, Agent, or Firm* — NSIP Law

(57) **CLAIM**

I claim the ornamental design for an x-ray apparatus, as shown and described.

**DESCRIPTION**

FIG. 1 is a front perspective view of an x-ray apparatus showing my new design;

FIG. 2 is a front view thereof;

FIG. 3 is a rear view thereof;

FIG. 4 is a left-side view thereof;

FIG. 5 is a right-side view thereof;

FIG. 6 is a top view thereof;

FIG. 7 is a bottom view thereof; and,

FIG. 8 is a rear perspective view thereof.

The broken lines in the figures depict portions of the x-ray apparatus which form no part of the claimed design.

**1 Claim, 8 Drawing Sheets**

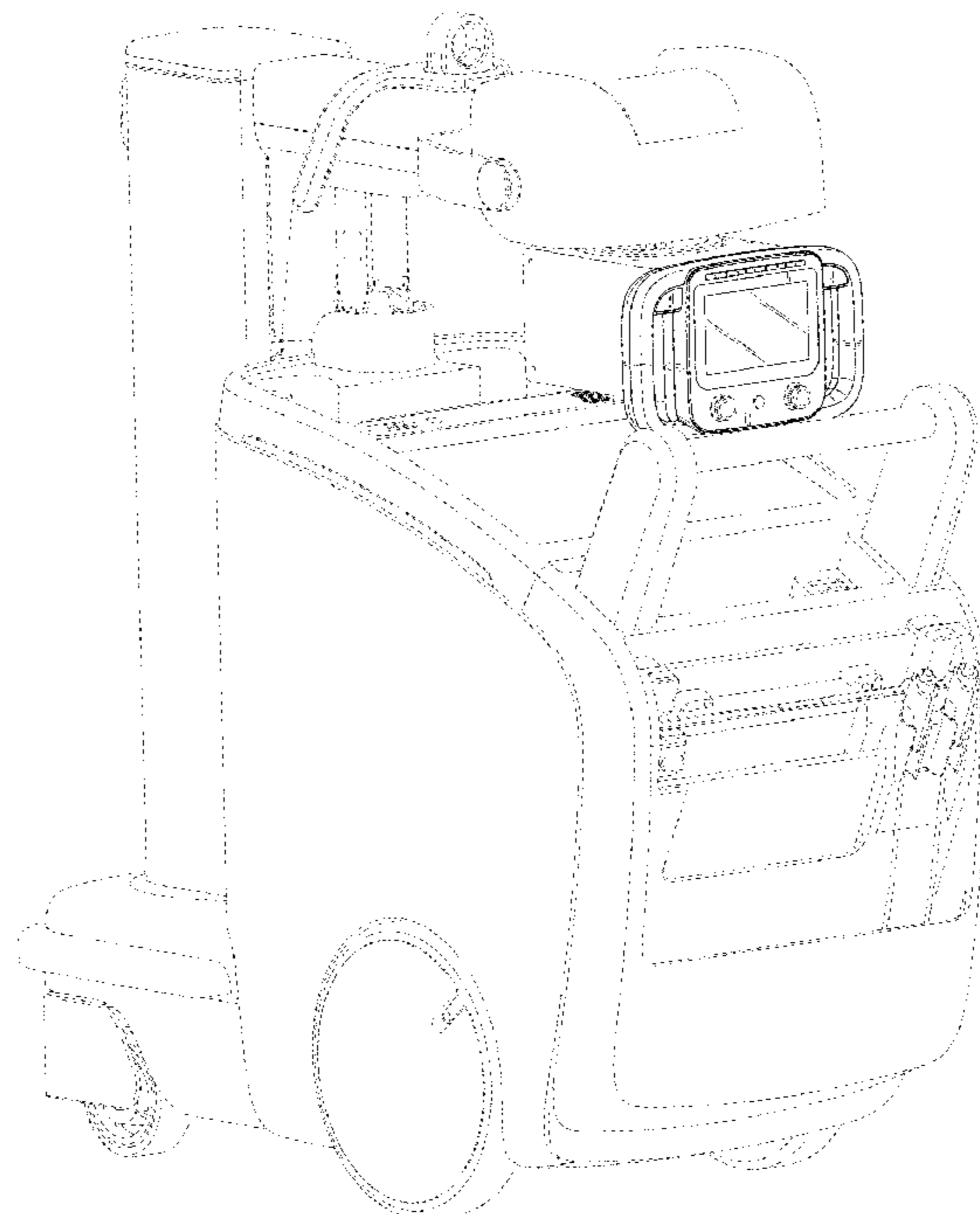


FIG. 1

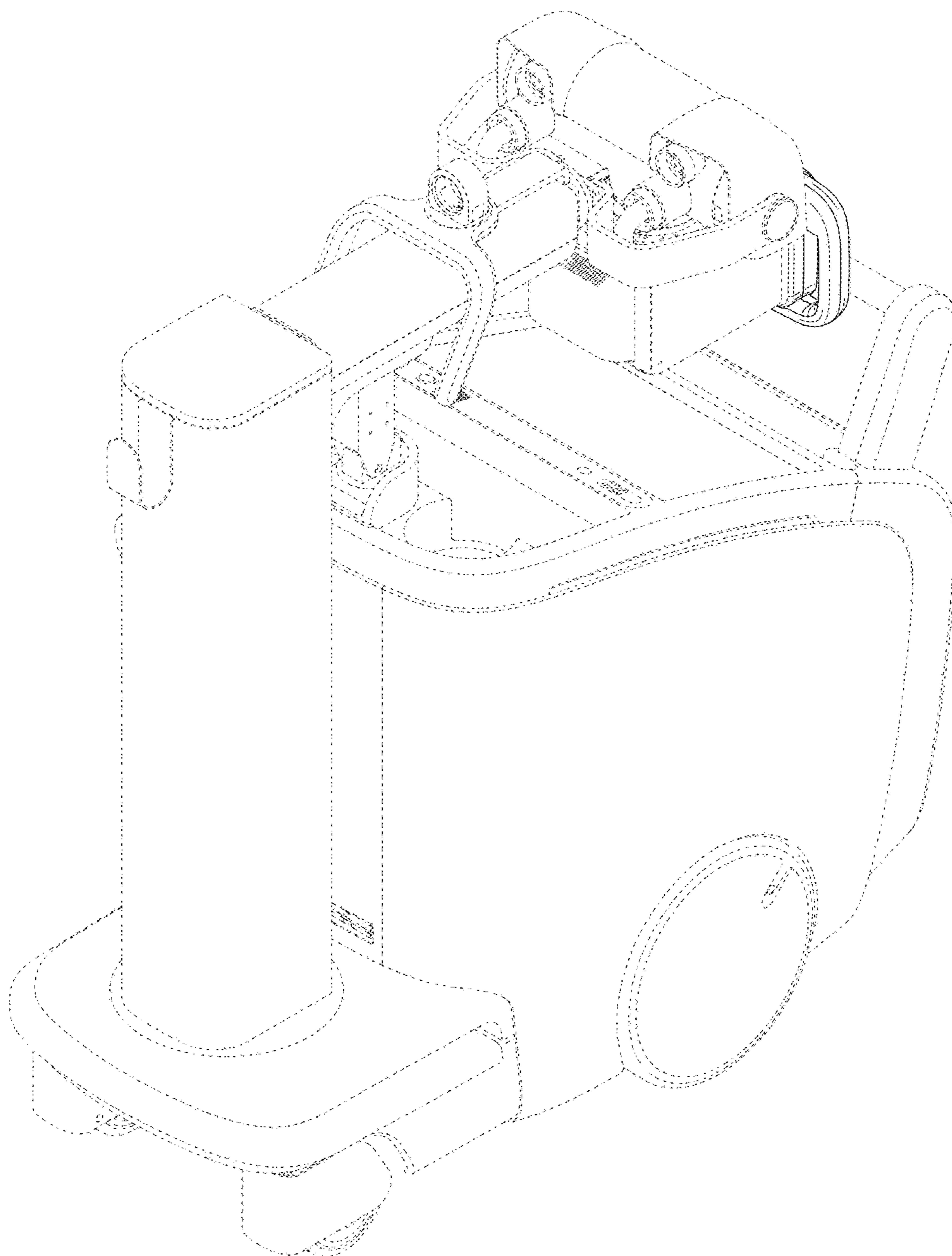


FIG. 2

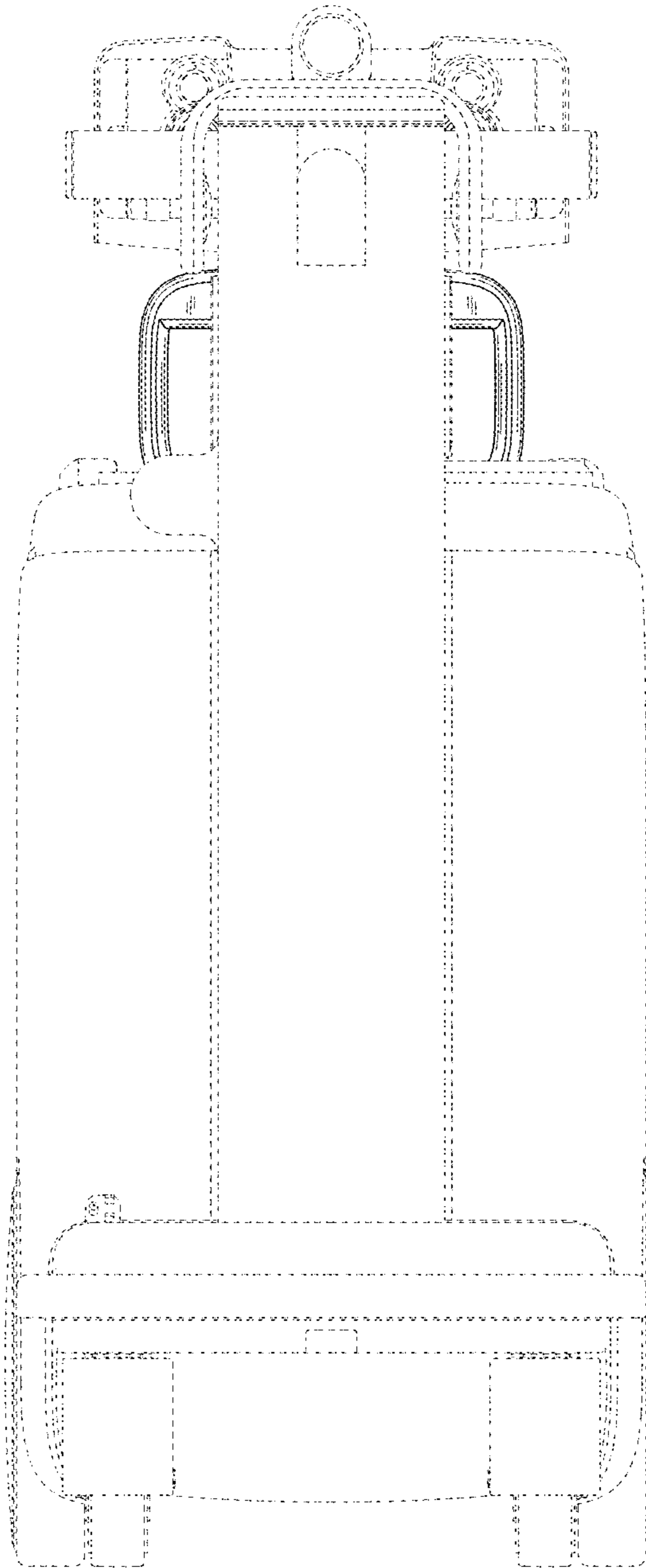


FIG. 3

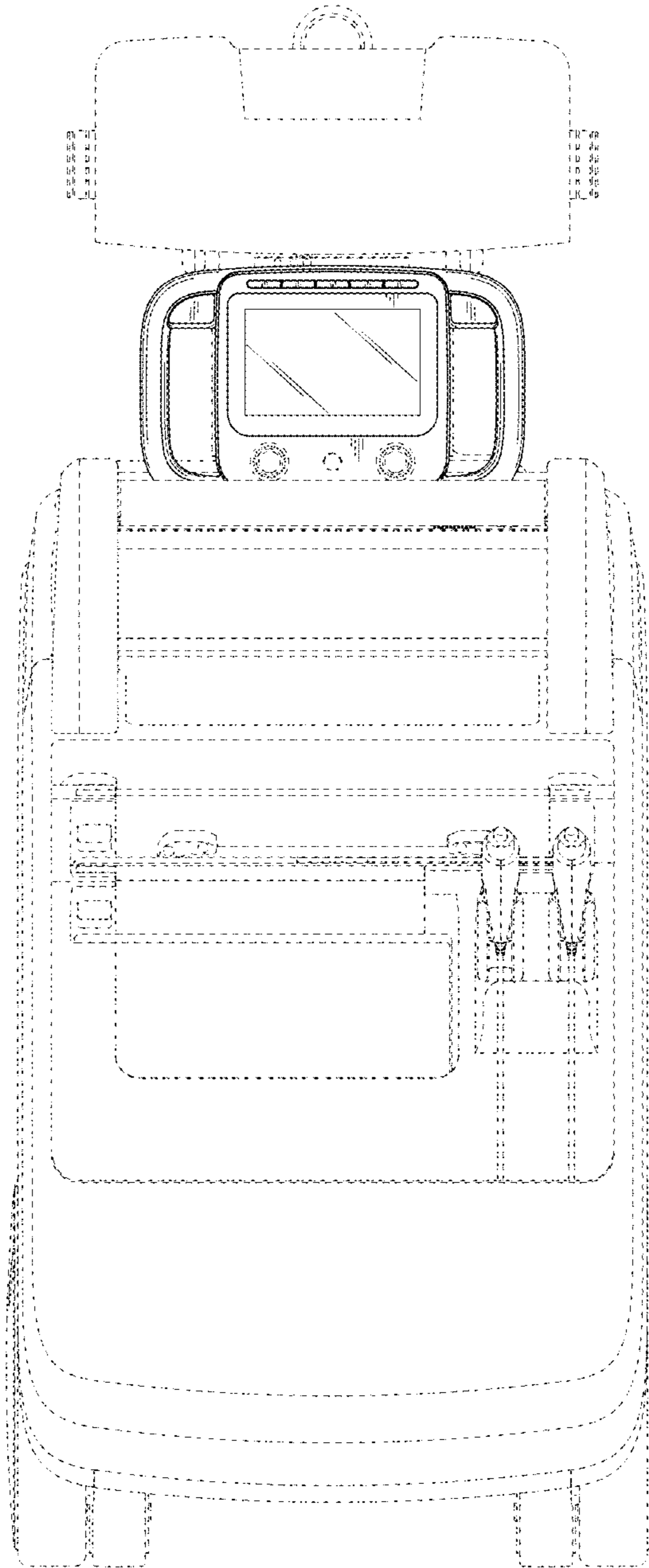


FIG. 4

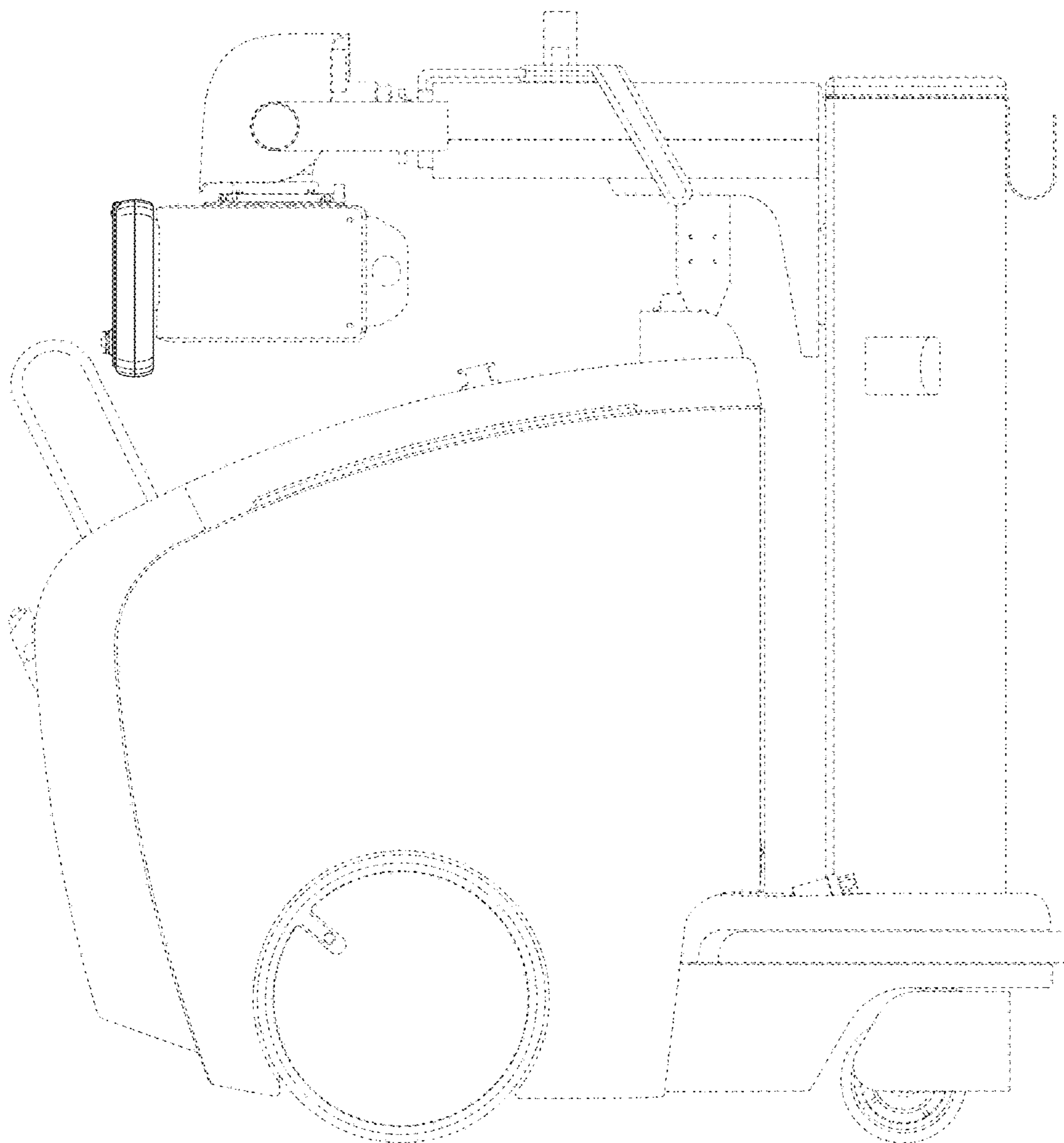


FIG. 5

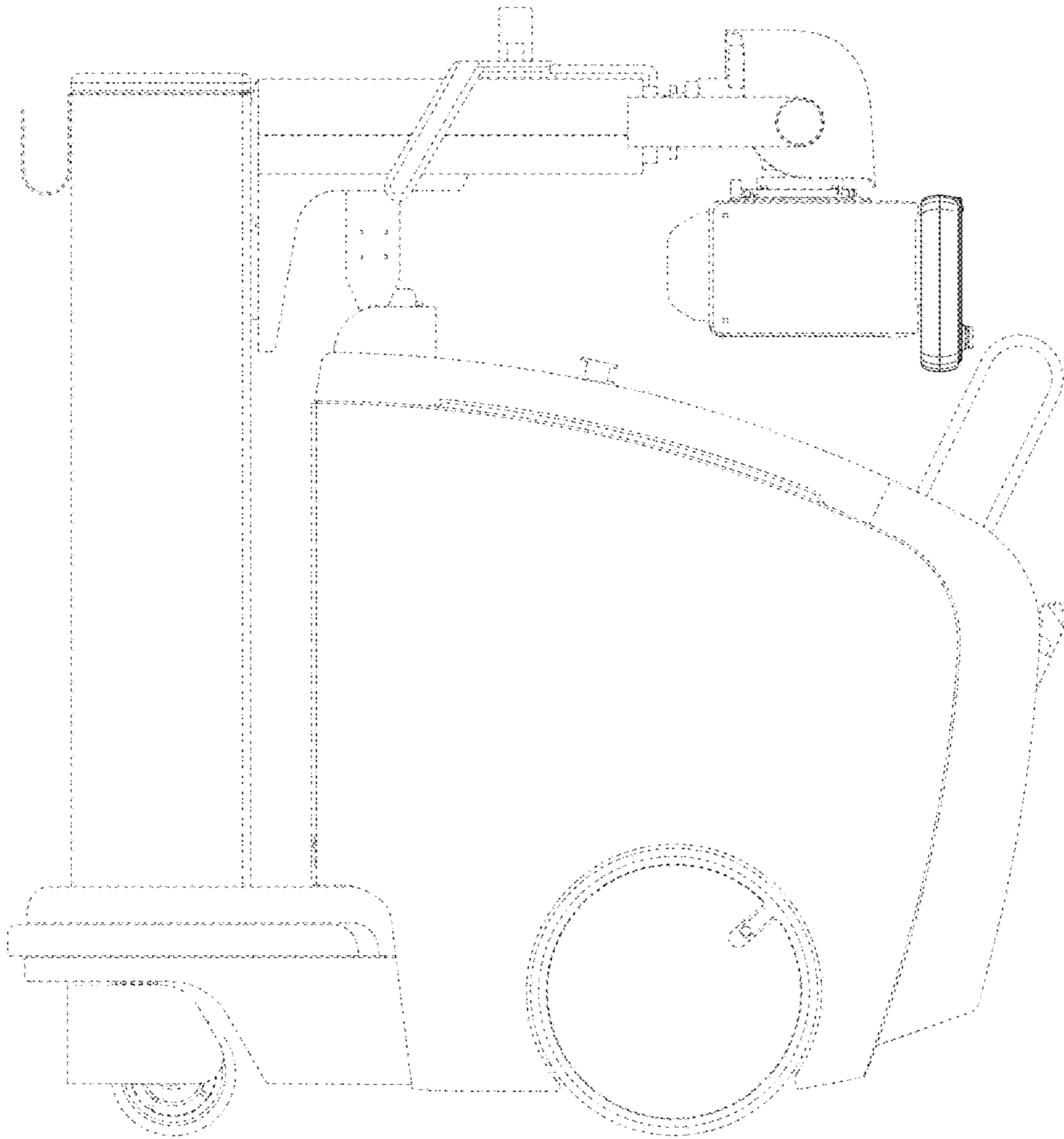


FIG. 6

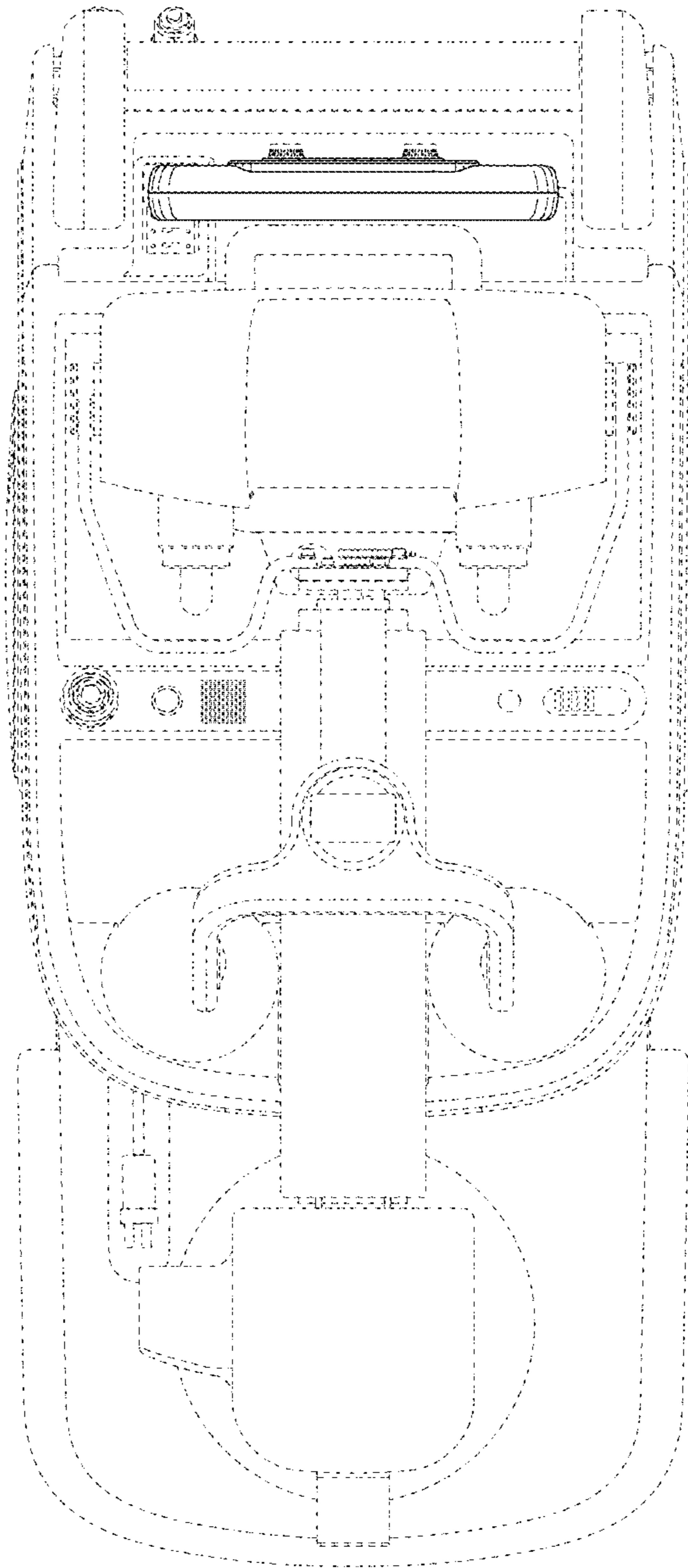


FIG. 7

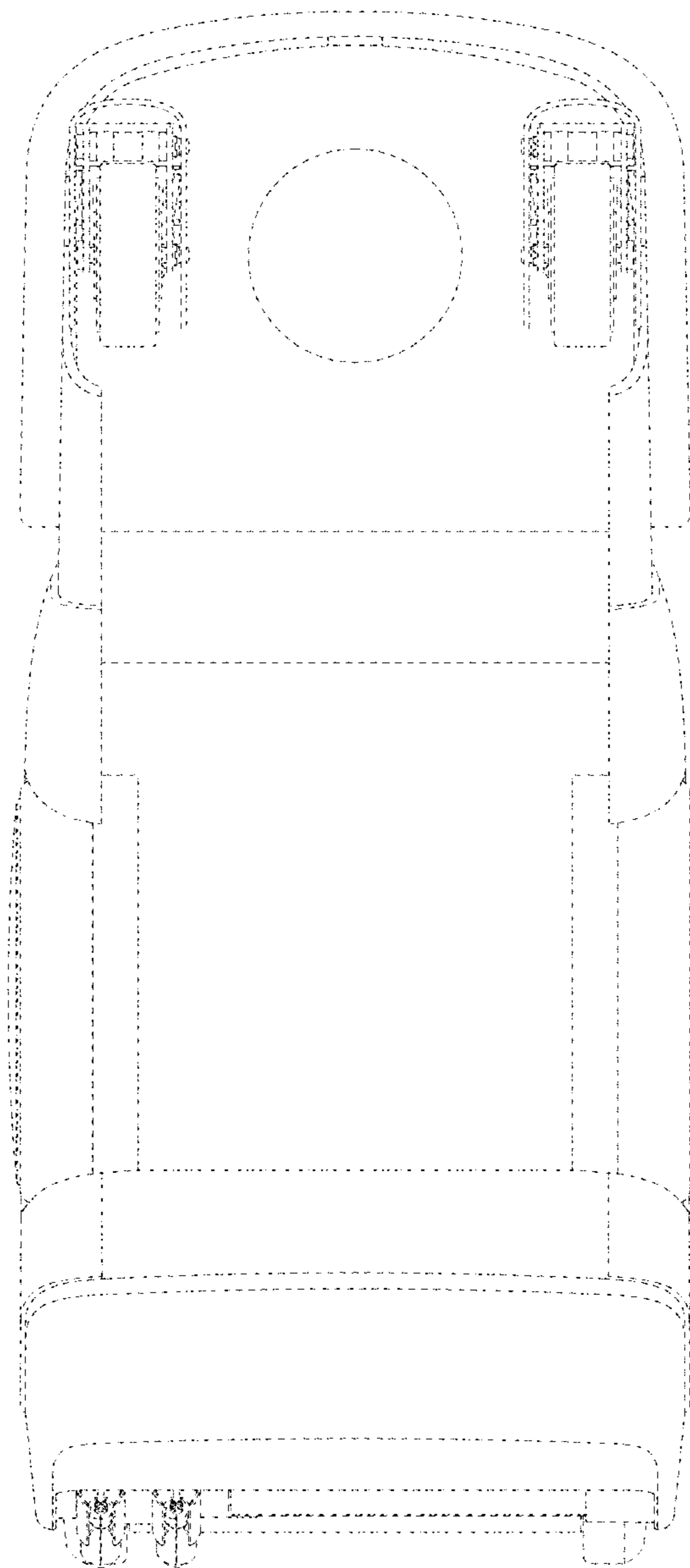




FIG. 8

